



US00D339618S

United States Patent [19]
Hassell

[11] **Patent Number: Des. 339,618**
[45] **Date of Patent: ** Sep. 21, 1993**

[54] **SIT-UP EXERCISER**

[76] **Inventor: Valerie Hassell, 25412 Maywood,
Woodhaven, Mich. 48183**

[**] **Term: 14 Years**

[21] **Appl. No.: 827,830**

[22] **Filed: Jan. 28, 1992**

[52] **U.S. Cl. D21/191**

[58] **Field of Search D21/191, 195; 482/140,
482/142, 144, 145**

3,596,906 8/1971 Parmer D21/191
4,241,915 12/1980 Noble et al. 482/140
4,341,378 7/1982 Agyagos D21/191
4,508,335 4/1985 Kelley et al. 482/145

Primary Examiner—Bernard Ansher
Assistant Examiner—Philip Hyder
Attorney, Agent, or Firm—Terry M. Gernstein

[57] **CLAIM**

The ornamental design for a sit-up exerciser, as shown and described.

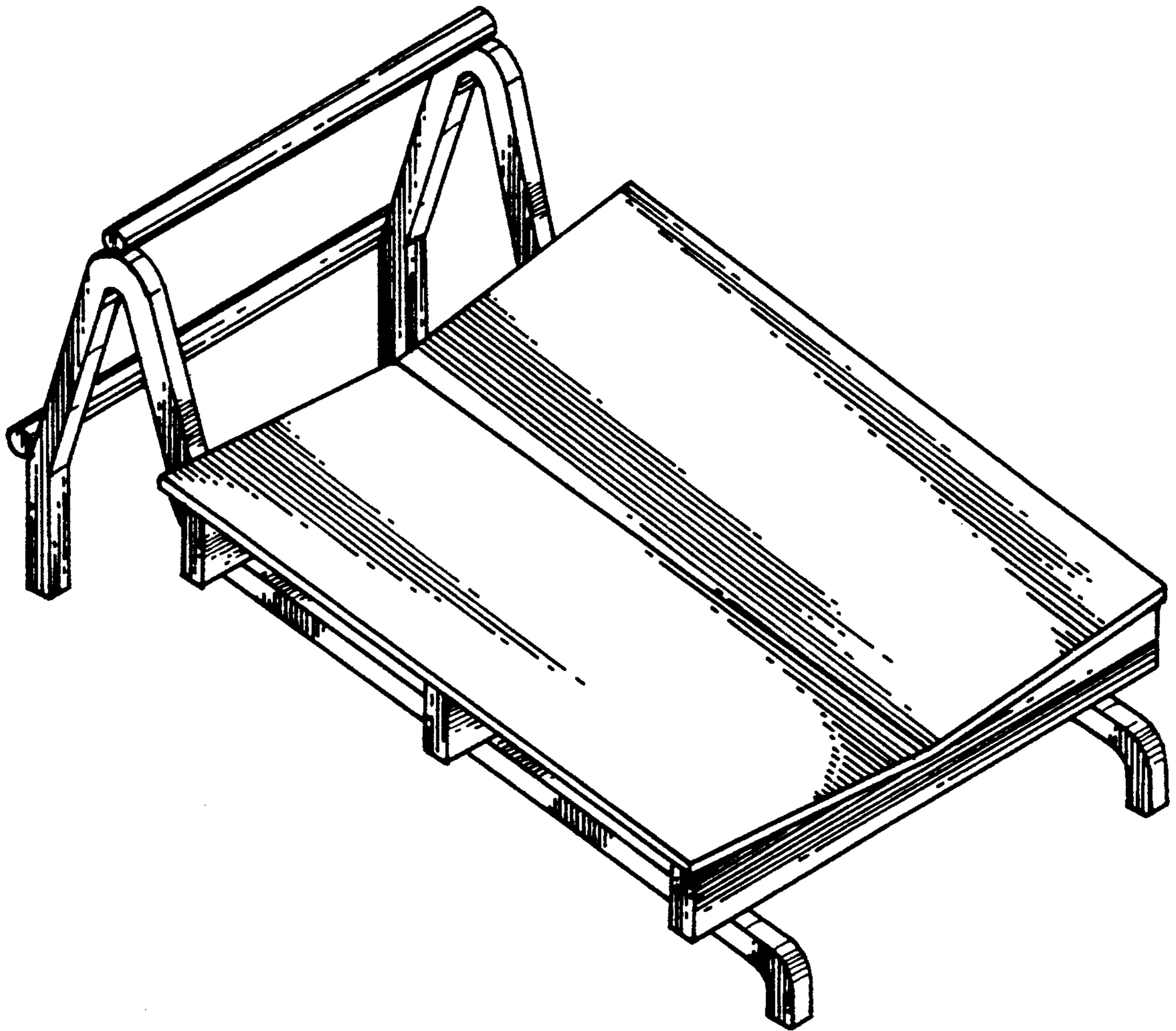
DESCRIPTION

FIG. 1 is a perspective view of a sit-up exerciser, showing my new design;
FIG. 2 is a front elevational view thereof, the rear being a mirror image of the front shown in FIG. 2;
FIG. 3 is a left side elevational view thereof;
FIG. 4 is a right side elevational view thereof;
FIG. 5 is a top plan view thereof; and,
FIG. 6 is a bottom view thereof.

[56] **References Cited**

U.S. PATENT DOCUMENTS

D. 193,940	10/1962	Campion	482/145
D. 254,562	3/1980	Pearo	D21/195
D. 275,213	8/1984	Johnson	D21/191
D. 300,045	2/1989	Grider	D21/191
2,240,228	4/1941	Schall	482/145
2,362,111	11/1944	Burns	482/140



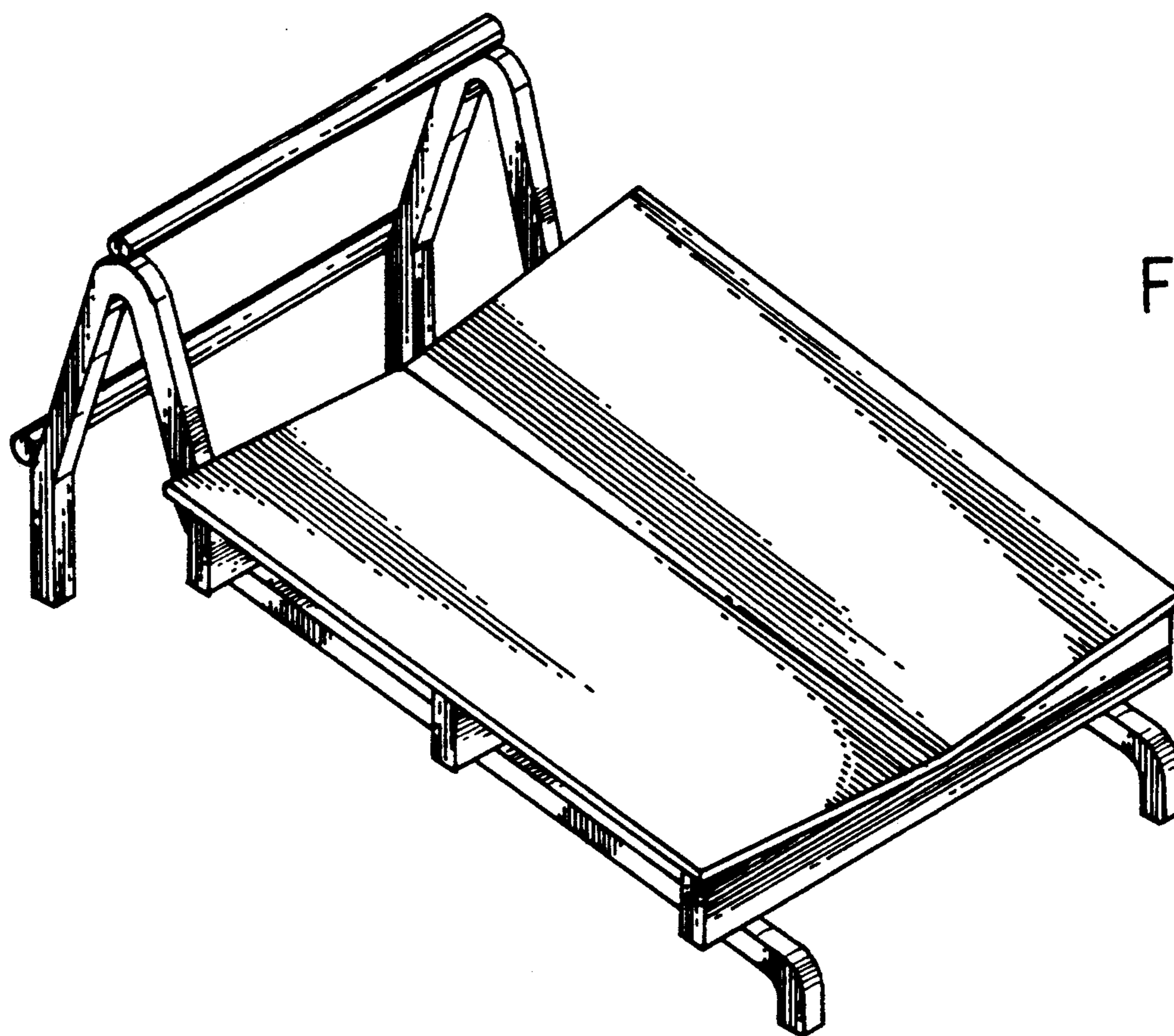


FIG. 1

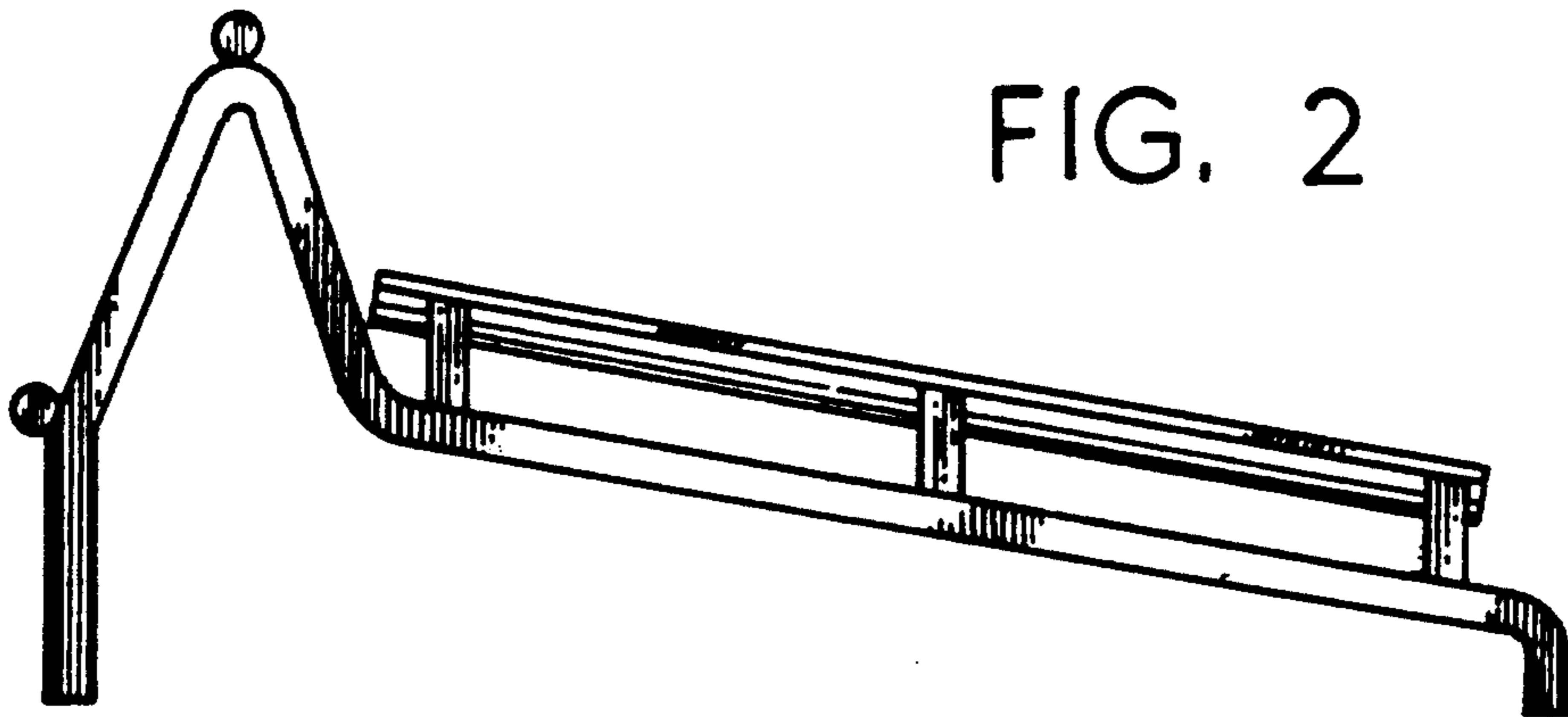


FIG. 2

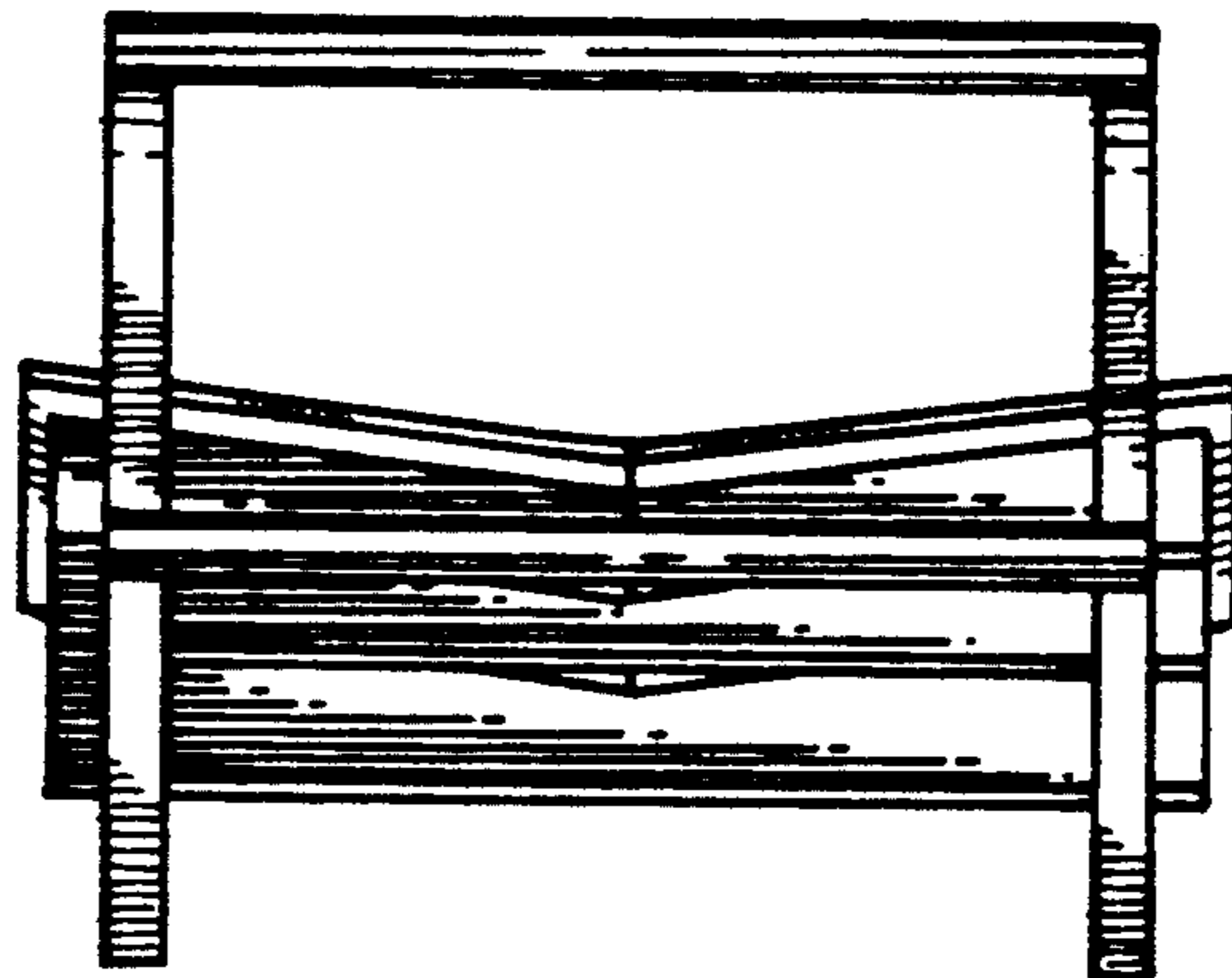


FIG. 3

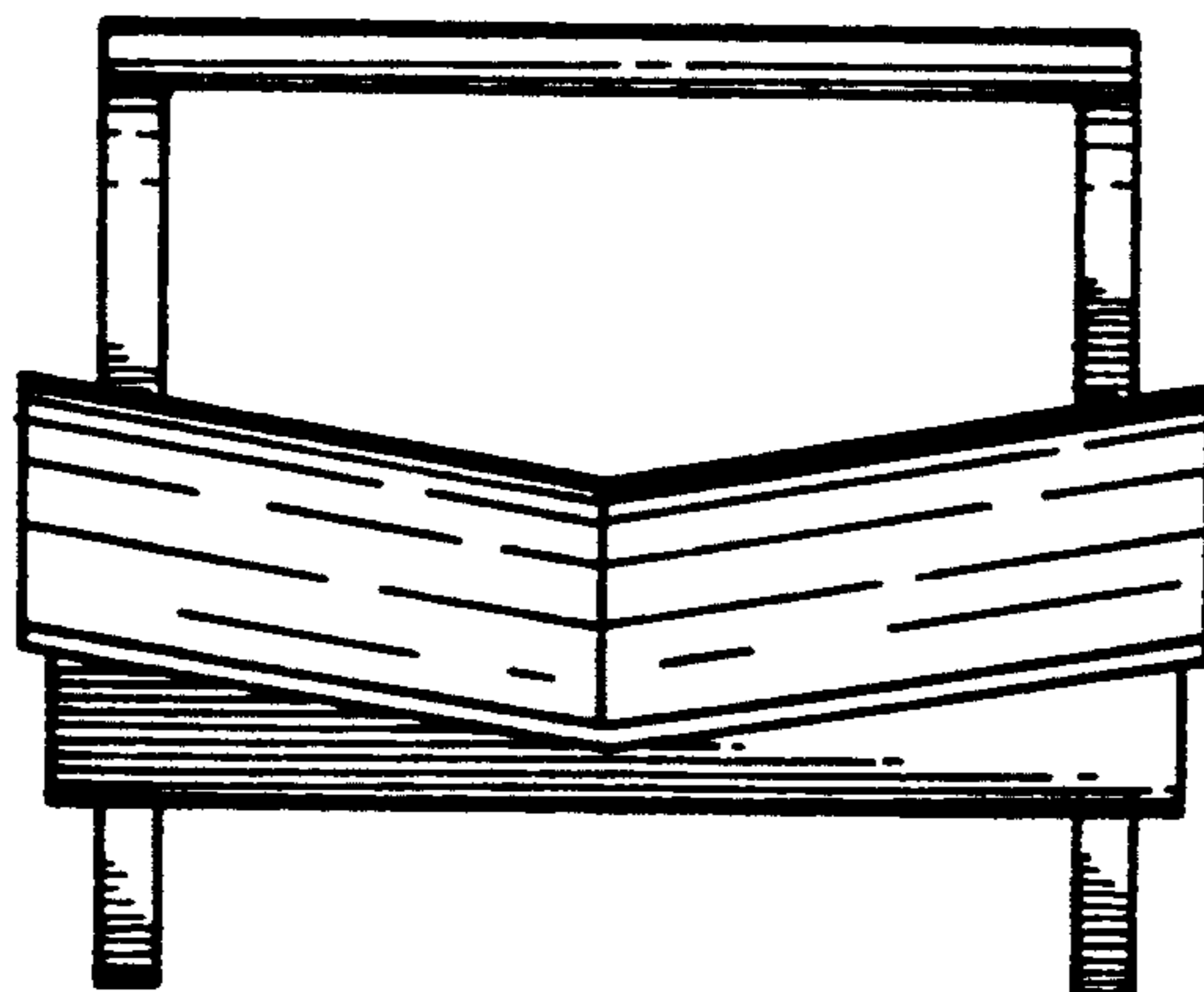


FIG. 4

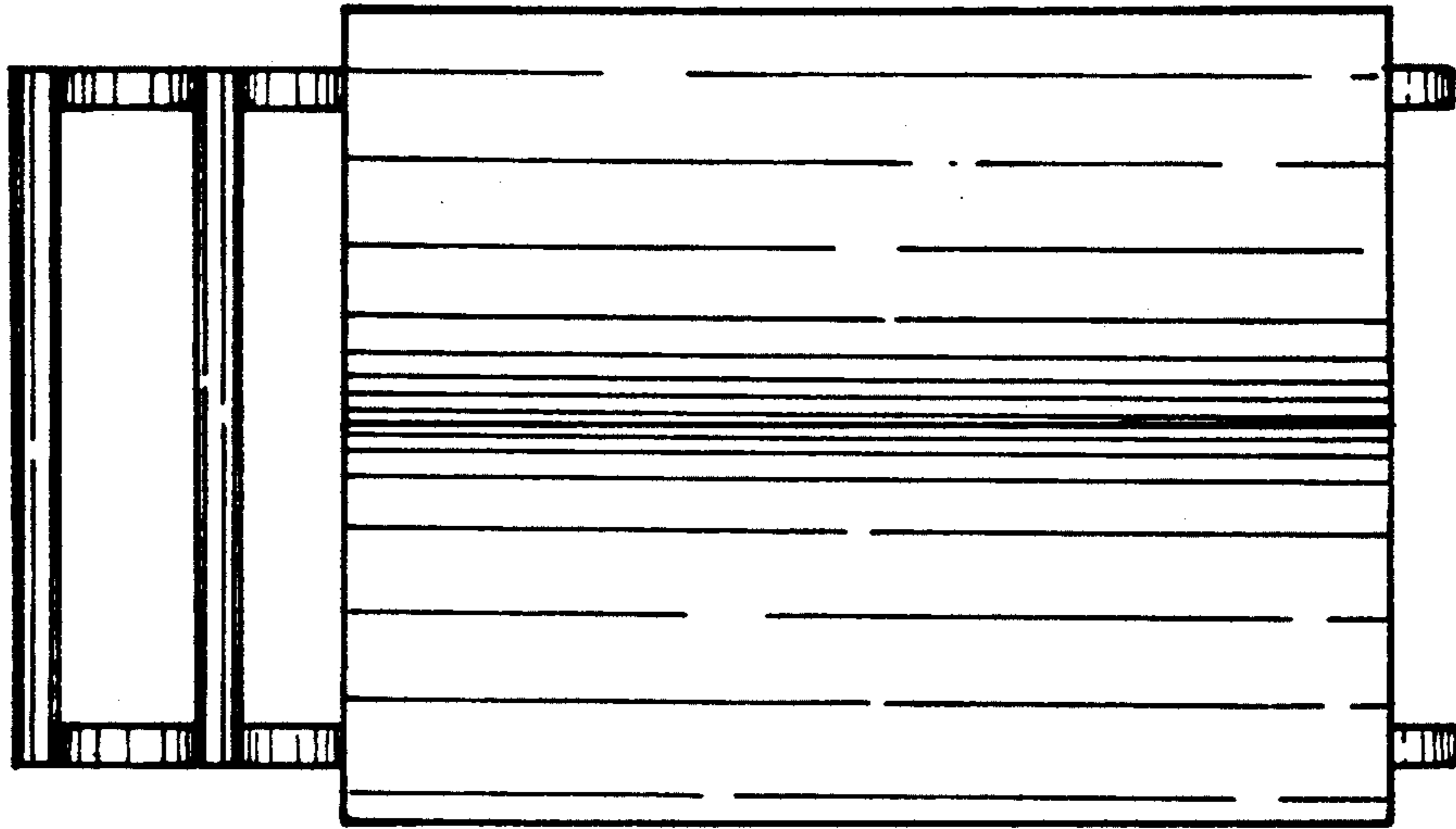


FIG. 5

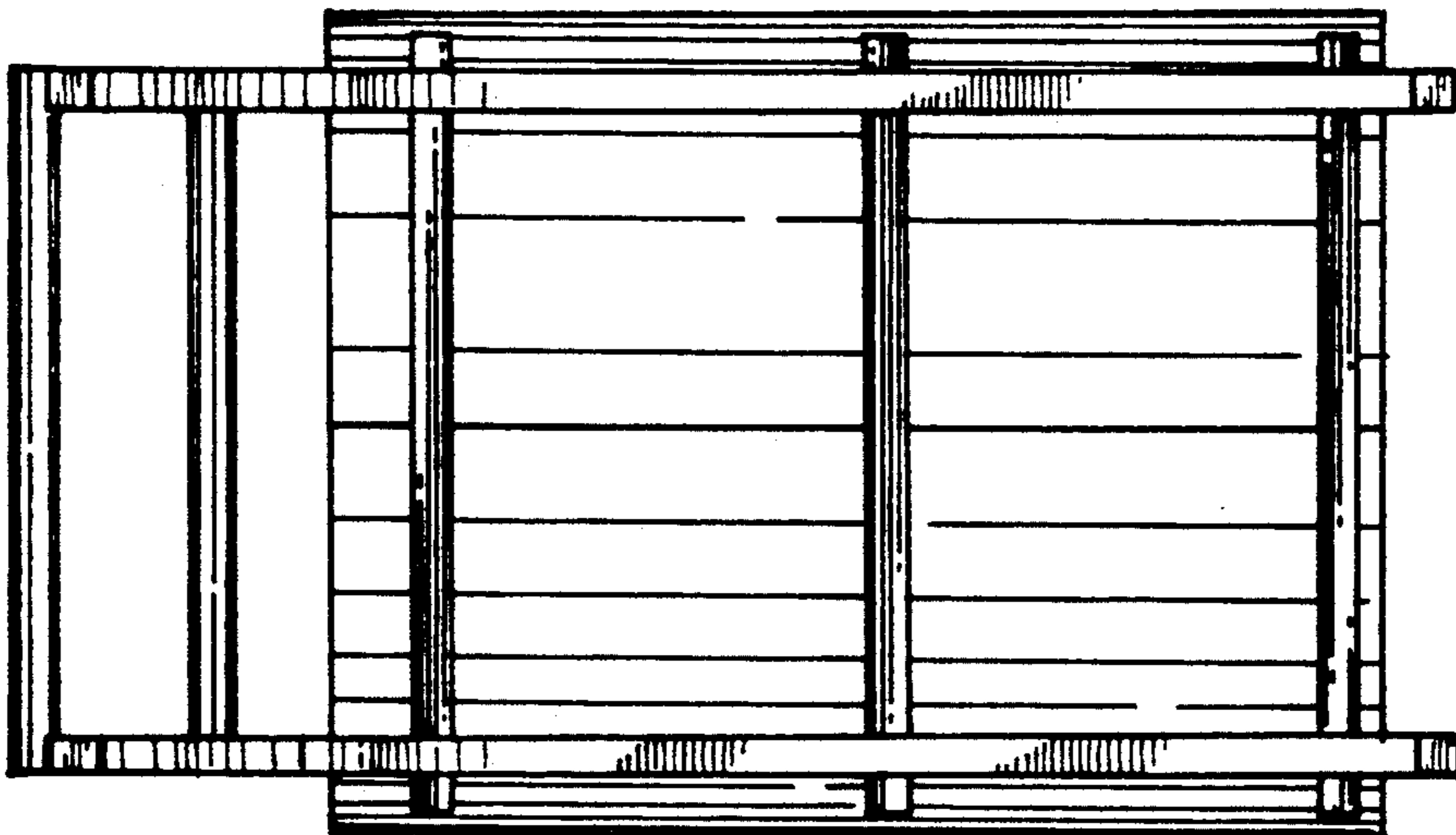


FIG. 6