



US00D339617S

United States Patent [19]

Harashima

[11] Patent Number: Des. 339,617

[45] Date of Patent: ** Sep. 21, 1993

[54] PHYSICAL EXERCISER

[76] Inventor: Tooru Harashima, 22-banchi, Oota
2-chome, Yao-shi, Osaka, Japan

[**] Term: 14 Years

[21] Appl. No.: 777,896

[22] Filed: Oct. 16, 1991

[52] U.S. Cl. D21/191

[58] Field of Search D21/191, 195; 482/140,
482/142, 144, 145, 130

4,241,915 12/1980 Noble et al. 482/145
4,546,967 10/1985 Kecala 482/145
4,911,438 3/1990 Van Straaten 482/130

Primary Examiner—Bernard Ansher
Assistant Examiner—Philip Hyder
Attorney, Agent, or Firm—Armstrong, Westerman,
Hattori, McLeland & Naughton

[57] CLAIM

The ornamental design for a physical exerciser, as shown.

DESCRIPTION

FIG. 1 is a perspective view of the physical exerciser; FIG. 2 is a front elevational view thereof; FIG. 3 is a right side elevational view thereof; FIG. 4 is a rear elevational view thereof; FIG. 5 is a top plan view thereof; and, FIG. 6 is a bottom plan view thereof. The left side elevational view is a mirror image of the right side view shown in FIG. 3.

[56] References Cited

U.S. PATENT DOCUMENTS

D. 254,562	3/1980	Pearo	D21/195
D. 277,219	1/1985	Johnson	D21/191
D. 300,337	3/1989	Brentham	D21/195
D. 322,730	12/1991	Taltre	D21/191
2,240,228	4/1941	Schall	482/145
3,709,487	1/1973	Walker	482/130

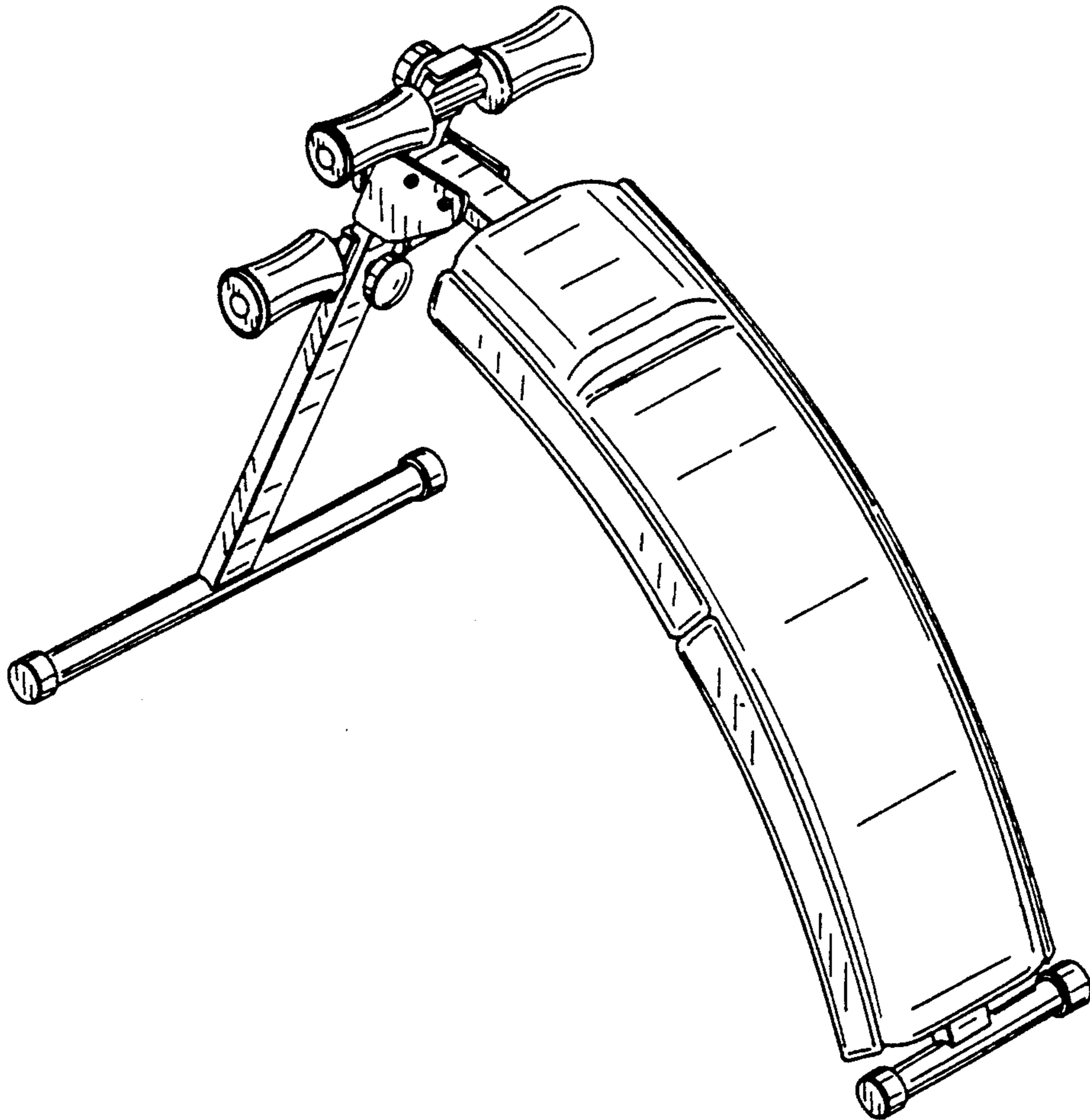


Fig. 1

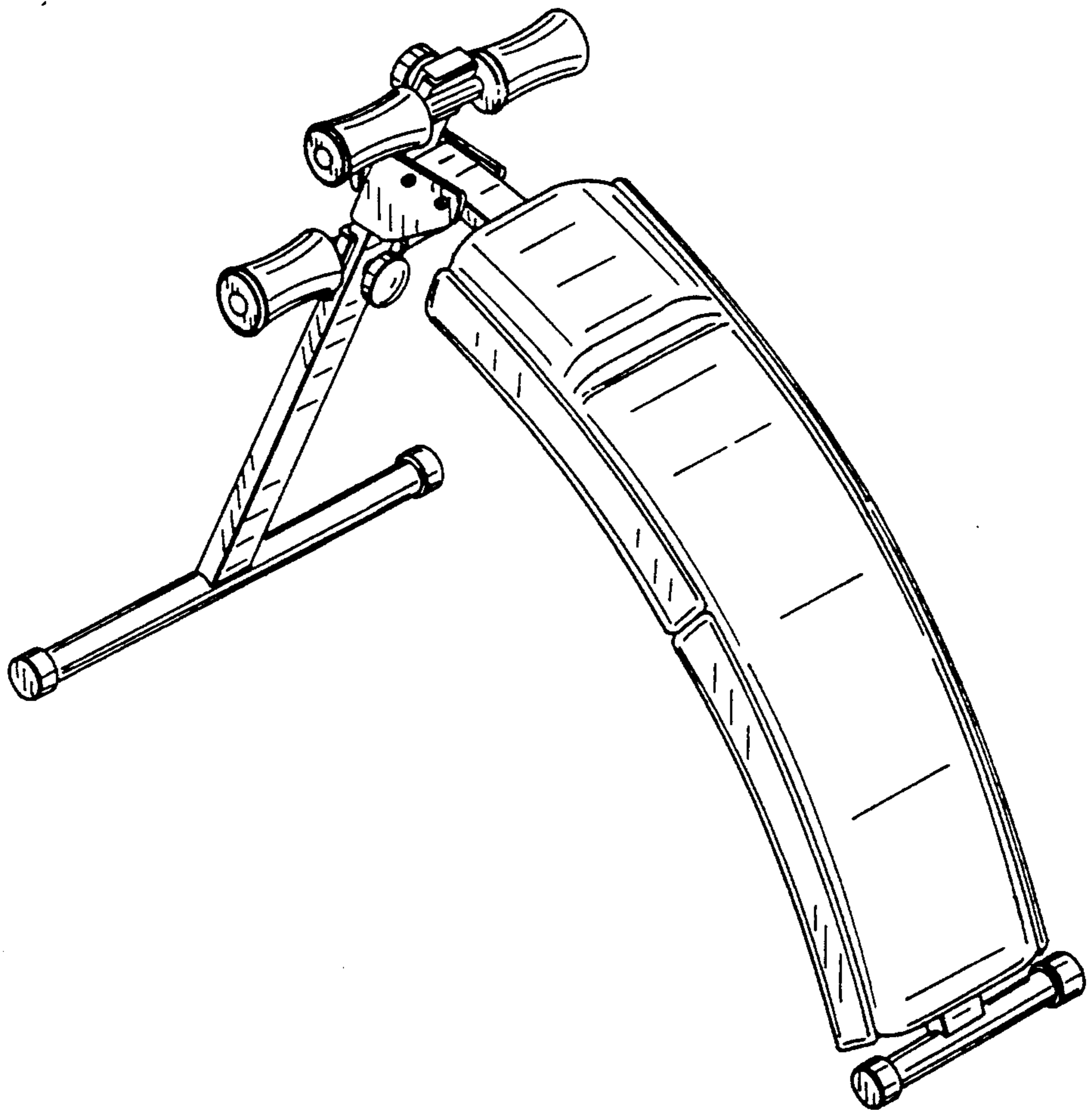


Fig. 2

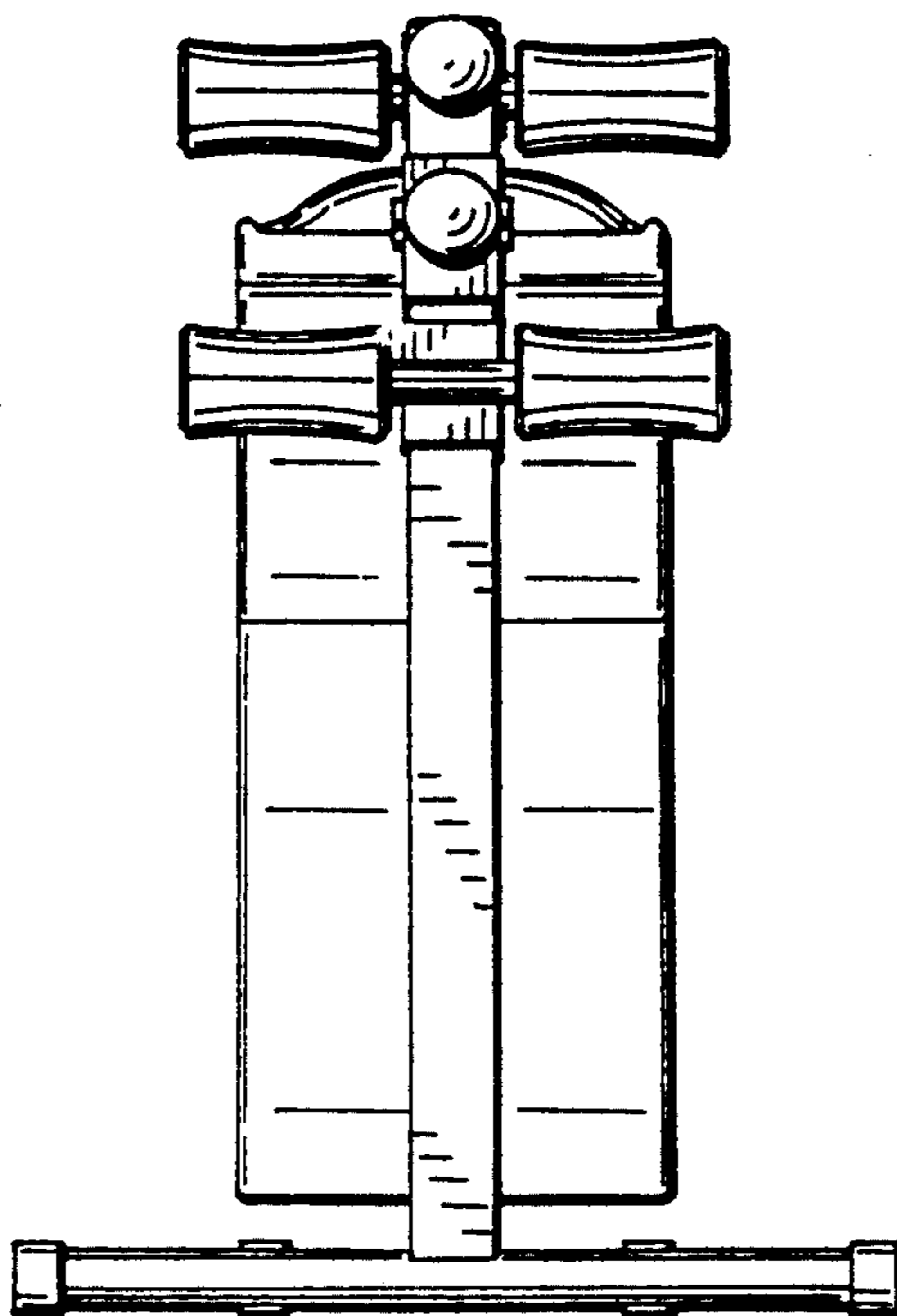


Fig. 3

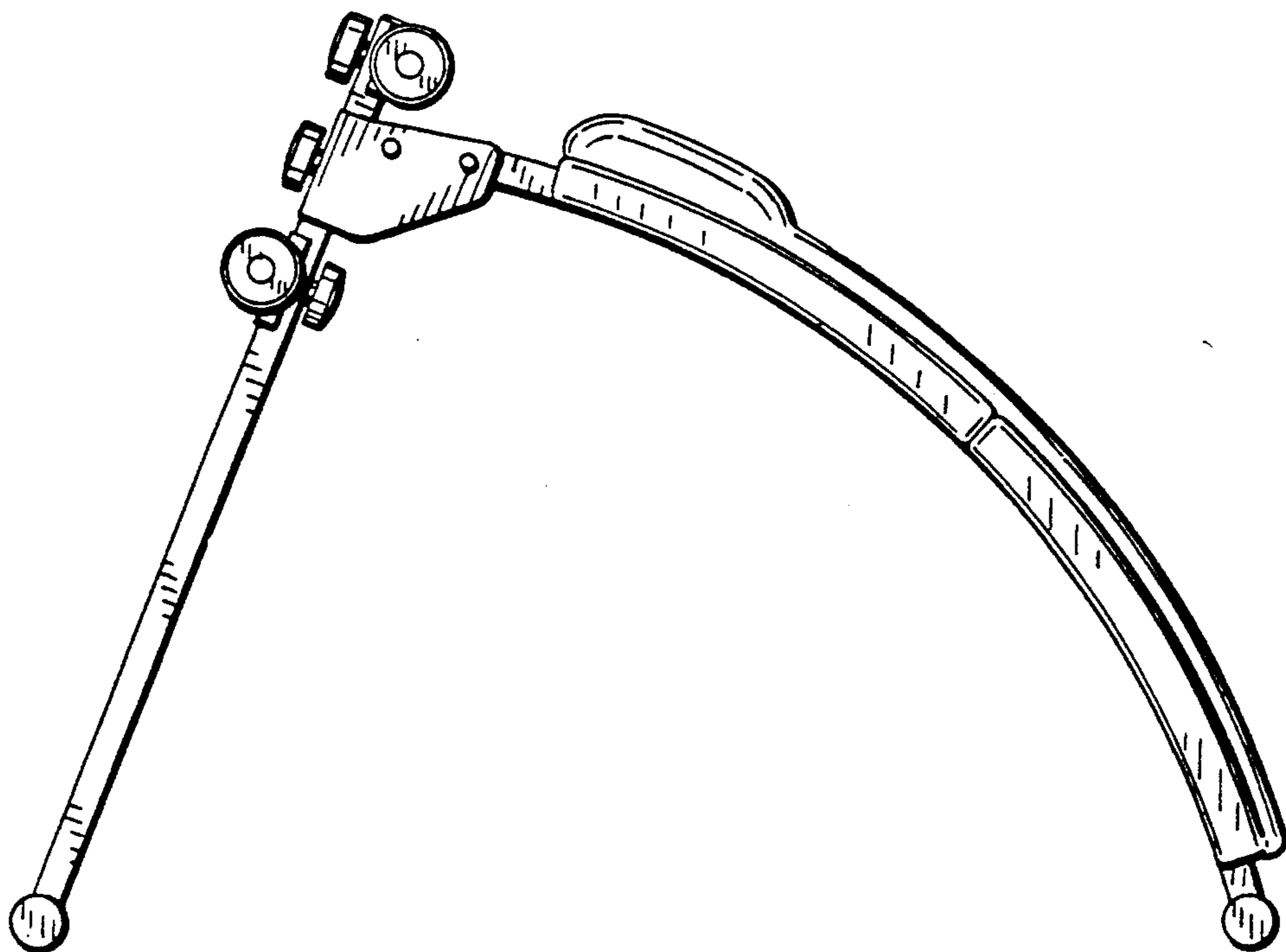


Fig. 4

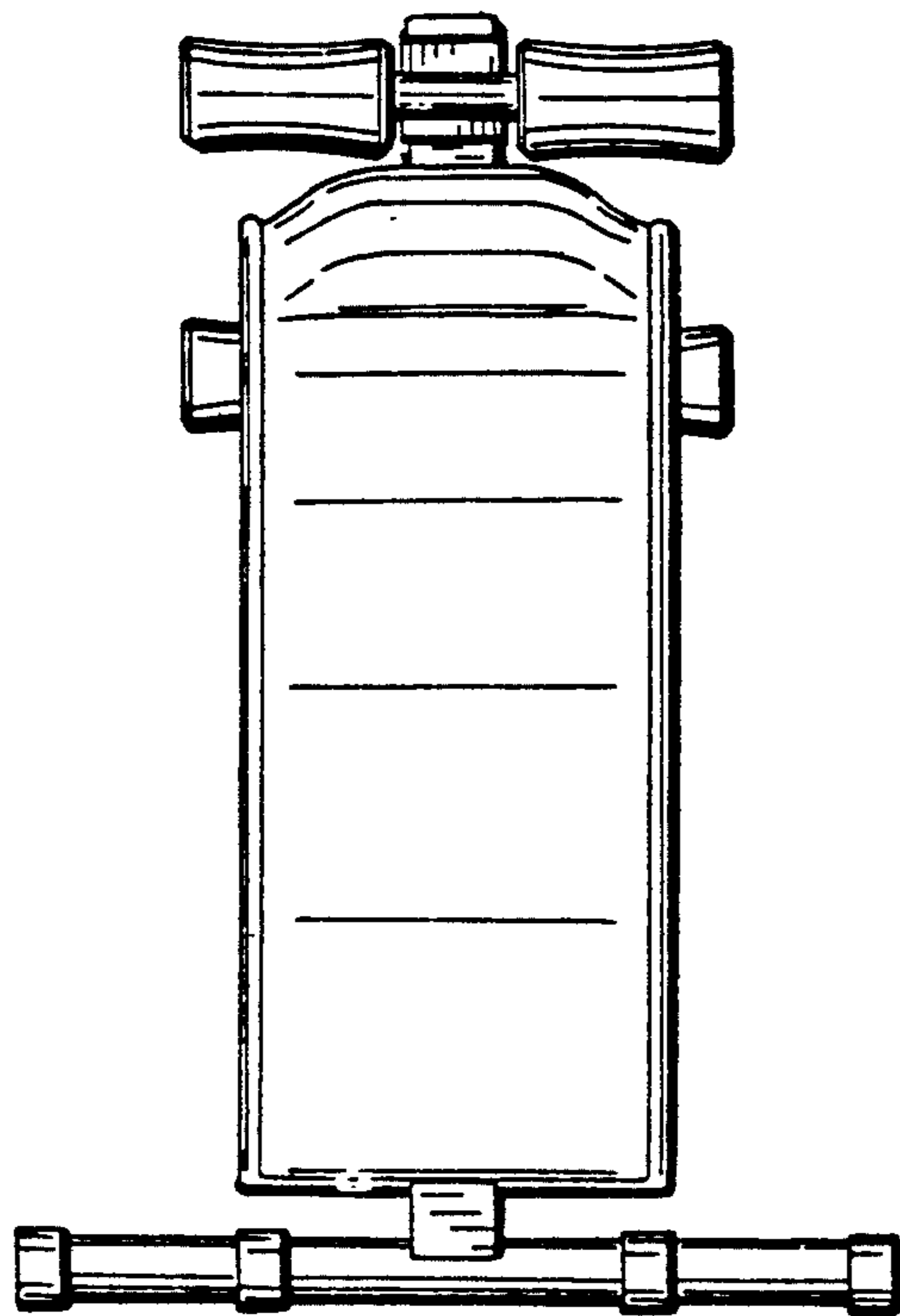


Fig. 5

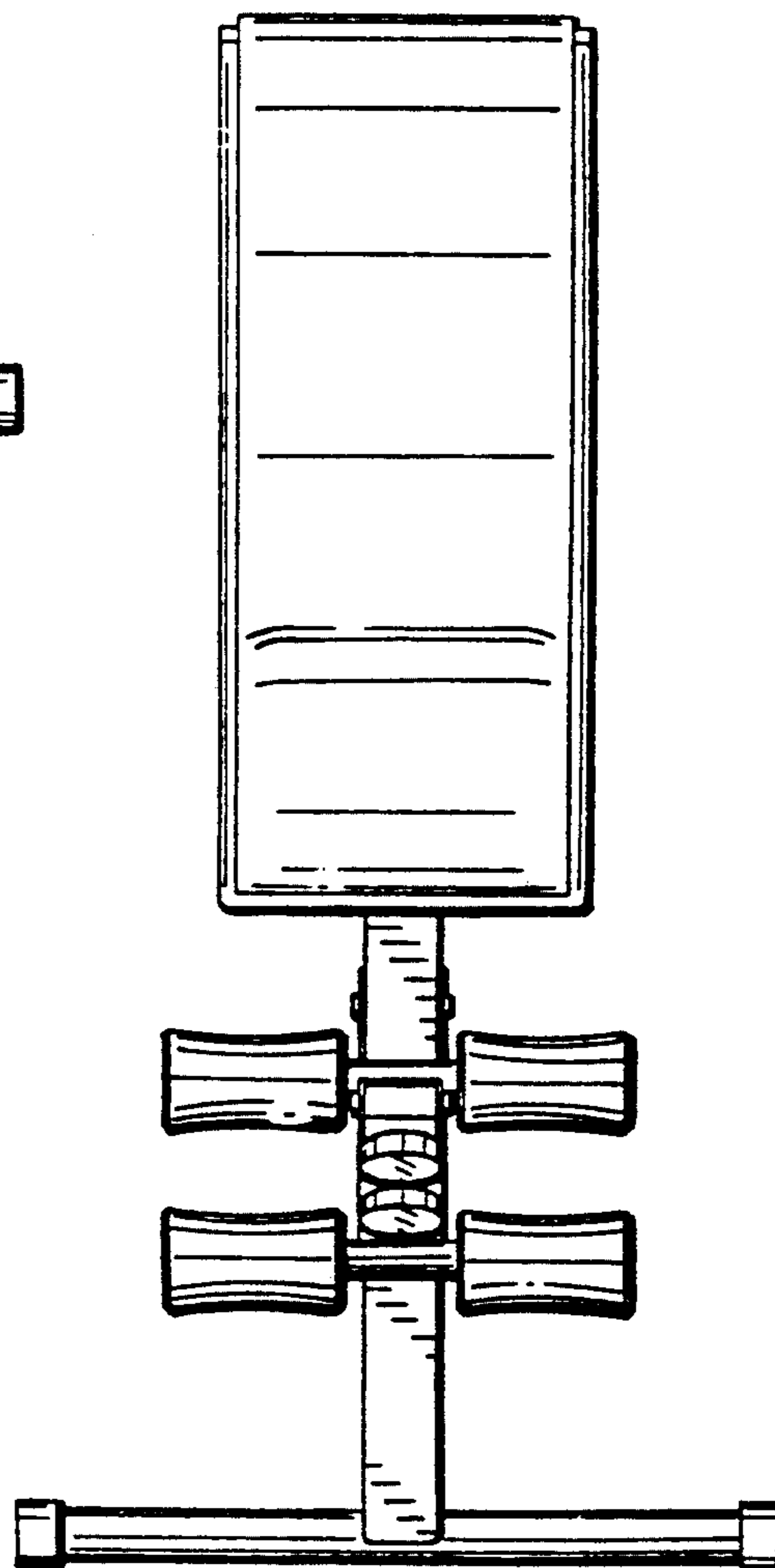


Fig. 6

