



US00D339616S

United States Patent [19]

[11] Patent Number: **Des. 339,616**

Flaherty

[45] Date of Patent: **** Sep. 21, 1993**

[54] WATER GUN

3,802,511 4/1974 Good 239/337
5,141,462 8/1992 Latzel 446/267

[76] Inventor: **Daniel G. Flaherty**, 1780 Hurd Dr.,
Irving, Tex. 75038

Primary Examiner—Bernard Ansher

Assistant Examiner—R. Barkai

Attorney, Agent, or Firm—John M. Cone; William Lloyd
Clayborn

[**] Term: **14 Years**

[21] Appl. No.: **859,913**

[22] Filed: **Mar. 30, 1992**

[52] U.S. Cl. **D21/146**

[58] Field of Search D21/145, 146, 147;
D23/225; 446/267, 473; 222/78, 79; 239/211,
329, 337, 373

[57] CLAIM

The ornamental design for a water gun, as shown and described.

DESCRIPTION

FIG. 1 is a right side elevational view of a water gun showing my new design;

FIG. 2 is a rear elevational side view thereof;

FIG. 3 is a top plan view thereof;

FIG. 4 is a left side elevational view thereof;

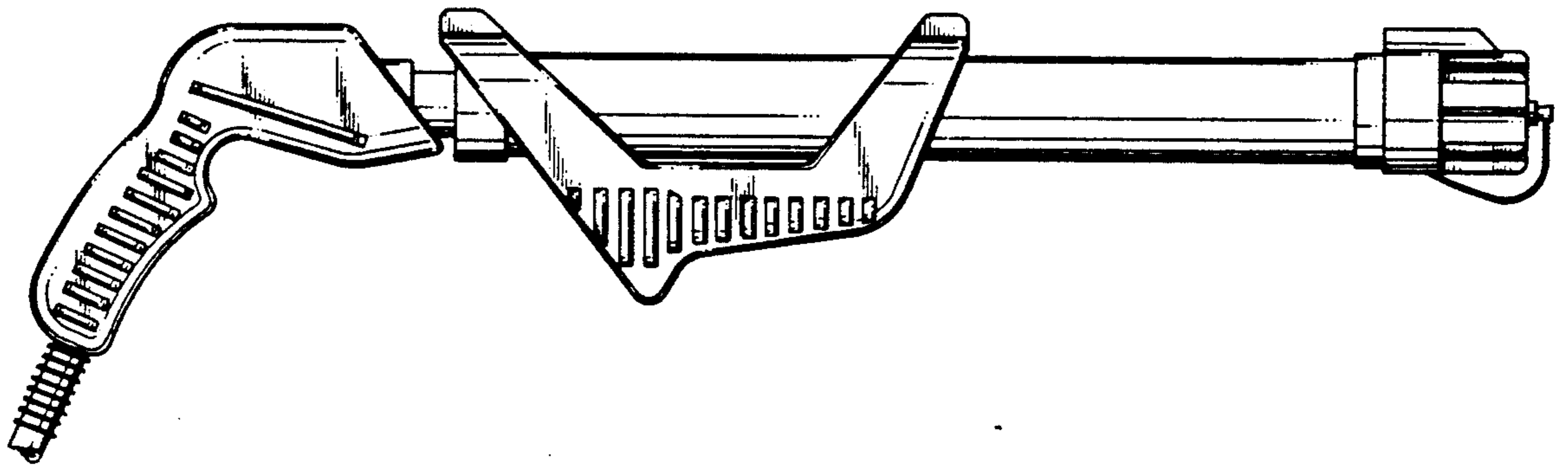
FIG. 5 is a front elevational view thereof; and,

FIG. 6 is a bottom plan view thereof.

[56] References Cited

U.S. PATENT DOCUMENTS

D. 159,040 6/1950 Bicos D21/146
D. 191,776 11/1961 Popper D21/147
3,197,070 7/1965 Pearl 222/79



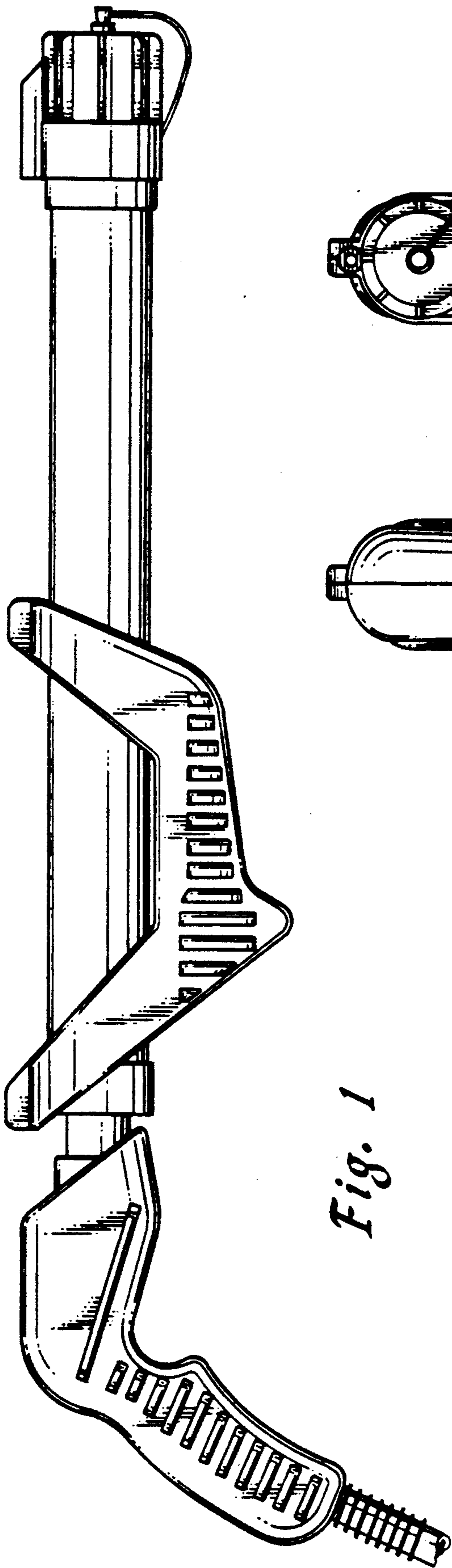


Fig. 1

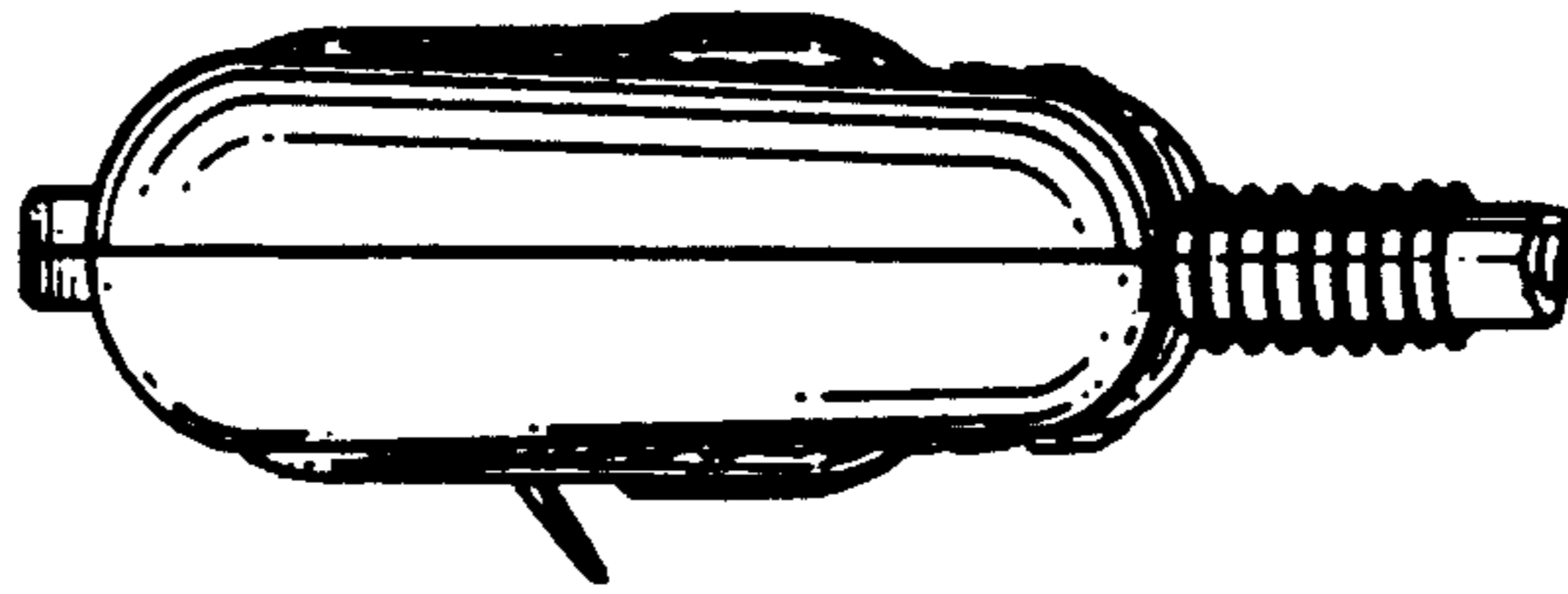


Fig. 2

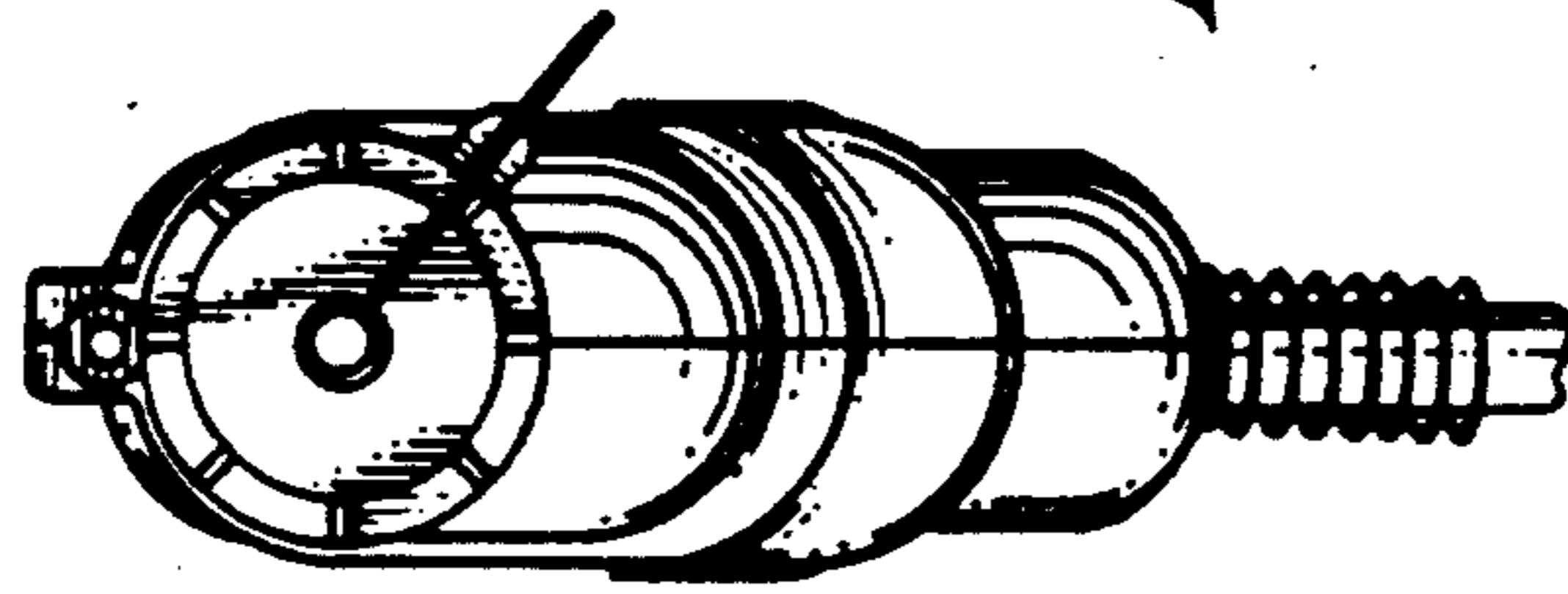
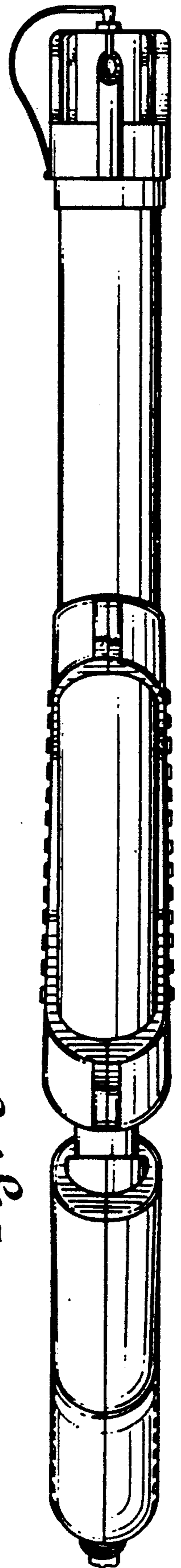


Fig. 5

Fig. 3



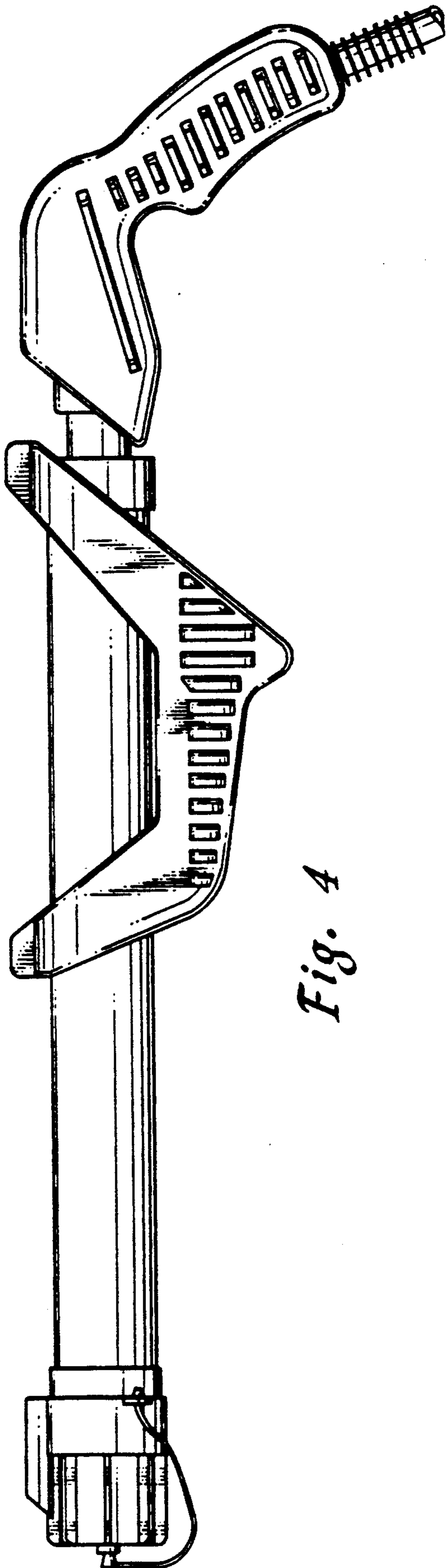


Fig. 4

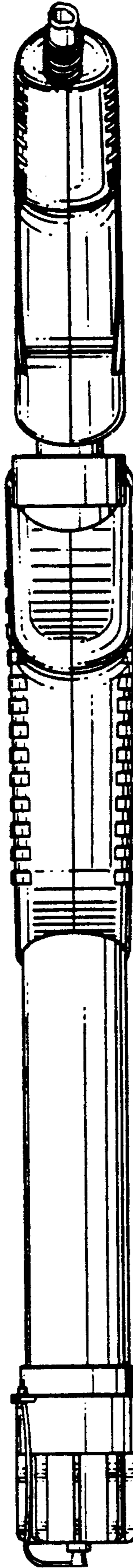


Fig. 6