



US00D339609S

United States Patent [19]

[11] Patent Number: **Des. 339,609**

Martin et al.

[45] Date of Patent: **** Sep. 21, 1993**

[54] SPORTS TEAM NOVELTY

[76] Inventors: **Christopher Martin; Anita A. Martin,**
both of 2104 W. 125th ST.,
Leawood, Kans. 66209

[**] Term: **14 Years**

[21] Appl. No.: **767,922**

[22] Filed: **Sep. 30, 1991**

[52] U.S. Cl. **D20/29; D21/100**

[58] Field of Search **D21/100; D20/10, 29,**
D20/30; 40/584, 586

OTHER PUBLICATIONS

Food Service Equipment and Supplies Specialist Catalog; Aug. 1988; p. 53; Hand Sign.

Primary Examiner—Bernard Ansher
Assistant Examiner—Dominic Simone
Attorney, Agent, or Firm—Kokjer, Kircher, Bowman and Johnson

[57] CLAIM

The ornamental design for a sports team novelty, as shown and described.

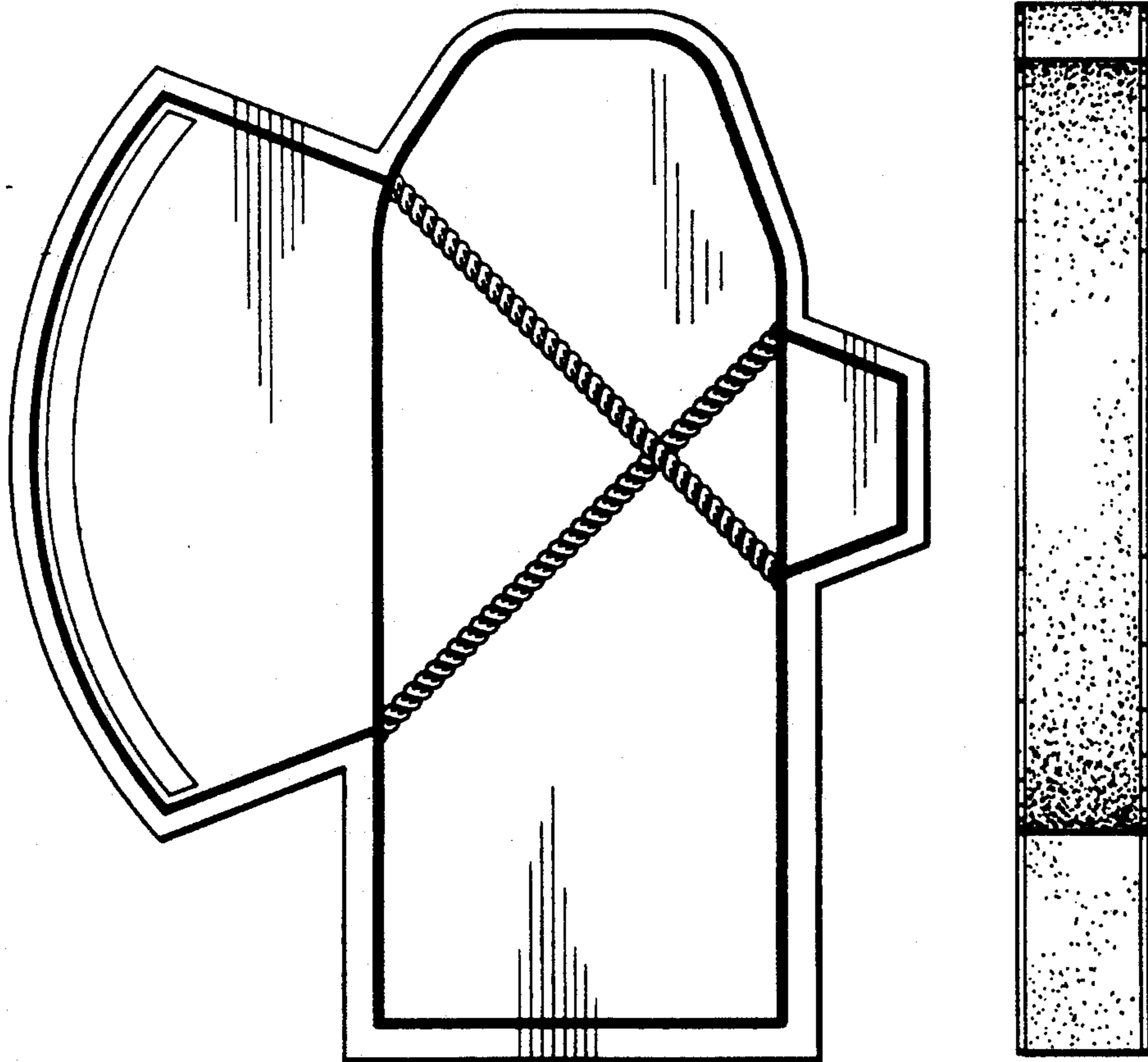
DESCRIPTION

FIG. 1 is a front elevational view of a sports team novelty according to the present invention; FIG. 2 is a left end view of FIG. 1; FIG. 3 is a right end view of FIG. 1; FIG. 4 is a rear elevational view thereof; FIG. 5 is a top plan view thereof; and, FIG. 6 is a bottom plan view thereof.

[56] References Cited

U.S. PATENT DOCUMENTS

D. 191,585	10/1961	Miller	D21/100
D. 324,083	2/1992	Gilen	D21/100
D. 326,122	5/1992	Wilson	D21/100
4,486,975	12/1984	Harrid et al.	D21/100 X



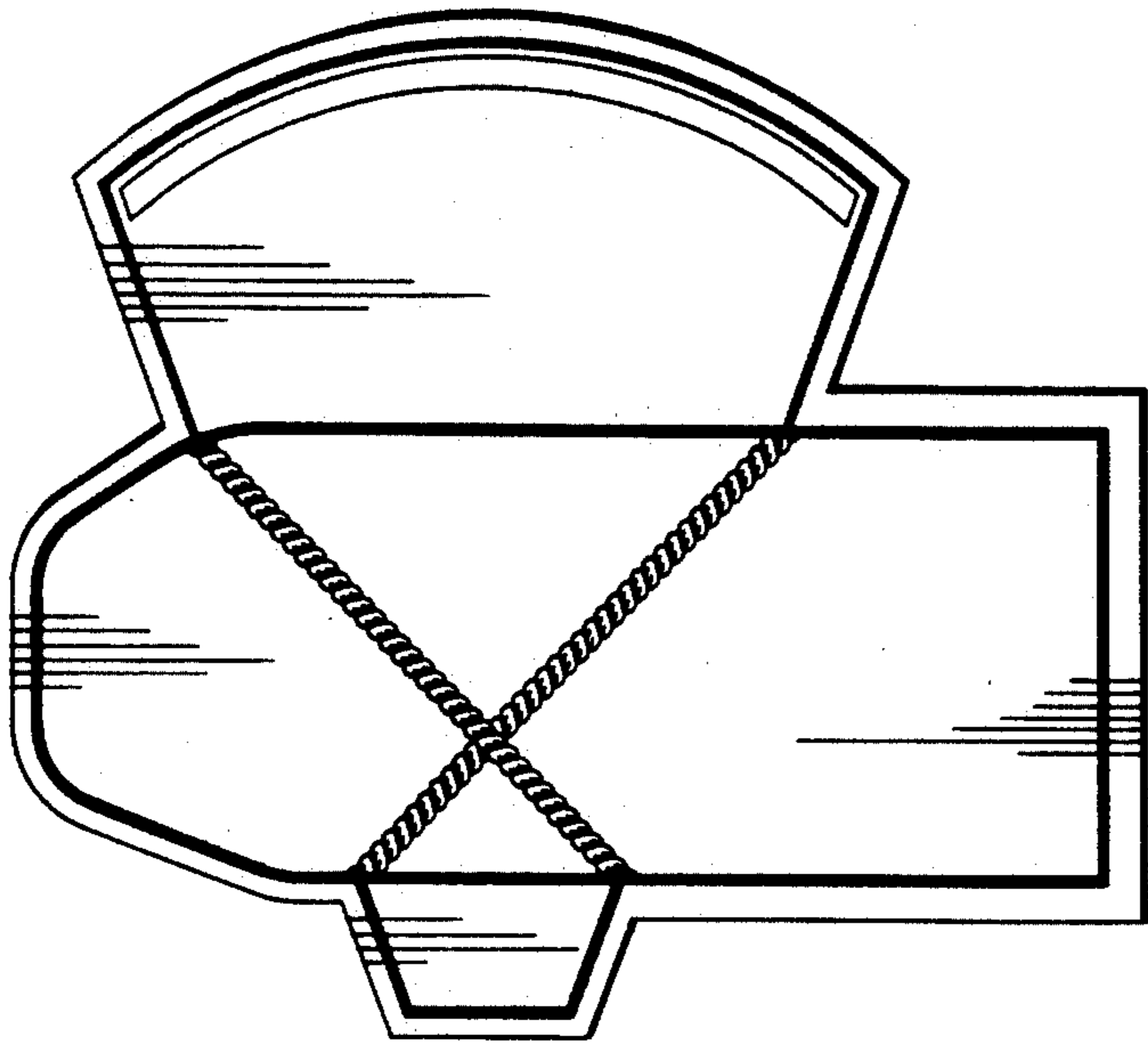


Fig. 1.



Fig. 2.

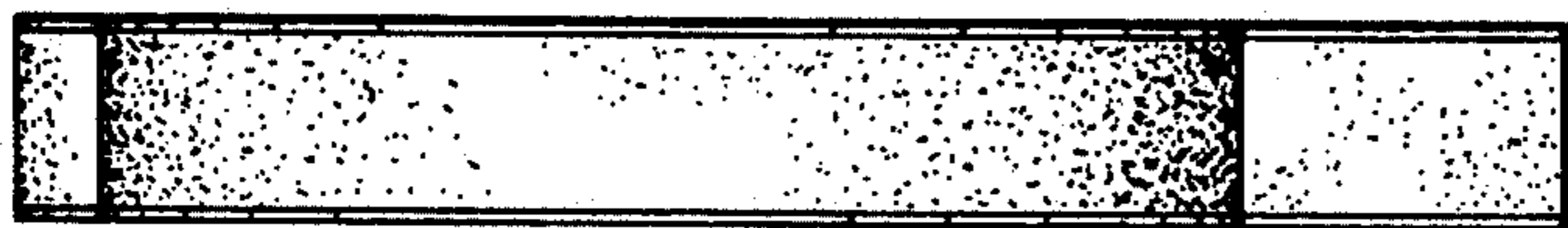


Fig. 3.

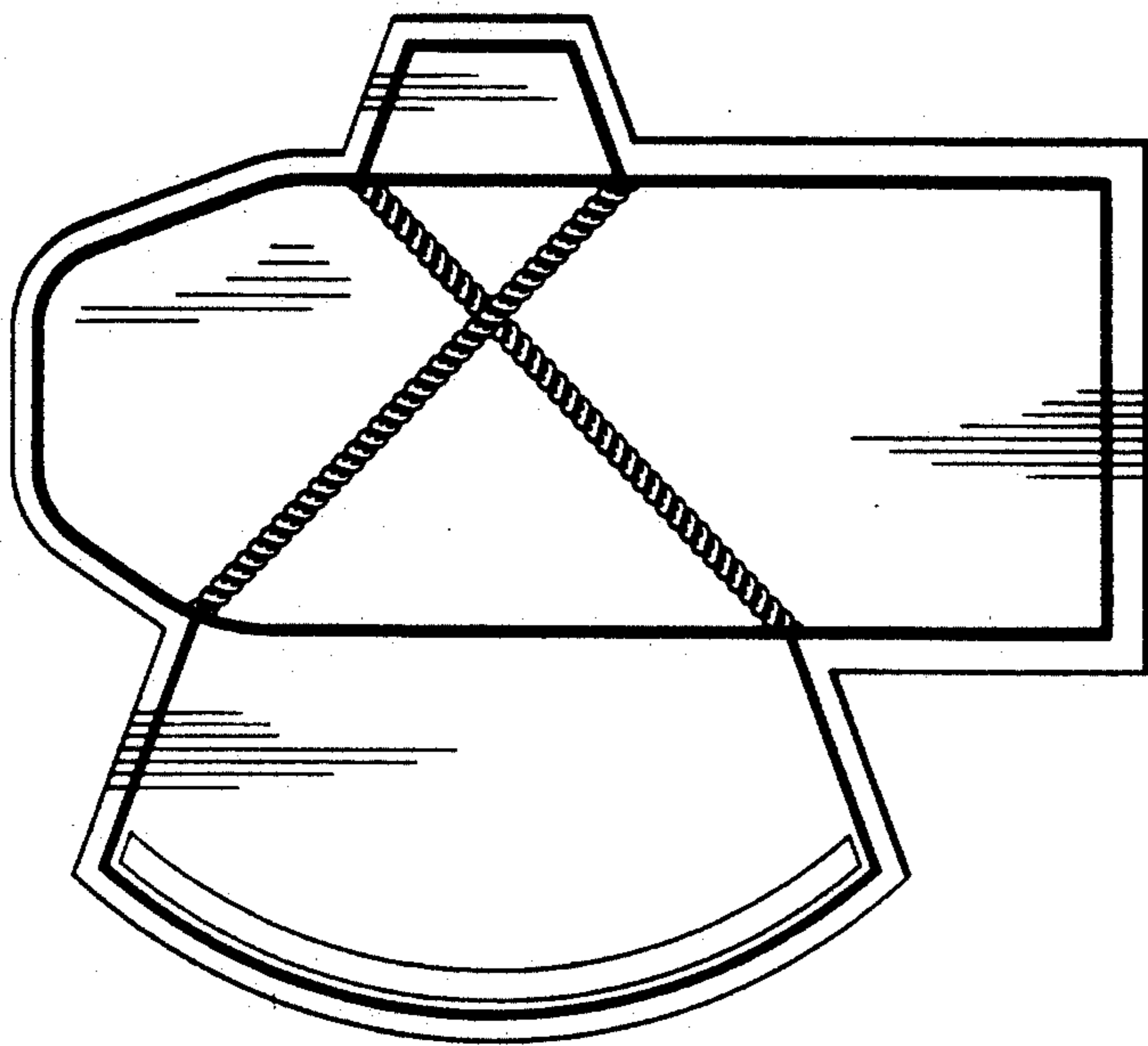


Fig. 4.



Fig. 5.

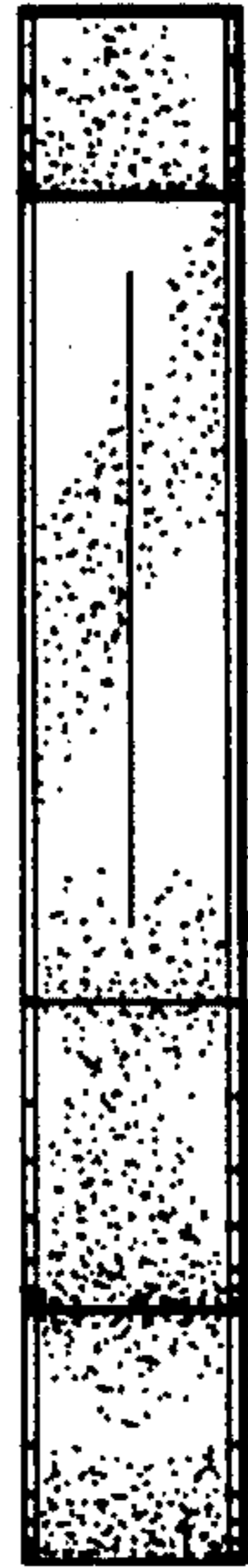


Fig. 6.