



US00D339605S

United States Patent [19]

[11] Patent Number: **Des. 339,605**

Peleman

[45] Date of Patent: **** Sep. 21, 1993**

[54] **END ELEMENT FOR A COVER**

[75] Inventor: **G. Peleman, Antwerp, Belgium**

[73] Assignee: **Peleman-Saerens, naamloze vennootschap, Puurs, Belgium**

[**] Term: **14 Years**

[21] Appl. No.: **668,453**

[22] Filed: **Mar. 12, 1991**

[30] **Foreign Application Priority Data**

Sep. 12, 1990 [IB] Int'l Pat. Institute DM/017 594

[52] U.S. Cl. **D19/32**

[58] Field of Search D6/610, 606; D3/35; 297/219; D19/32; 281/42, 20

[56] **References Cited**

U.S. PATENT DOCUMENTS

809,128	1/1906	McGregor	281/42
2,757,939	8/1956	Fenkel	281/20
4,524,991	6/1985	Thomas	281/20

FOREIGN PATENT DOCUMENTS

20773 of 1893 United Kingdom 281/20

OTHER PUBLICATIONS

Cold-Formed Steel Structures, c. 1973, p. 3, cold-formed section (A), top, middle of page. Dahlstrom Cat. No. 11, Mar. 1967, p. 52, panel moulding 1481, middle right side of page.

Primary Examiner—Wallace R. Burke
Assistant Examiner—Lisa Lichtenstein
Attorney, Agent, or Firm—Foley & Lardner

[57] **CLAIM**

The ornamental design for an end element for a cover, as shown and described.

DESCRIPTION

FIG. 1 is a front and left side perspective view of an end element for a cover showing my new design; FIG. 2 is an enlarged front elevational view thereof; FIG. 3 is an enlarged left side elevational view thereof; FIG. 4 is an enlarged right side elevational view thereof; FIG. 5 is an enlarged rear elevational view thereof; FIG. 6 is an enlarged top plan view thereof; and, FIG. 7 is a bottom plan view thereof. The broken-line showing of a cover in FIG. 1 is for illustrative purposes only, and forms no part of the claimed design.

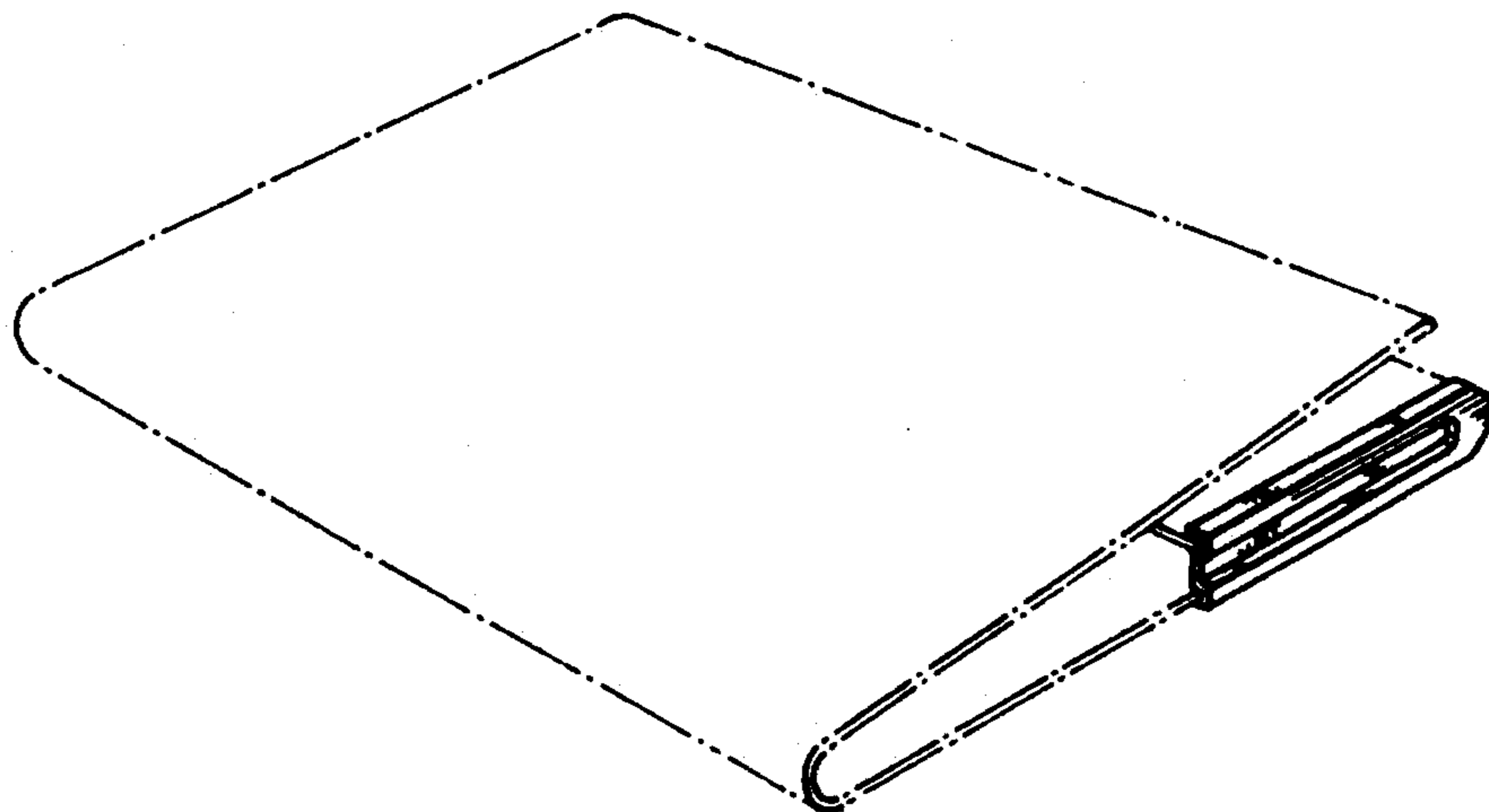


FIG. 1

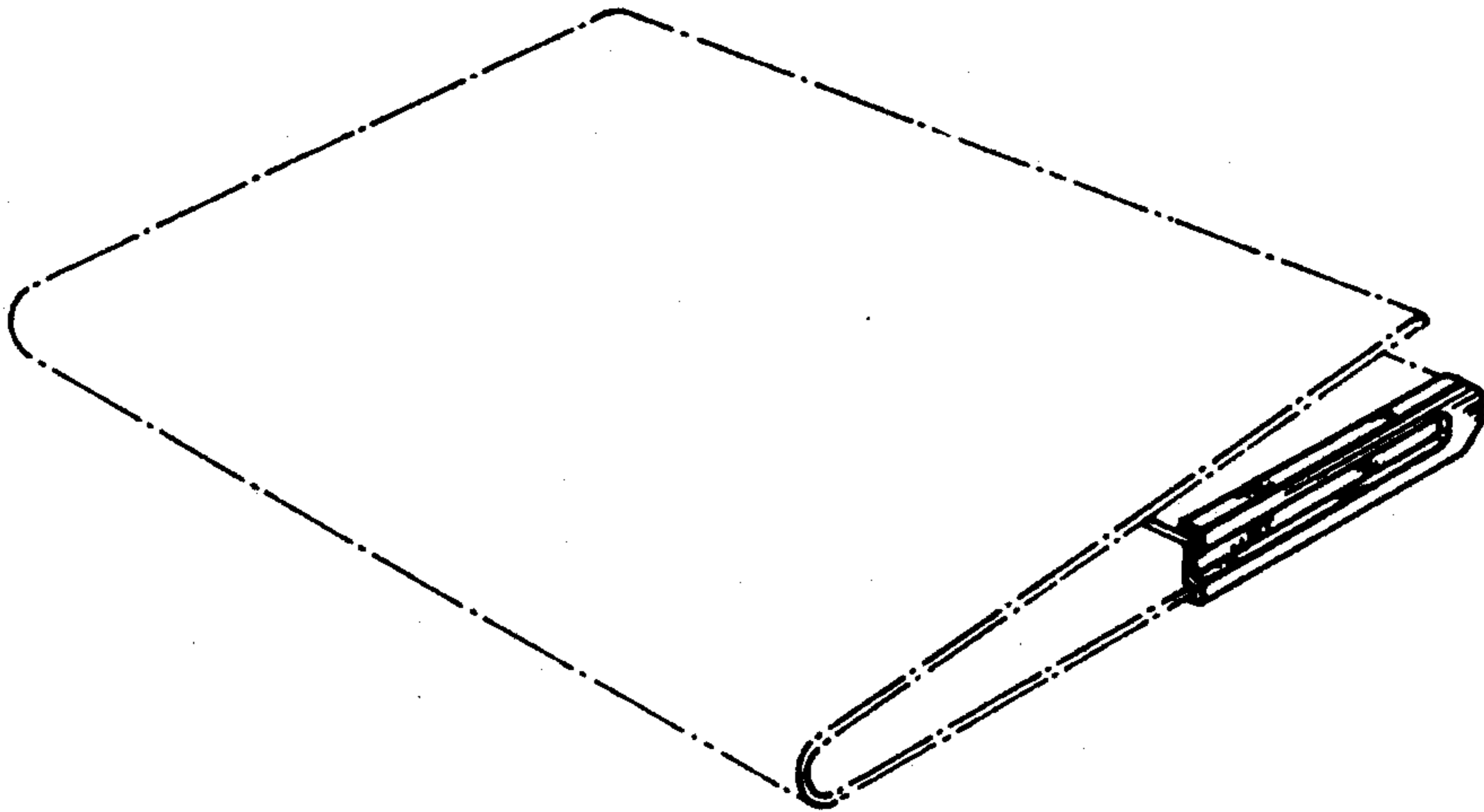


FIG. 6



FIG. 3



FIG. 2

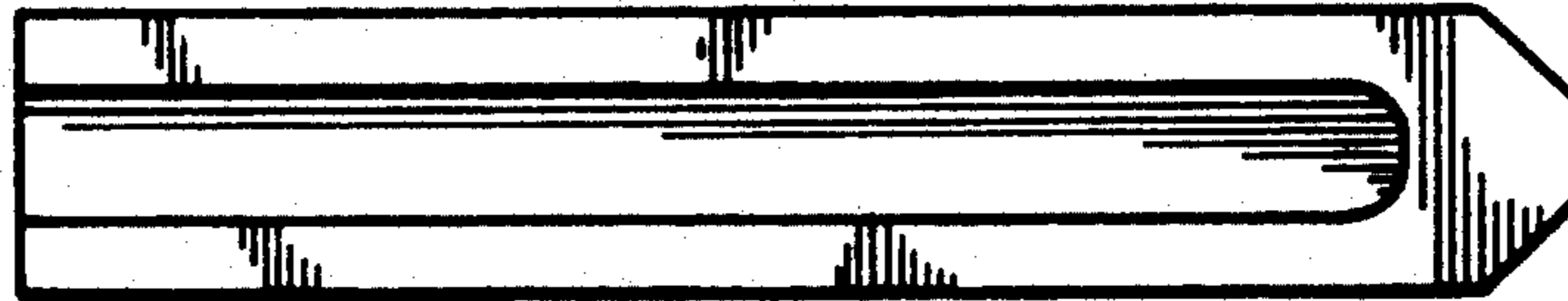


FIG. 4



FIG. 7



FIG. 5

