



US00D339600S

United States Patent [19]

[11] Patent Number: Des. 339,600

Sumrall

[45] Date of Patent: ** Sep. 21, 1993

[54] VIDEO CAMERA CRADLE MOUNT

[76] Inventor: Thomas D. Sumrall, 3225 Bienville Dr., Jackson, Miss. 39212

[**] Term: 14 Years

[21] Appl. No.: 712,636

[22] Filed: Jun. 10, 1991

[52] U.S. Cl. D16/242; 248/185

[58] Field of Search D16/237, 242, 243, 244, D16/245; 248/185; 354/81, 293

[56] References Cited

U.S. PATENT DOCUMENTS

D. 182,960	6/1958	Huber	D16/242
D. 202,231	9/1965	Schroth	D16/242
D. 223,637	5/1972	Mazur	D16/242
D. 234,442	3/1975	Mazur	D16/243
4,104,623	8/1978	Sloop	354/293

Primary Examiner—Bernard Ansher
Assistant Examiner—Adir Aronovich
Attorney, Agent, or Firm—Richard C. Litman

[57] CLAIM

The ornamental design for a video camera cradle mount, as shown and described.

DESCRIPTION

FIG. 1 is a front, right side, and top perspective view of a video camera cradle mount showing my new design, the portion of the figure shown in broken lines representing a video camera and tripod and forming no part of the claimed design;

FIG. 2 is a rear elevational view thereof;

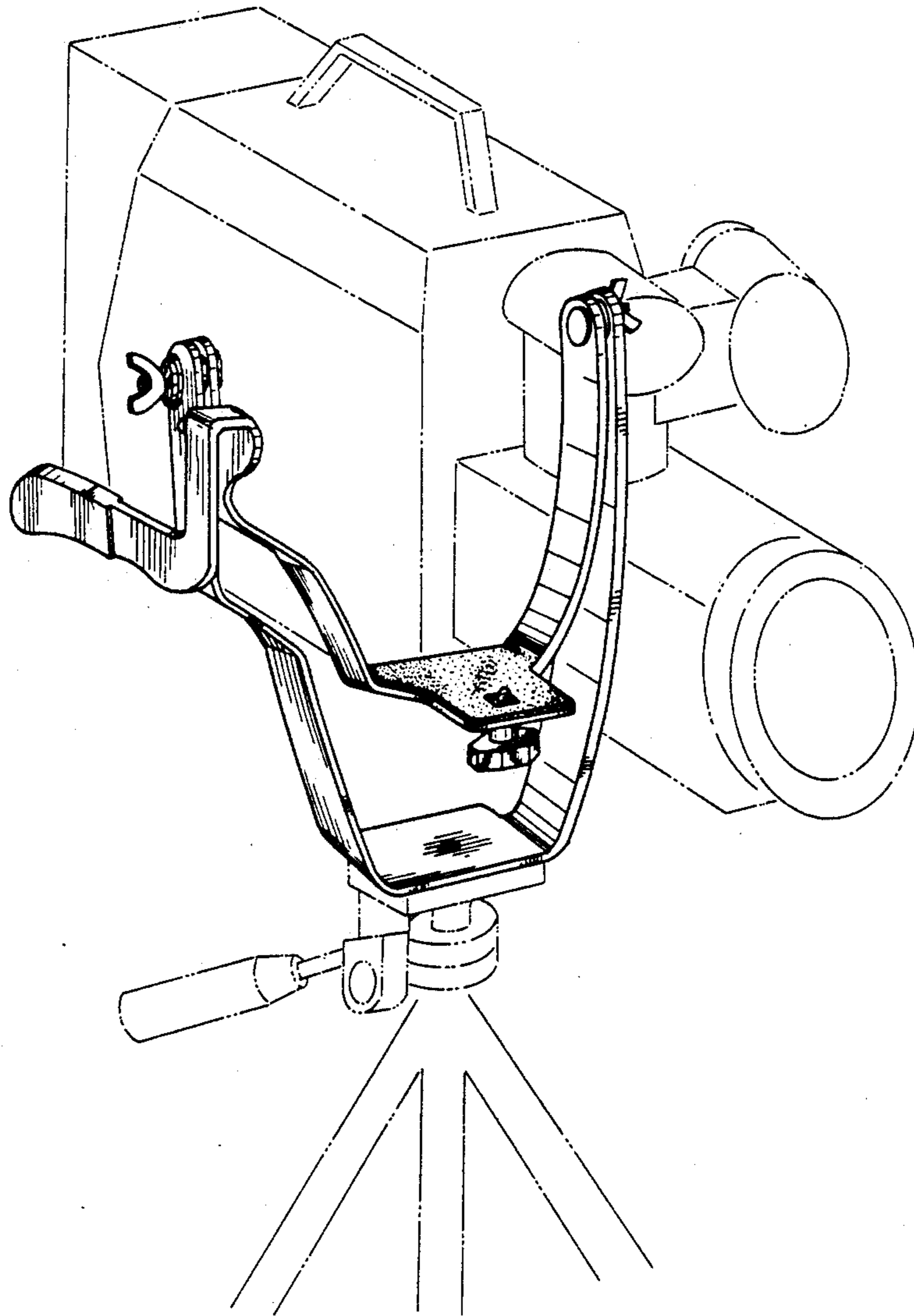
FIG. 3 is a front elevational view thereof;

FIG. 4 is a right side elevational view thereof;

FIG. 5 is a left side elevational view thereof;

FIG. 6 is a bottom plan view thereof; and,

FIG. 7 is a top plan view thereof.



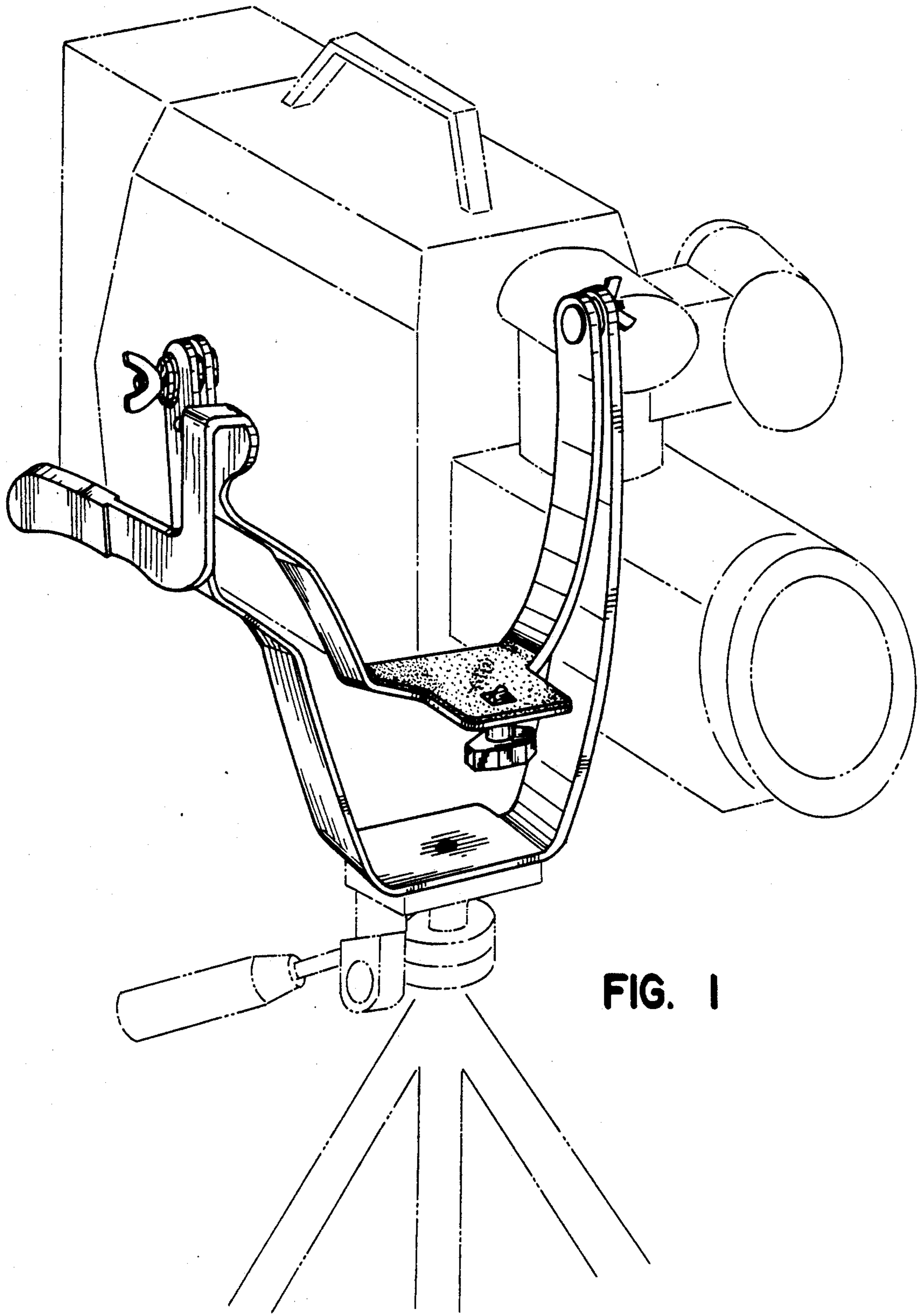


FIG. 1

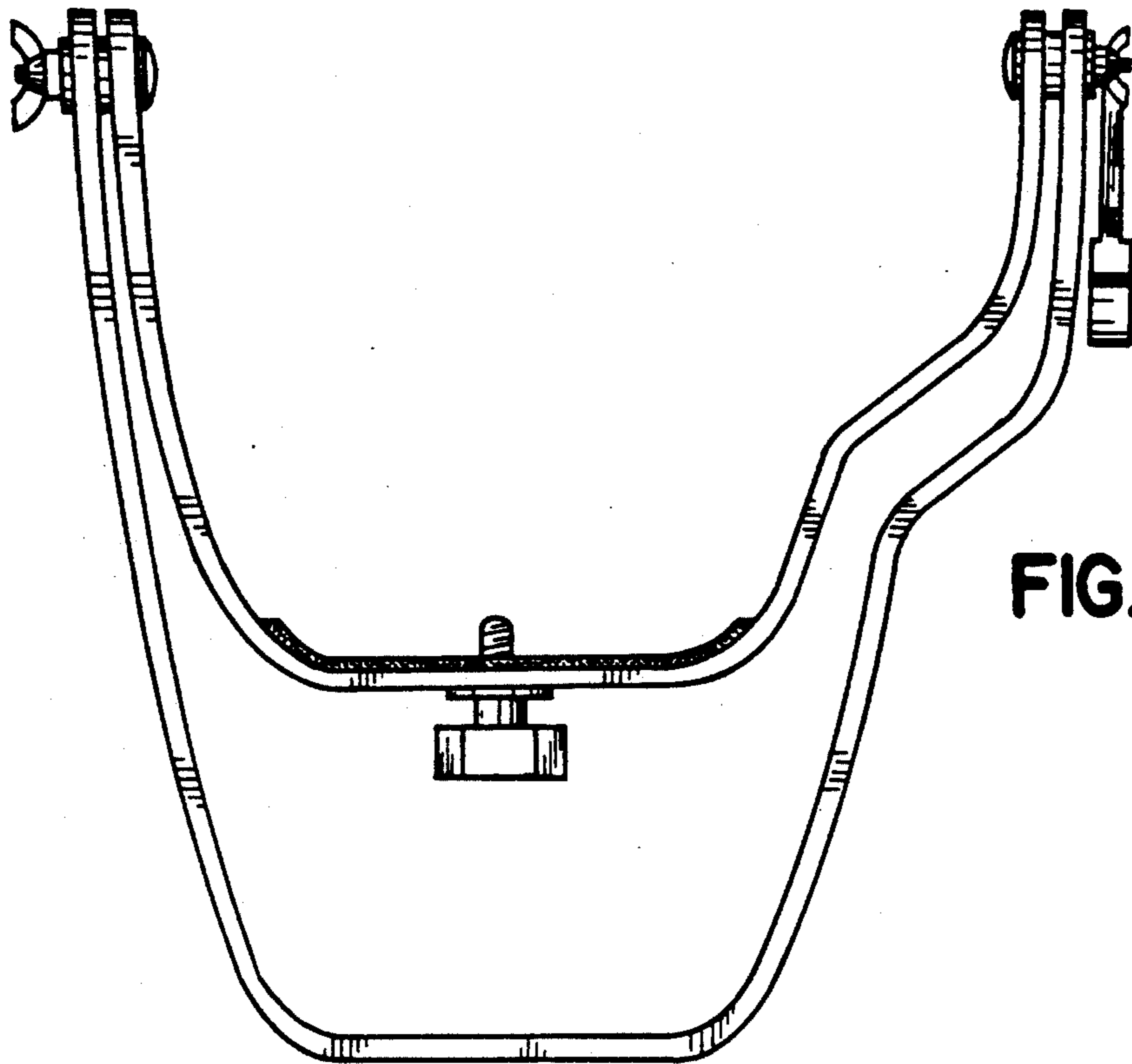


FIG. 2

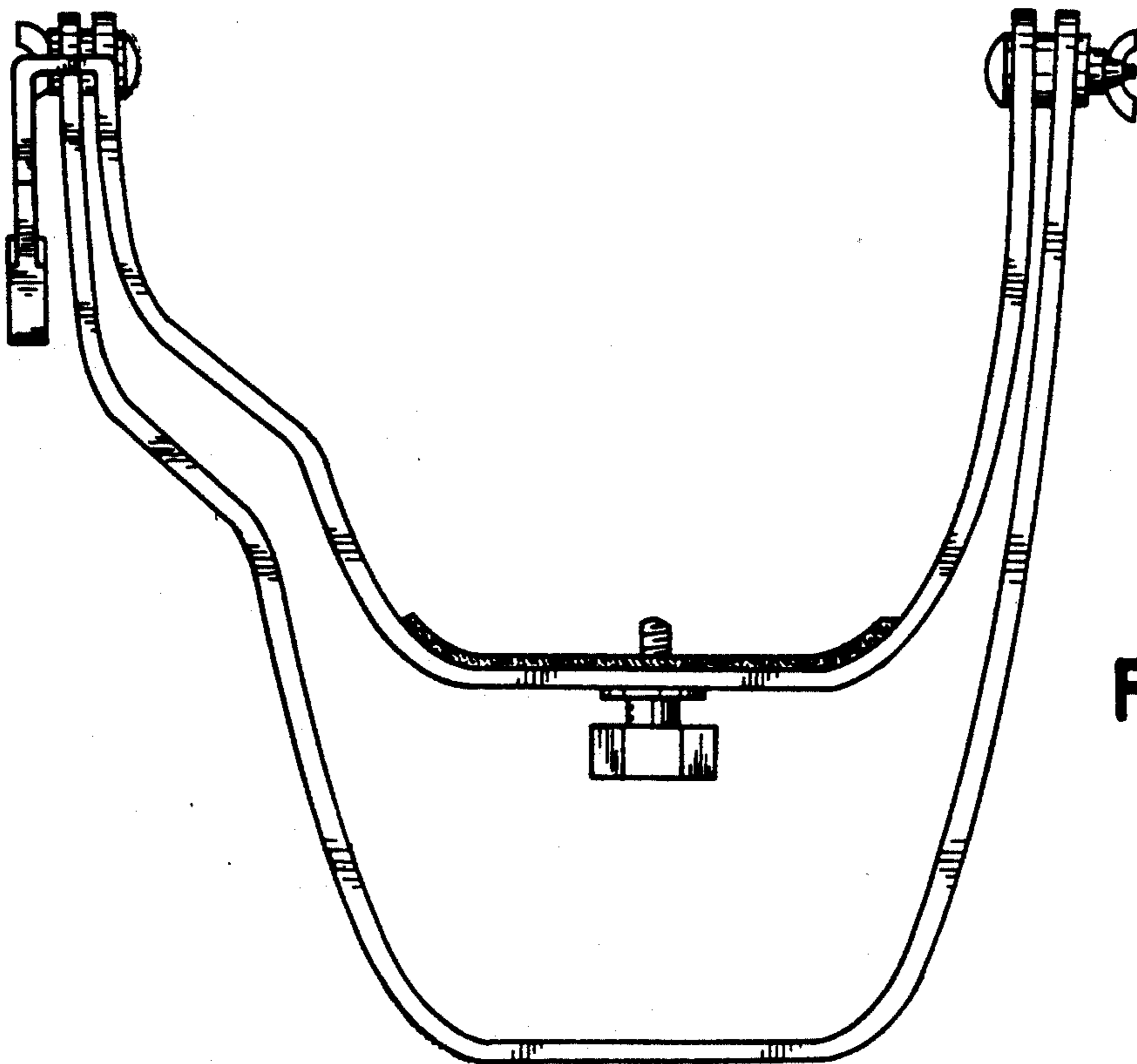


FIG. 3

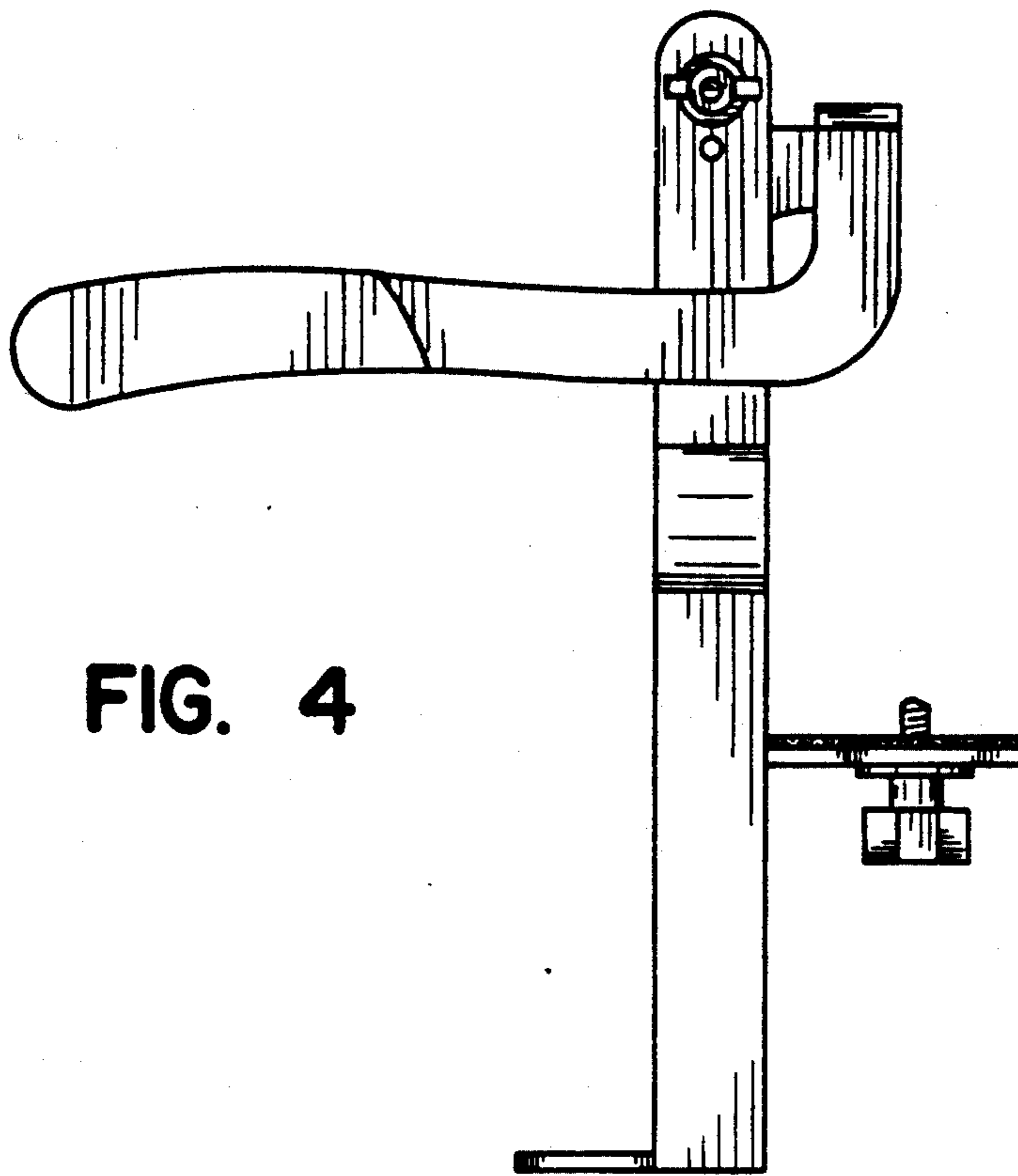


FIG. 4

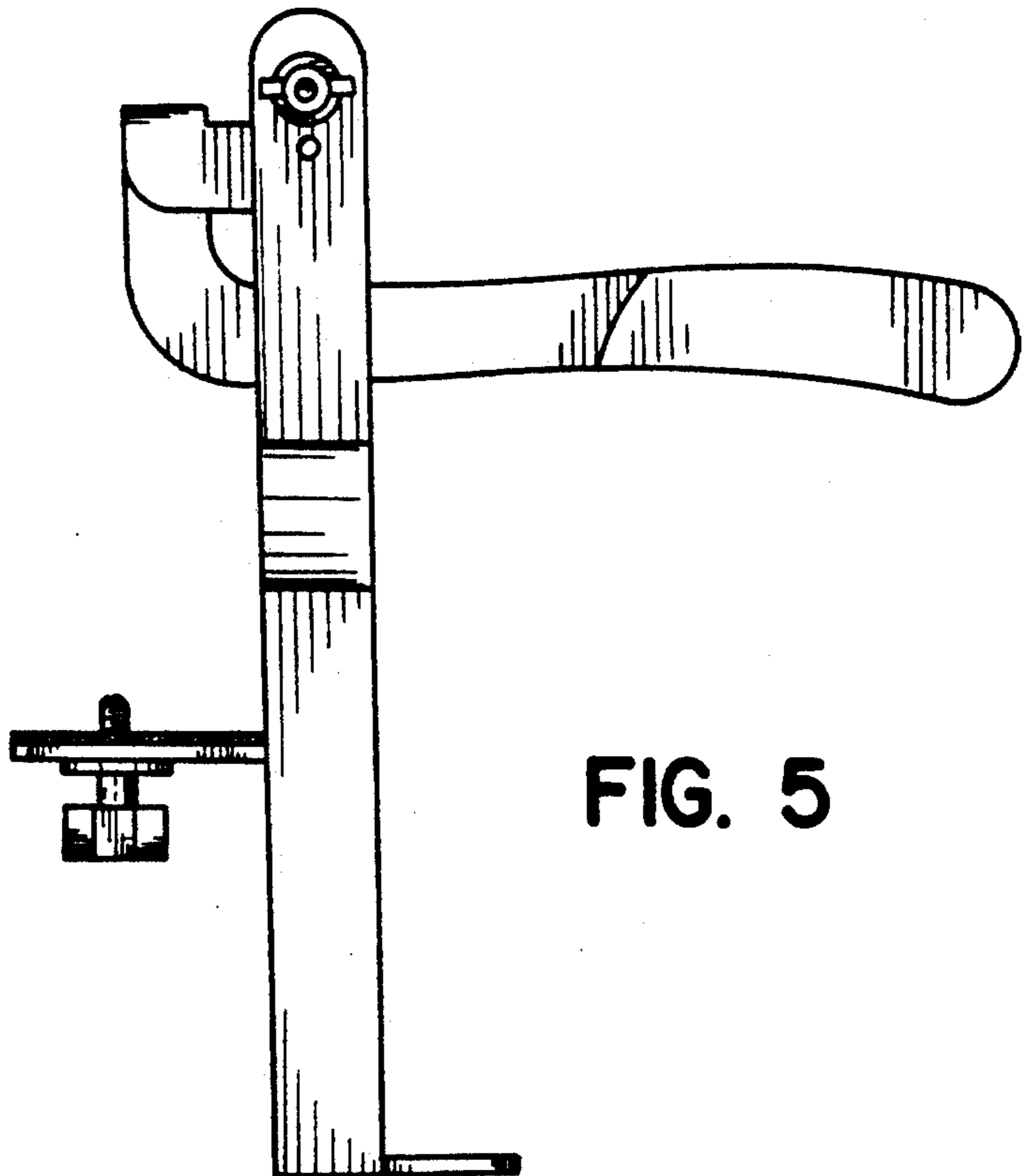


FIG. 5

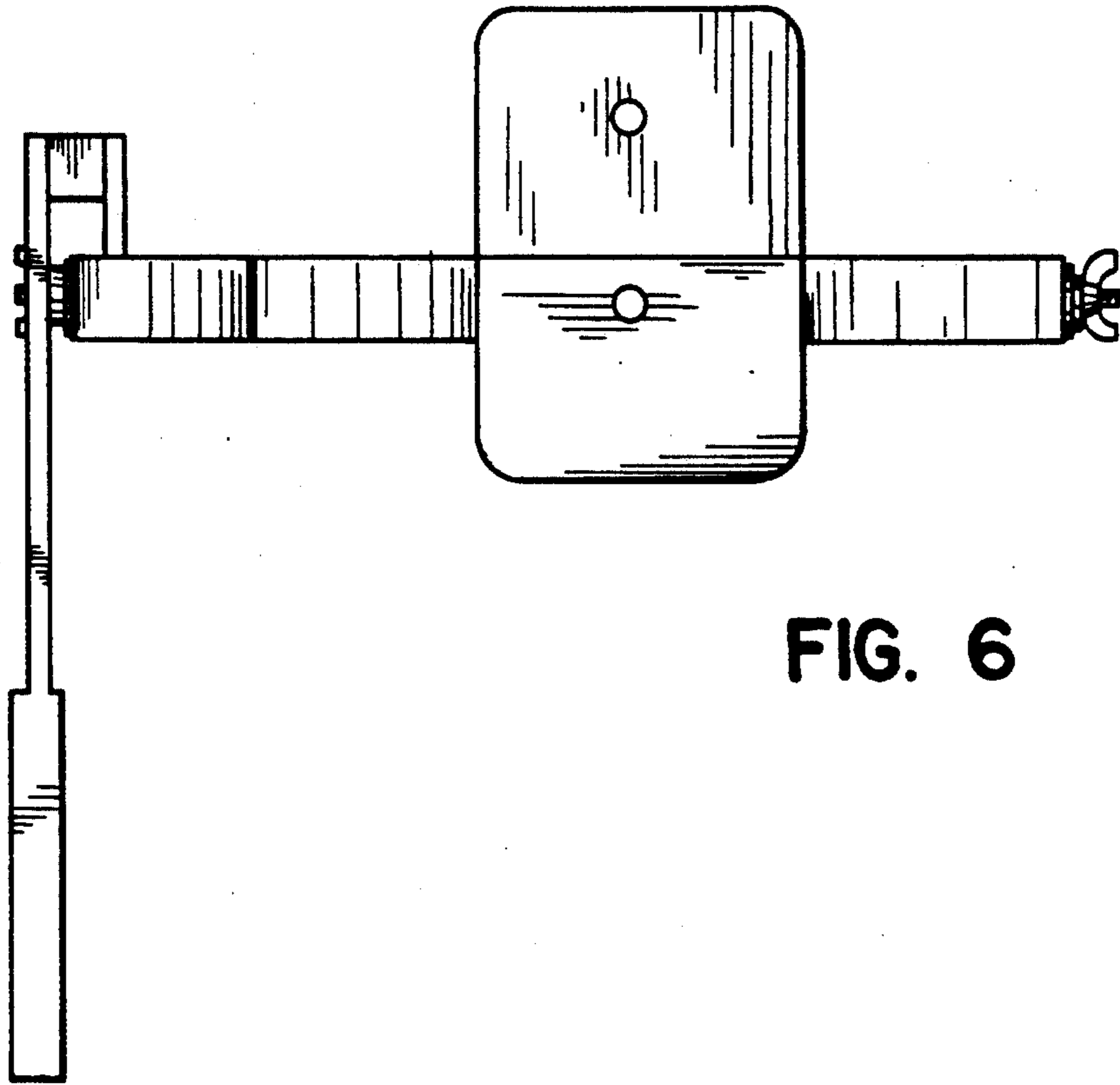


FIG. 6

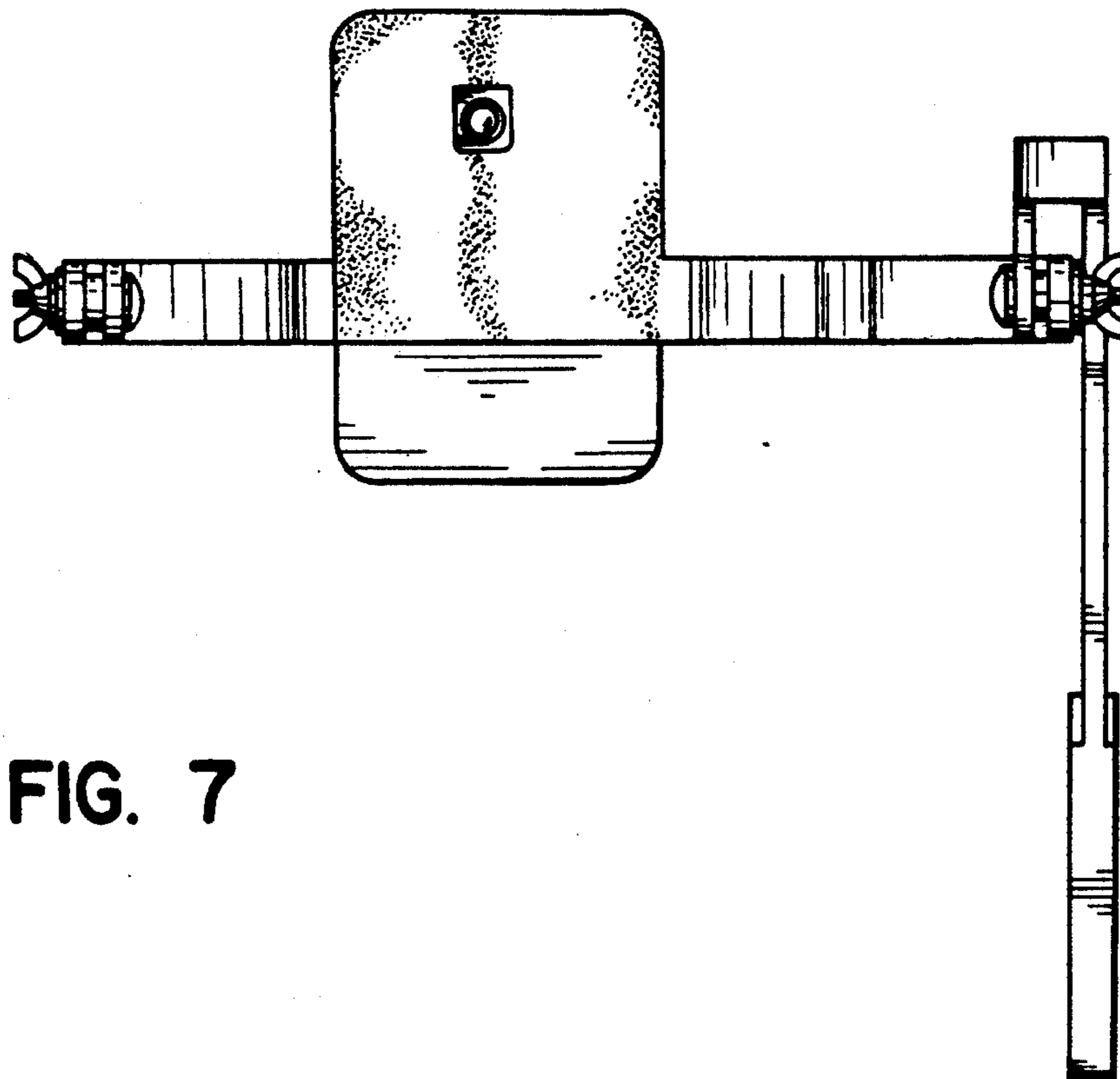


FIG. 7