



US00D339599S

United States Patent [19]

[11] Patent Number: **Des. 339,599**

Tiffen

[45] Date of Patent: **** Sep. 21, 1993**

[54] CAMERA ACCESSORY

WO81/81035-

53 5/1980 PCT Int'l Appl. .

[75] Inventor: **Ira Tiffen, Mt. Sinai, N.Y.**

Primary Examiner—Bernard Ansher
Assistant Examiner—Adir Aronovich
Attorney, Agent, or Firm—Kirschstein, Ottinger, Isreal & Schiffmiller

[73] Assignee: **Tiffen Manufacturing Corp.,
Hauppauge, N.Y.**

[**] Term: **14 Years**

[57] CLAIM

[21] Appl. No.: **599,374**

The ornamental design for a camera accessory, as shown and described.

[22] Filed: **Oct. 17, 1990**

DESCRIPTION

[52] U.S. Cl. **D16/219**

[58] Field of Search **D16/136, 200, 219, 237;
354/286, 288, 295, 296; 359/511, 827, 829, 892;
358/229**

FIG. 1 is a top, front perspective view of a camera accessory showing my new design;
FIG. 2 is a front elevational view thereof;
FIG. 3 is a right side elevational view thereof, the left side elevational view being a mirror image;
FIG. 4 is a rear elevational view thereof;
FIG. 5 is a bottom plan view thereof, the top plan view being a mirror image;
FIG. 6 is a top, rear perspective view thereof;
FIG. 7 is a top, front perspective view of a second embodiment of the camera accessory disclosed in FIG. 1;
FIG. 8 is a front elevational view thereof;
FIG. 9 is a right side elevational view thereof, the left side elevational view being a mirror image;
FIG. 10 is a rear elevational view thereof; and,
FIG. 11 is a bottom plan view thereof, the top plan view being a mirror image.

[56] References Cited

U.S. PATENT DOCUMENTS

D. 252,833	9/1979	Bowser	D26/85
1,971,434	8/1934	Trautmann	359/827
4,391,488	7/1983	Ishizaka et al.	359/827
4,415,242	11/1983	Major	359/511
4,596,454	6/1986	Kawai et al.	354/286
4,684,231	8/1987	Athy	354/295
4,961,115	10/1990	Jessop	358/229

FOREIGN PATENT DOCUMENTS

0083430	7/1983	European Pat. Off.	354/295
969857	3/1958	Fed. Rep. of Germany	354/286

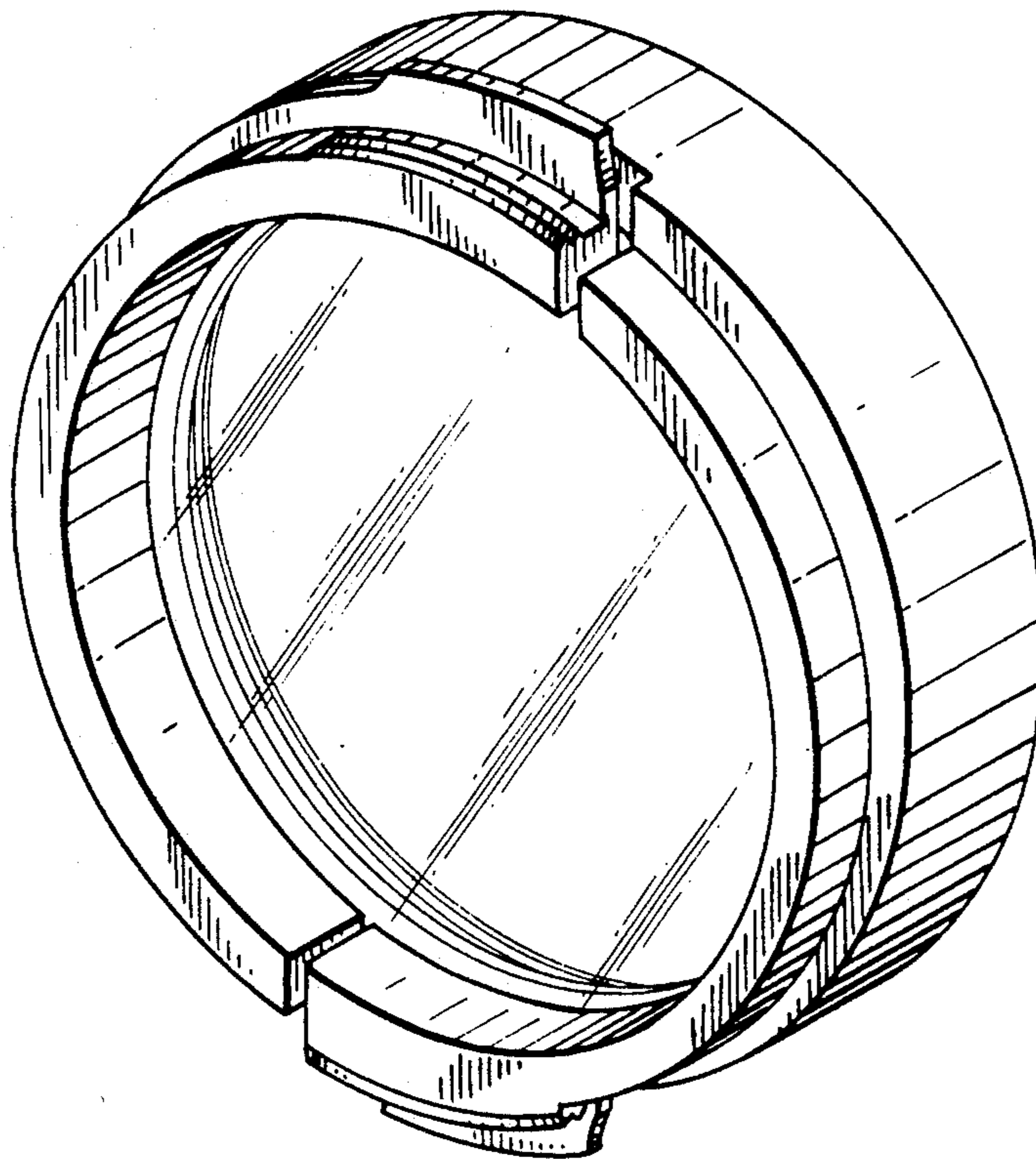


FIG. 1

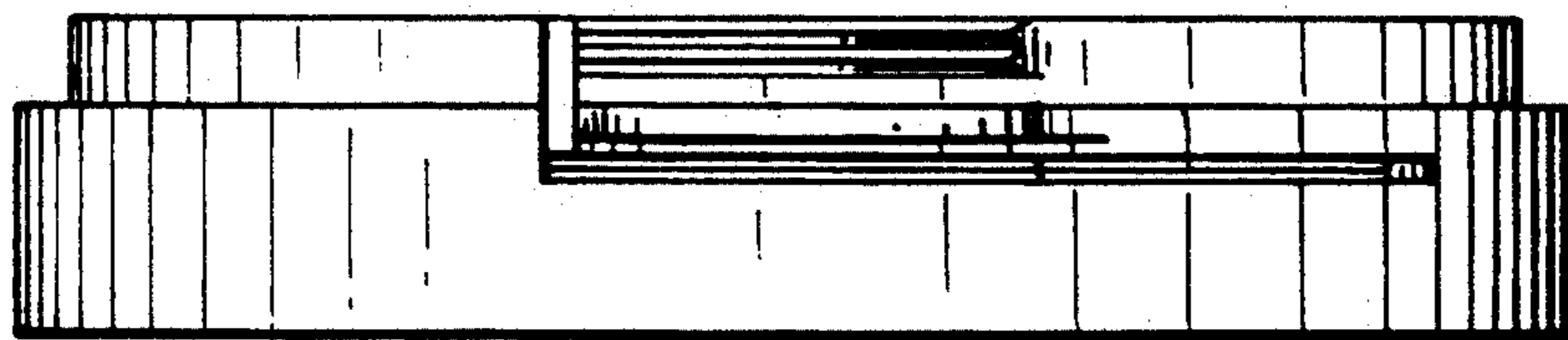
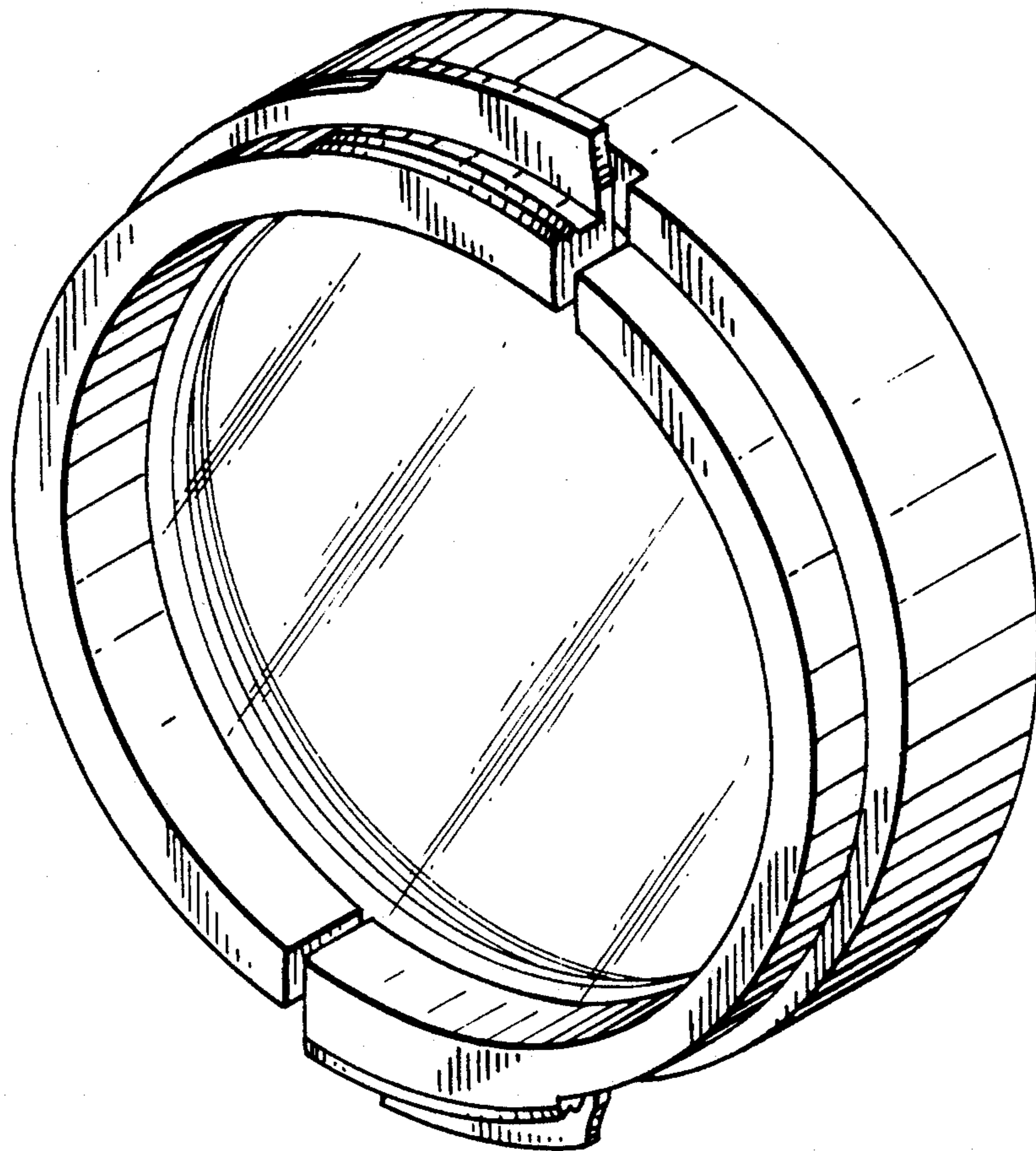


FIG. 5

FIG. 4

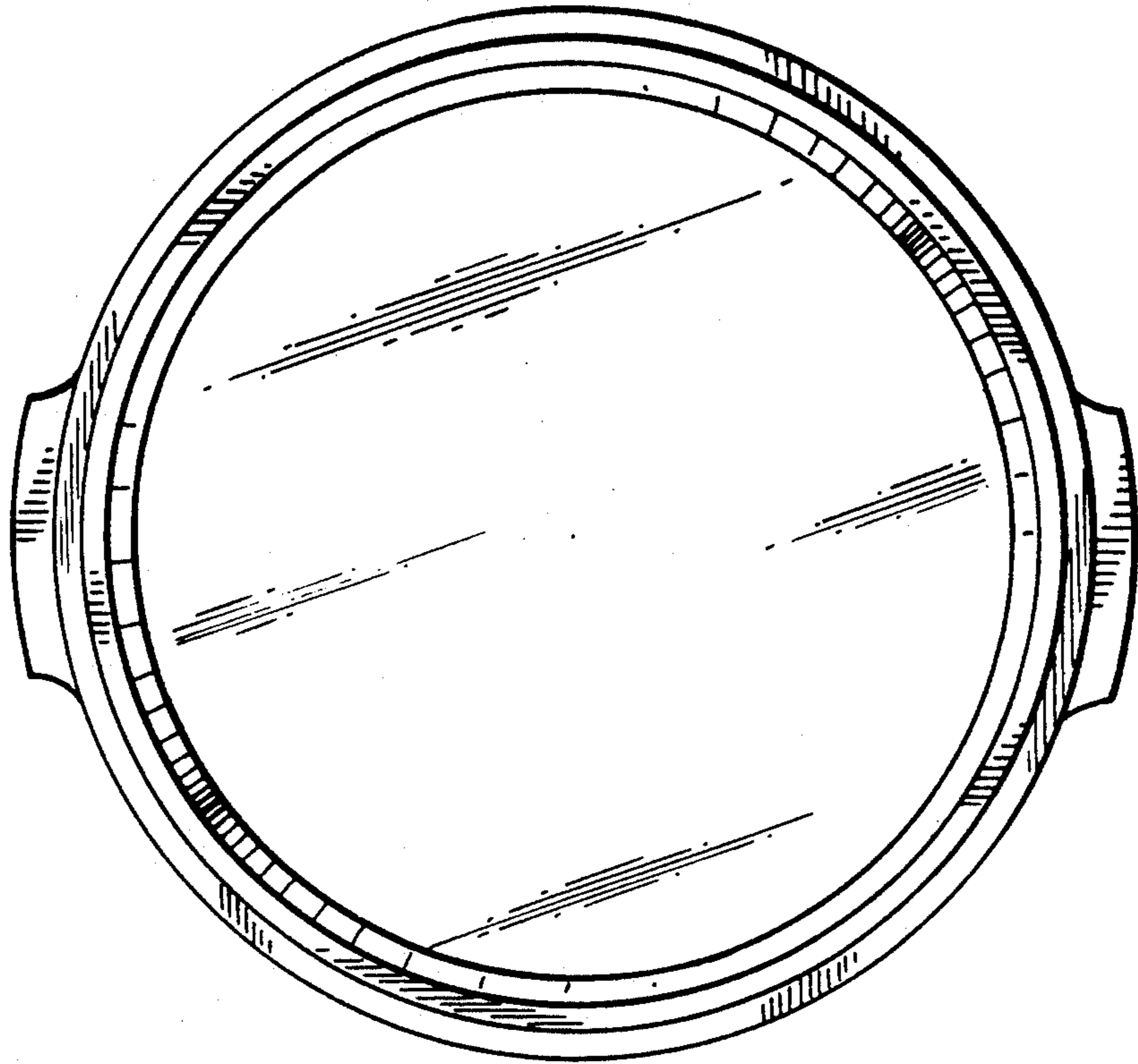


FIG. 3

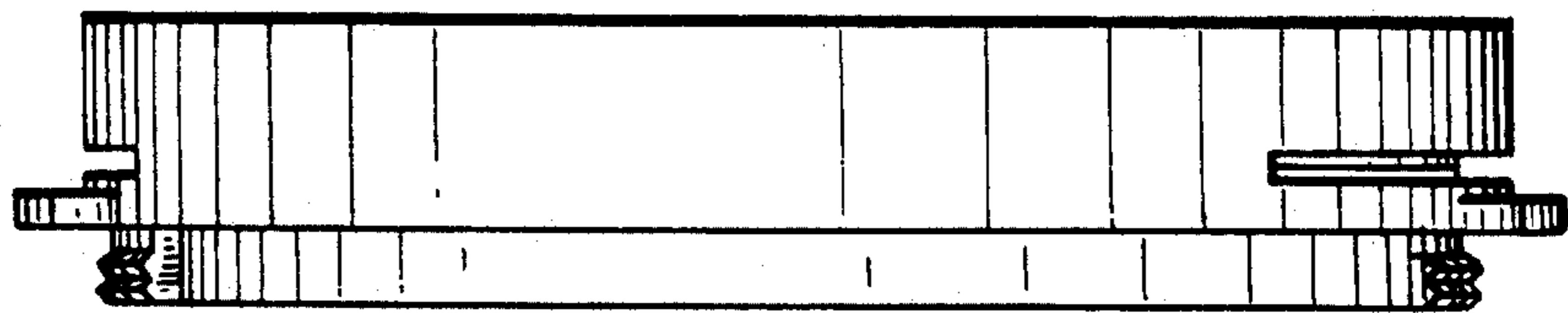


FIG. 2

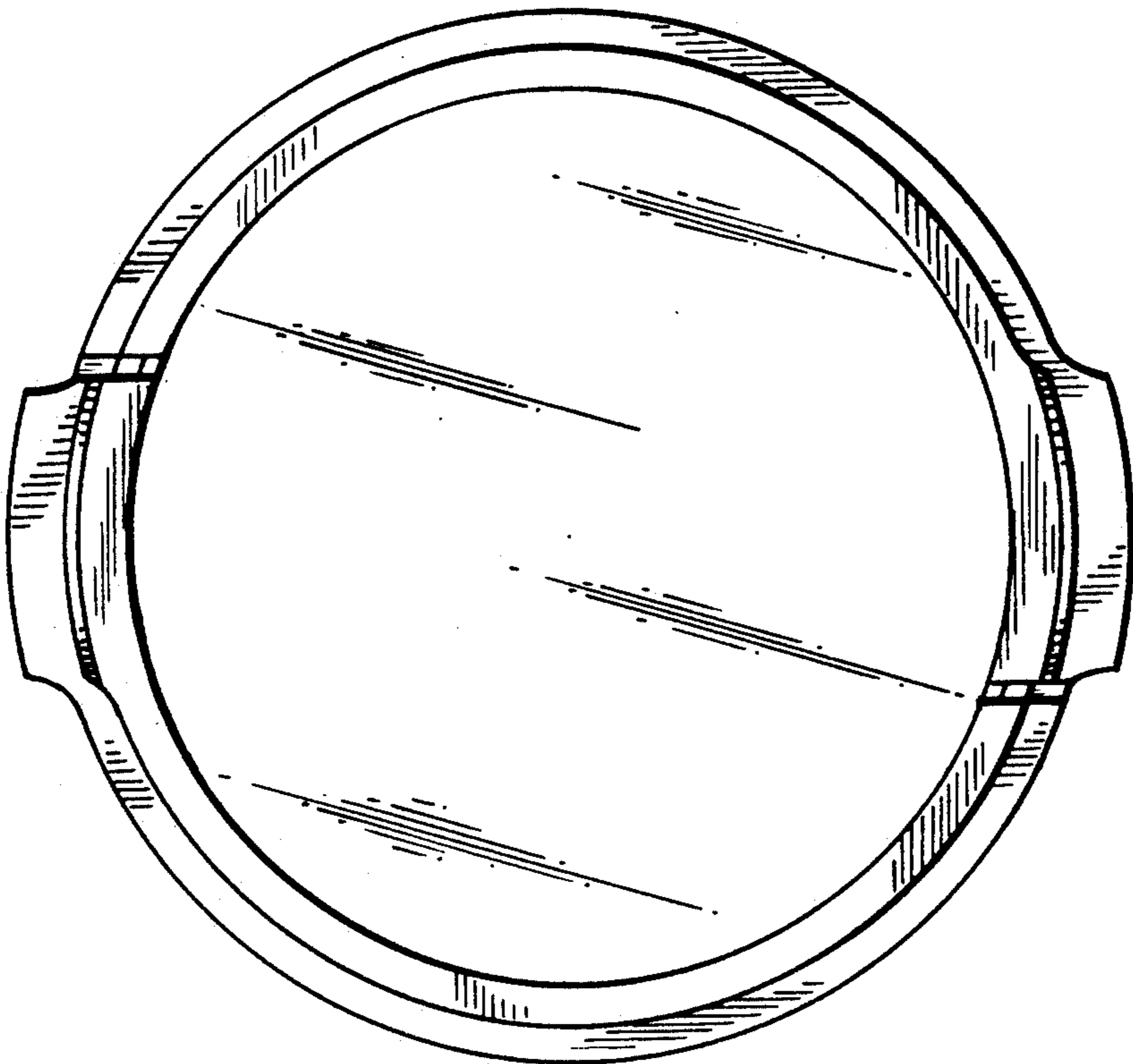


FIG. 6

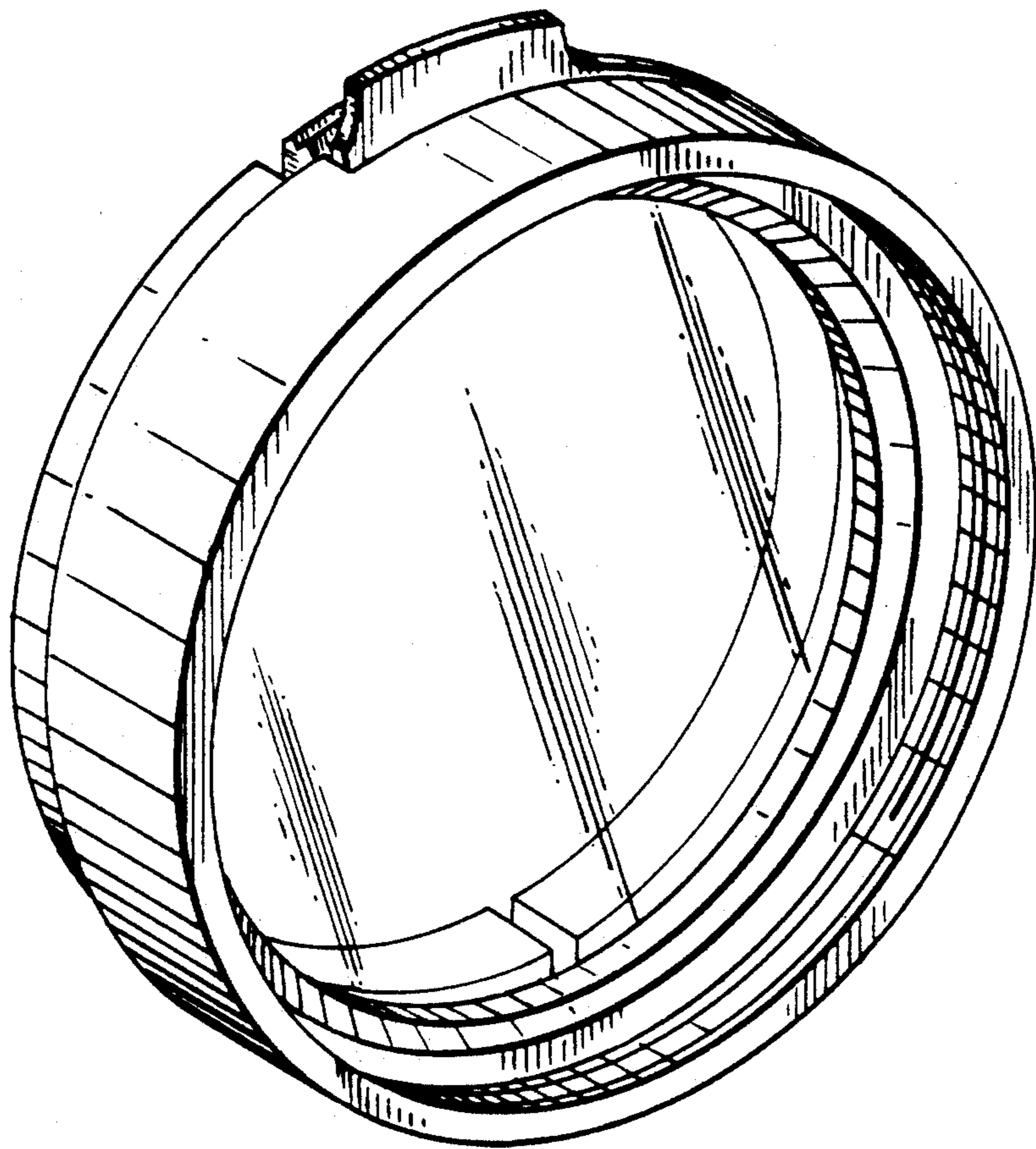


FIG. 7

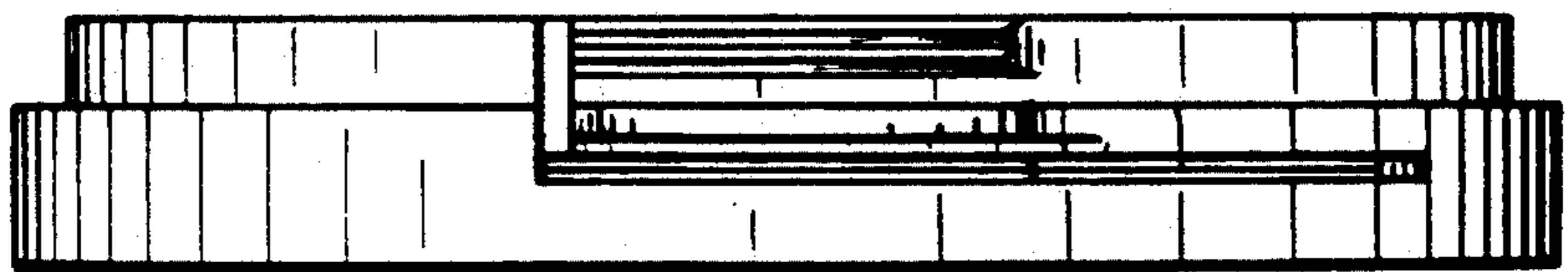
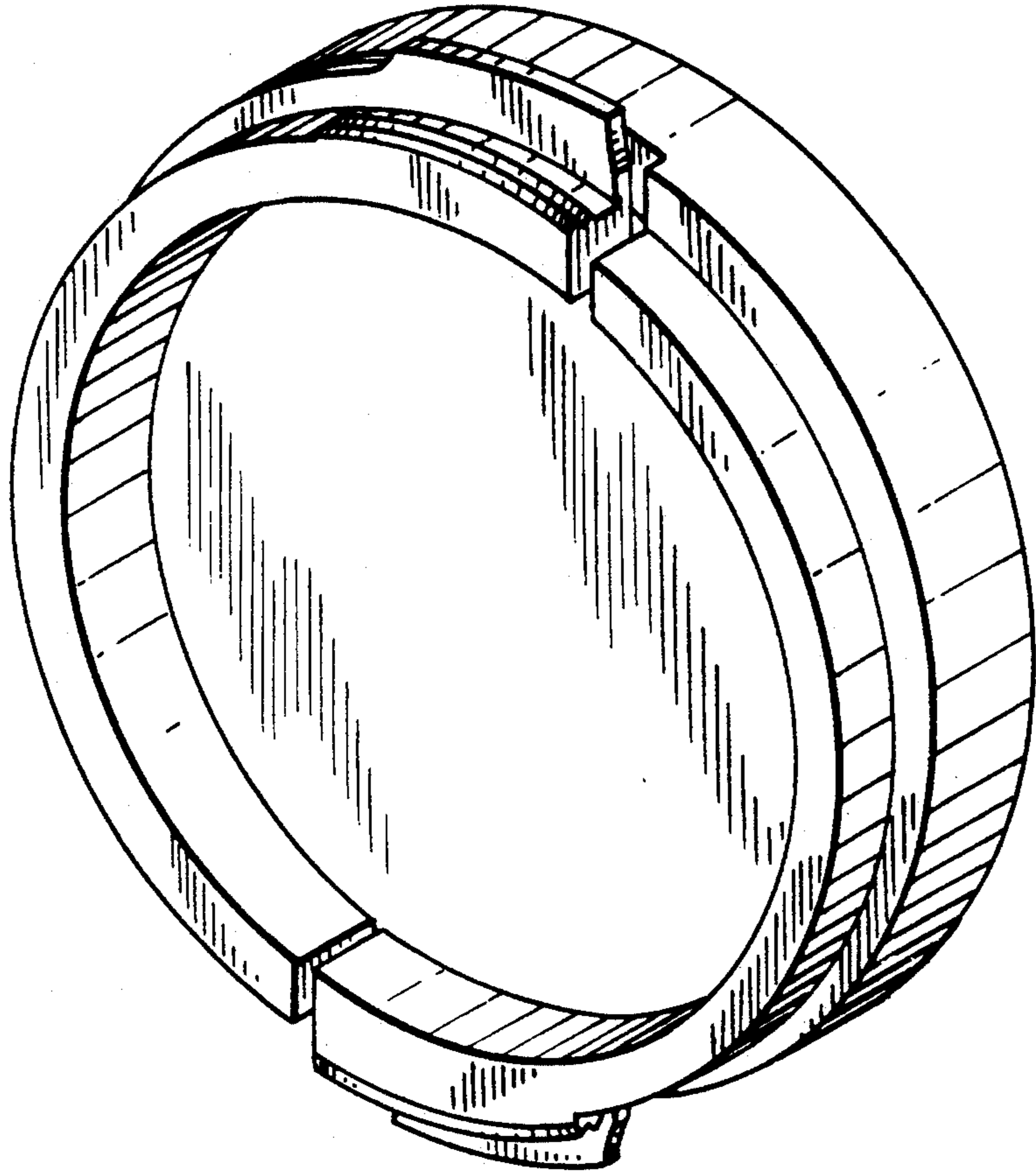


FIG. II

FIG. 10

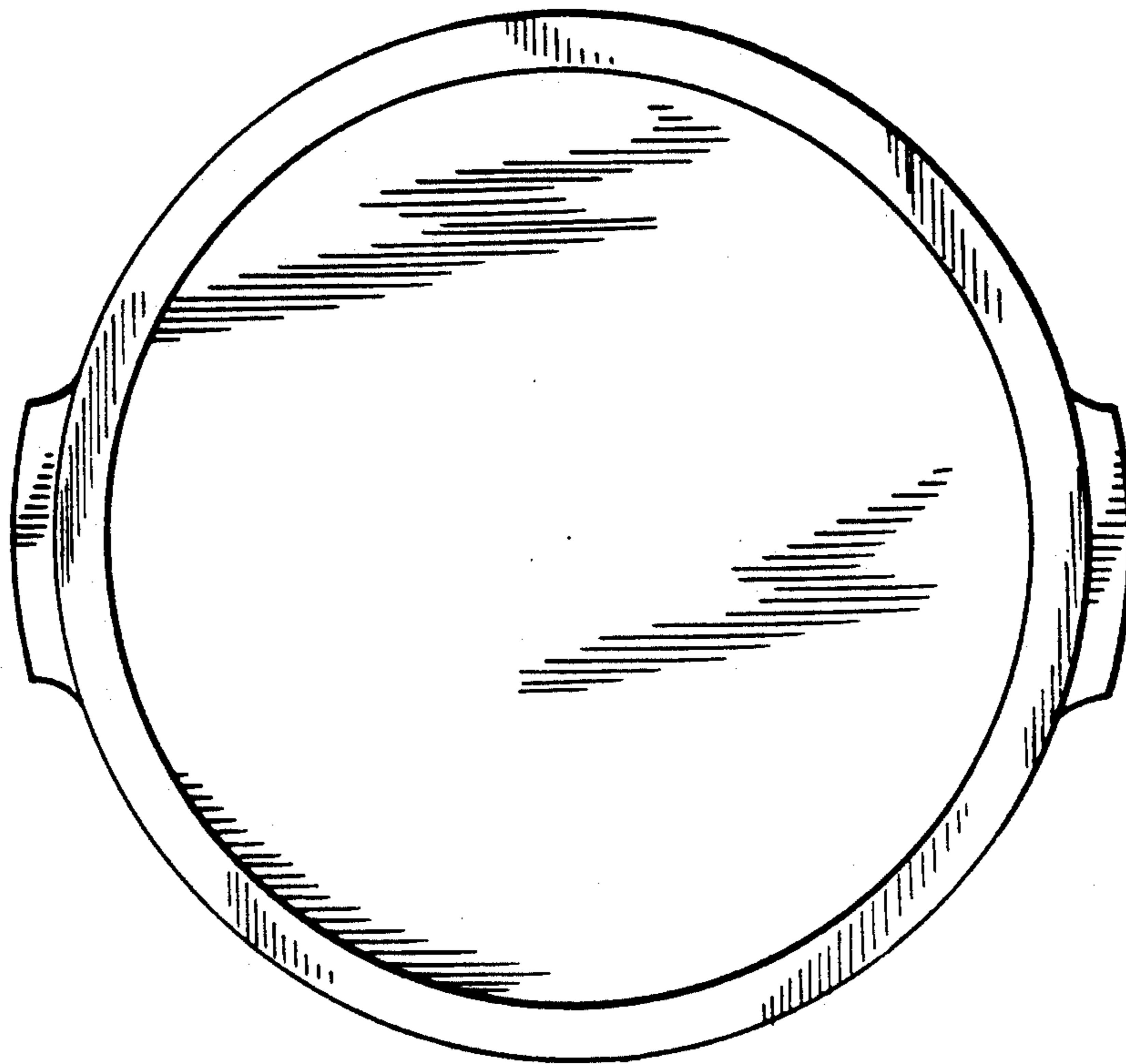


FIG. 9

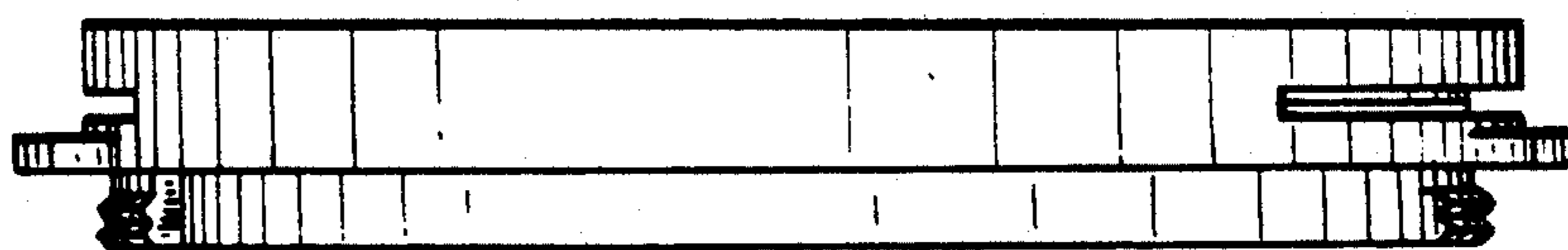


FIG. 8

