



US00D339598S

United States Patent [19]

Shimizu

[11] Patent Number: **Des. 339,598**

[45] Date of Patent: **** Sep. 21, 1993**

[54] TELEVISION CAMERA

3,568,583 3/1971 Horberg, Jr. 358/108
4,028,730 6/1977 Miller 358/229

[75] Inventor: **Norio Shimizu, Tokyo, Japan**

[73] Assignee: **Koyo Electronics Industries Co., Ltd., Tokyo, Japan**

[**] Term: **14 Years**

[21] Appl. No.: **793,684**

[22] Filed: **Nov. 18, 1991**

[30] Foreign Application Priority Data

Jun. 17, 1991 [JP] Japan 3-17718

[52] U.S. Cl. **D16/203; D16/202; D16/205**

[58] Field of Search **D16/200, 202, 203-205; 354/288; 358/108, 229, 906**

[56] References Cited

U.S. PATENT DOCUMENTS

D. 227,504 6/1973 Wentworth-Lang D16/202
D. 277,961 3/1985 Shimizu et al. D16/202
D. 303,674 9/1989 Shimizu et al. D16/202

OTHER PUBLICATIONS

Visual Methods Inc. Catalog, 1978 p. 1 (Surveillance TV Camera).

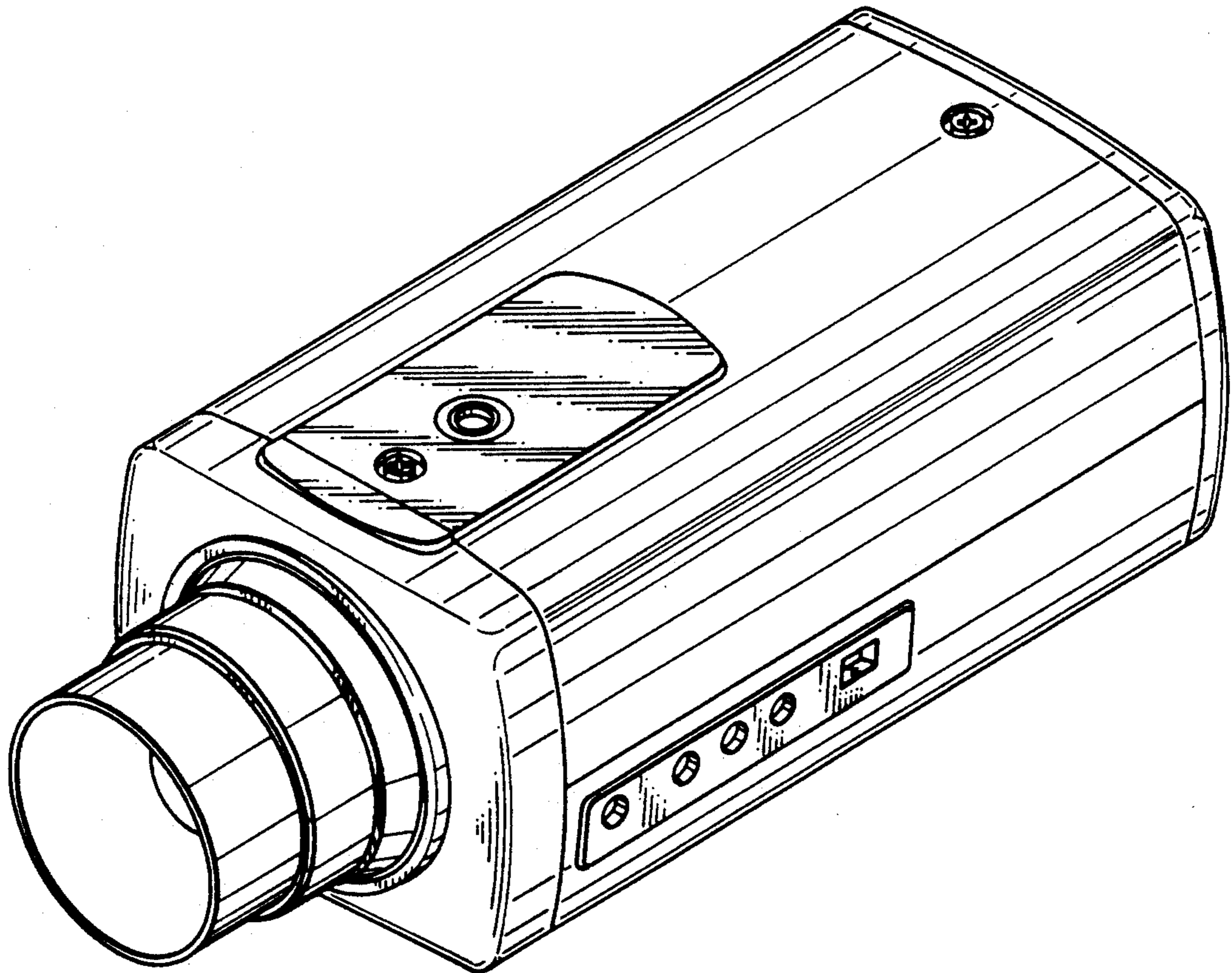
Primary Examiner—Bernard Ansher
Assistant Examiner—Adir Aronivich
Attorney, Agent, or Firm—Sughrue, Mion, Zinn, Macpeak & Seas

[57] CLAIM

The ornamental design for a television camera, as shown.

DESCRIPTION

FIG. 1 is a front, top and right side perspective view of a television camera showing my new design; FIG. 2 is a front elevational view thereof; FIG. 3 is a rear elevational view thereof; FIG. 4 is a left side elevational view thereof; FIG. 5 is a right side elevational view thereof; FIG. 6 is a top plan view thereof; and, FIG. 7 is a bottom plan view thereof.



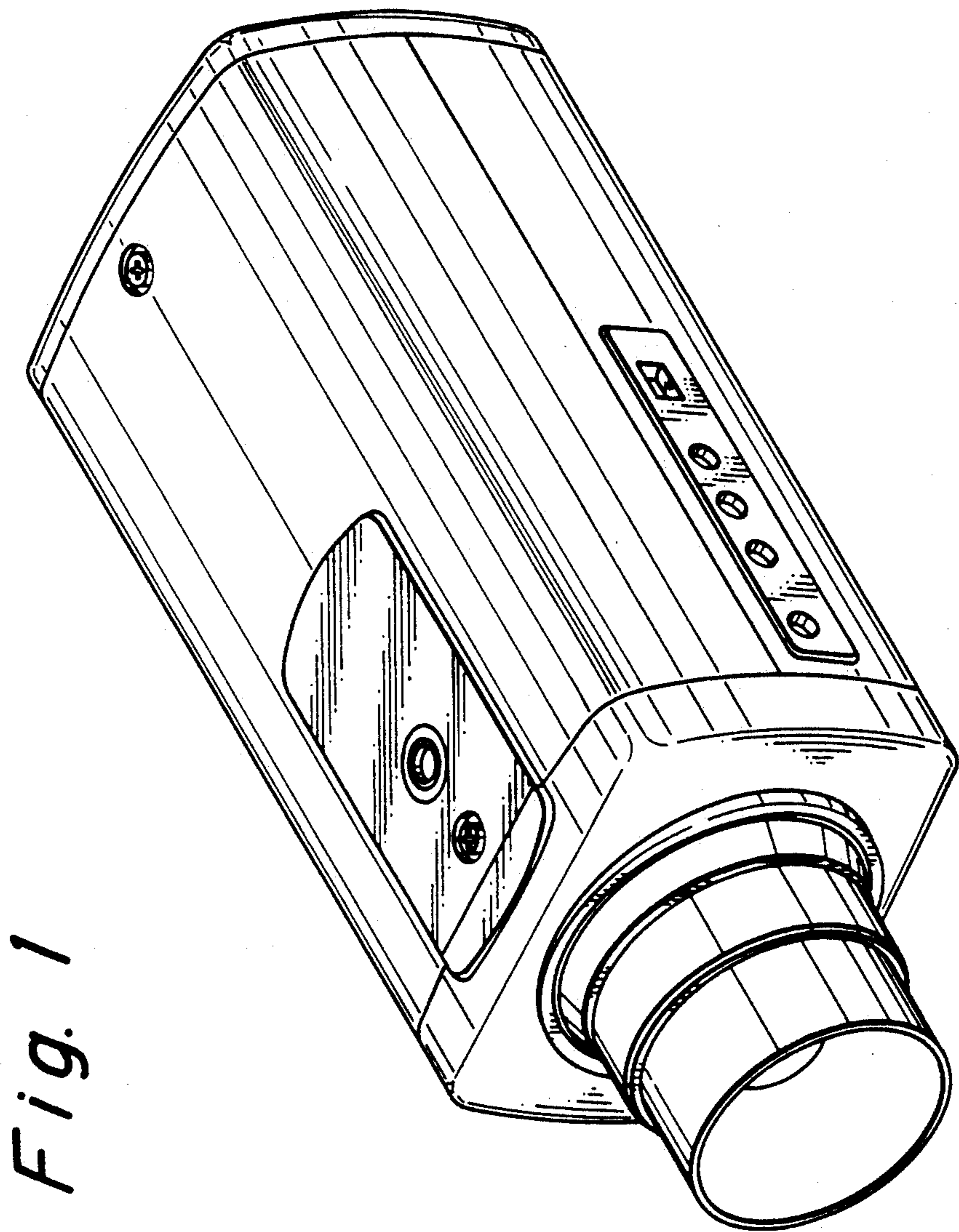


Fig. 1

Fig. 3

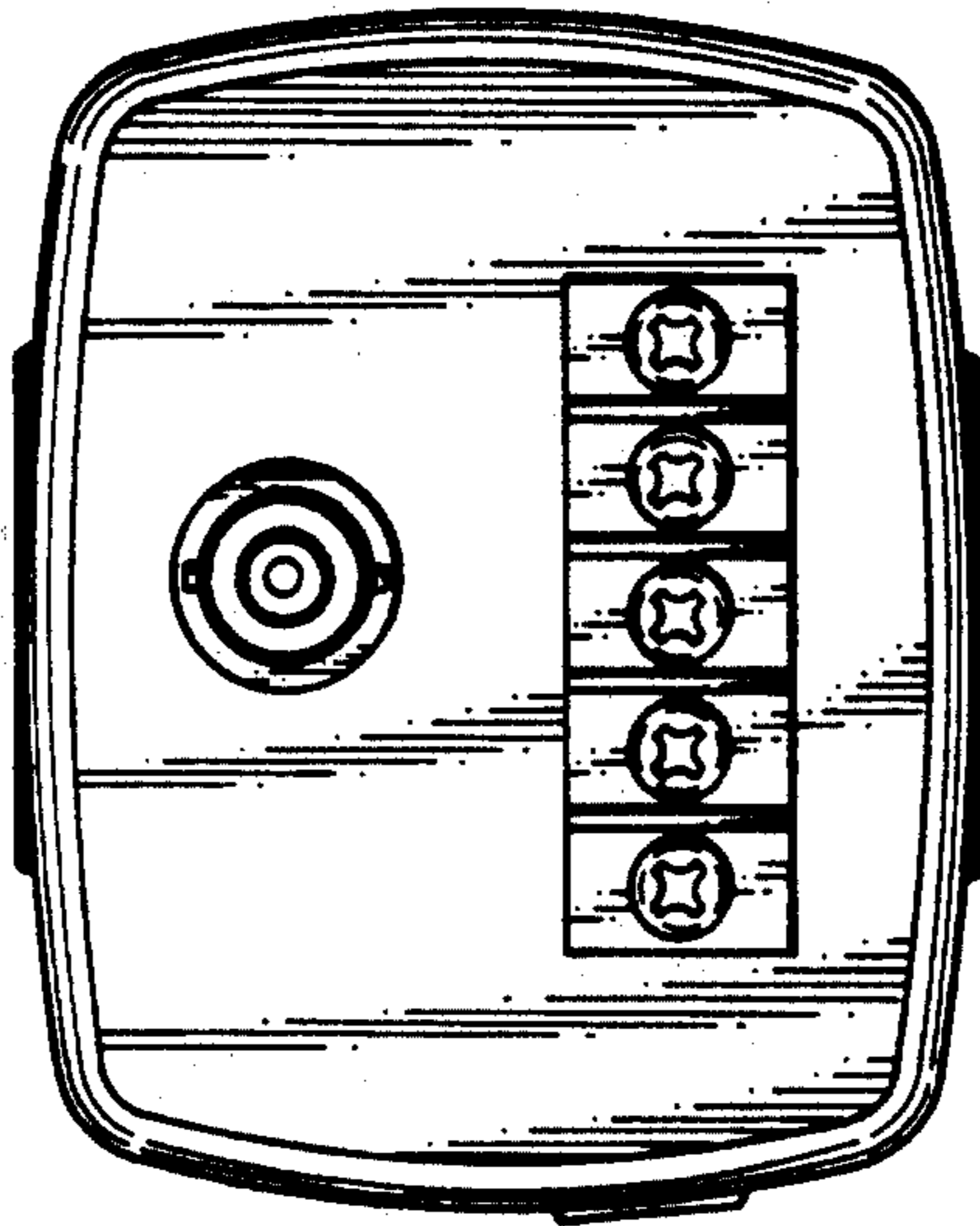


Fig. 2

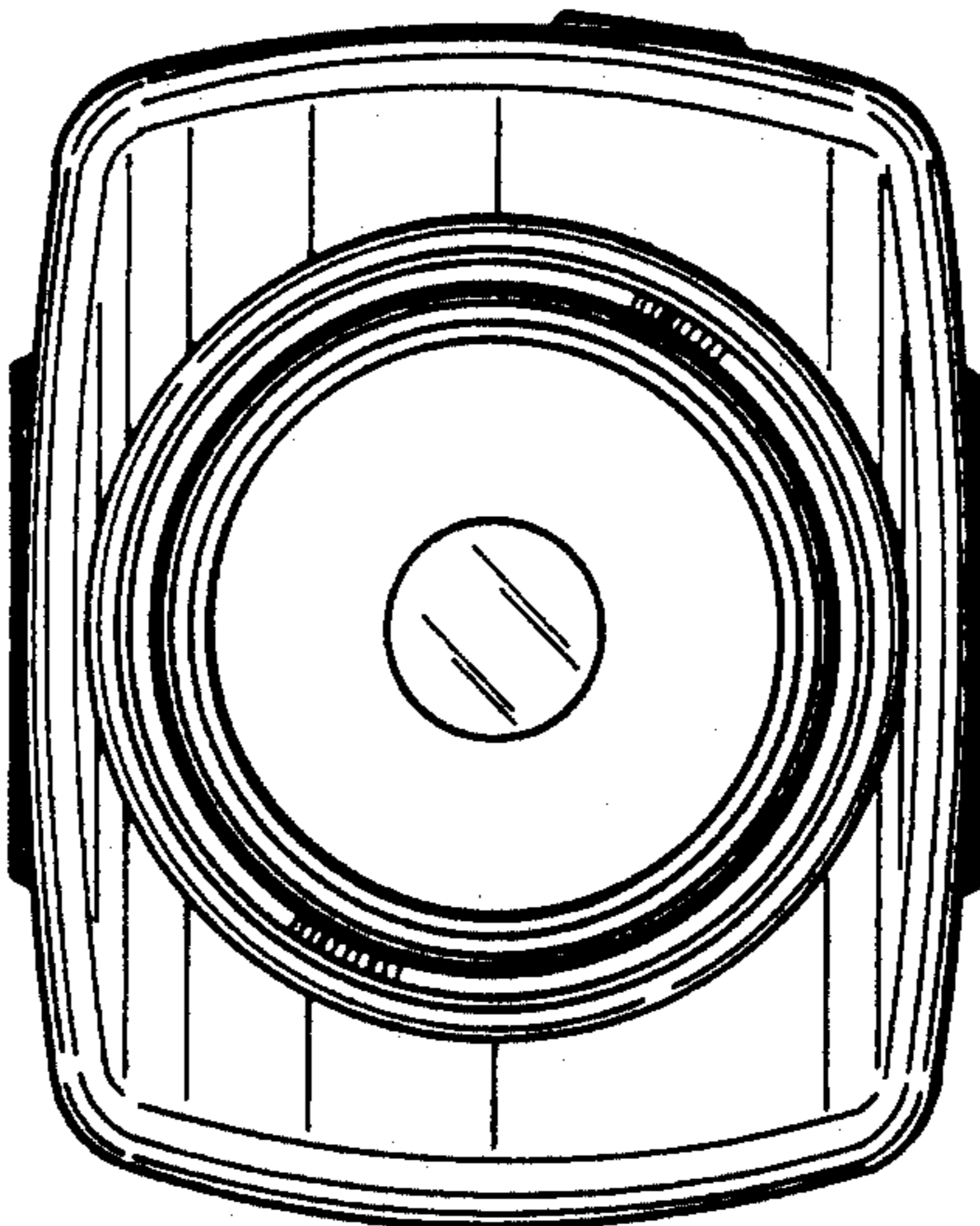


Fig. 4

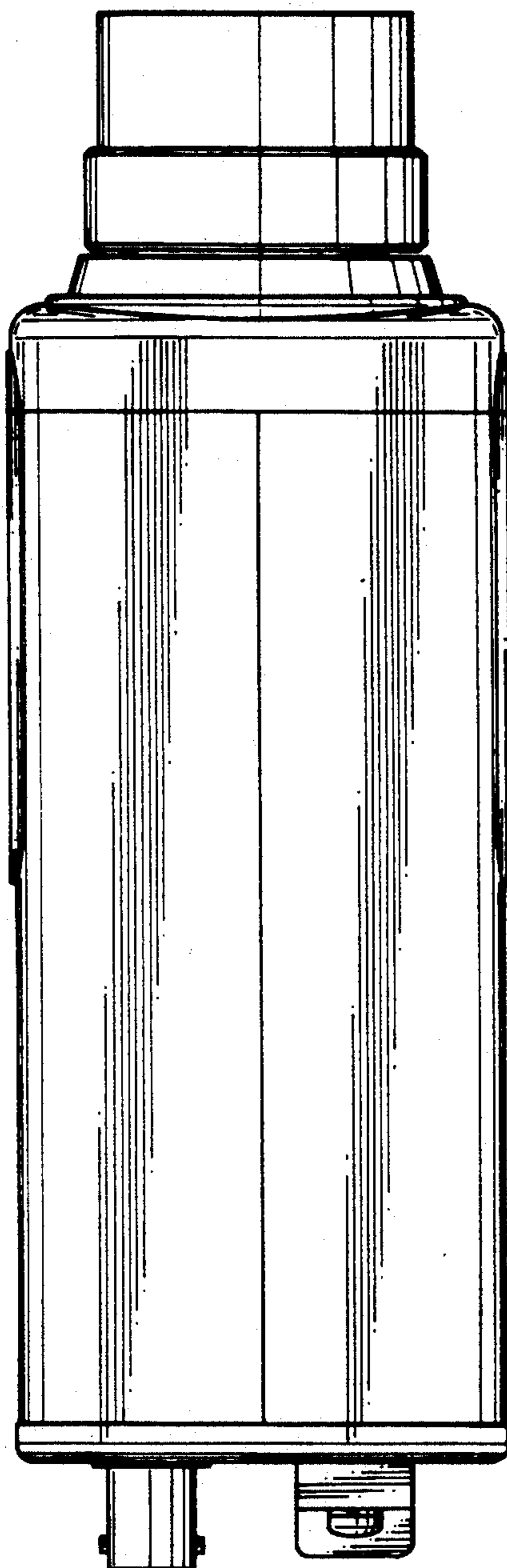


Fig. 5

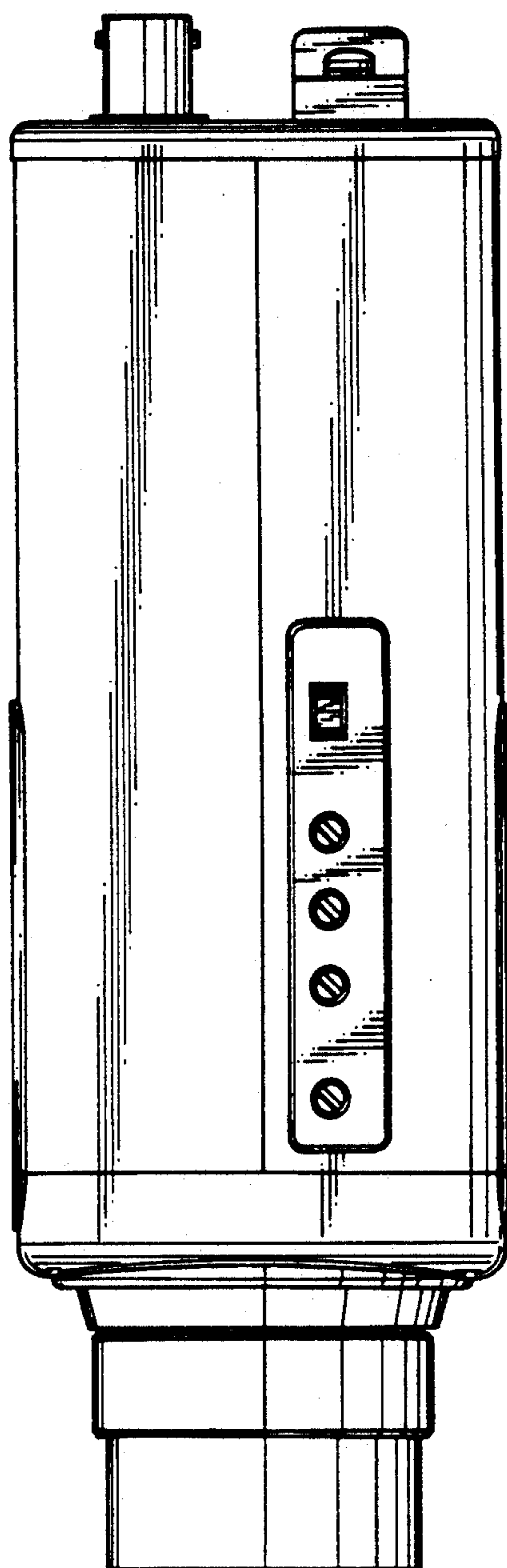


Fig. 6

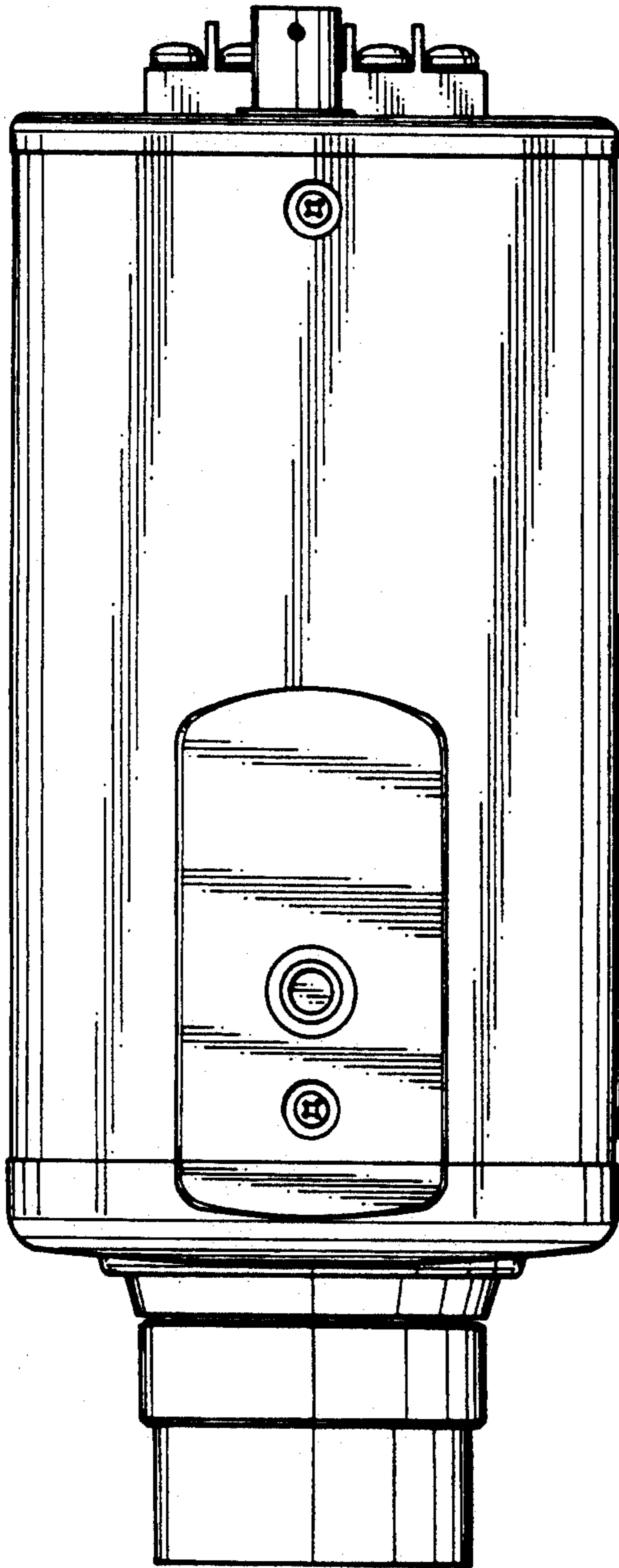


Fig. 7

