



US00D339595S

United States Patent [19]

[11] Patent Number: **Des. 339,595**

Waskiewicz

[45] Date of Patent: **** Sep. 21, 1993**

- [54] **PILLOW BLOCK BEARING HOUSING TOP**
- [75] Inventor: **Walter P. Waskiewicz, Bristol, Conn.**
- [73] Assignee: **The Torrington Company, Torrington, Conn.**
- [**] Term: **14 Years**
- [21] Appl. No.: **1,838**
- [22] Filed: **Nov. 23, 1992**

Related U.S. Application Data

- [62] Division of Ser. No. 920,719, Jul. 28, 1992.
- [52] U.S. Cl. **D15/143; D15/138**
- [58] Field of Search **D7/528, 532; D15/143, D15/138; D25/60; 388/29, 38, 43, 57, 428-444, 448, 541, 903**

[56] References Cited

U.S. PATENT DOCUMENTS

- 3,873,167 3/1975 Anderson .
- 3,936,099 2/1976 Braun et al. .
- 4,005,917 2/1977 Richardson et al. 384/432 X
- 4,758,101 7/1988 Roof, Sr. et al. .

FOREIGN PATENT DOCUMENTS

- 689910 4/1953 United Kingdom 384/440

OTHER PUBLICATIONS

Product Engineering Link-Belt Flex-Block Sleeve Bearing, Feb. 1962, p. 8.

Fafnir, Single Pillow Blocks-Standard Series (RAKH) Type ©11966, p. 94.
 A portion of an undated publication of Amoco Performance Products entitled "Polysulfone Design Engineering Data".
 Page from sales brochure of SKF GmbH, Schweinfurt, Fed. Rep. of Germany.
 Page from sales brochure of Dodge Division, Reliance Electric Company, Cleveland, Ohio.
 Pages (2) from sales brochure of The Torrington Company, Torrington, Conn.

Primary Examiner—Alan P. Douglas
Assistant Examiner—Antoine D. Davis
Attorney, Agent, or Firm—John C. Bigler

[57] CLAIM

The ornamental design for a pillow block bearing housing top, as shown and described.

DESCRIPTION

FIG. 1 is an isometric view of the left side, top and front of a pillow block bearing housing top showing my design;
 FIG. 2 is a front view of my pillow block bearing housing top design;
 FIG. 3 is a top view of my pillow block bearing housing top design; and,
 FIG. 4 is a side view of my pillow block bearing housing top design.
 The broken line showing of a pillow block bearing housing is for illustrative purposes only and forms no part of the claimed design.

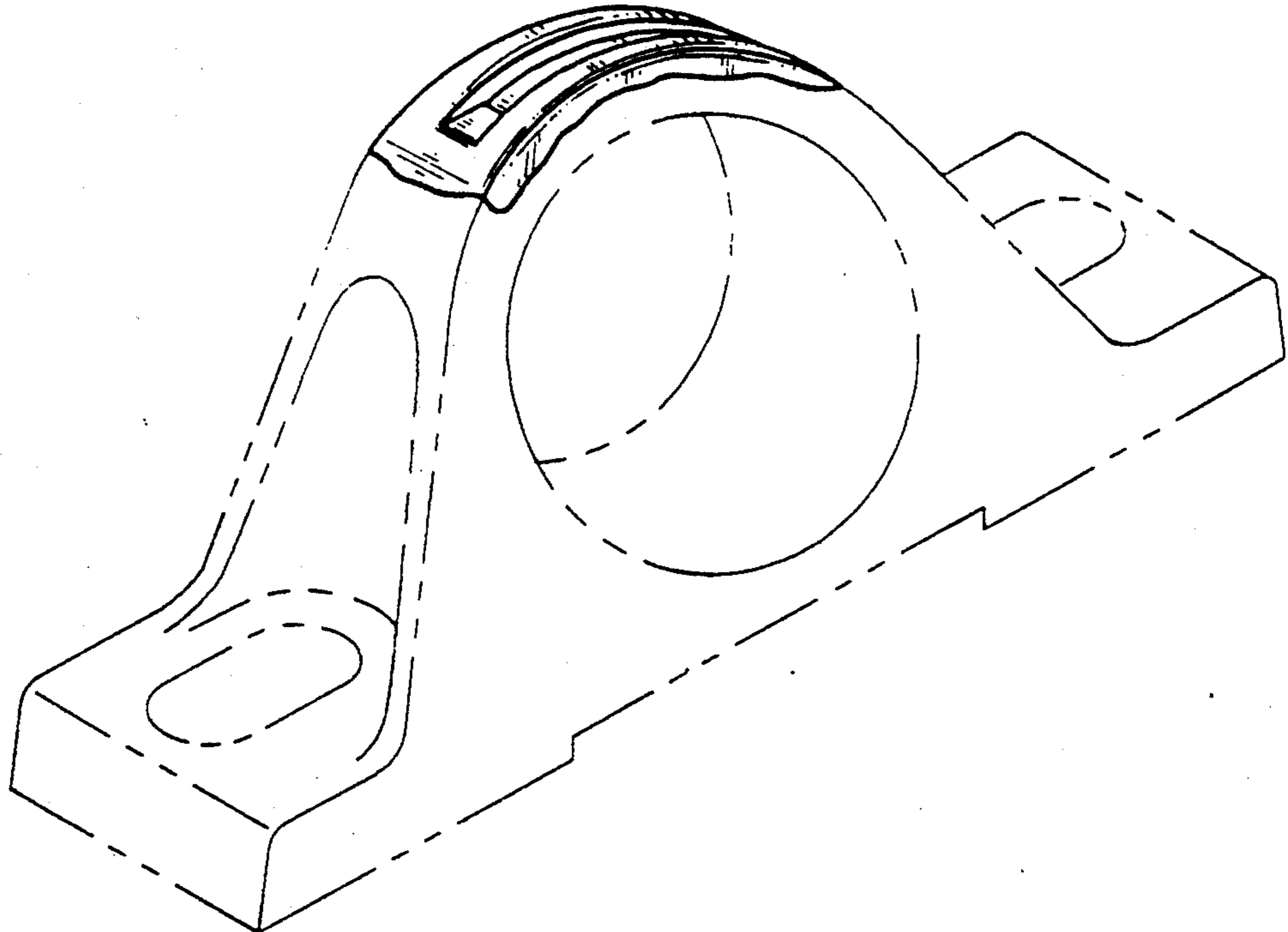


FIG. 1

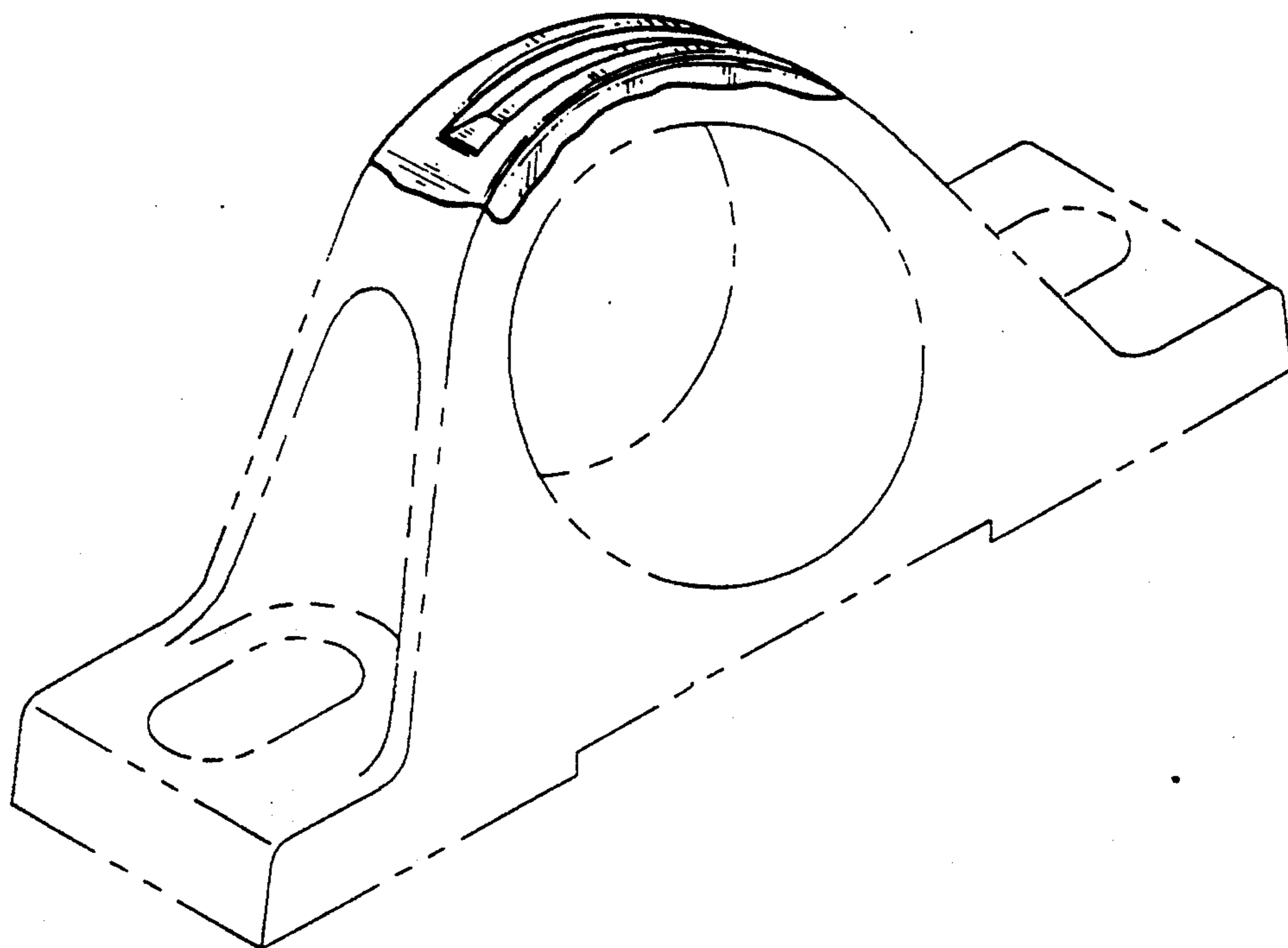


FIG. 2

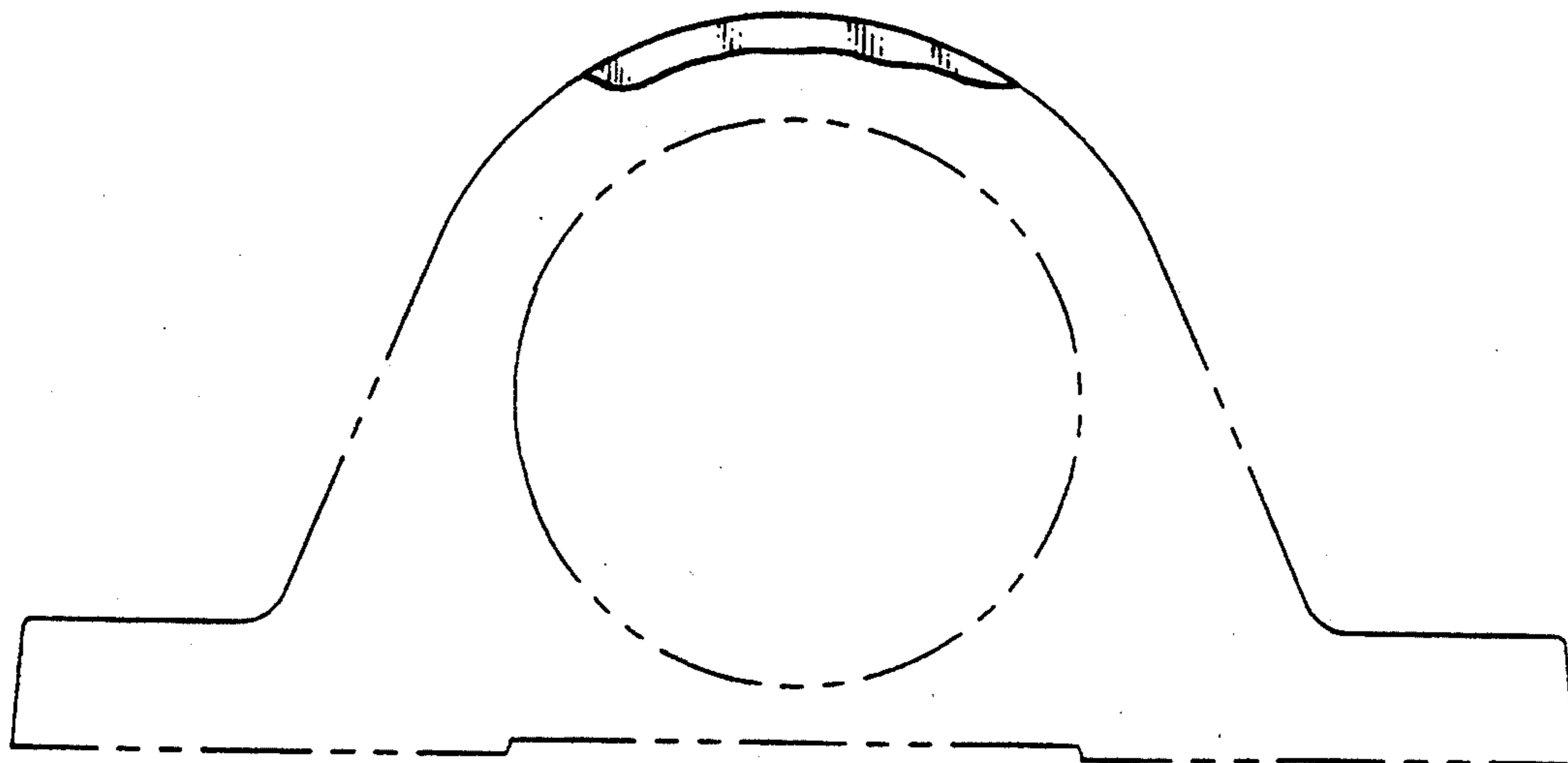


FIG. 3

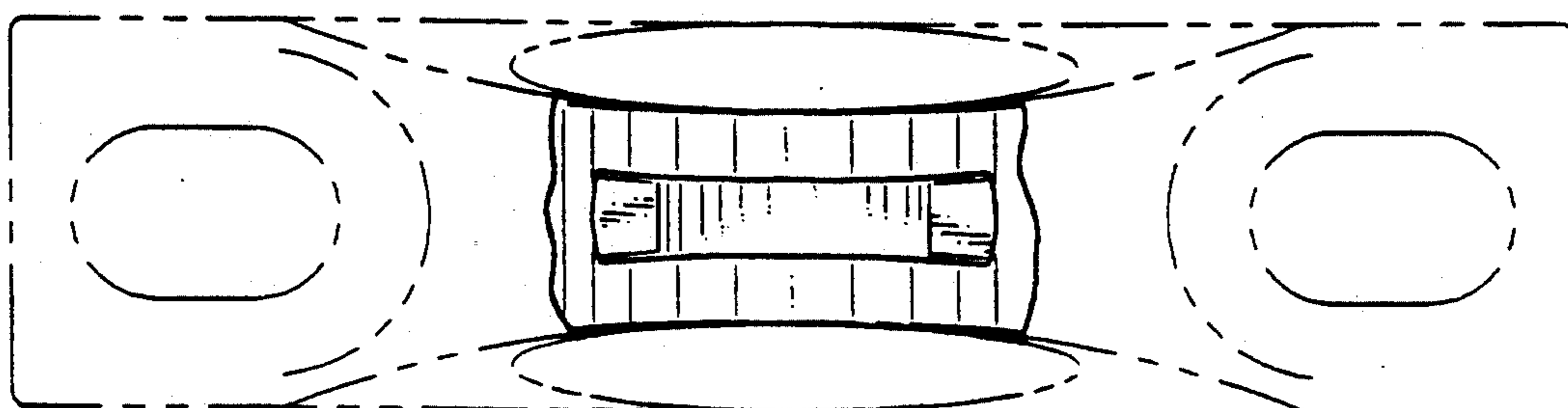


FIG. 4

