



US00D339592S

United States Patent [19]

[11] Patent Number: **Des. 339,592**

Johansson

[45] Date of Patent: **** Sep. 21, 1993**

[54] **ADAPTER FOR A TOOTH POINT**

[75] Inventor: **Arne Johansson, Karlskoga, Sweden**

[73] Assignee: **Components Tools AB, Karlskoga, Sweden**

[**] Term: **14 Years**

[21] Appl. No.: **592,500**

[22] Filed: **Oct. 3, 1990**

4,587,751 5/1986 Sjogren et al. 37/142 R
 4,932,145 6/1990 Reeves, Jr. 37/142 R
 4,965,945 10/1990 Emrich 37/142 R

OTHER PUBLICATIONS

Swedish Published Design Appln. 89-2271, published Mar. 6, 1991.
 Swedish Published Design Appln. 90-1372, published Mar. 6, 1991.

Primary Examiner—Bernard Ansher
Assistant Examiner—Sandra Morris
Attorney, Agent, or Firm—Pollock, Vande Sande & Priddy

[30] **Foreign Application Priority Data**
 Apr. 3, 1990 [SE] Sweden 900770

[52] **U.S. Cl.** **D15/29**

[58] **Field of Search** **D15/10, 23-25, D15/28, 29, 32; 37/103, 117.5, 118, 141 R, 141 T, 142 R, 142 A, DIG. 12; 414/722**

[57] **CLAIM**

The ornamental design for an adapter for a tooth point, as shown and described.

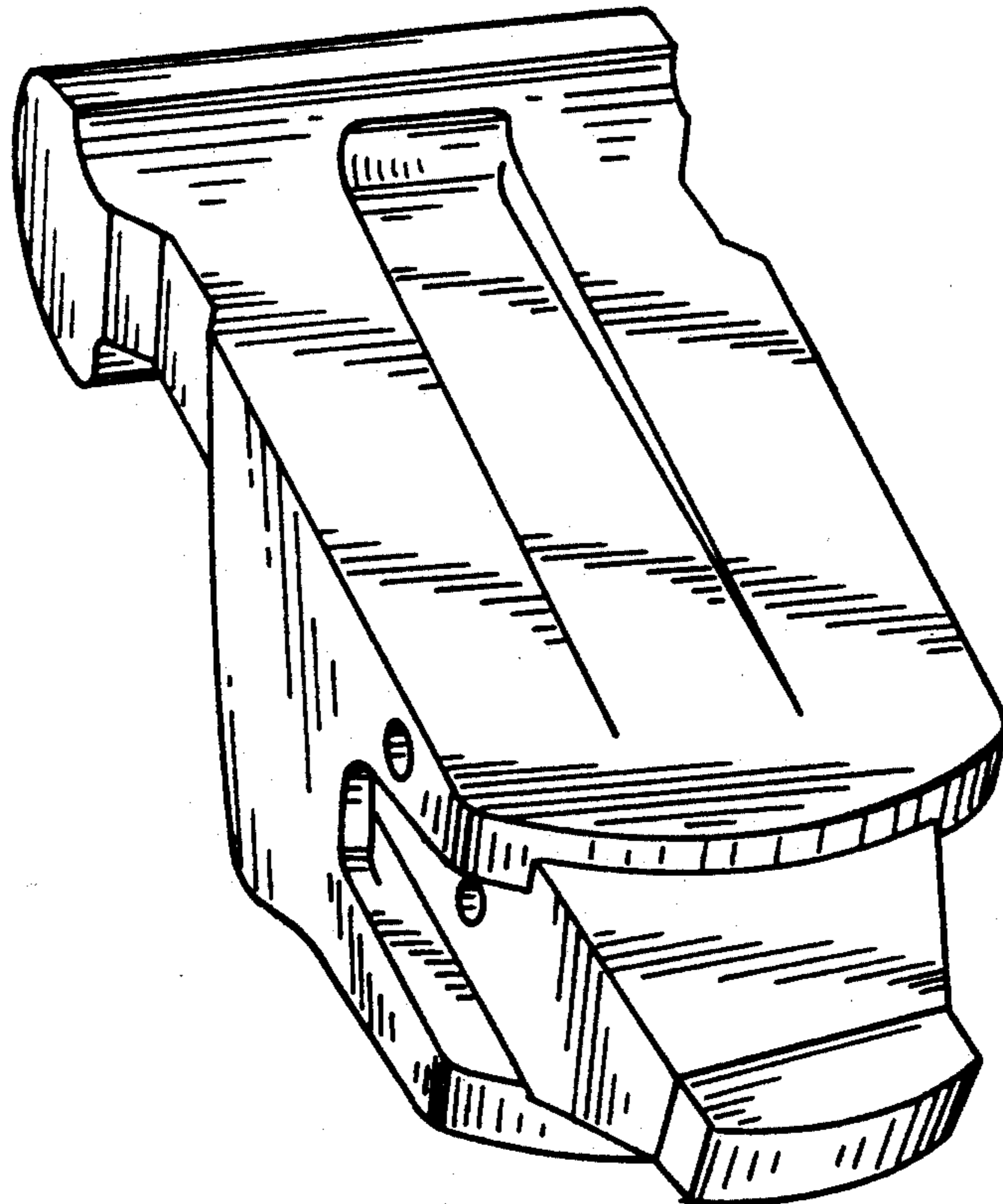
[56] **References Cited**

U.S. PATENT DOCUMENTS

D. 251,431 3/1979 Klett et al. D15/28
 D. 275,859 10/1984 Nilsson D15/29
 4,414,764 11/1983 Johansson et al. 37/141 T
 4,457,085 7/1984 Arnold 37/103
 4,501,079 2/1985 Hahn et al. 37/142 R

DESCRIPTION

FIG. 1 is a top, left perspective view of an adapter for a tooth point, showing my new design;
 FIG. 2 is a top, right perspective view thereof;
 FIG. 3 is a bottom, rear perspective view thereof;
 FIG. 4 is a perspective view of my adapter shown in use with one sample of an adapter for tooth point; and,
 FIG. 5 is a bottom, rear perspective view thereof.



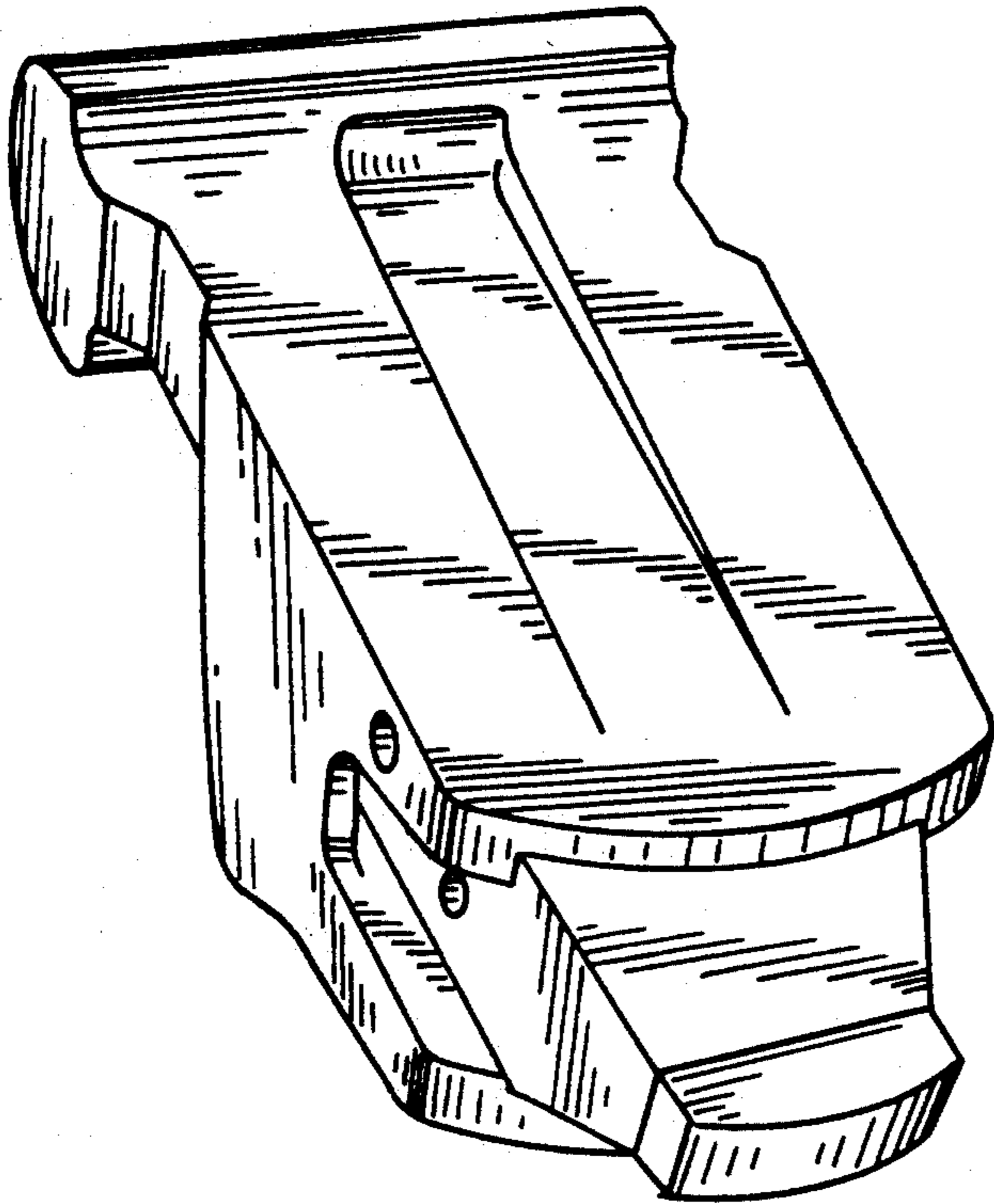


FIG. 1

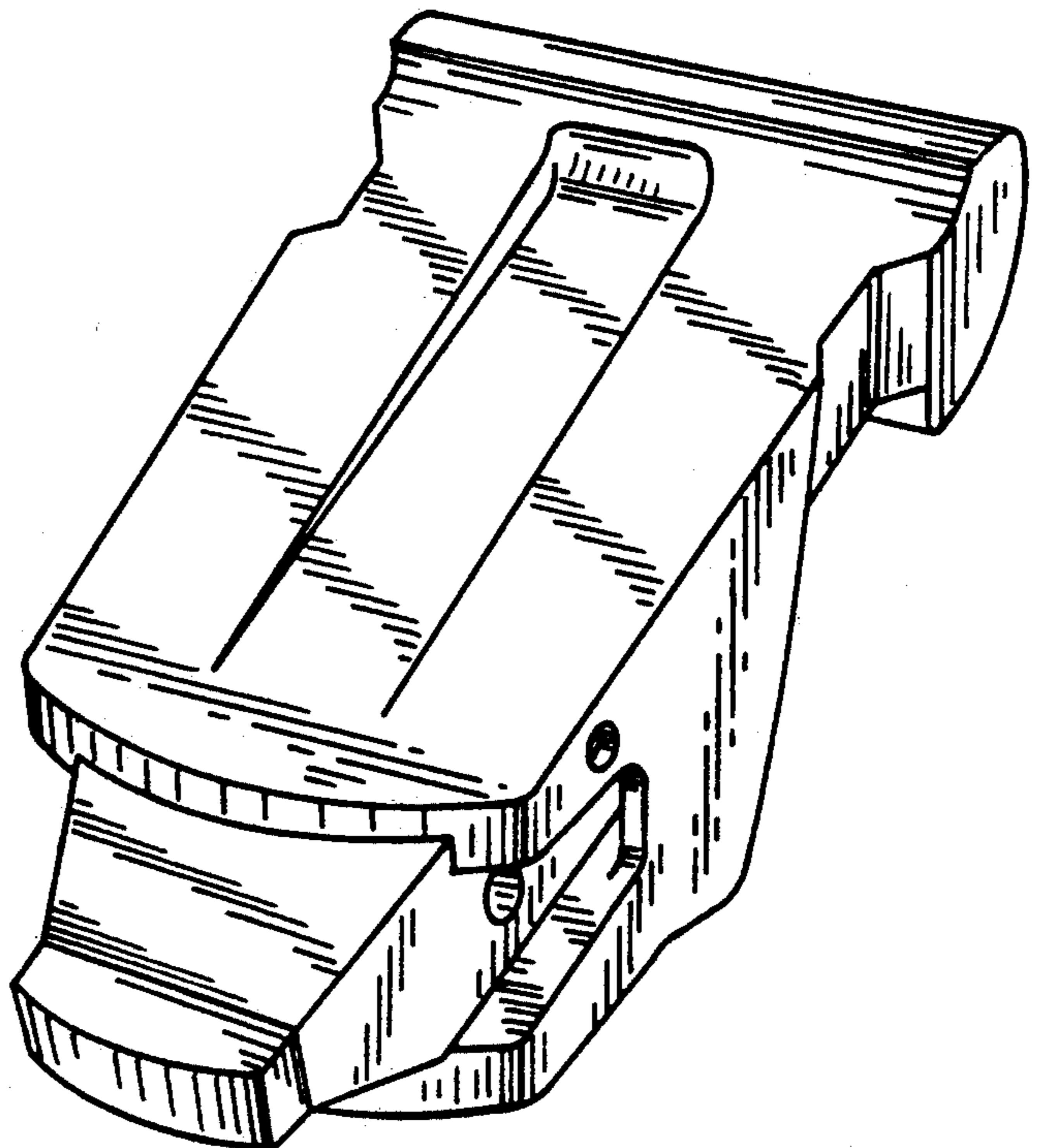


FIG. 2

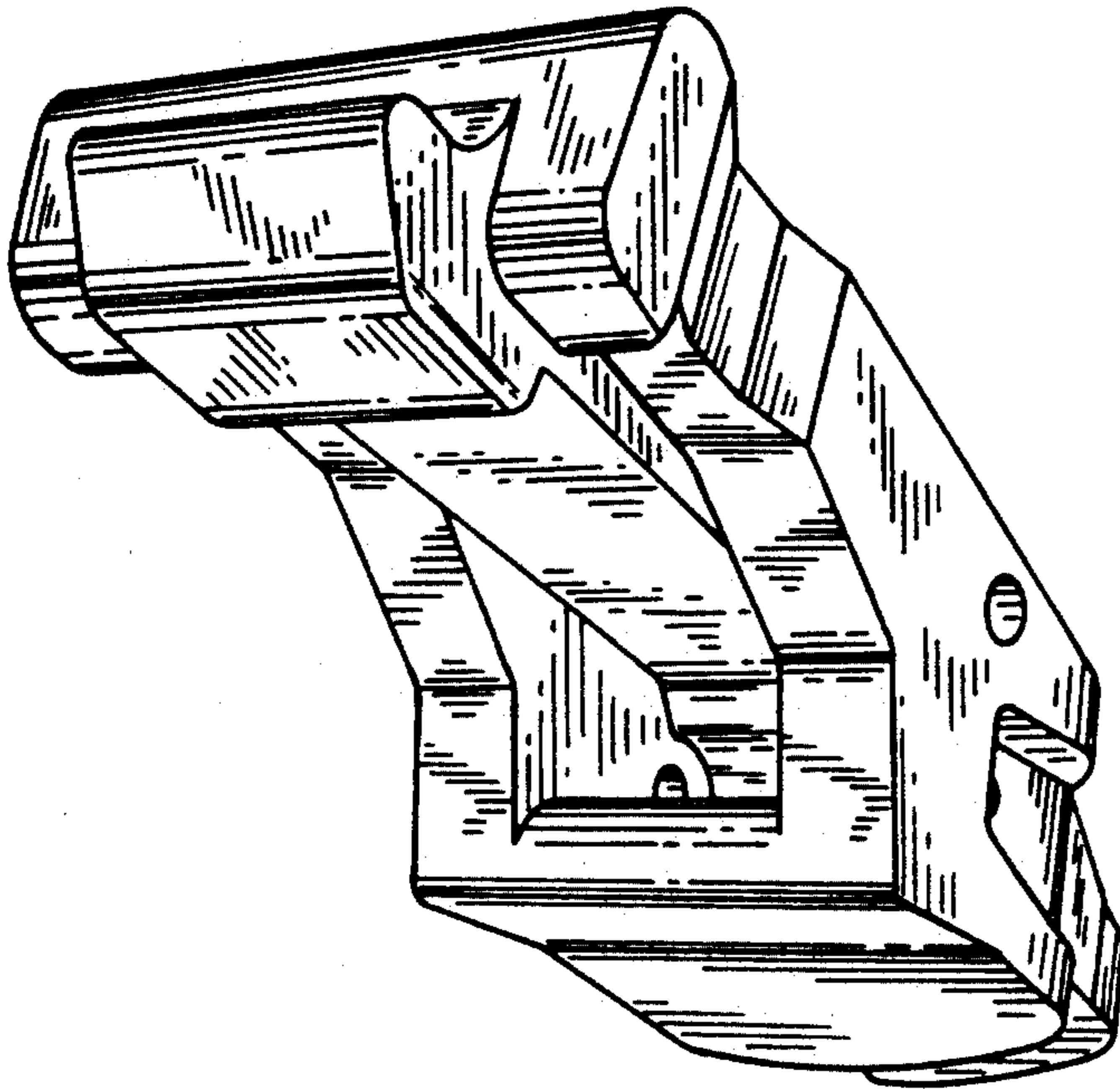
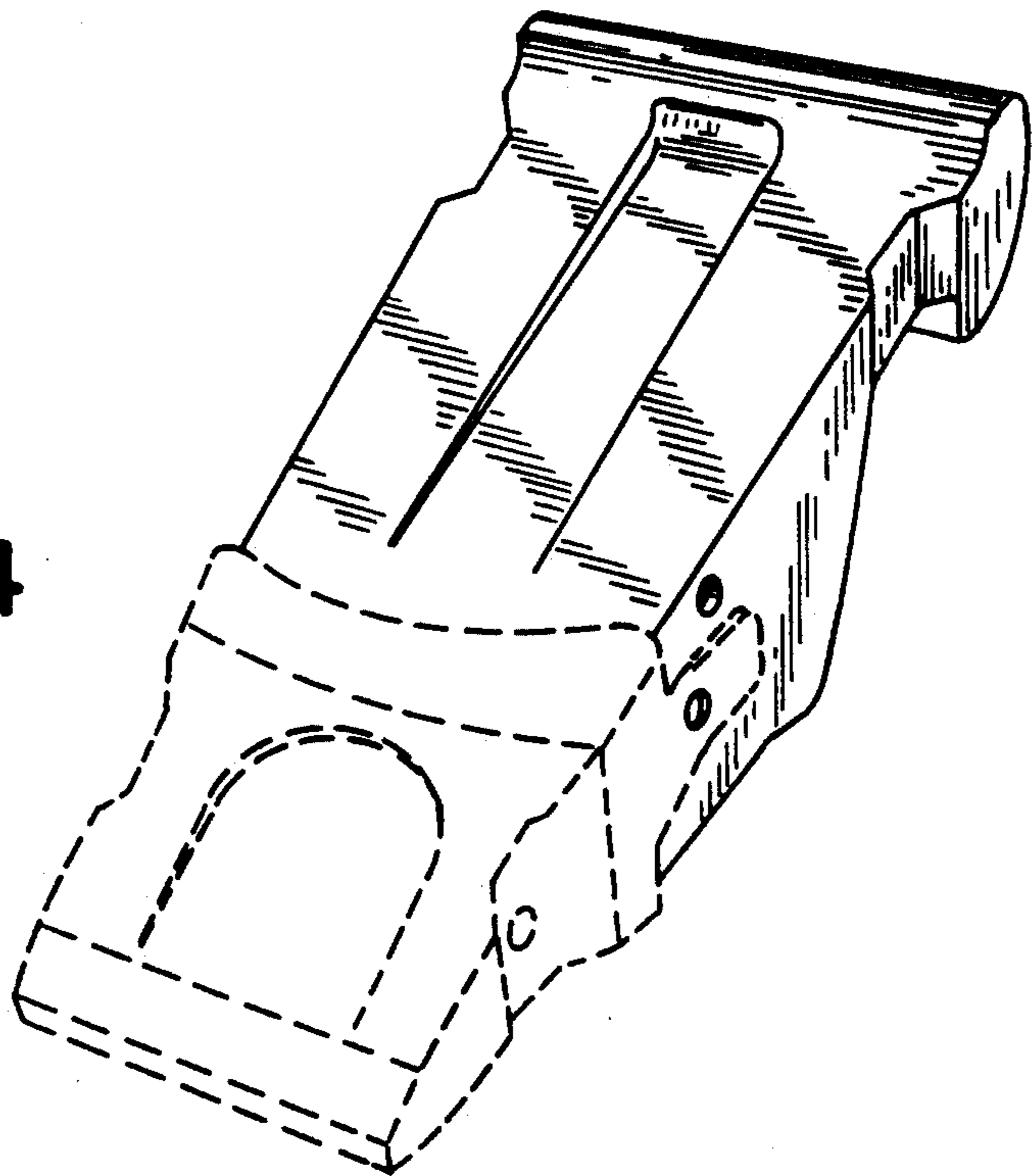


FIG. 3

FIG. 4



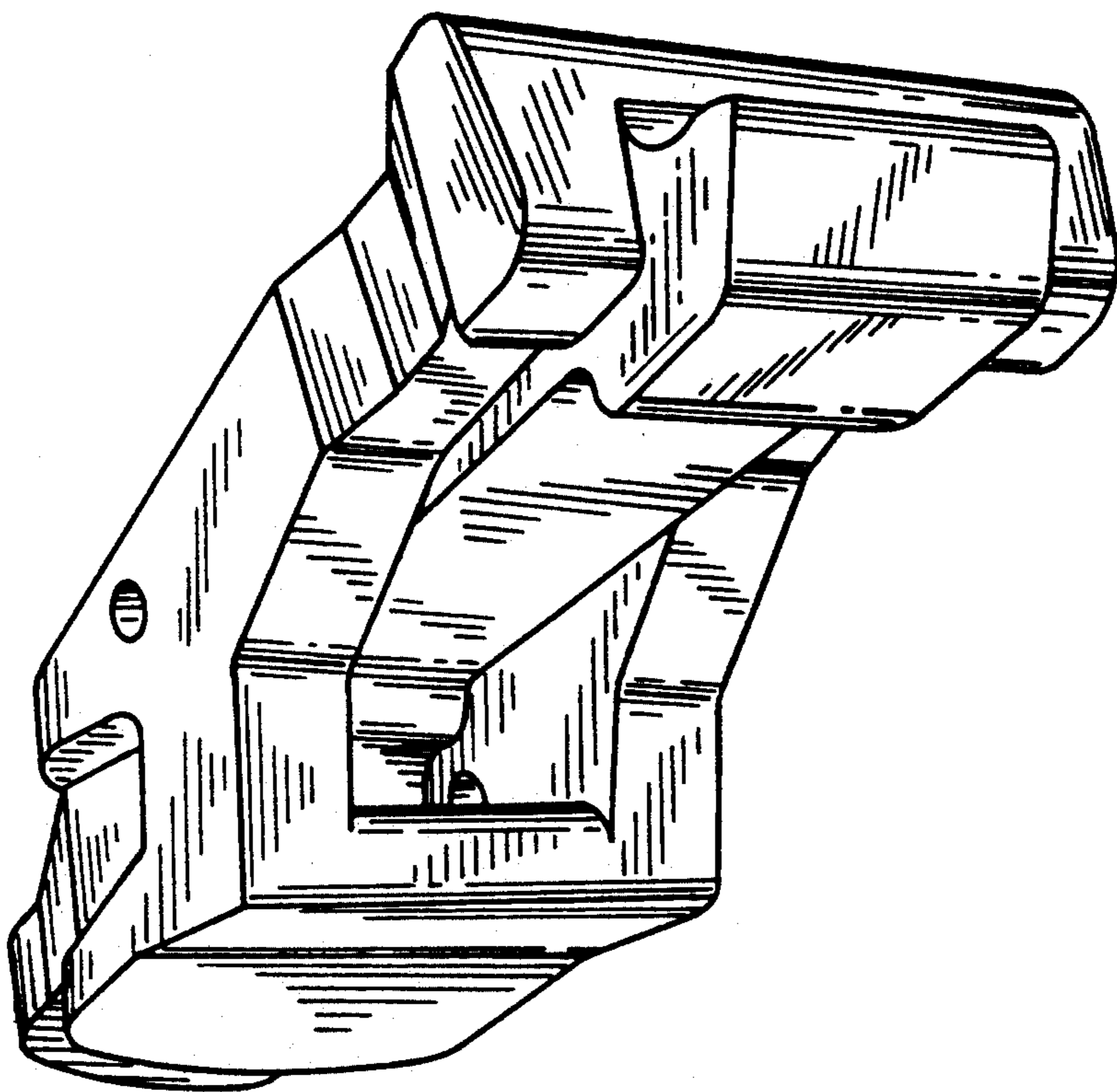


FIG. 5