



US00D339591S

United States Patent [19]

Karlsson et al.

[11] Patent Number: **Des. 339,591**

[45] Date of Patent: **** Sep. 21, 1993**

[54] **SUPPORT MEMBER FOR CLEARING SAW**

[56]

References Cited

U.S. PATENT DOCUMENTS

| | | | |
|------------|--------|---------------------|------------|
| D. 258,228 | 2/1981 | Rumbaugh | D15/18 |
| 4,347,880 | 9/1982 | van der Merwe | 30/296.1 X |
| 4,505,040 | 3/1985 | Everts | 30/296.1 |
| 4,953,294 | 9/1990 | Dohse | 30/296.1 X |

[75] Inventors: **Kenneth Karlsson, Huskvarna; Bengt Arvidsson, Strömnäsbruk; Mikael Norss; Mats Svensson, both of Jönköping, all of Sweden**

Primary Examiner—Alan P. Douglas
Assistant Examiner—Antoine D. Davis
Attorney, Agent, or Firm—Harness, Dickey & Pierce

[73] Assignee: **Husqvarna Forest & Garden AB, Huskvarna, Sweden**

[57] CLAIM

[**] Term: **14 Years**

The ornamental design for a support member for clearing saw, as shown and described.

[21] Appl. No.: **727,141**

DESCRIPTION

[22] Filed: **Jul. 9, 1991**

FIG. 1 is a perspective view of a support member for clearing saw showing the design;
FIG. 2 is a front elevational view thereof;
FIG. 3 is a rear elevational view thereof;
FIG. 4 is a side elevational view thereof;
FIG. 5 is a bottom plan view thereof;
FIG. 6 is an elevational view thereof; and,
FIG. 7 is a top plan view thereof.

[52] U.S. Cl. **D15/18; D15/142**

[58] Field of Search **D15/14-18, D15/133, 138, 141, 142; 83/840; 144/34 F; 30/296.1, 298, 298.4; 224/101**

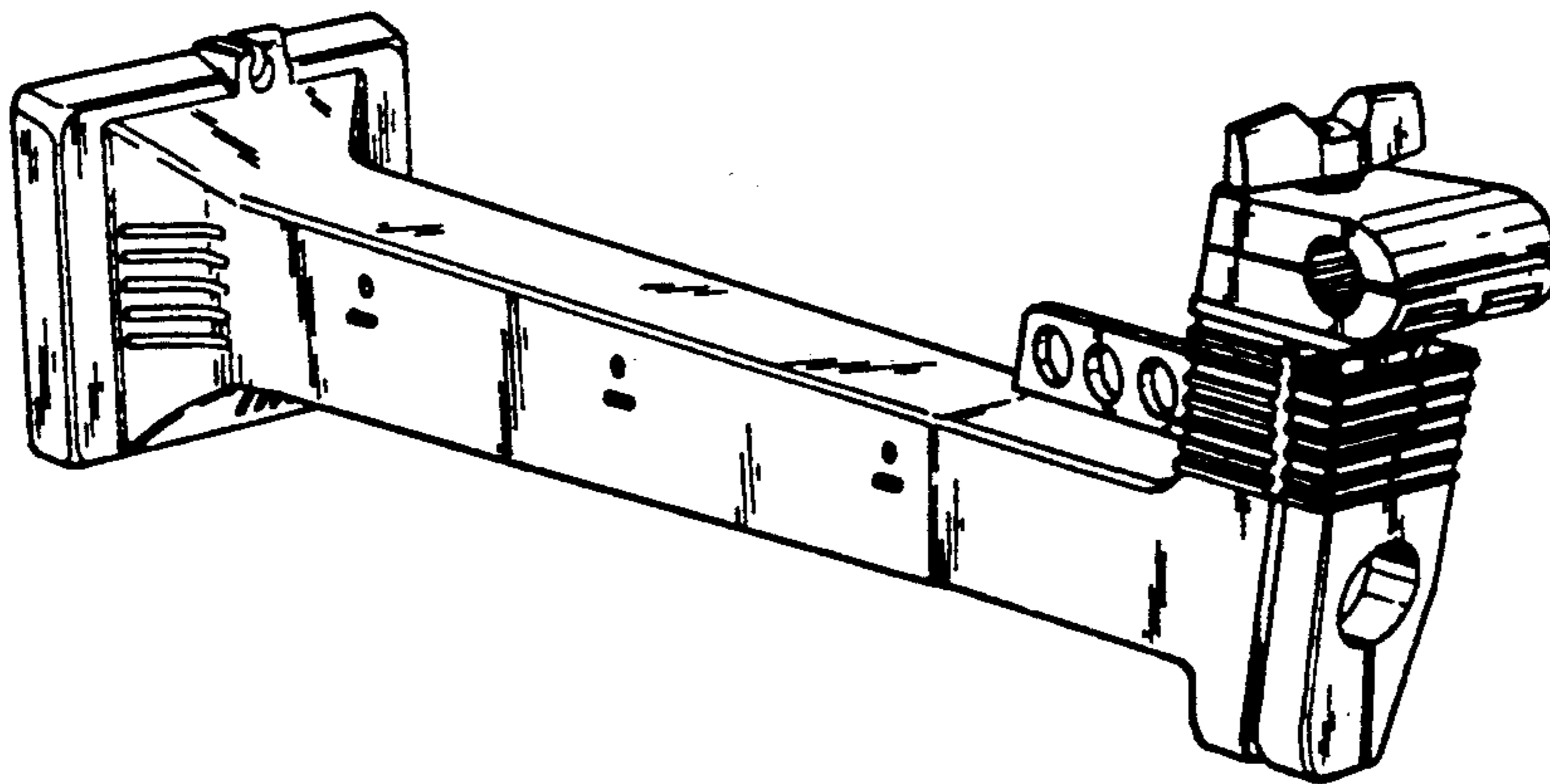


Fig.1

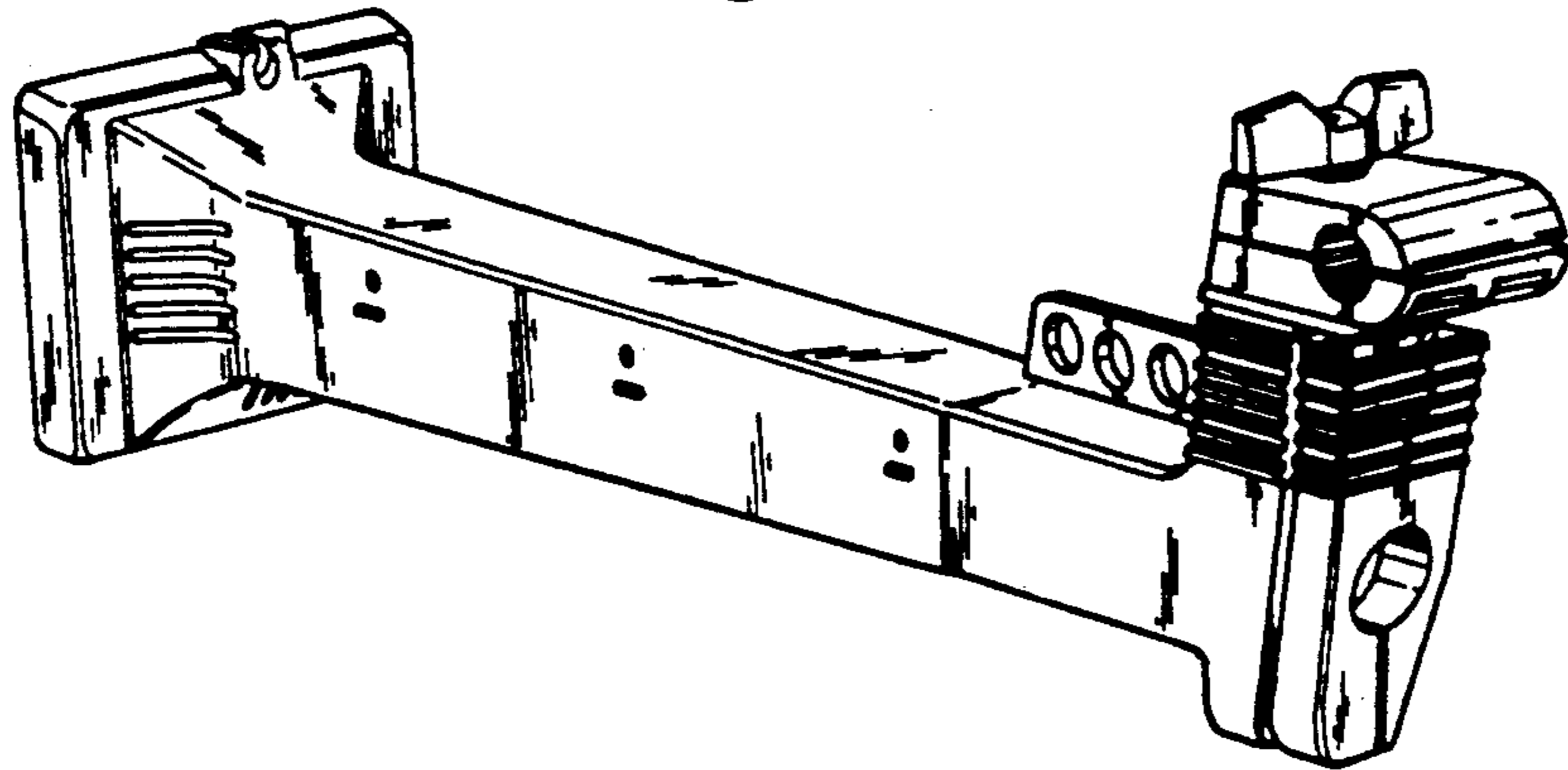


Fig.2

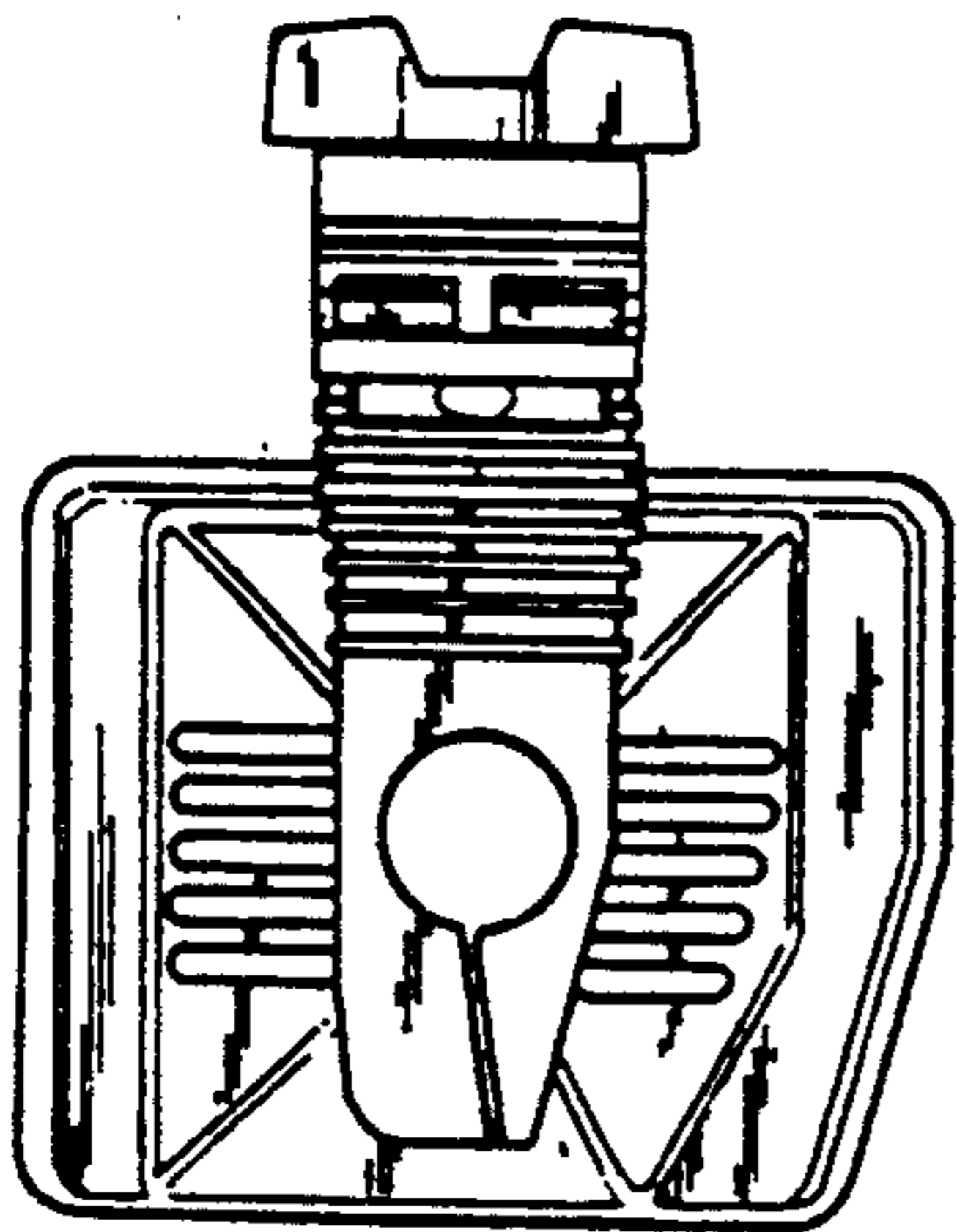


Fig.3

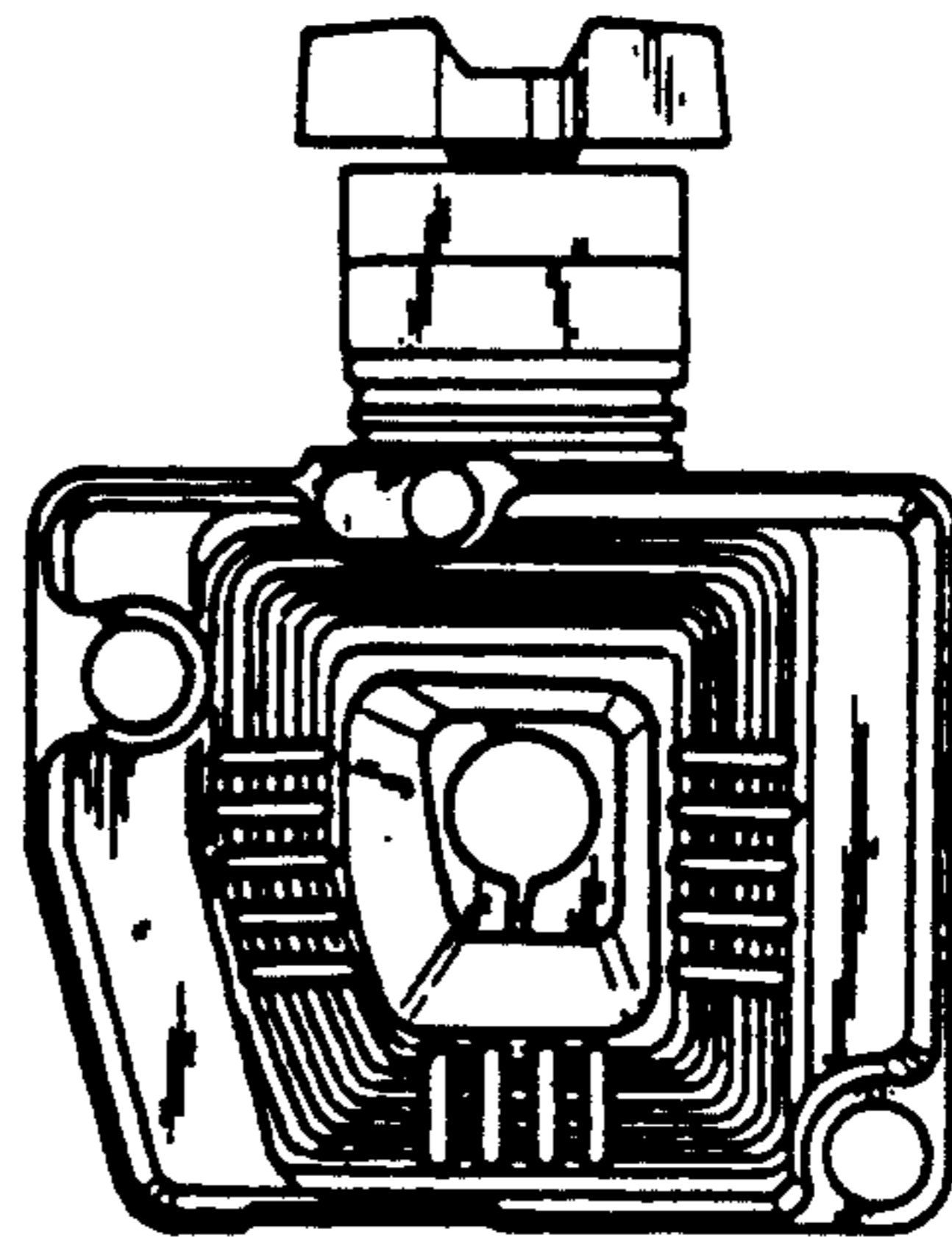


Fig. 4

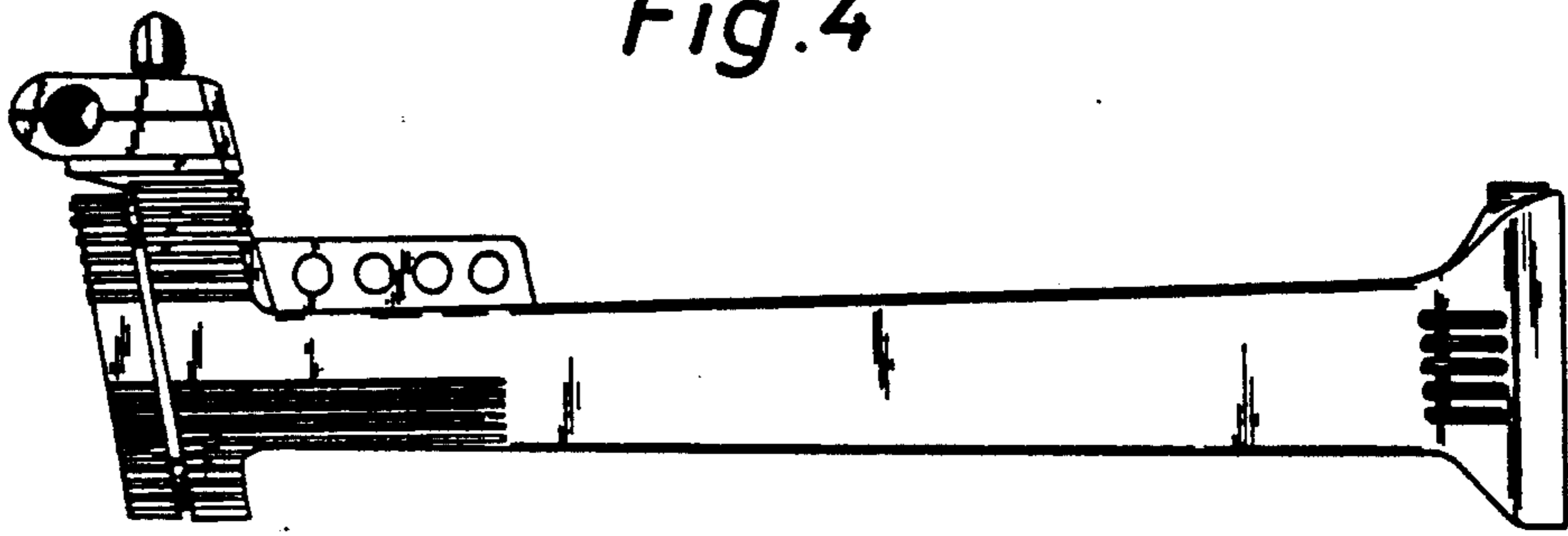


Fig. 5

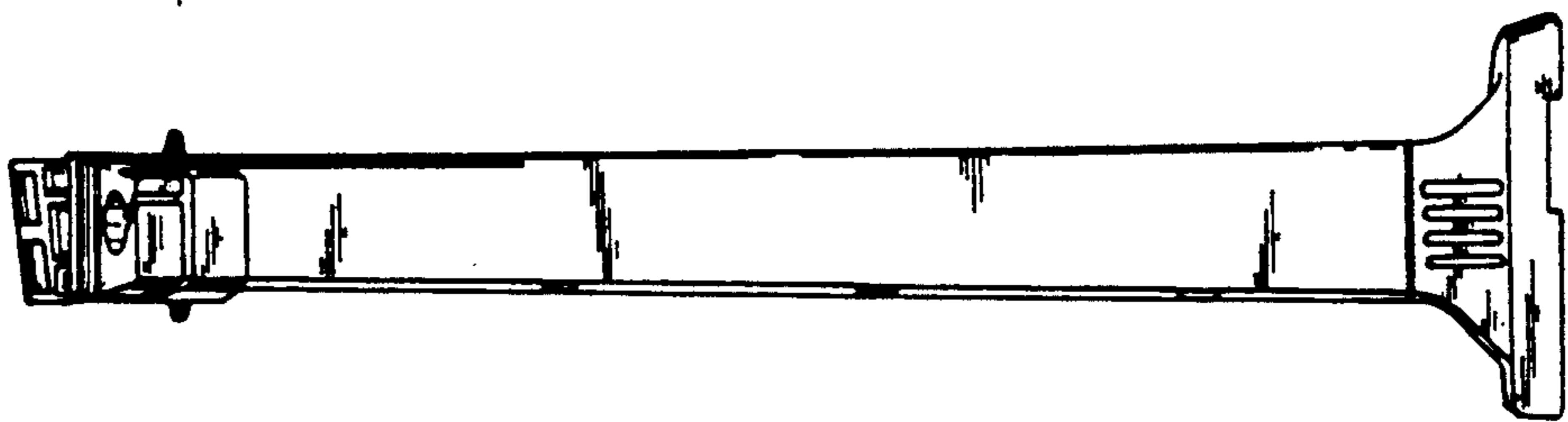


Fig. 6

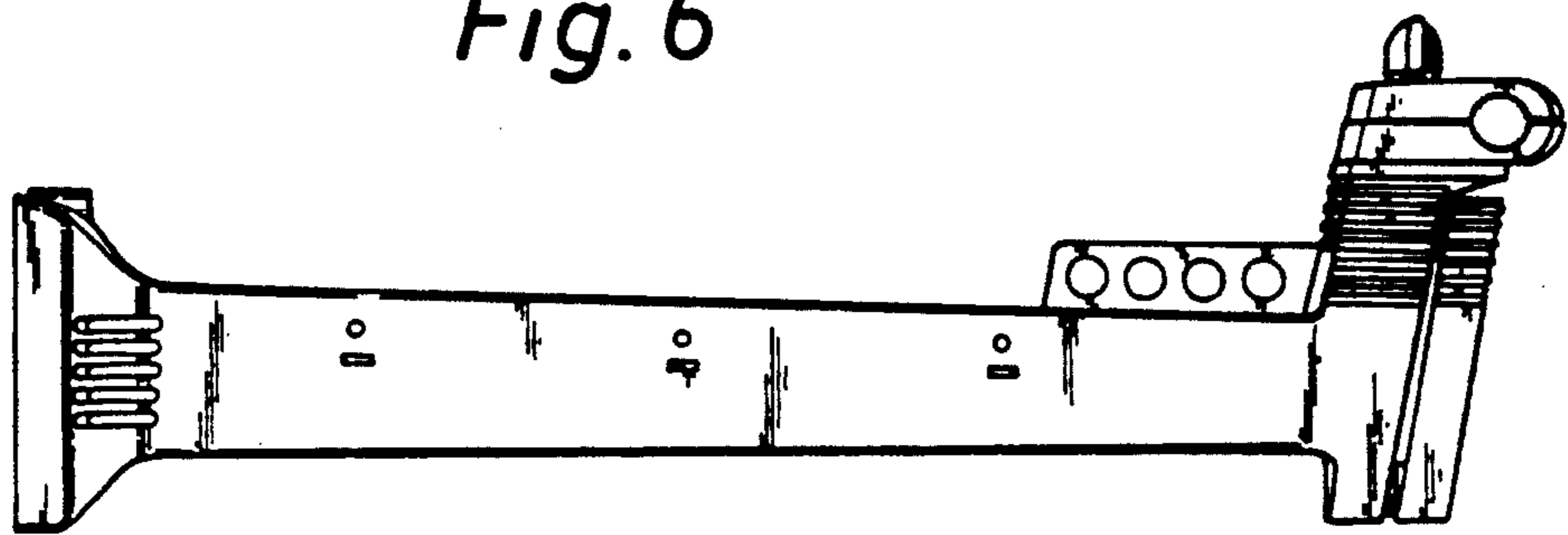
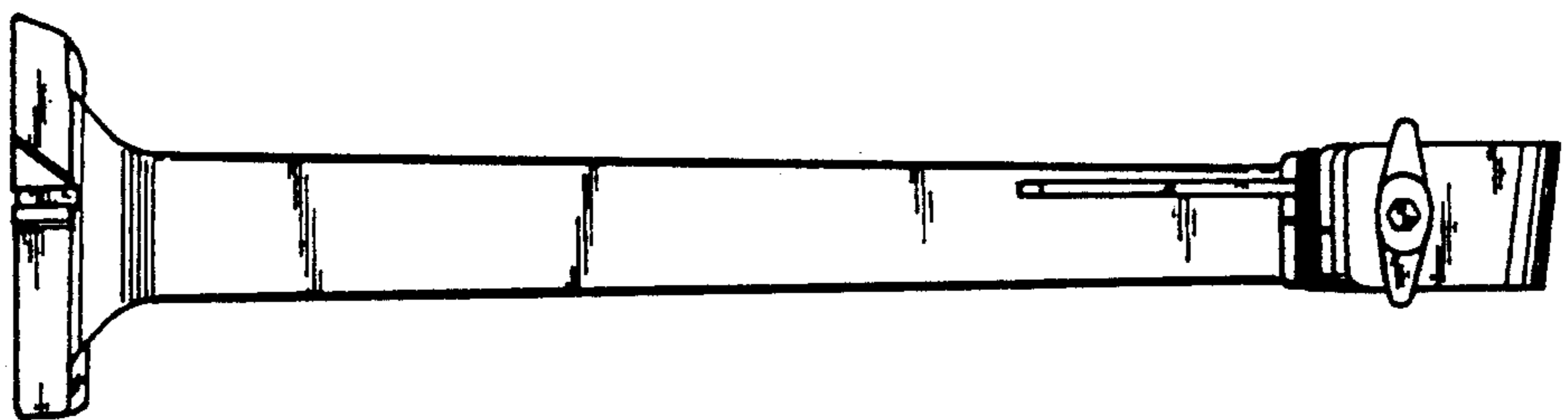


Fig. 7



UNITED STATES PATENT AND TRADEMARK OFFICE
CERTIFICATE OF CORRECTION

PATENT NO. : Des. 339,591
DATED : September 21, 1993
INVENTOR(S) : Karlsson et al.

It is certified that error appears in the above-identified patent and that said Letters Patent is hereby corrected as shown below:

Title page, insert item [30] Foreign Application Priority Data —
— Jan. 17, 1991 [SE] Sweden910088 —.

Title page, item [56] under U.S. Patent Documents, "4,347,880 9/1982 van der Merwe" should be —4,347,880 9/1982 van der Merwe —.

Signed and Sealed this

Twenty-second Day of November, 1994

Attest:



BRUCE LEHMAN

Attesting Officer

Commissioner of Patents and Trademarks