



US00D339590S

United States Patent [19]

[11] Patent Number: Des. 339,590

Zeper

[45] Date of Patent: ** Sep. 21, 1993

[54] PROMPTER FOR VIDEO CAMERAS

[76] Inventor: Roy Zeper, 1704 Chippewa Ridge, Ambler, Pa. 19002

[**] Term: 14 Years

[21] Appl. No.: 665,432

[22] Filed: Feb. 25, 1991

[52] U.S. Cl. D14/239; D16/200

[58] Field of Search D14/239; D16/219, 235, D16/200; 434/307; 354/295

[56] References Cited

U.S. PATENT DOCUMENTS

D. 188,076 5/1960 Barrera D14/239

Primary Examiner—Terry A. Pfeffer

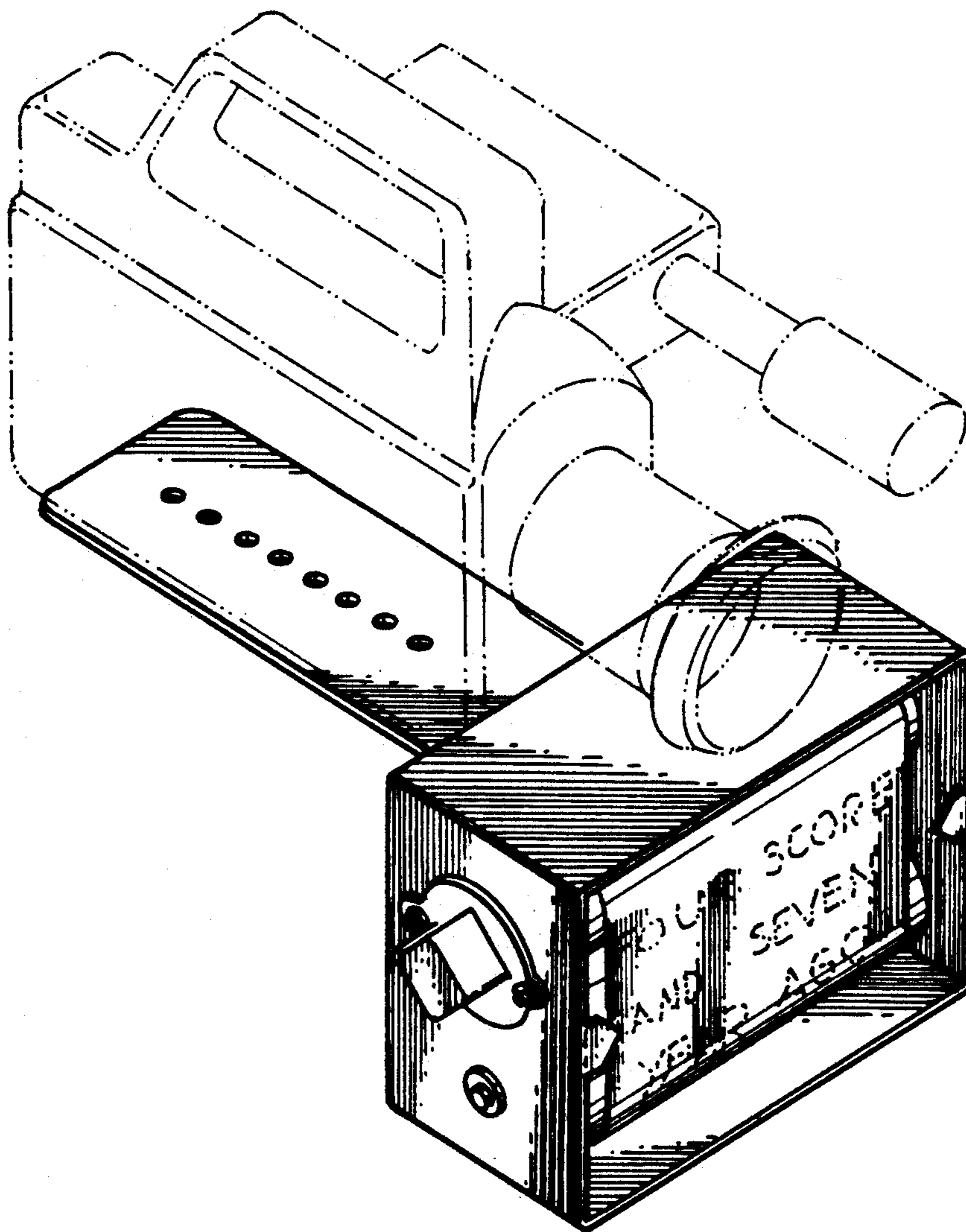
Attorney, Agent, or Firm—Zachary T. Wobensmith, III

[57] CLAIM

The ornamental design for a prompter for video cameras, as shown and described.

DESCRIPTION

FIG. 1 is a front elevational view of the prompter for video cameras showing my new design; FIG. 2 is a rear elevational view thereof; FIG. 3 is a right side elevational view thereof; FIG. 4 is a left side elevational view thereof; FIG. 5 is a top plan view thereof; FIG. 6 is a bottom plan view thereof; FIG. 7 is a right side perspective view thereof, the camera shown in broken lines for illustrative purposes only; and, FIG. 8 is a left side perspective view thereof, the camera shown in broken lines for illustrative purposes only.



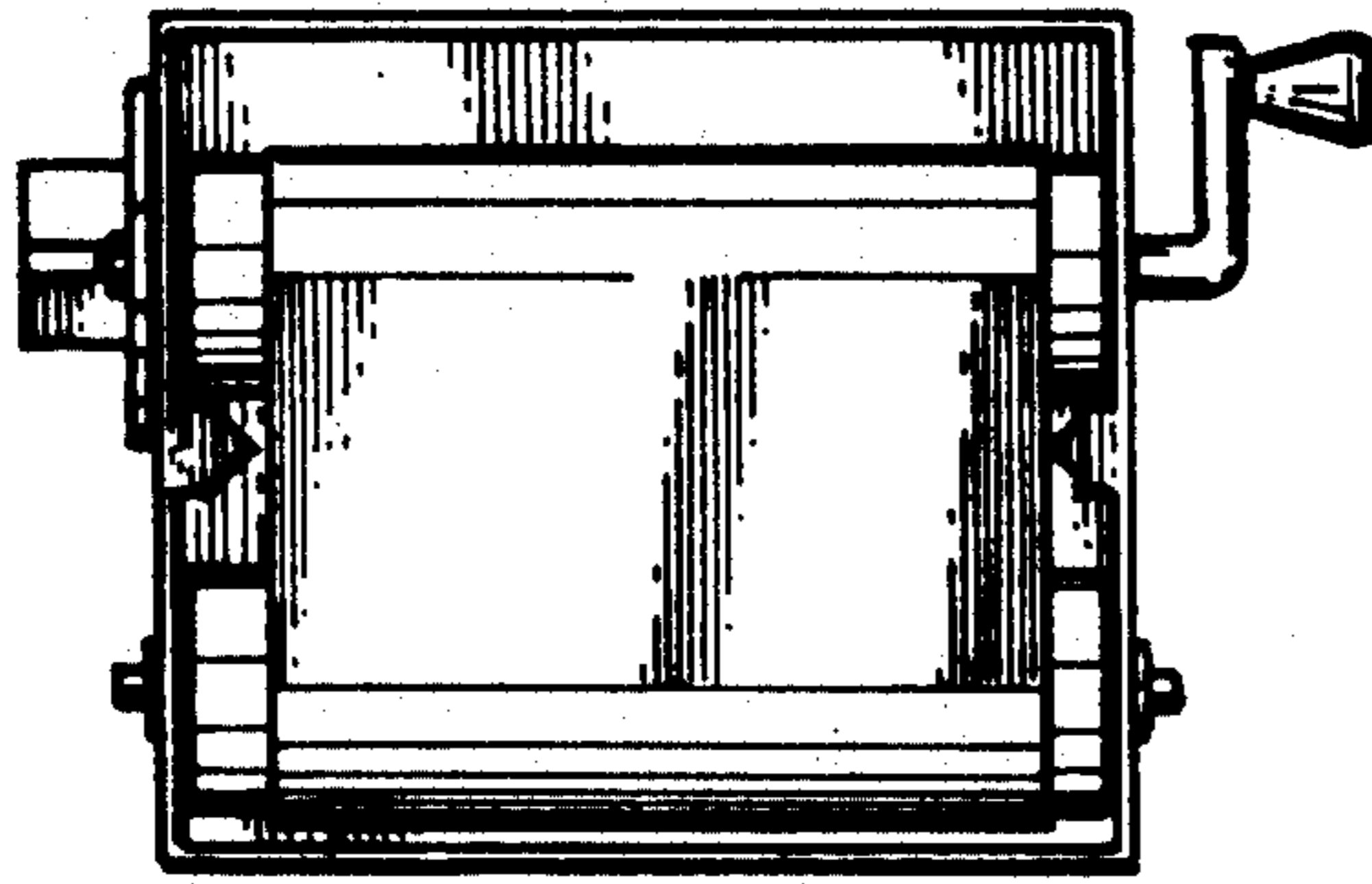


FIG. 1

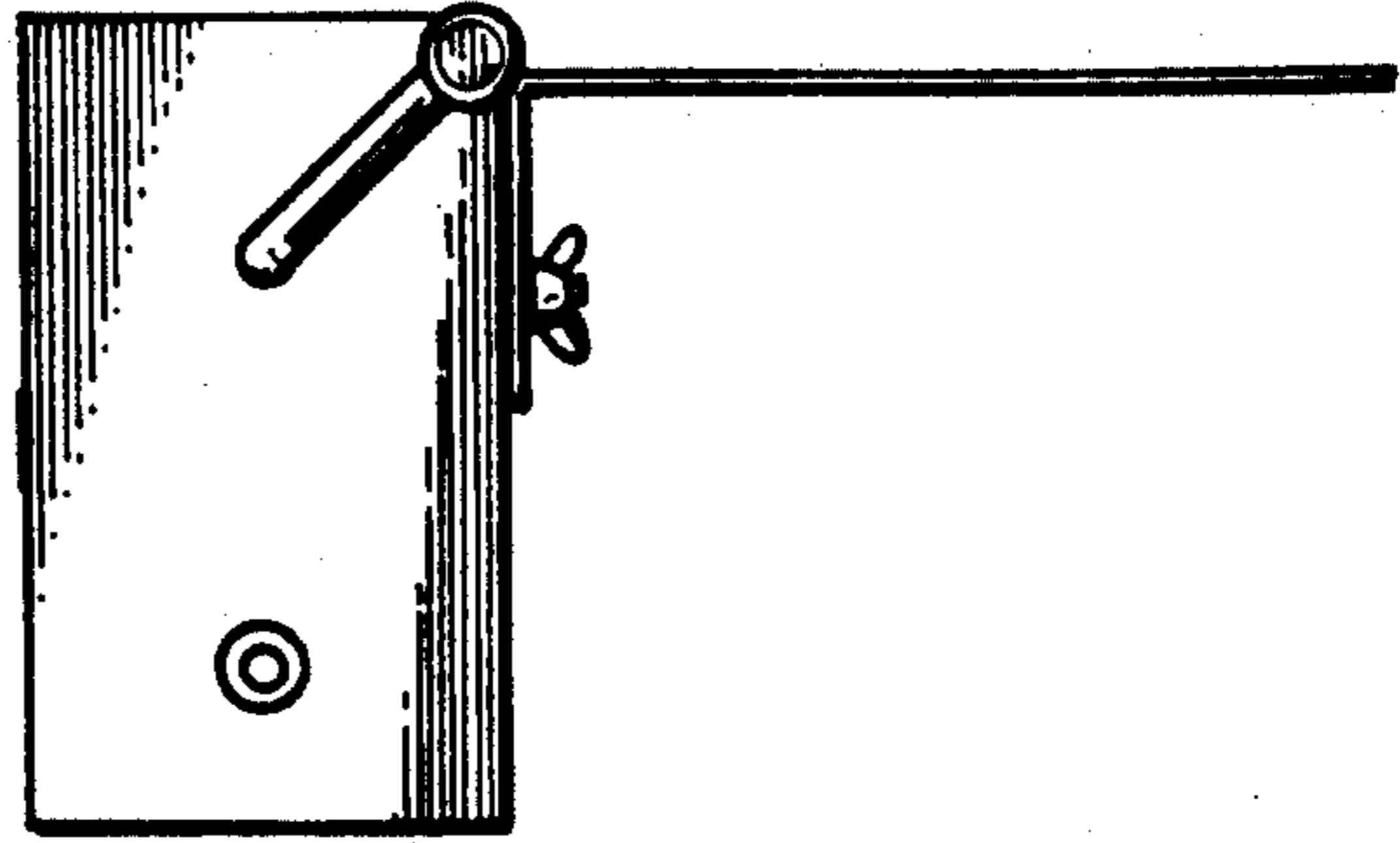


FIG. 3

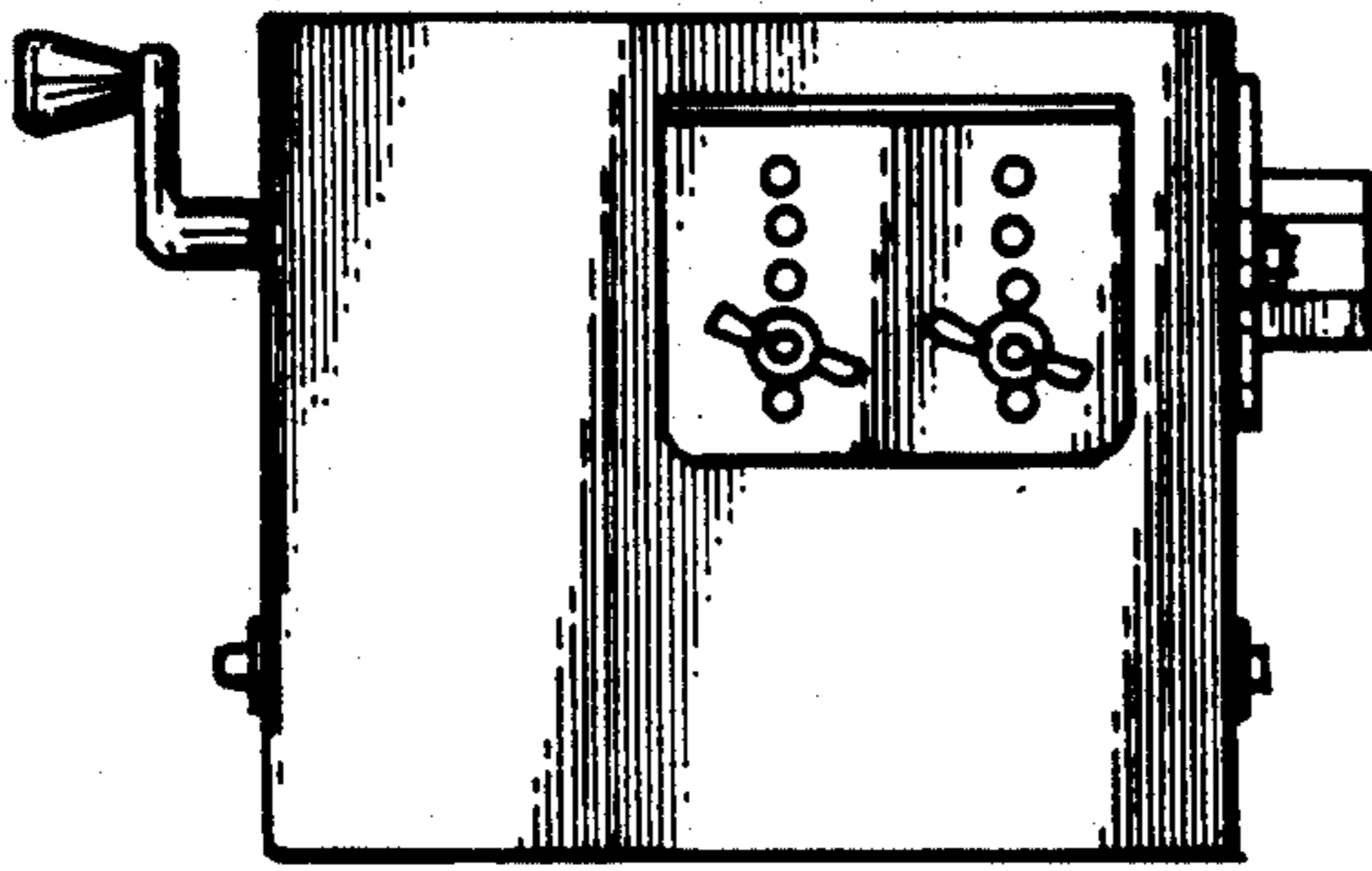


FIG. 2

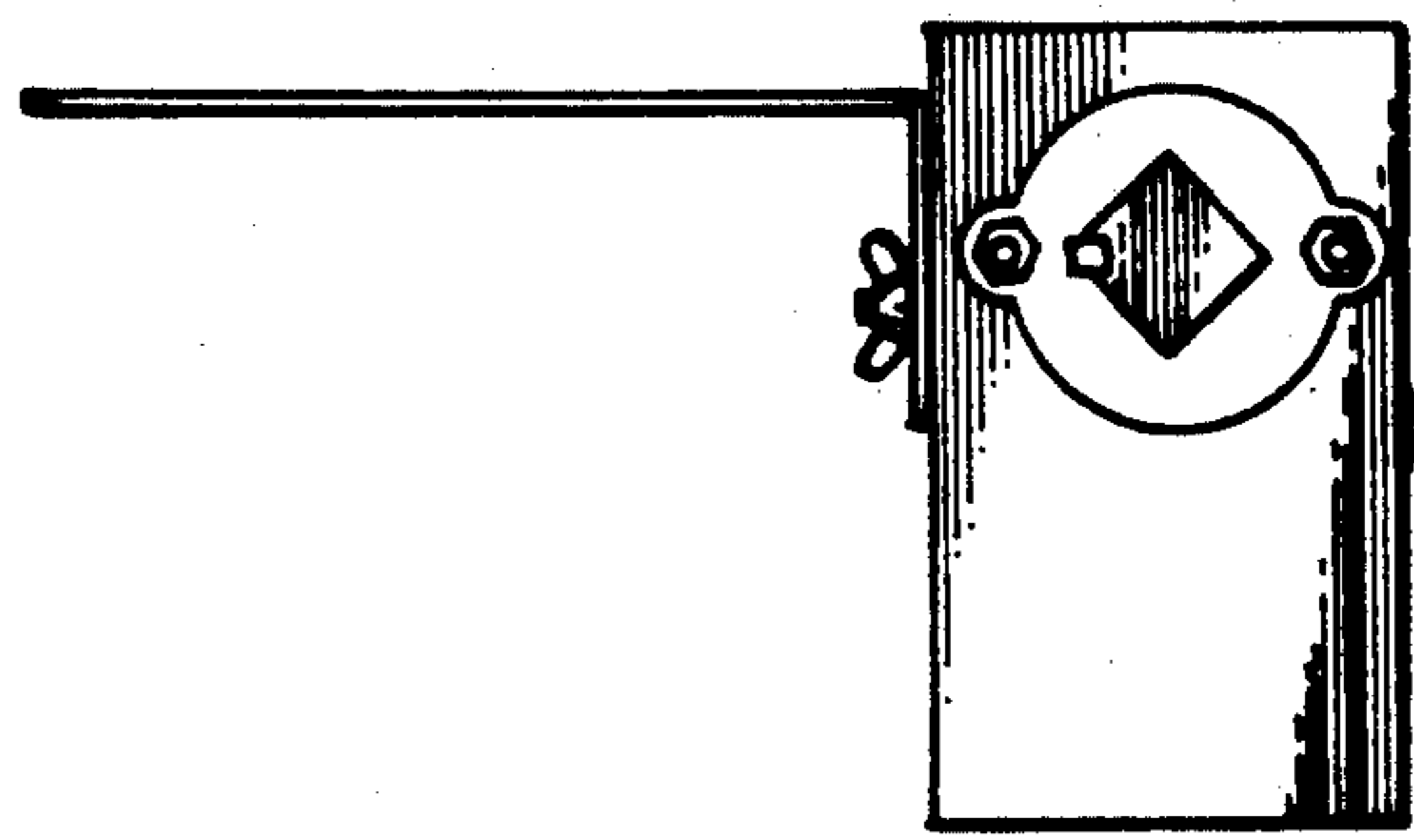


FIG. 4

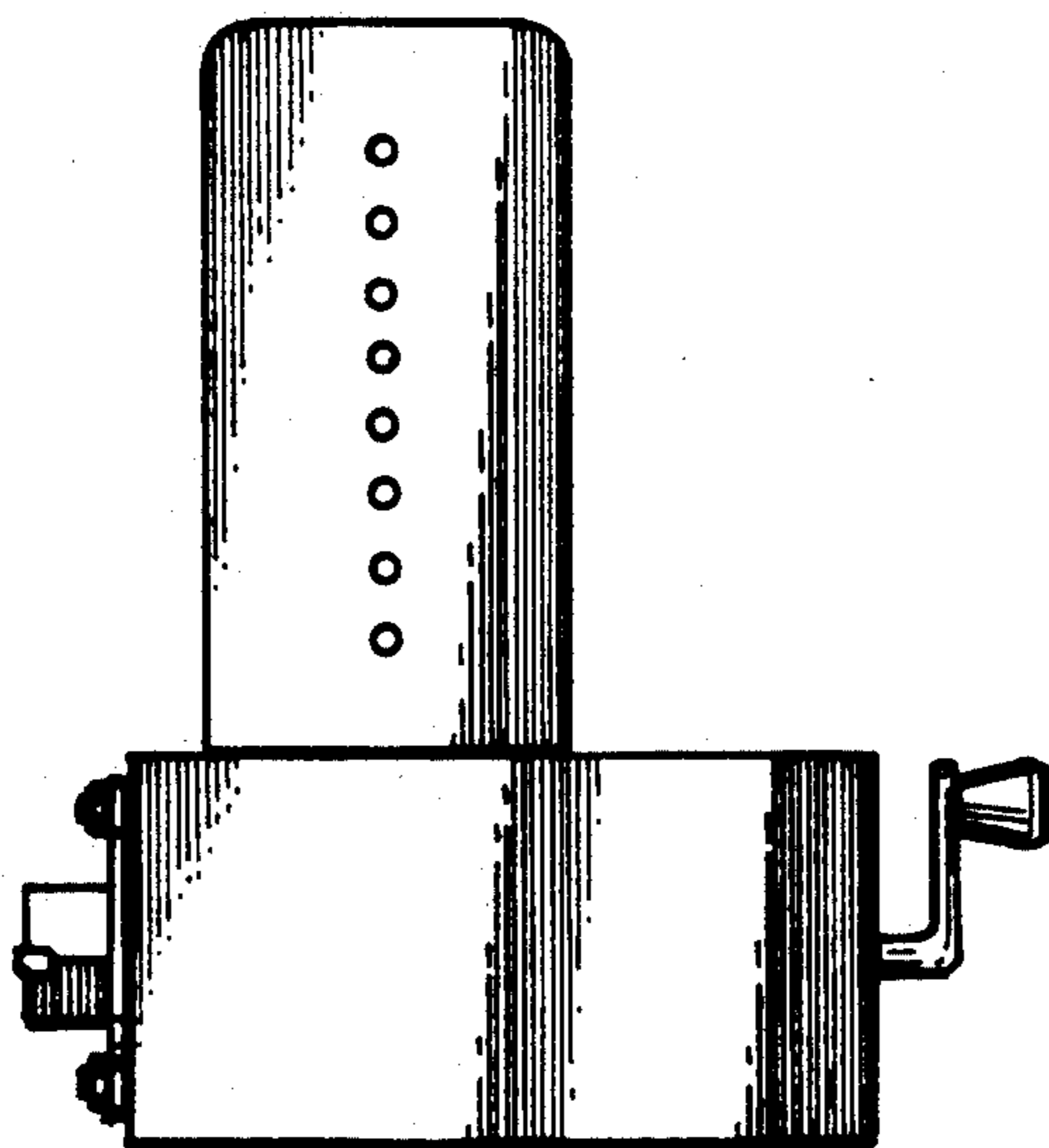


FIG. 5

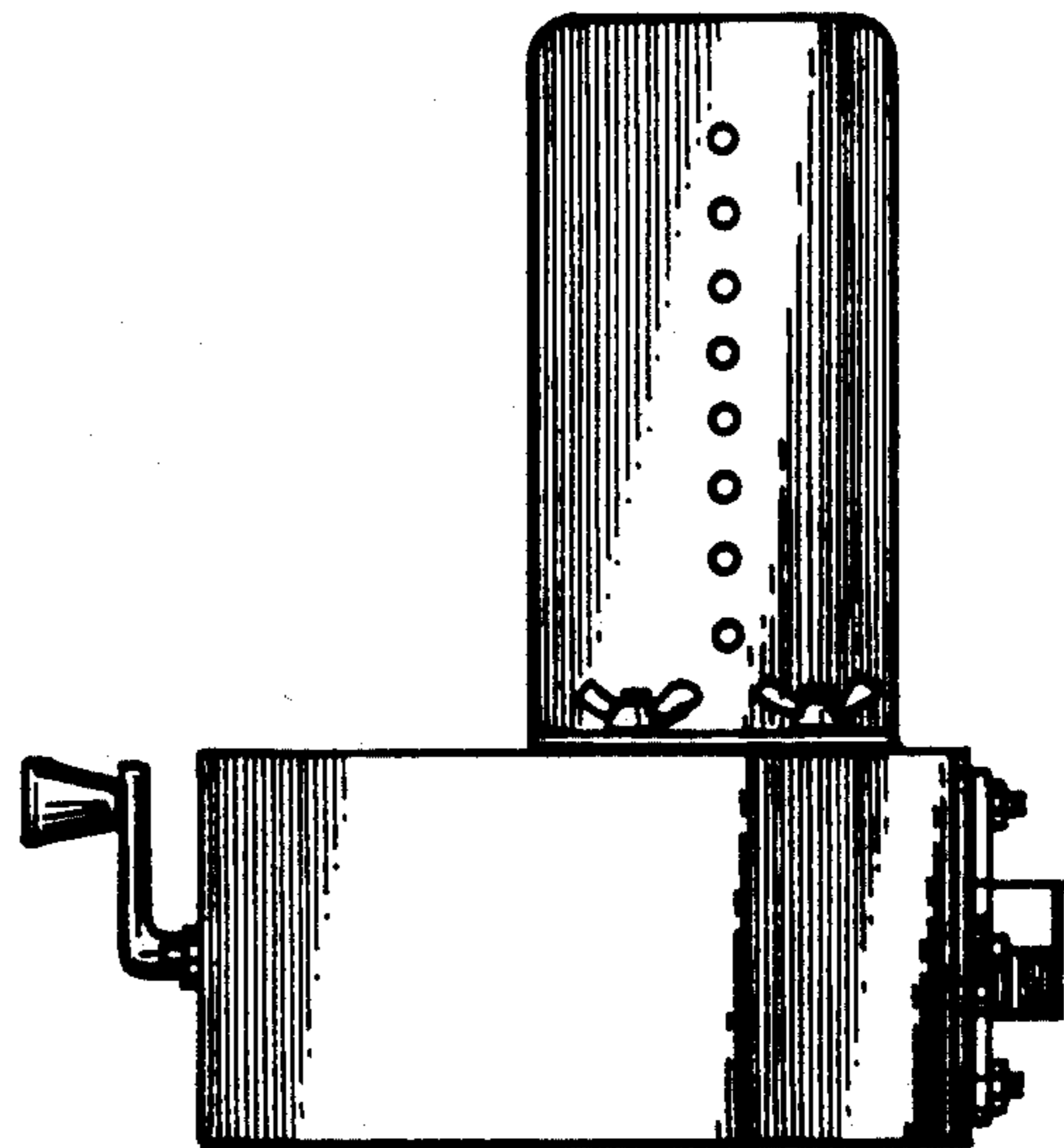


FIG. 6

FIG. 7

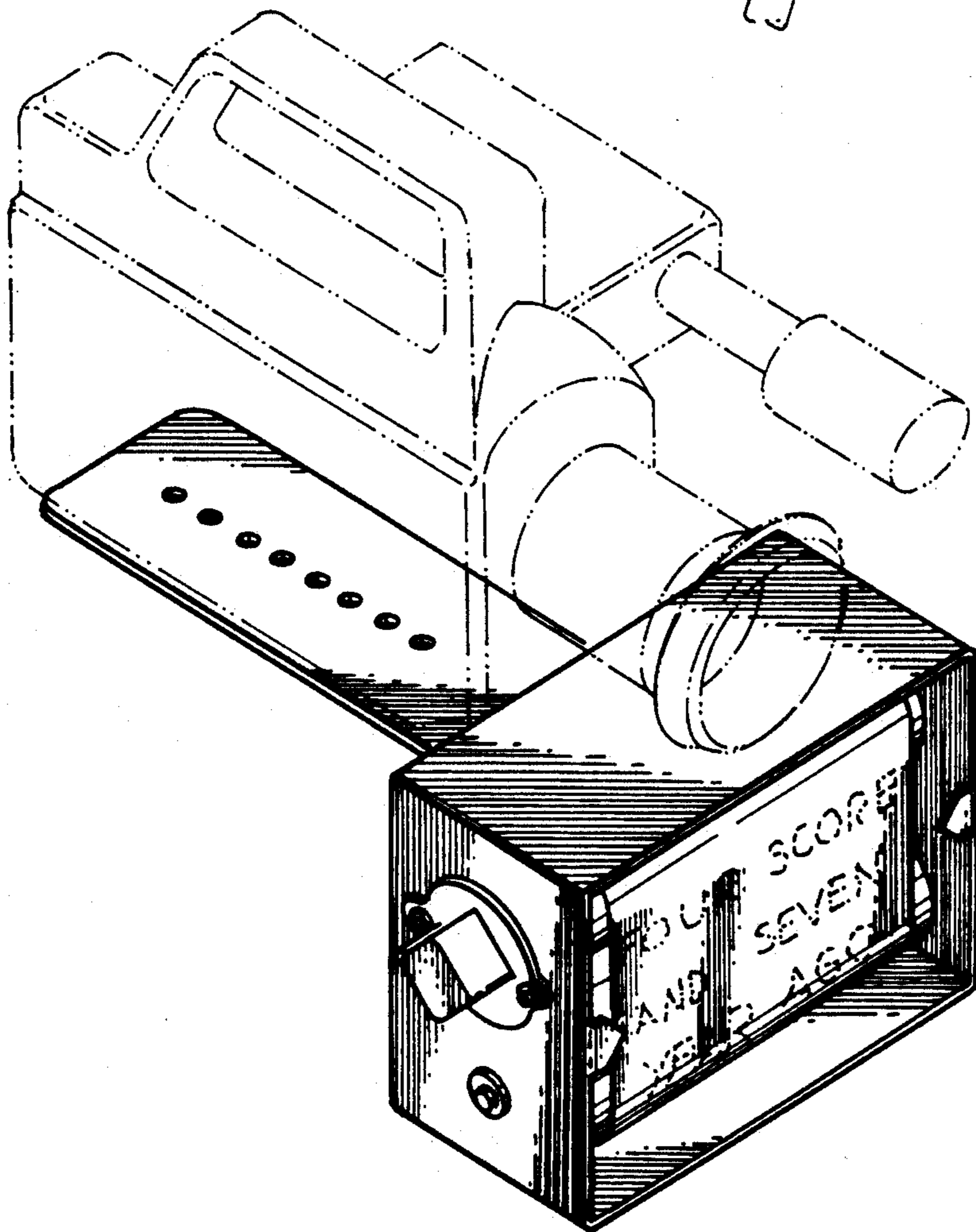
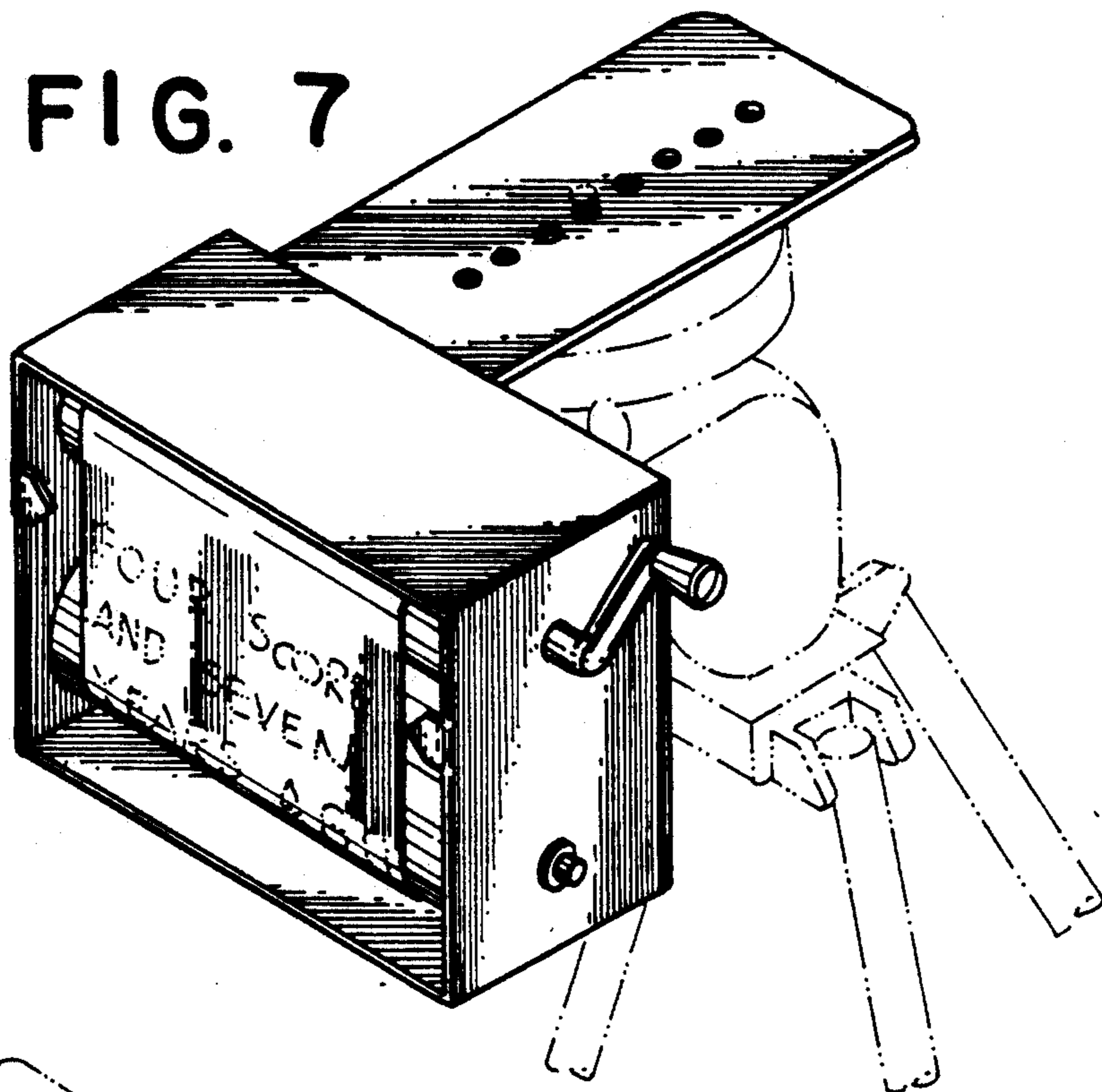


FIG. 8