



US00D339582S

United States Patent [19]

[11] Patent Number: Des. 339,582

Wong et al.

[45] Date of Patent: ** Sep. 21, 1993

[54] TELEPHONE HANDSET PANEL

[75] Inventors: Allen Wong, Steamwood; John P. Murzanski, Schaumburg; George W. Meyer, Jr., Buffalo Grove, all of Ill.

[73] Assignee: Motorola, Inc., Schaumburg, Ill.

[**] Term: 14 Years

[21] Appl. No.: 918,386

[22] Filed: Jul. 21, 1992

[52] U.S. Cl. D14/148; D14/247

[58] Field of Search D14/137, 138, 147, 148, D14/140, 142, 248, 247; 379/433, 419, 440, 58-61

- D. 306,441 3/1990 Taylor et al. .
- D. 315,559 3/1991 Taylor et al. .
- D. 315,565 3/1991 Taylor .
- D. 315,907 4/1991 Wong et al. .
- D. 316,859 5/1991 Wong et al. .
- D. 322,782 12/1991 Nakamachi et al. D14/138

Primary Examiner—Alan P. Douglas
Assistant Examiner—Jeffrey Asch
Attorney, Agent, or Firm—Raymond A. Janski

[57] CLAIM

The ornamental design for an telephone handset panel, as shown and described.

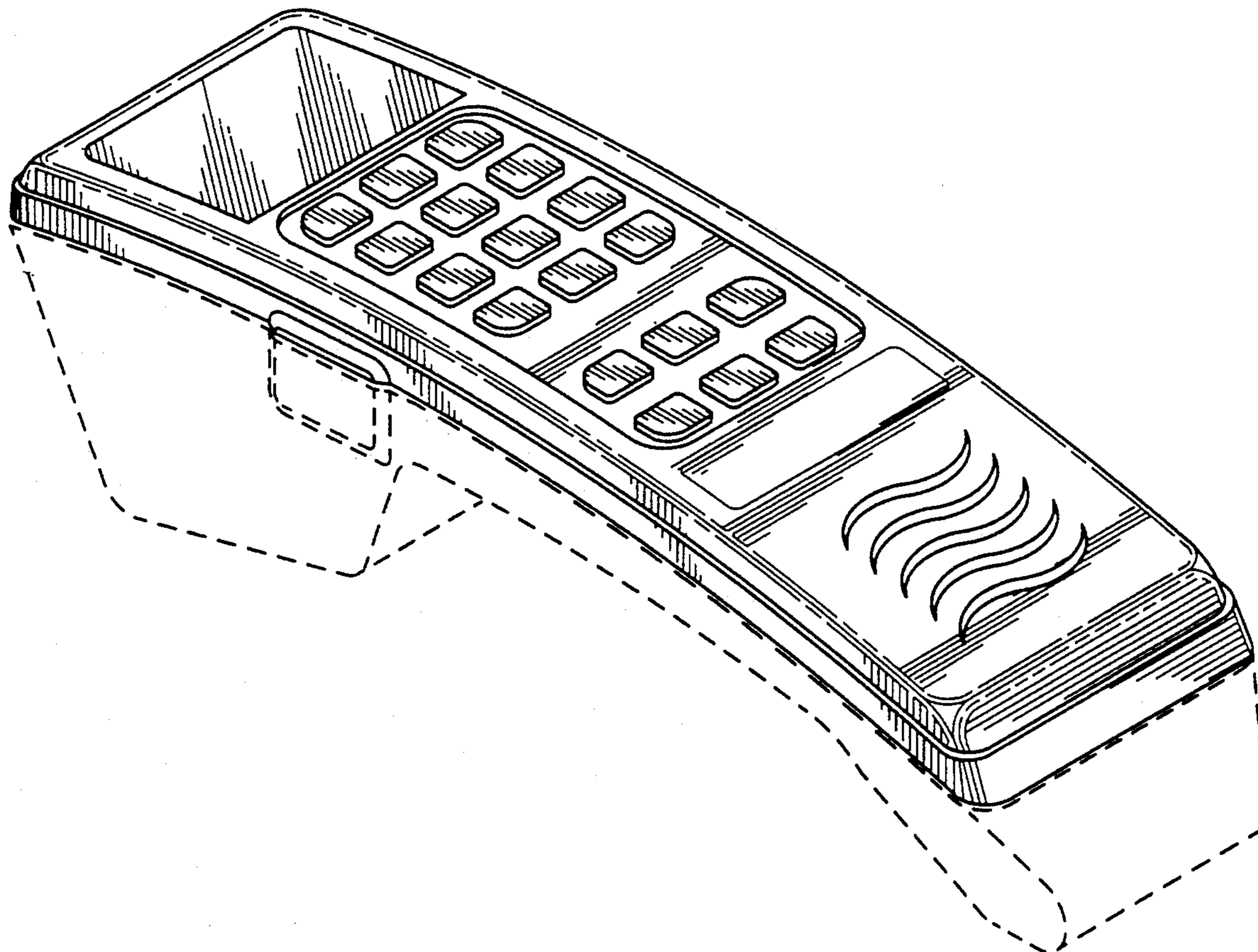
DESCRIPTION

FIG. 1 is a top, front, and left side perspective view of said telephone handset panel showing my new design, wherein the dotted line material is for reference purposes only and forms no part of the claimed invention; FIG. 2 is a right side elevational view of my new design, wherein the dotted line material is for reference purposes only and forms no part of the claimed invention; and, FIG. 3 is a rear elevational view thereof, wherein the dotted line material is for reference purposes only and forms no part of the claimed invention;

[56] References Cited

U.S. PATENT DOCUMENTS

- D. 271,491 11/1983 Taylor .
- D. 286,778 11/1986 Beaumont .
- D. 292,578 11/1987 Taylor .
- D. 292,920 11/1987 Taylor .
- D. 295,973 5/1988 Nagele .
- D. 295,975 5/1988 Taylor et al. .
- D. 302,015 7/1989 Taylor .
- D. 306,293 2/1990 Nagele et al. .



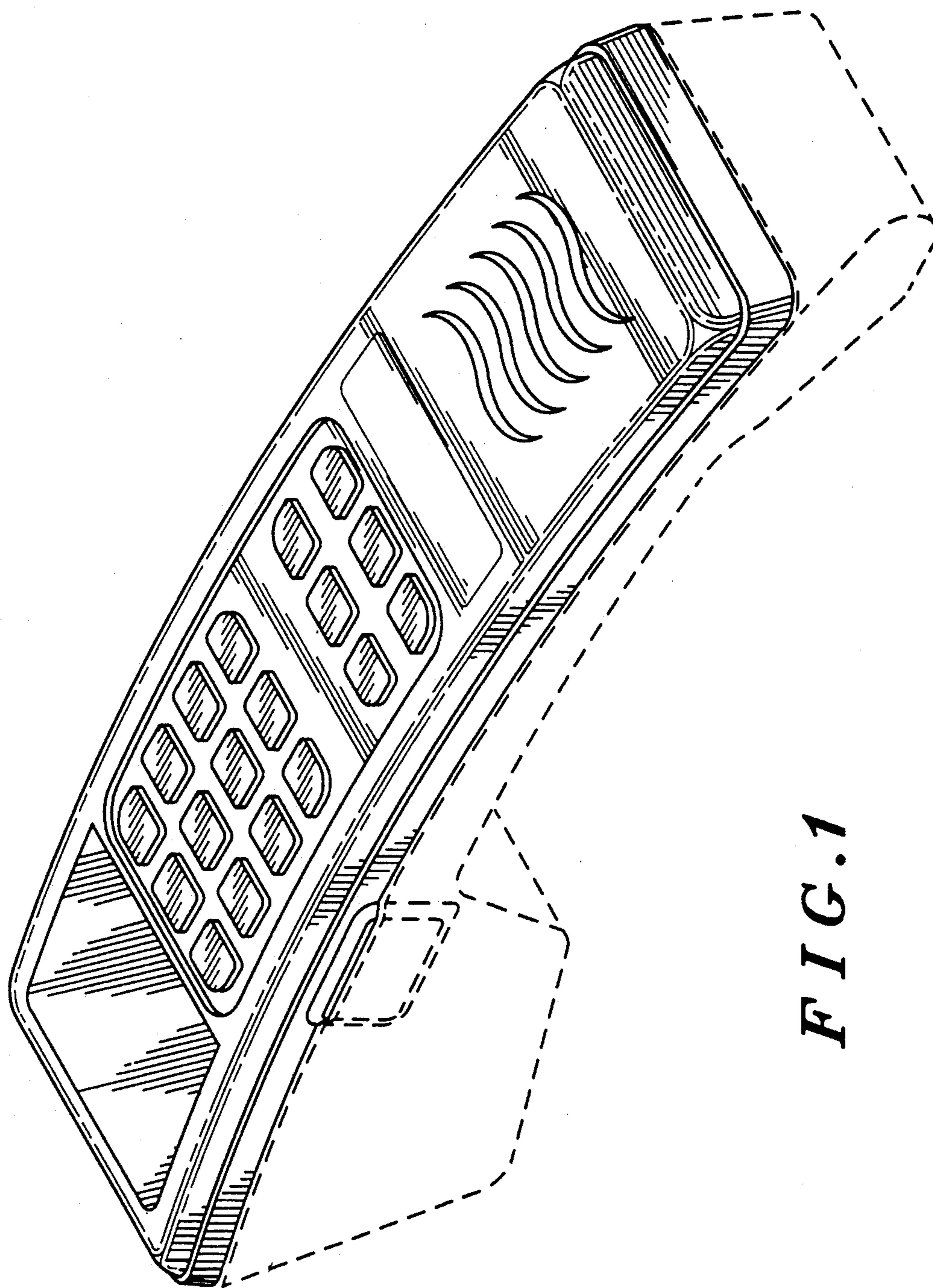


FIG. 1

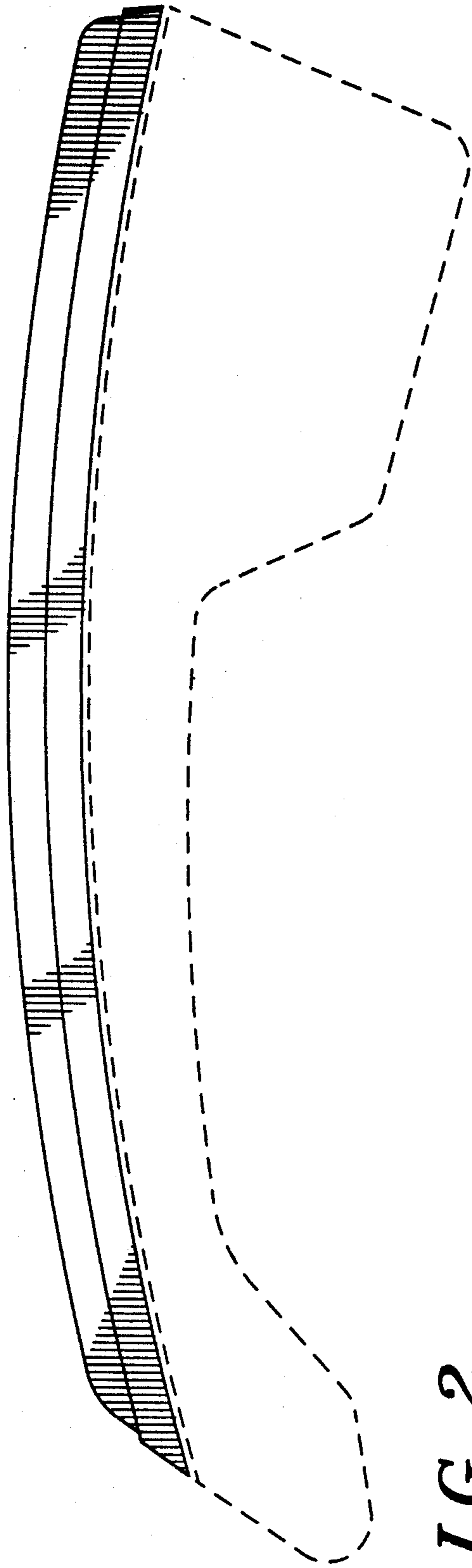


FIG. 2

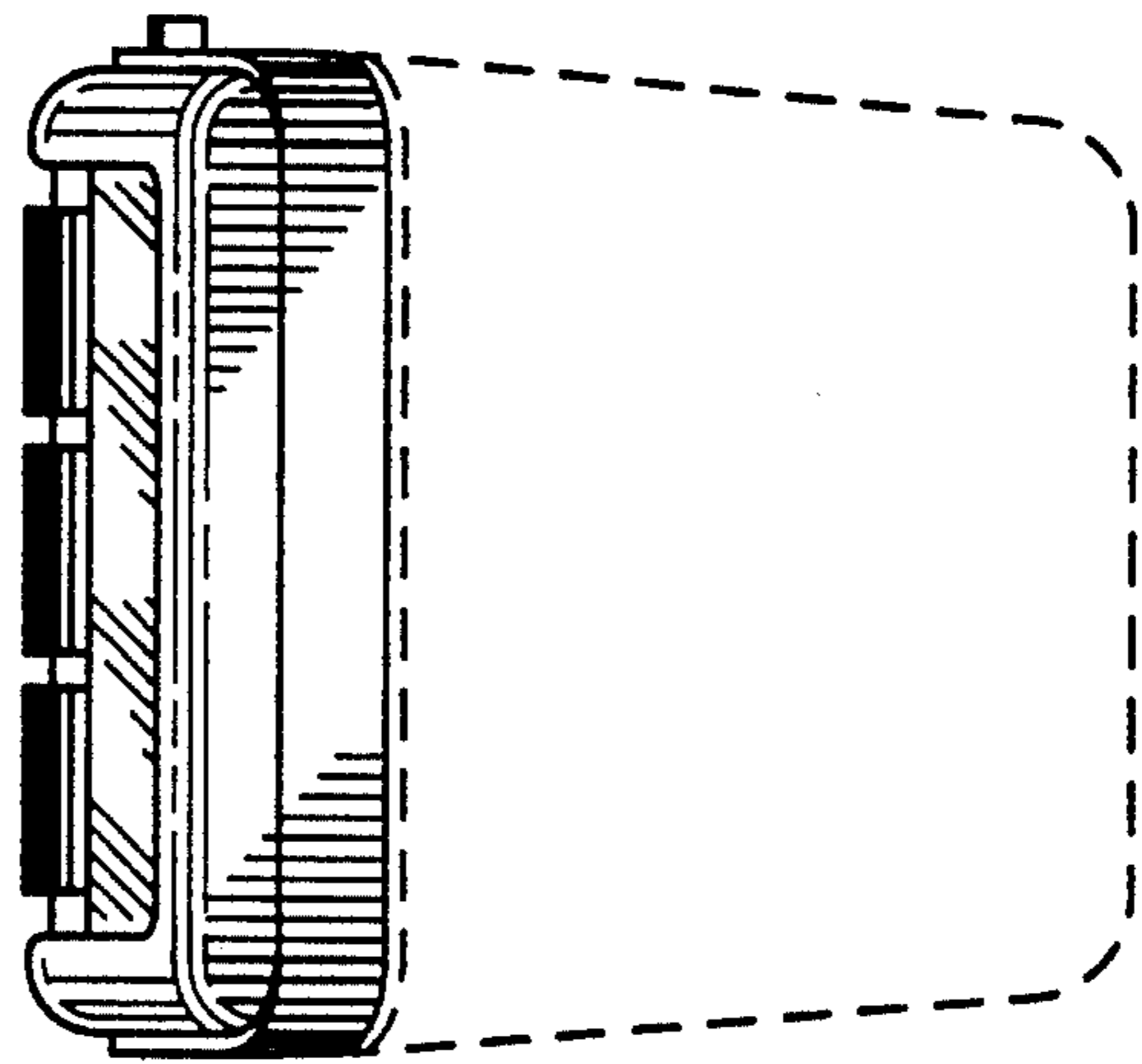


FIG. 3