



US00D339579S

United States Patent [19]

[11] Patent Number: **Des. 339,579**

Kronen

[45] Date of Patent: **** Sep. 21, 1993**

[54] **RADIO ALARM CLOCK**

[76] Inventor: **George V. Kronen, 56 Farnham Dr., East Hartford, Conn. 06118**

[**] Term: **14 Years**

[21] Appl. No.: **638,659**

[22] Filed: **Jan. 8, 1991**

[52] U.S. Cl. **D14/171; D10/2**

[58] Field of Search **D14/124, 168-169, D14/170-171, 188, 192-195, 197-198, 299; D10/1, 2, 15; 455/455, 350, 351**

[56] **References Cited**

U.S. PATENT DOCUMENTS

- D. 179,856 3/1957 Mason D14/170
- D. 240,662 7/1976 Hoshino et al. D14/171

- D. 256,582 8/1980 Owens D14/168 X
- D. 321,655 11/1991 Lai D10/2

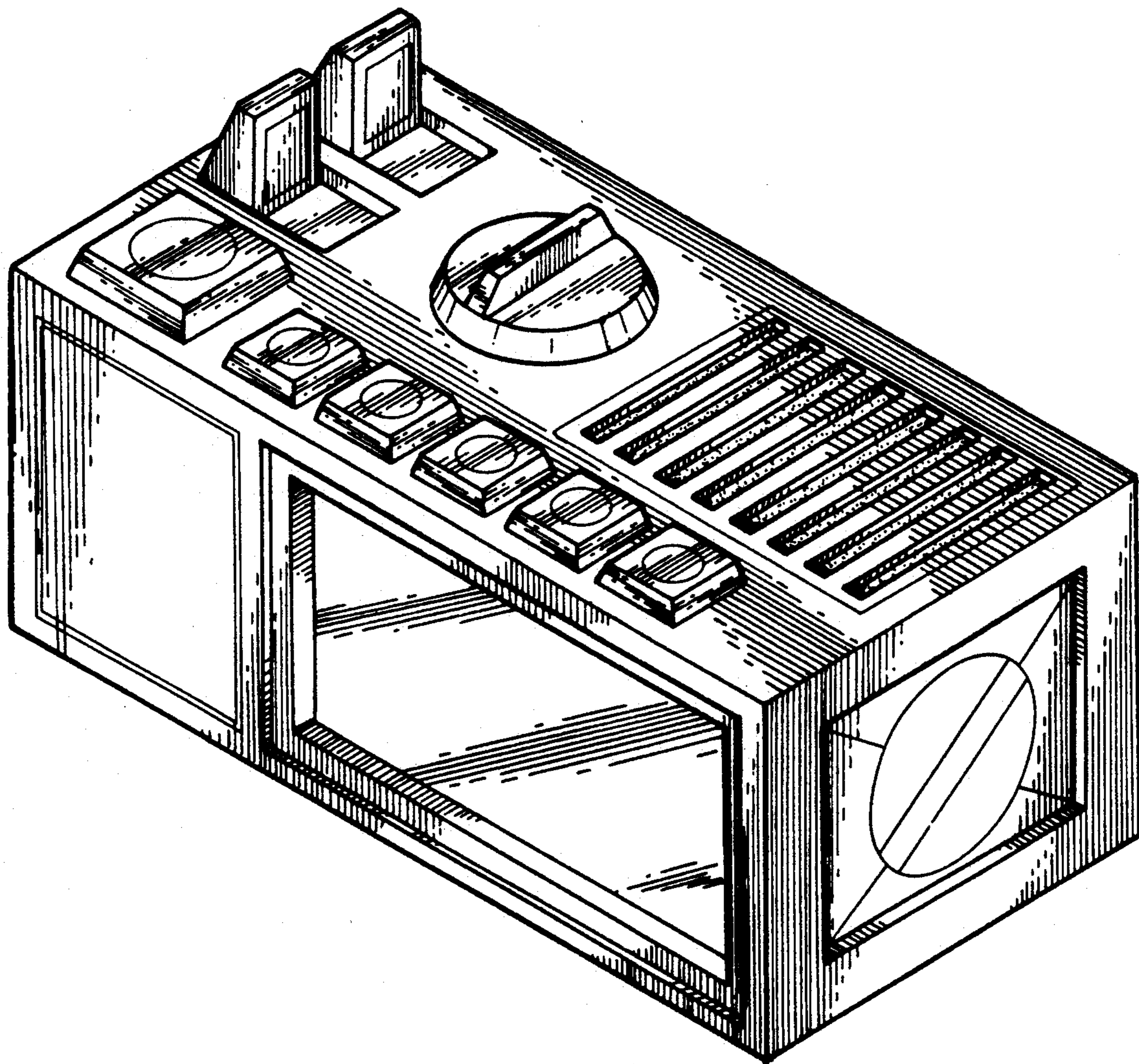
Primary Examiner—Theodore M. Shooman
Attorney, Agent, or Firm—Terry M. Gernstein

[57] CLAIM

The ornamental design for a radio alarm clock, as shown and described.

DESCRIPTION

FIG. 1 is a perspective view of the radio alarm clock embodying the design of the present invention; FIG. 2 is a front elevational view thereof; FIG. 3 is a rear elevational view thereof; FIG. 4 is an end elevational view thereof; FIG. 5 is an end elevational view thereof; FIG. 6 is a top plan view thereof; and, FIG. 7 is a bottom view thereof.



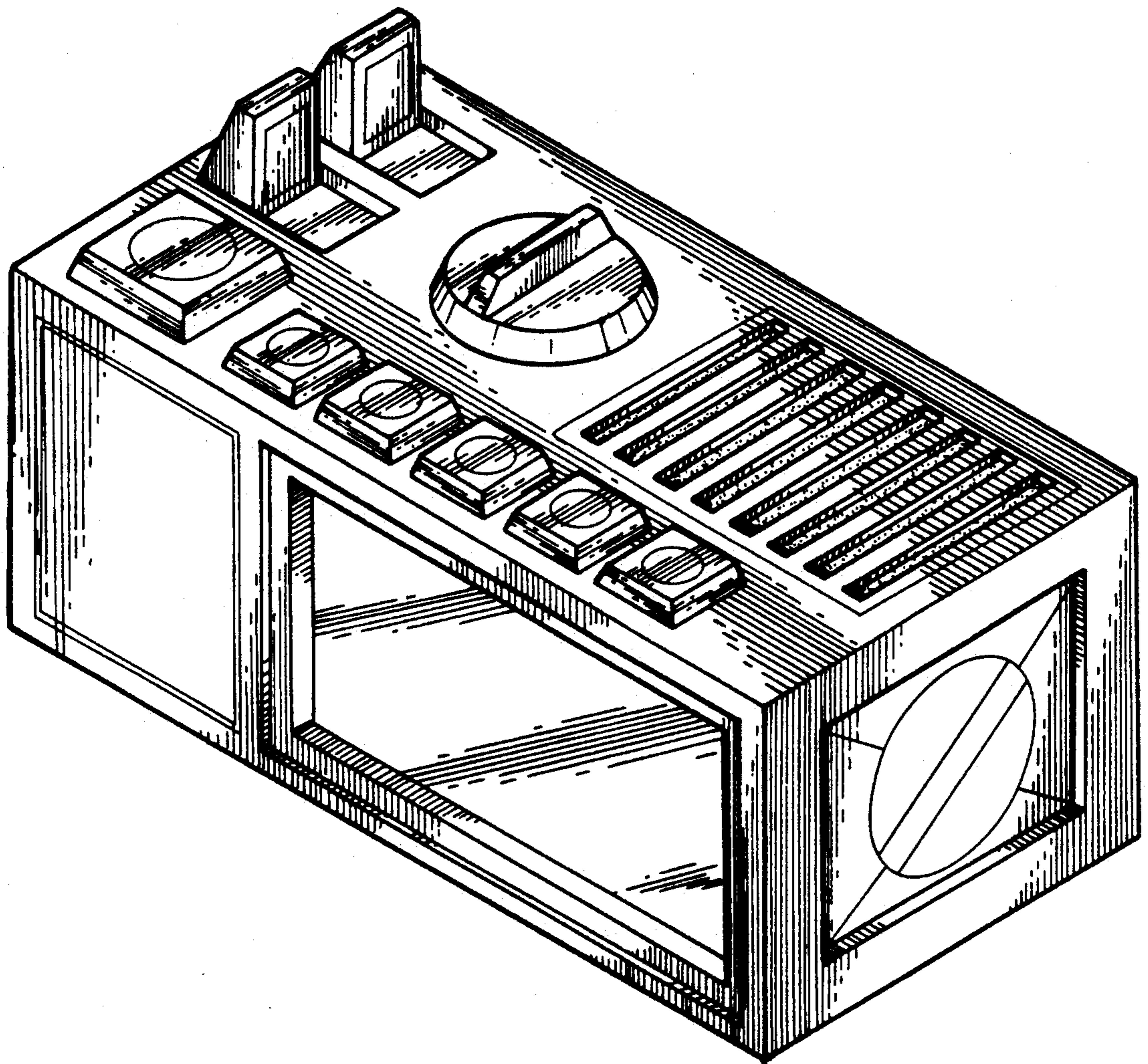


FIG. 1

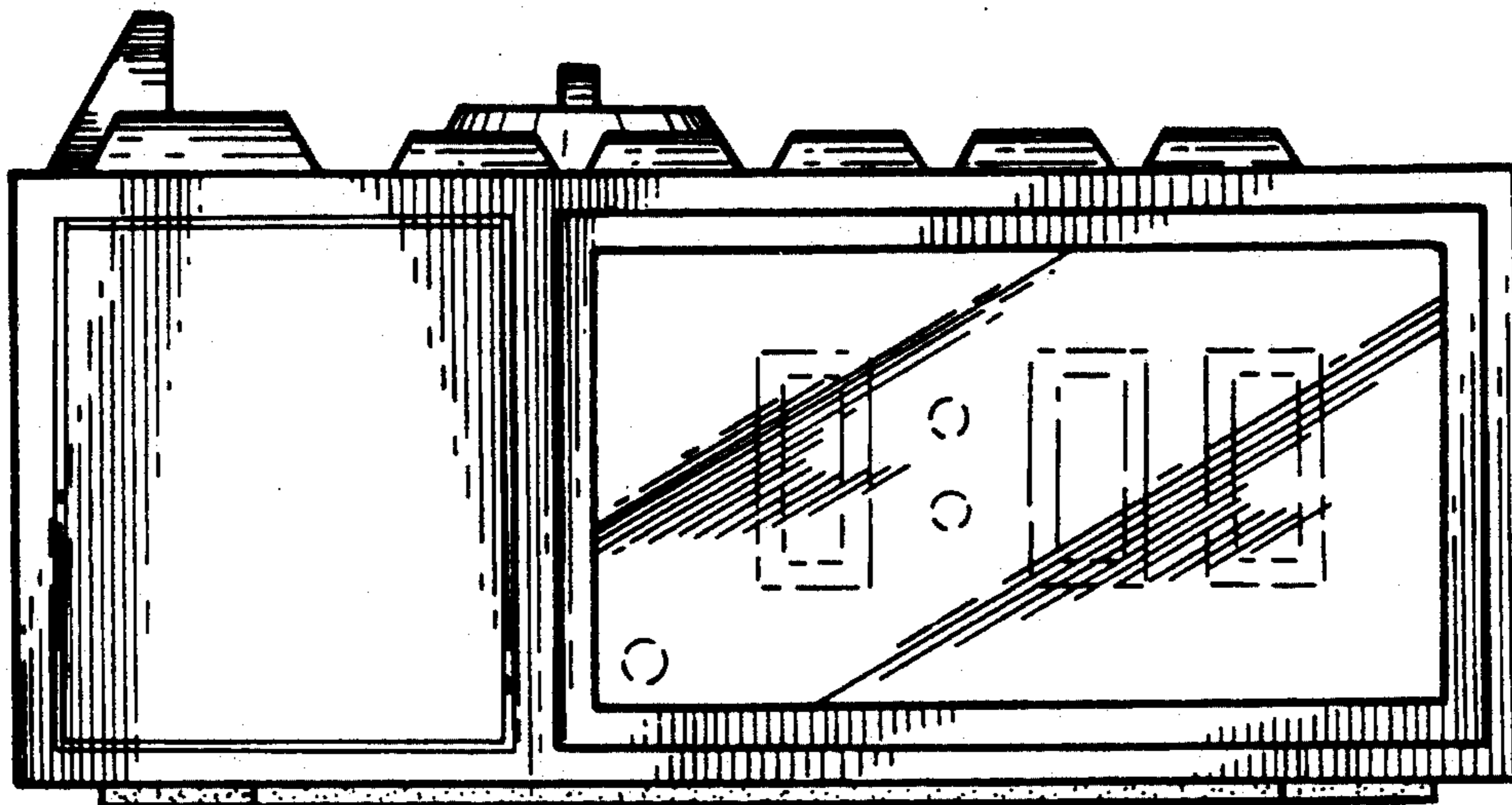


FIG. 2

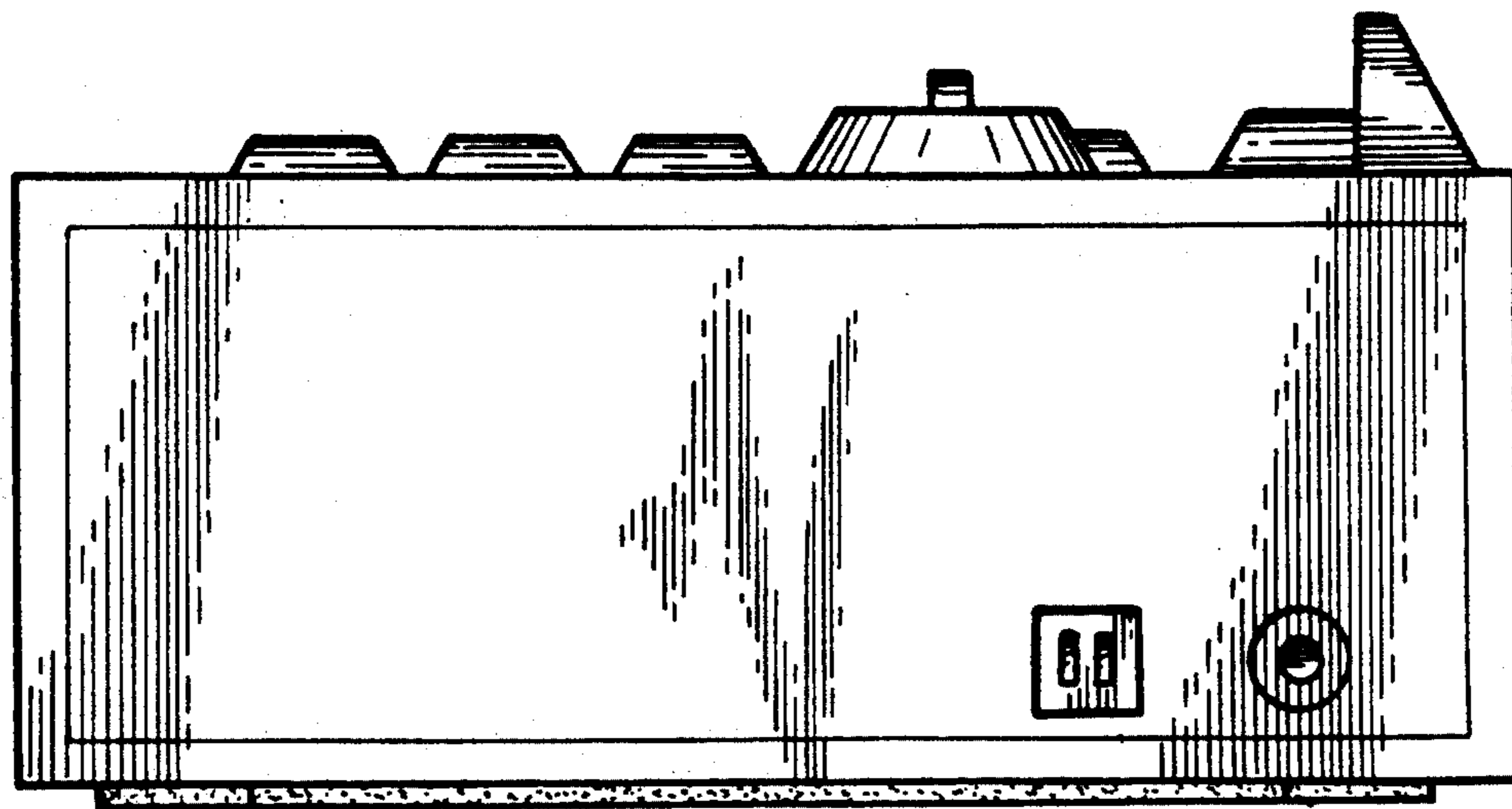


FIG. 3

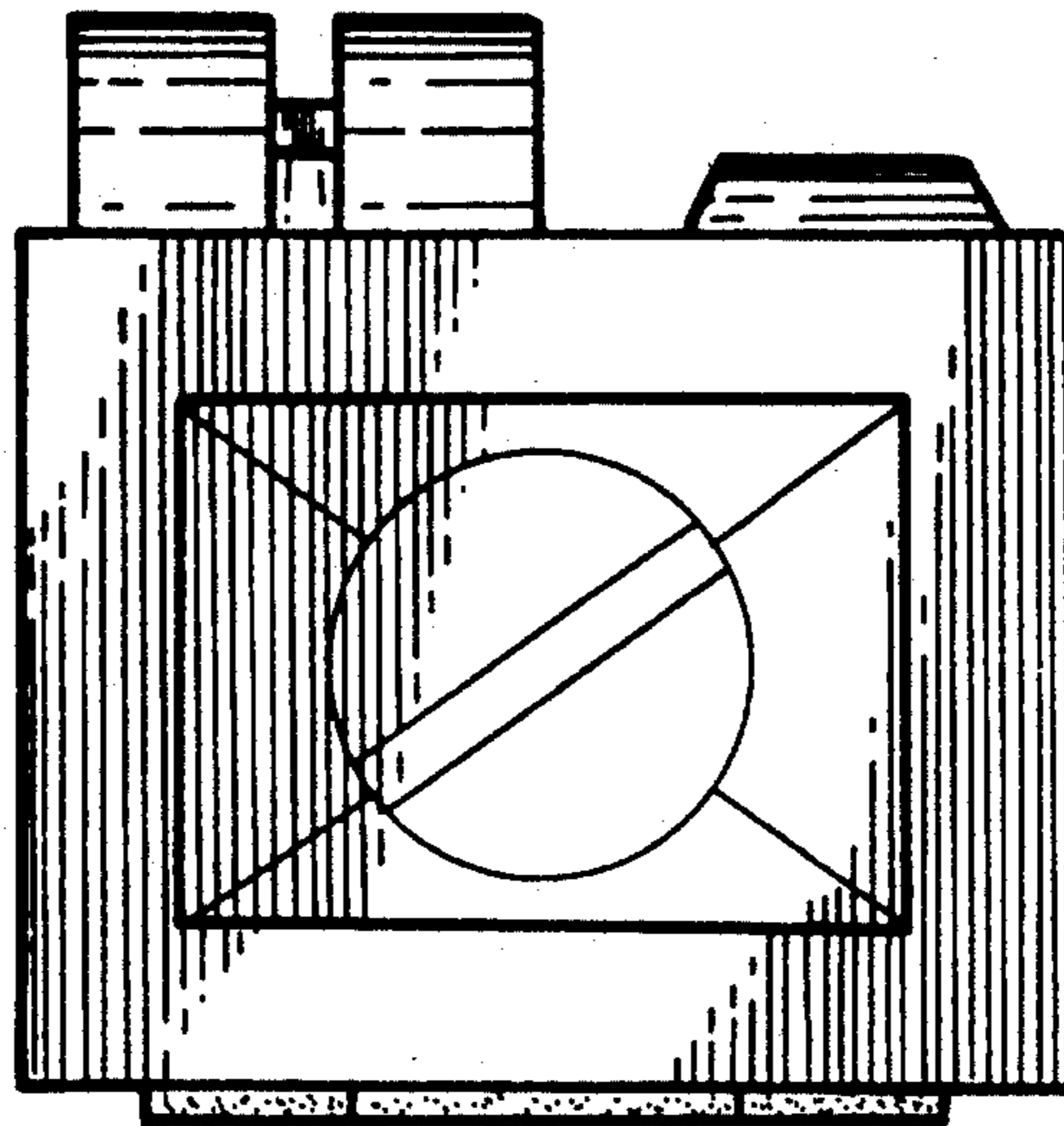


FIG. 4

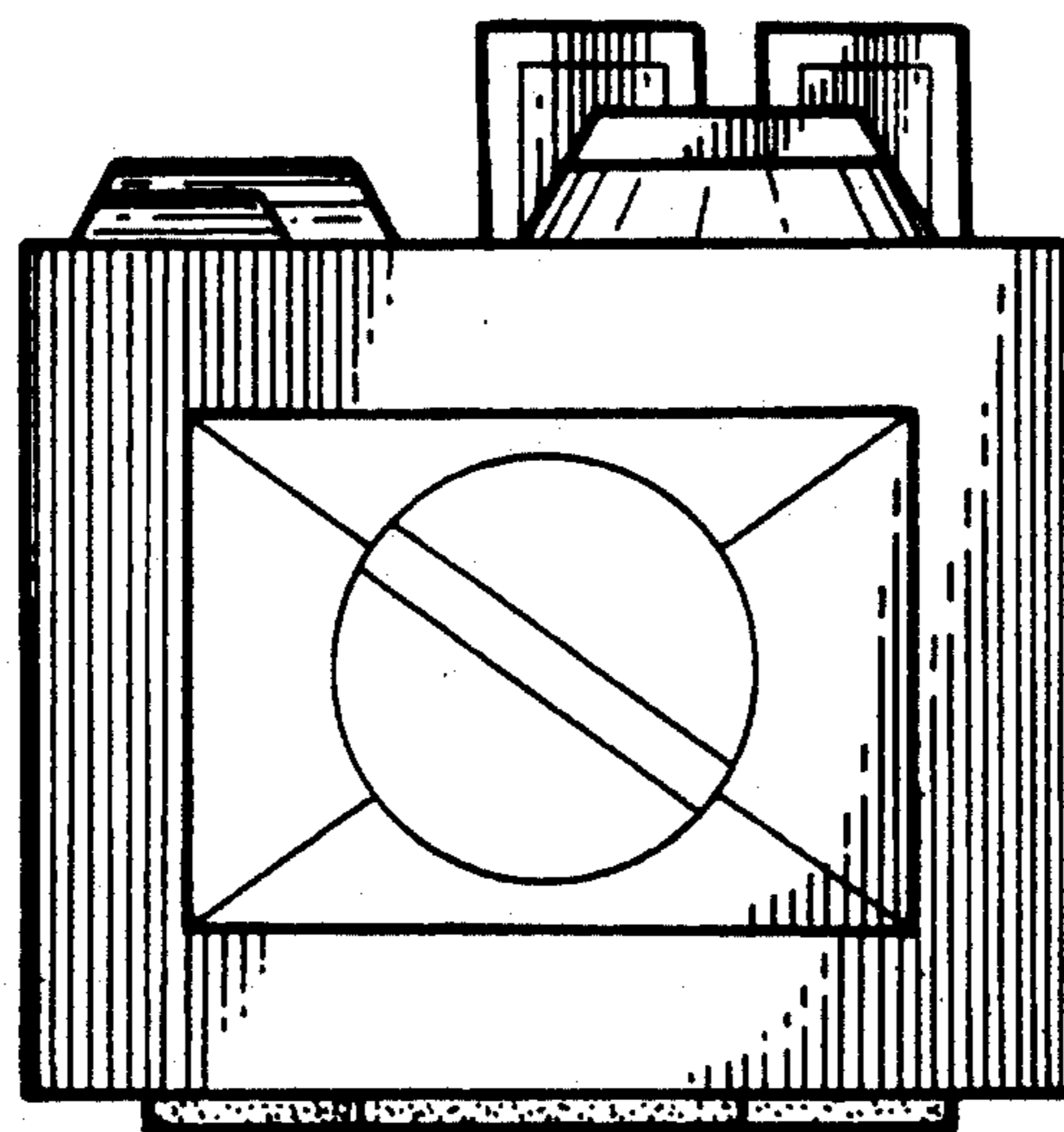


FIG. 5

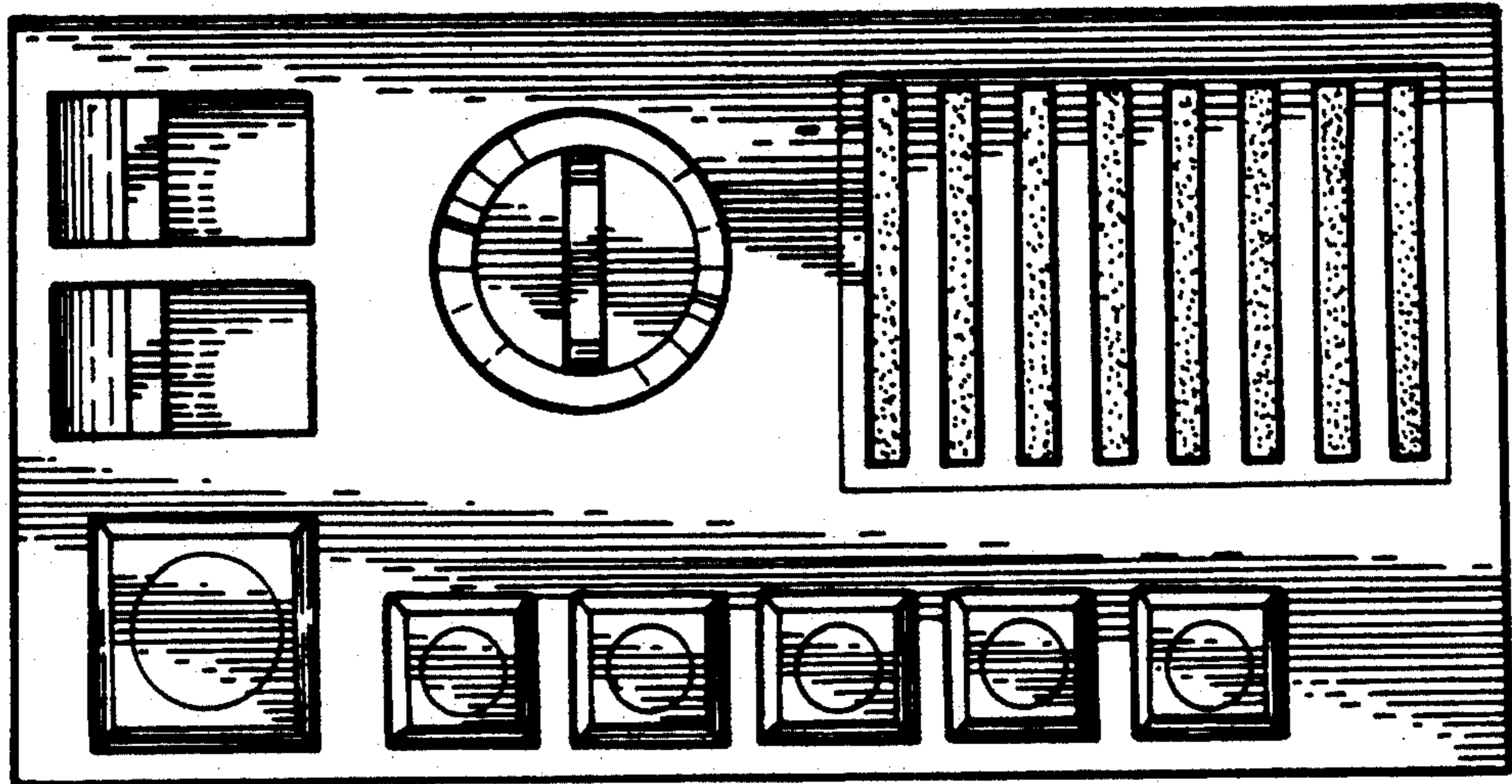


FIG. 6

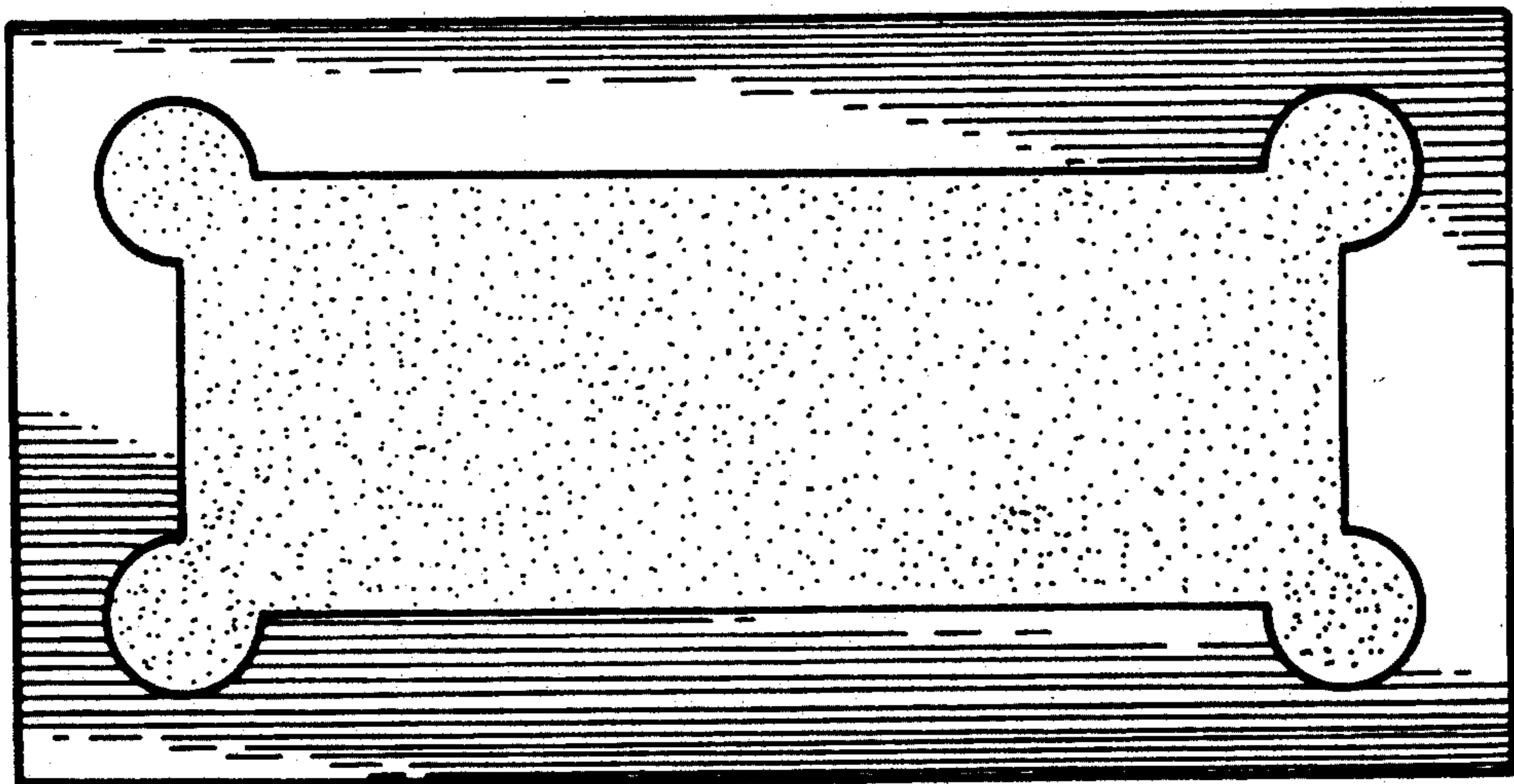


FIG. 7