



US00D339574S

United States Patent [19]

[11] Patent Number: **Des. 339,574**

Althans et al.

[45] Date of Patent: **** Sep. 21, 1993**

[54] **FLAT FRONT CRT DISPLAY**

[75] Inventors: **Richard K. Althans**, Long Grove;
Mark Gartz, Mt. Prospect, both of Ill.

[73] Assignee: **Zenith Electronics Corporation**,
Glenview, Ill.

[**] Term: **14 Years**

[21] Appl. No.: **728,069**

[22] Filed: **Jul. 10, 1991**

[52] U.S. Cl. **D14/113**

[58] Field of Search **D14/100, 101, 106, 113,**
D14/124-127, 128, 129; 340/700, 706;
358/254, 255, 248, 249

D. 317,152 5/1991 Czech et al. D14/113
4,360,838 11/1982 Babicz et al. 358/254 X
4,438,458 3/1984 Münscher 358/254
4,591,757 5/1986 Bakker et al. 358/255 X
4,730,143 3/1988 Fendley 313/407

OTHER PUBLICATIONS

Macworld. May 1990 p. 280. Macintosh IIfx System.
Group 290.
Macworld. May 1990 p. 497. Raster Ops Color Monitor
Group 290.

Primary Examiner—Wallace R. Burke
Assistant Examiner—Freda S. Nunn
Attorney, Agent, or Firm—Roland Norris

[56] **References Cited**

U.S. PATENT DOCUMENTS

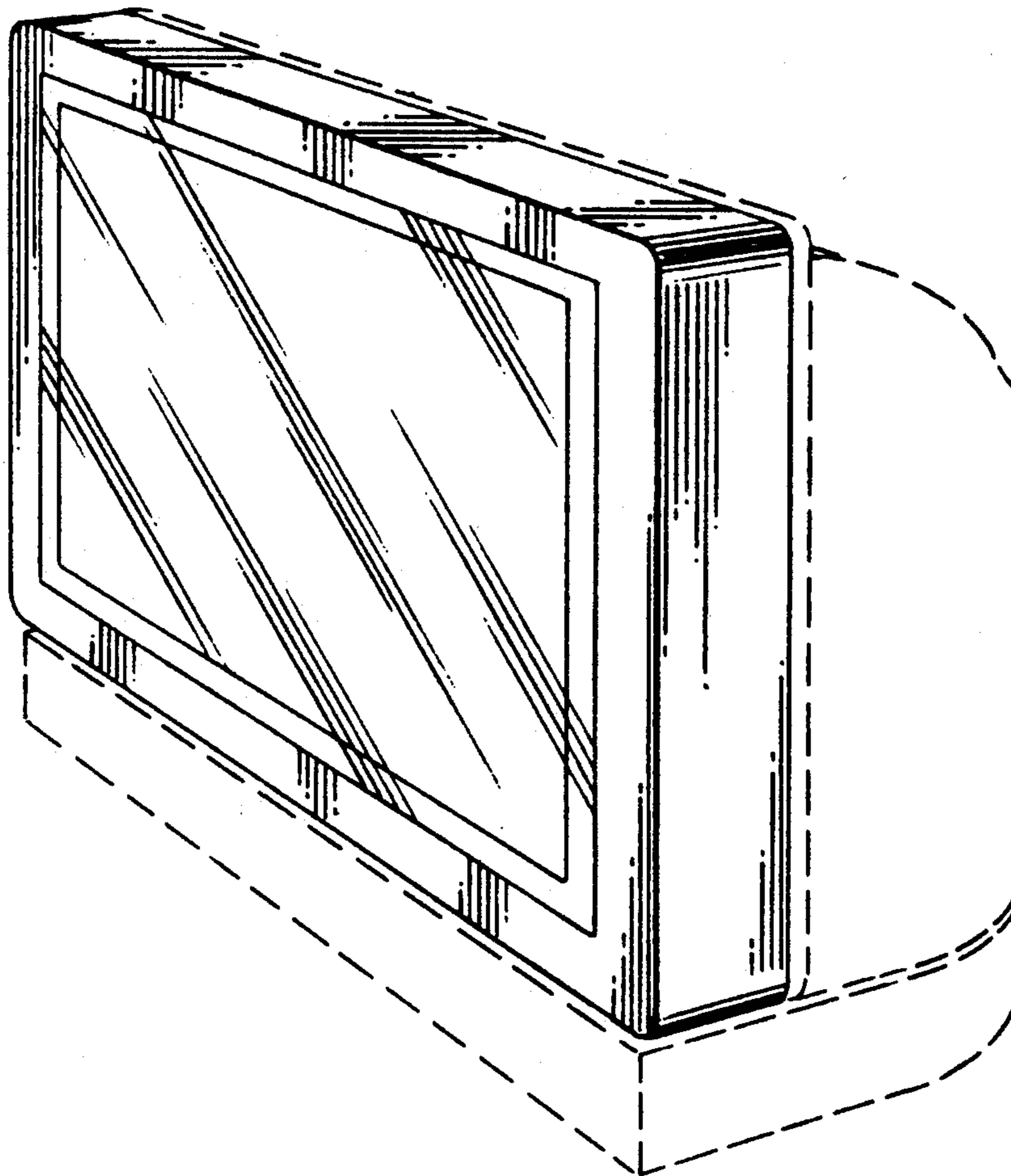
D. 289,398 4/1987 Chuboff et al. D14/113
D. 289,873 5/1987 Gemmell et al. D14/113
D. 291,086 7/1987 Price D14/115
D. 299,924 2/1989 Chuboff et al. D14/126
D. 306,016 2/1990 Czech et al. D14/113
D. 316,260 4/1991 Renk, Jr. D14/126

[57] **CLAIM**

The ornamental design for a flat front CRT display, as shown and described.

DESCRIPTION

FIG. 1 is a right front top perspective view of a flat front CRT display showing our new design; and, FIG. 2 is a left front bottom perspective view thereof. The broken lines are shown in the views for illustrative purposes only and form no part of the claimed design.



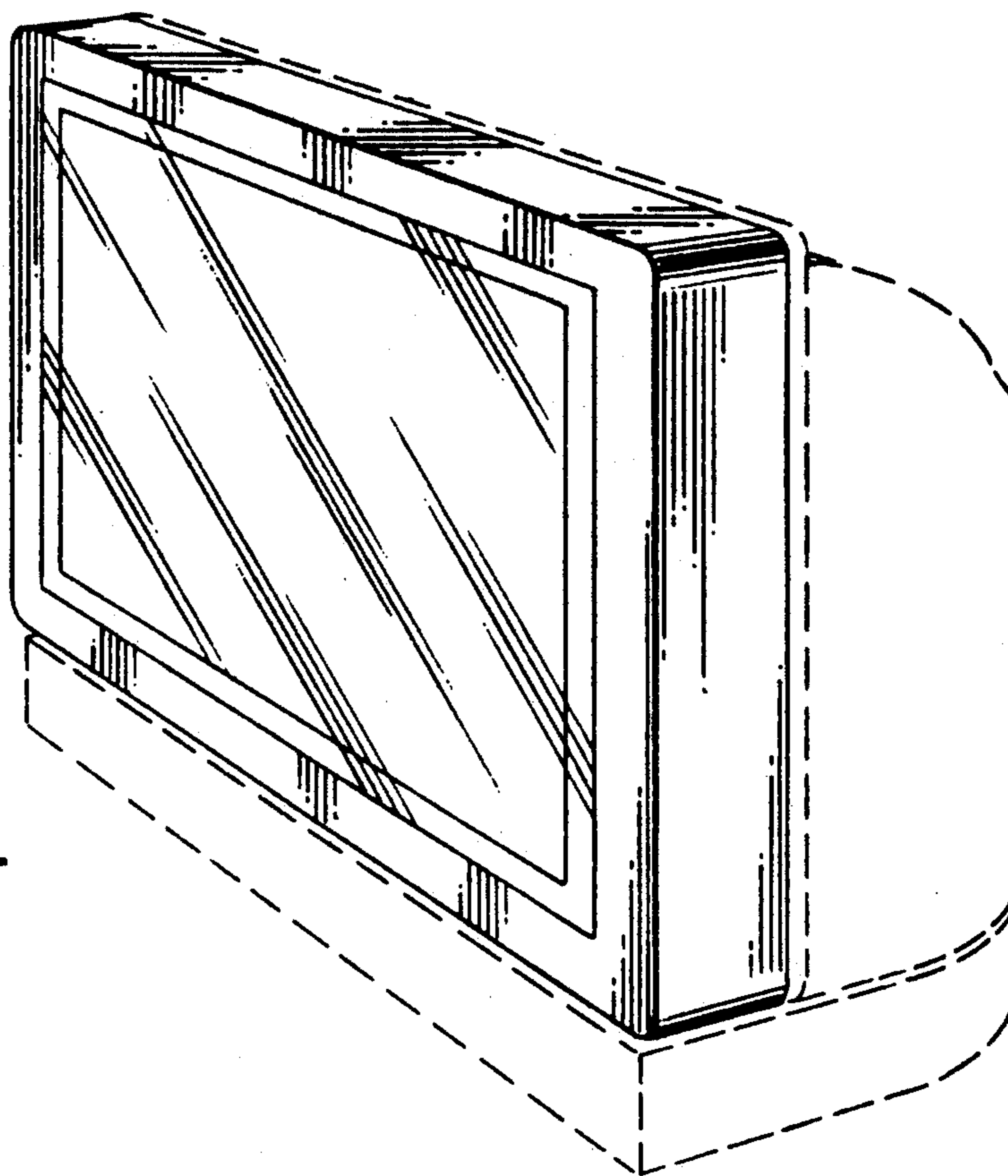


Fig. 1.

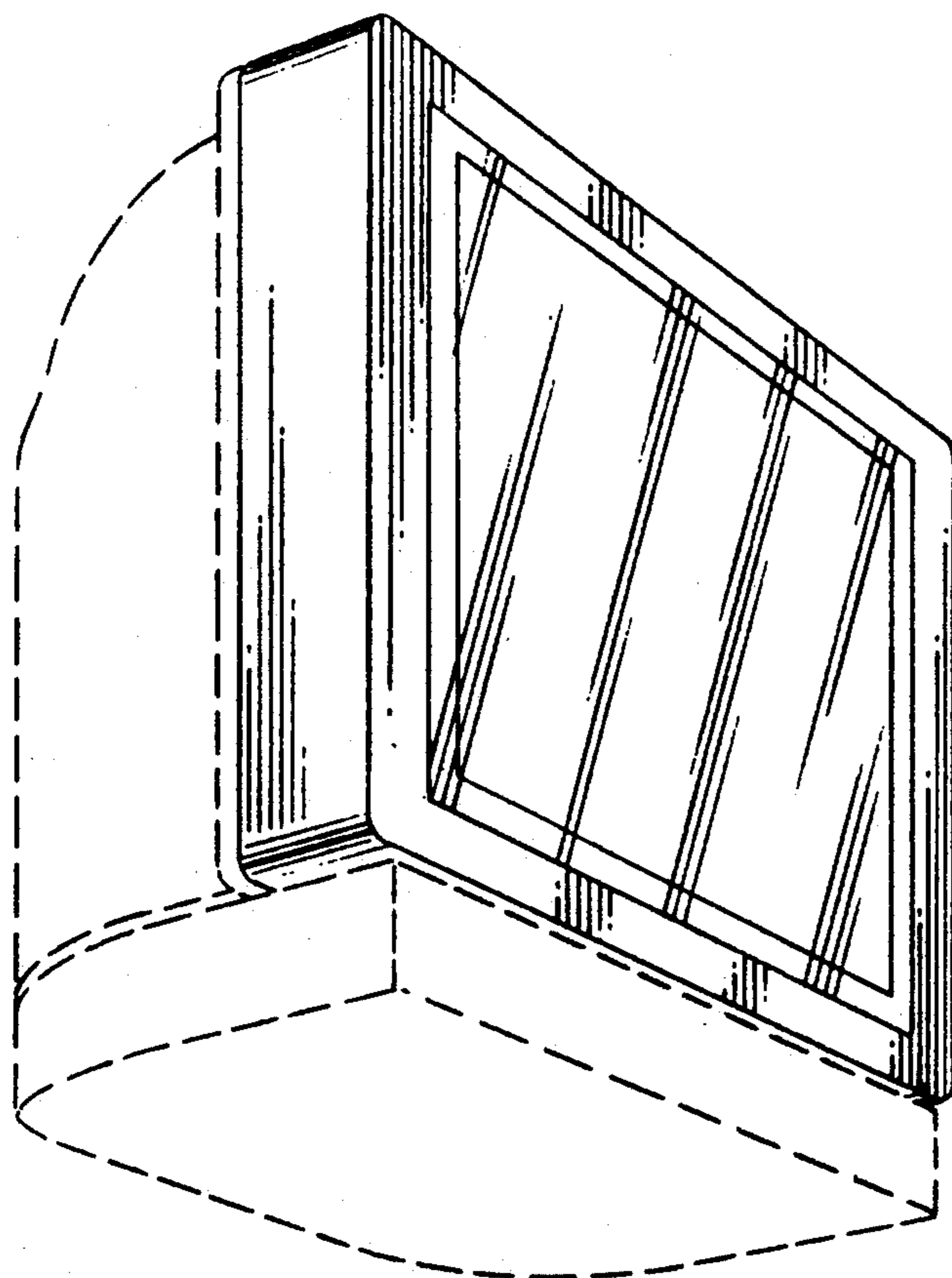


Fig. 2.