



US00D339573S

United States Patent [19]

Gifford et al.

[11] Patent Number: **Des. 339,573**

[45] Date of Patent: **** Sep. 21, 1993**

[54] PERIPHERAL TAPE DRIVE HOUSING

[75] Inventors: **Michael F. Gifford**, San Jose; **Craig M. Leverault**, Mountain View; **Tuan T. Vu**, San Jose; **Philip G. Yurkonis**, Campbell, all of Calif.

[73] Assignee: **Sun Microsystems, Inc.**, Mountain View, Calif.

[**] Term: **14 Years**

[21] Appl. No.: **725,244**

[22] Filed: **Jul. 3, 1991**

Related U.S. Application Data

[63] Continuation-in-part of Ser. No. 558,172, Jul. 25, 1990, Pat. No. D. 320,007.

[52] U.S. Cl. **D14/108**

[58] Field of Search **D14/100, 102, 108, 109; D13/162, 184, 199; 361/390-395; 312/198, 208.1**

[56] References Cited

U.S. PATENT DOCUMENTS

- D. 301,137 5/1989 Treptow et al. D14/107
- D. 304,823 11/1989 Pfeifer et al. D14/109 X
- D. 306,437 3/1990 Hara D14/109
- D. 320,007 9/1991 Leverault et al. D14/100
- D. 323,818 2/1992 Willis et al. D14/100

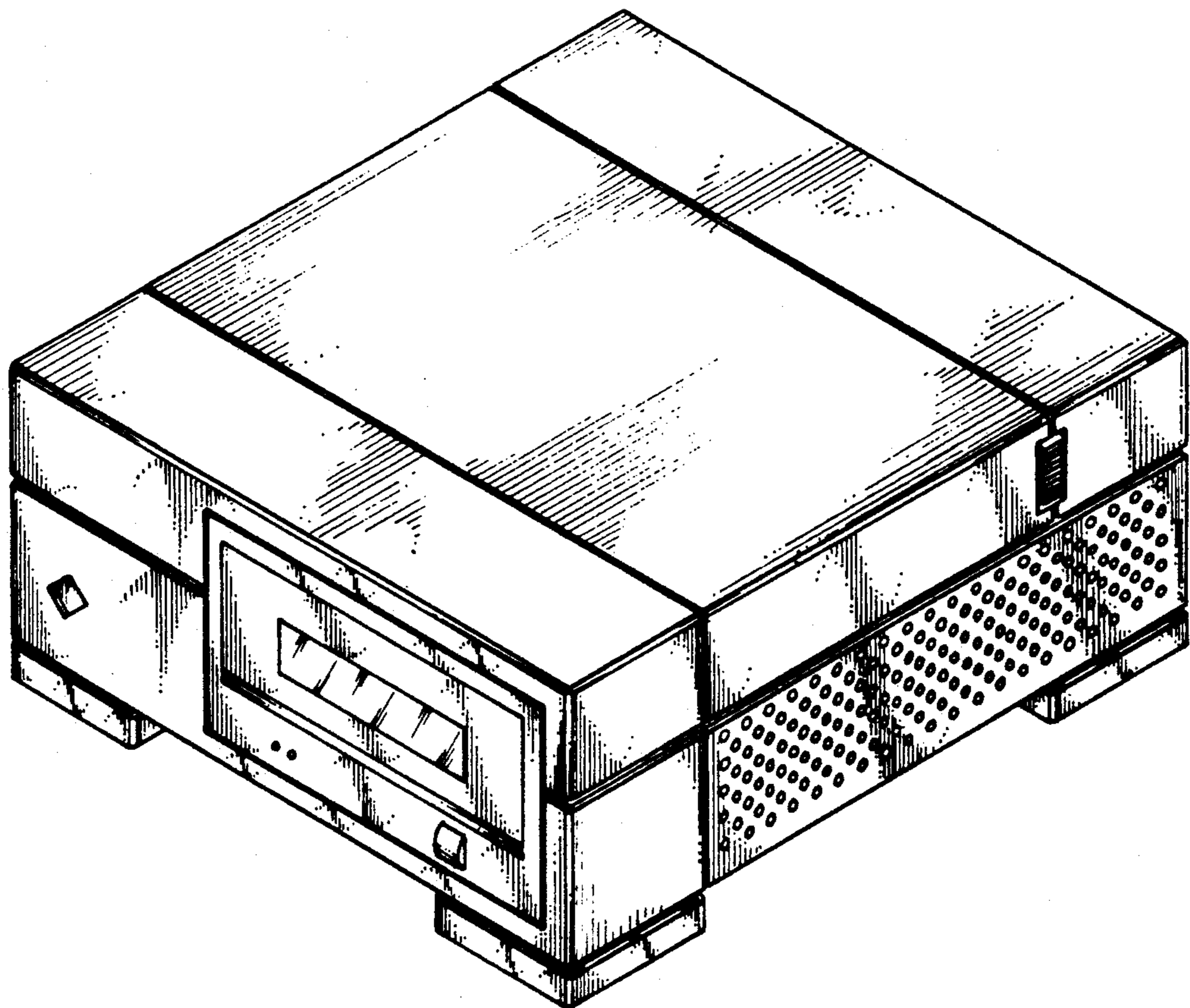
Primary Examiner—Wallace R. Burke
Assistant Examiner—Freda S. Nunn
Attorney, Agent, or Firm—Blakely Sokoloff Taylor & Zafman

[57] CLAIM

The ornamental design for a peripheral tape drive housing, as shown and described.

DESCRIPTION

FIG. 1 is a perspective view of the peripheral tape drive housing showing the front, top, and right side of our design;
 FIG. 2 is a front elevational view thereof;
 FIG. 3 is a top plan view thereof;
 FIG. 4 is a left side elevational view thereof, the right elevational side view being a mirror image of the left side;
 FIG. 5 is a rear elevational view thereof; and,
 FIG. 6 is a bottom plan view thereof.



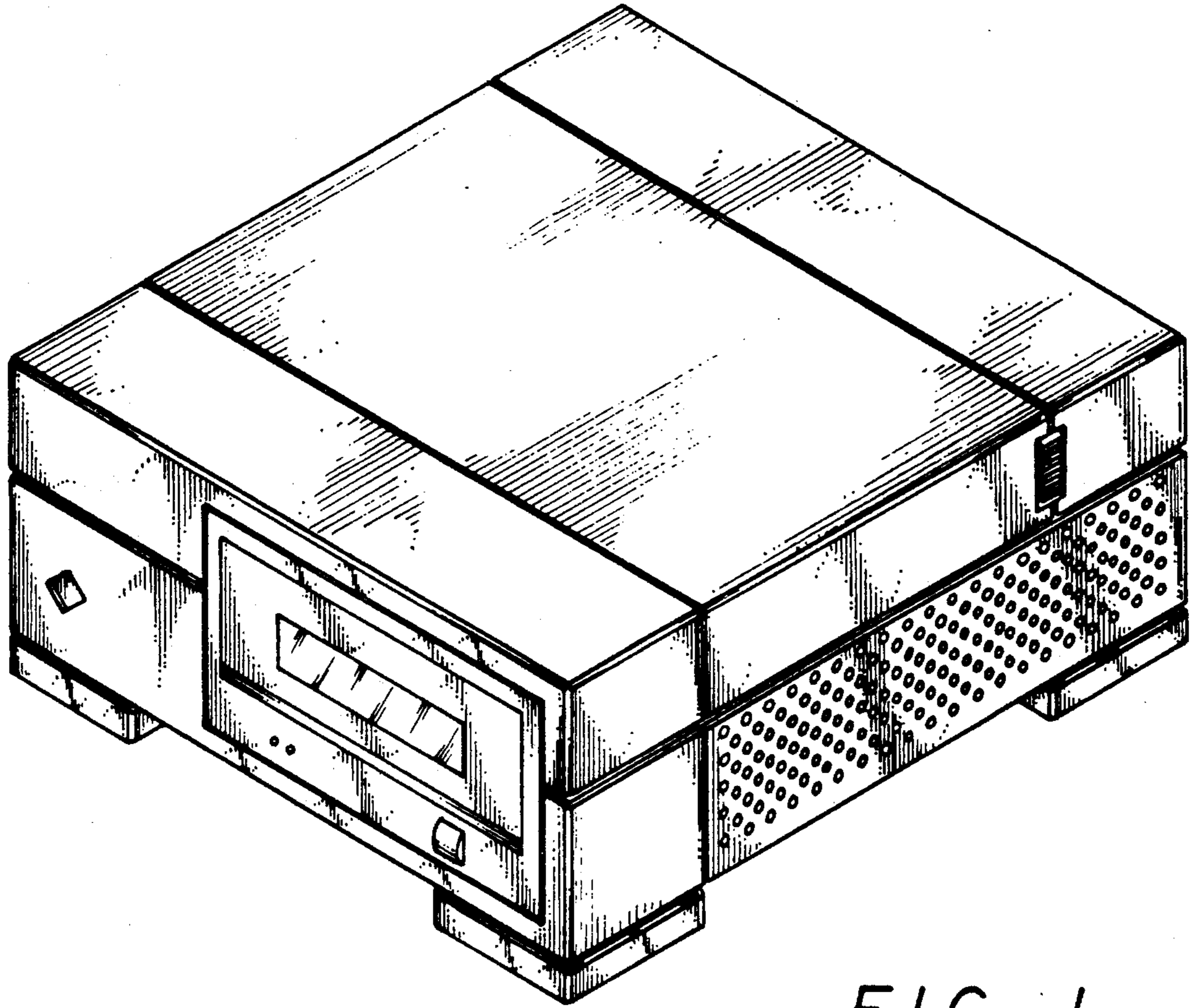


FIG. 1

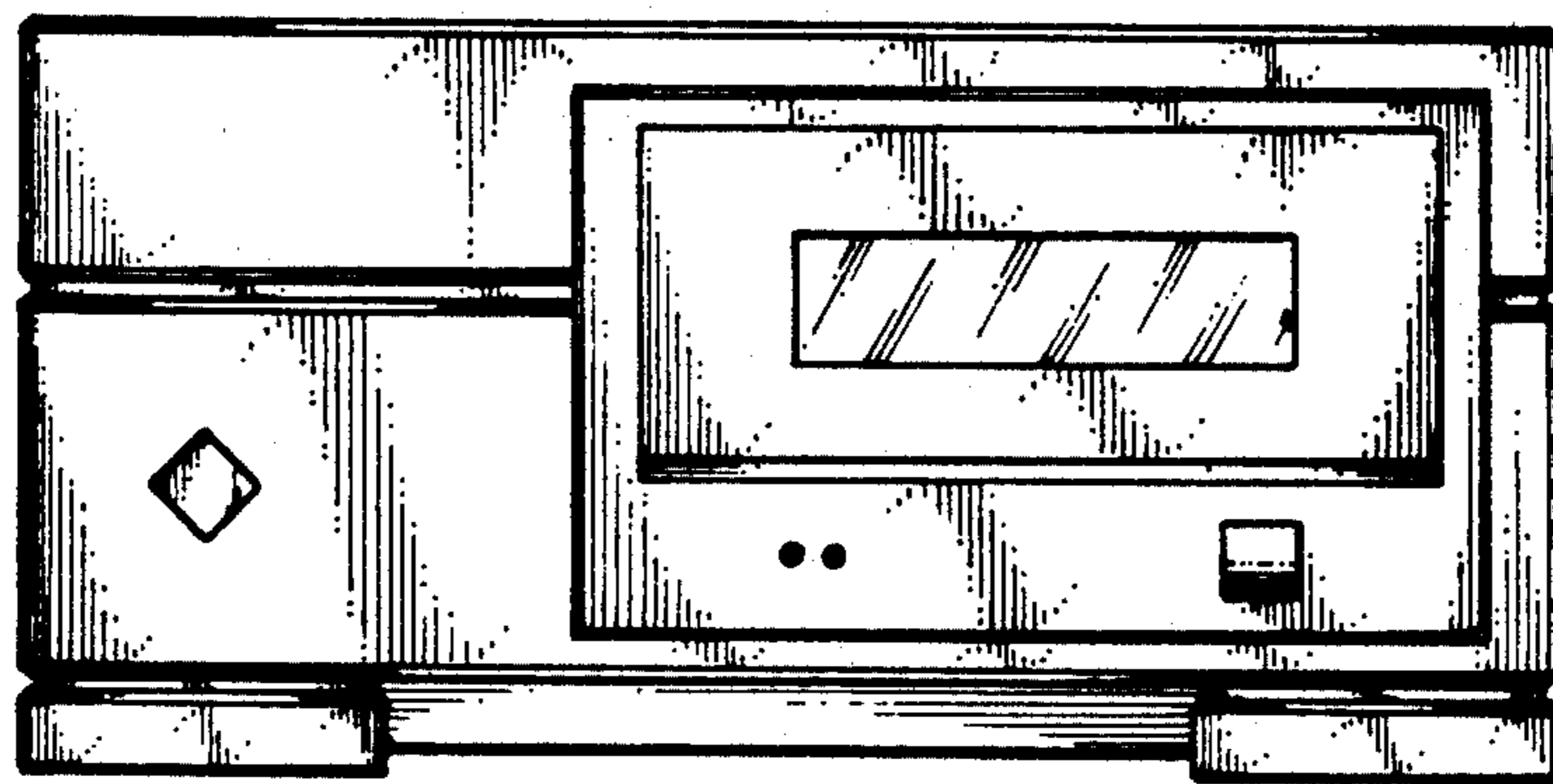


FIG. 2

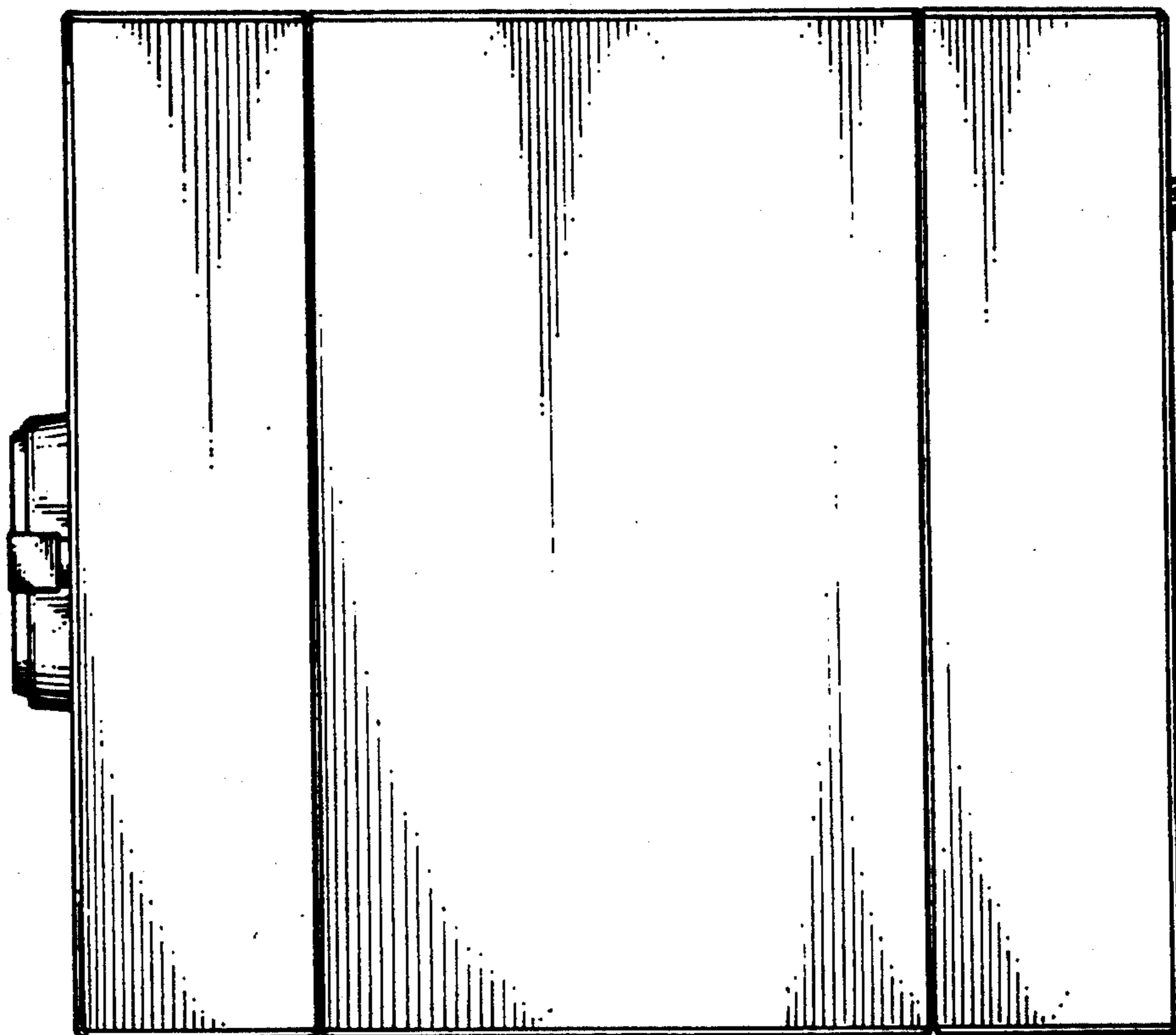


FIG. 3

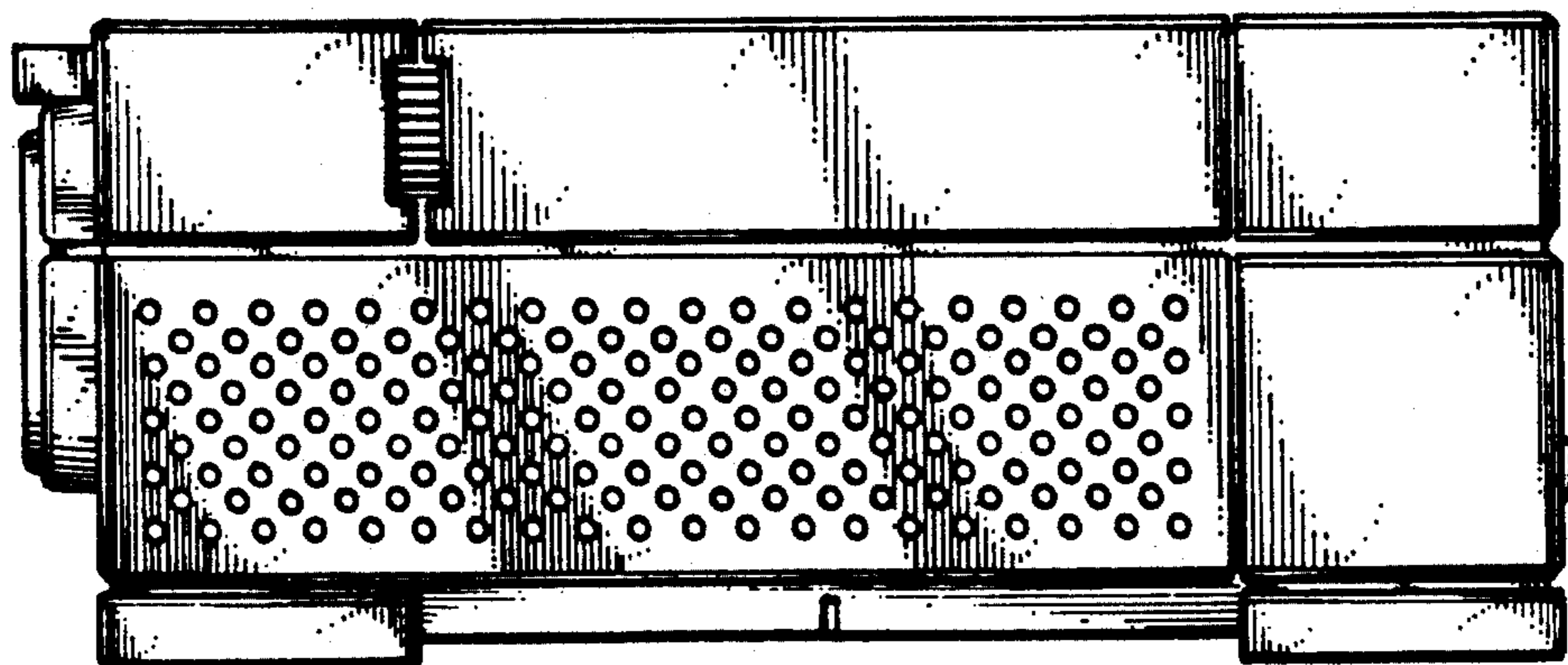


FIG. 4

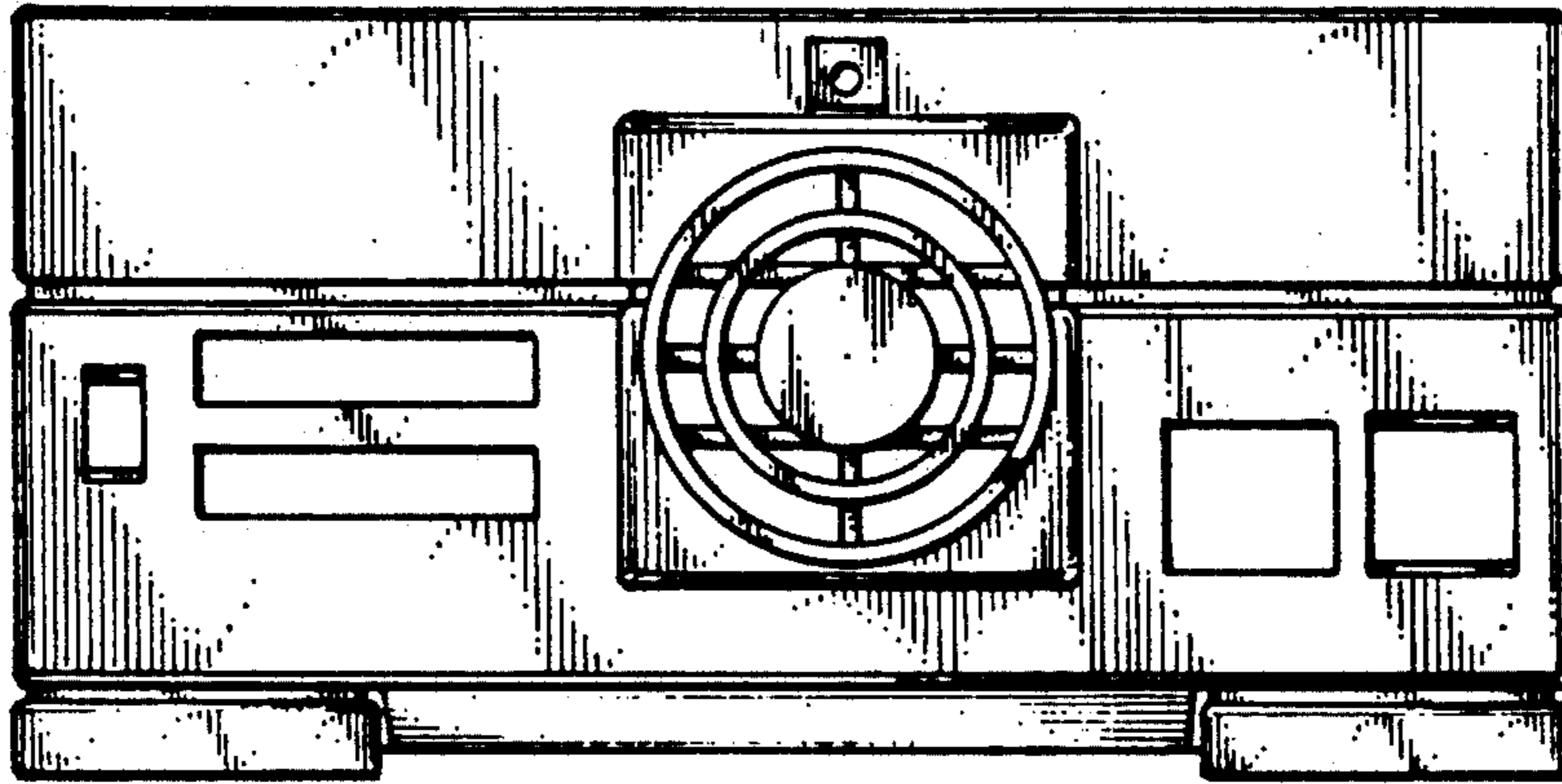


FIG. 5

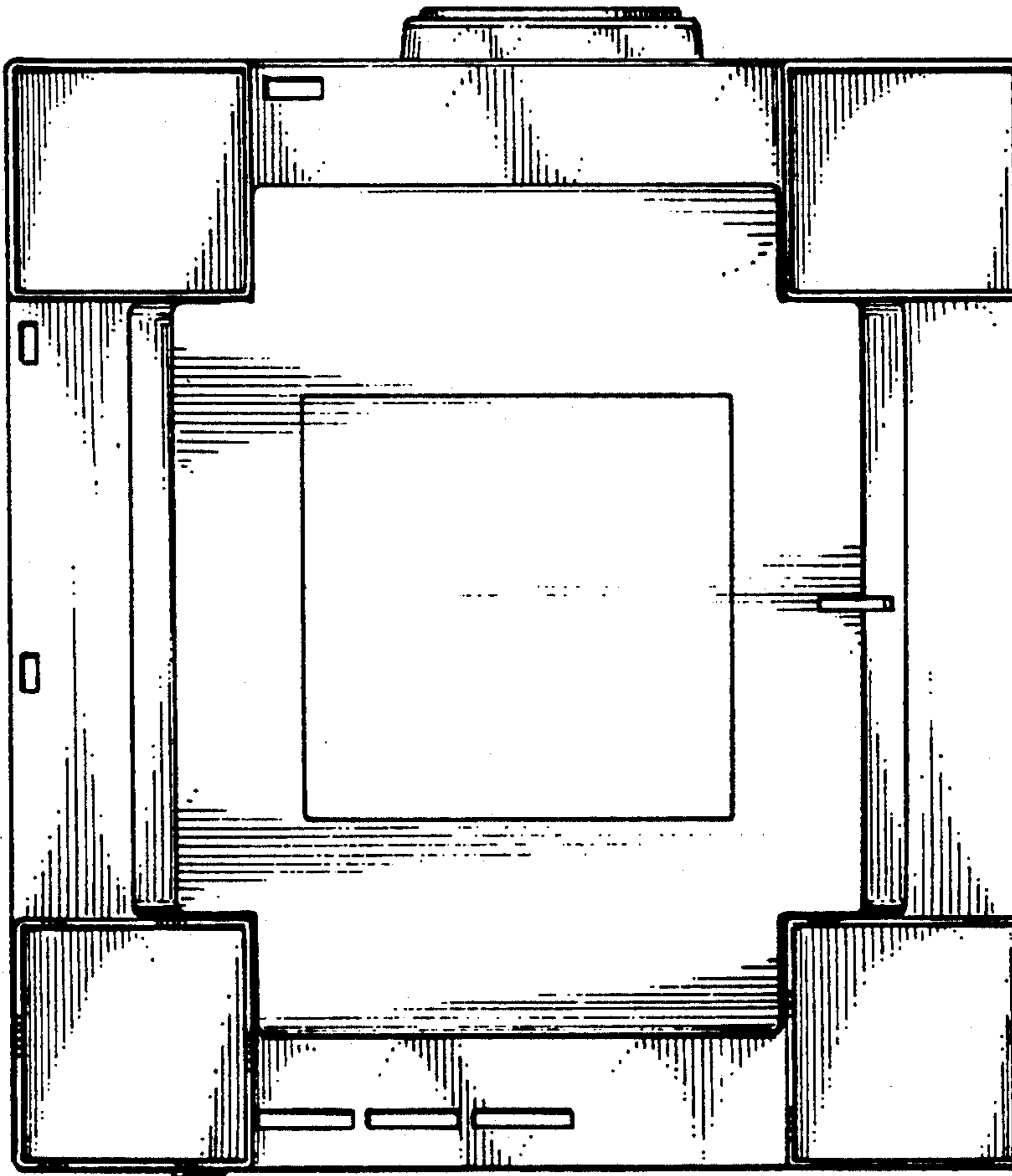


FIG. 6