



US00D339572S

United States Patent [19]

[11] Patent Number: **Des. 339,572**

Savio

[45] Date of Patent: **** Sep. 21, 1993**

[54] COUNTERTOP PROCESSOR

5,113,060 5/1992 Wike, Jr. et al. 235/383

[75] Inventor: **Dino M. Savio**, Clearwater, Fla.

OTHER PUBLICATIONS

[73] Assignee: **International Business Machines Corporation**, Armonk, N.Y.

Office Products May 1979 p. 88 Electronic Cash Register.

[**] Term: **14 Years**

Primary Examiner—Wallace R. Burke

Assistant Examiner—Freda S. Nunn

[21] Appl. No.: **1,143**

Attorney, Agent, or Firm—Romualdas Strimaitis

[22] Filed: **Oct. 23, 1992**

[57] CLAIM

The ornamental design for countertop processor, as shown and described.

Related U.S. Application Data

DESCRIPTION

[62] Division of Ser. No. 524,761, May 15, 1990.

[52] U.S. Cl. **D14/105; D18/4**

[58] Field of Search **D14/100, 101, 106, 107, D14/113, 115; D18/1, 4, 7; 235/145 A, 145 R, 2, 6, 7 R, 383; 364/405, 706-708; 340/700, 706; 341/22, 23; 361/390; 194/205**

FIG. 1 is a right front perspective view of a countertop processor showing my new design;

FIG. 2 is a right front perspective view thereof;

FIG. 3 is a left front perspective view thereof;

FIG. 4 is a left front perspective view thereof;

FIG. 5 is a left rear perspective view thereof;

FIG. 6 is a left rear perspective view thereof;

FIG. 7 is a right rear perspective view thereof;

FIG. 8 is a right rear perspective view thereof;

FIG. 9 is a right side view thereof;

FIG. 10 is a front view thereof;

FIG. 11 is a left side view thereof; and,

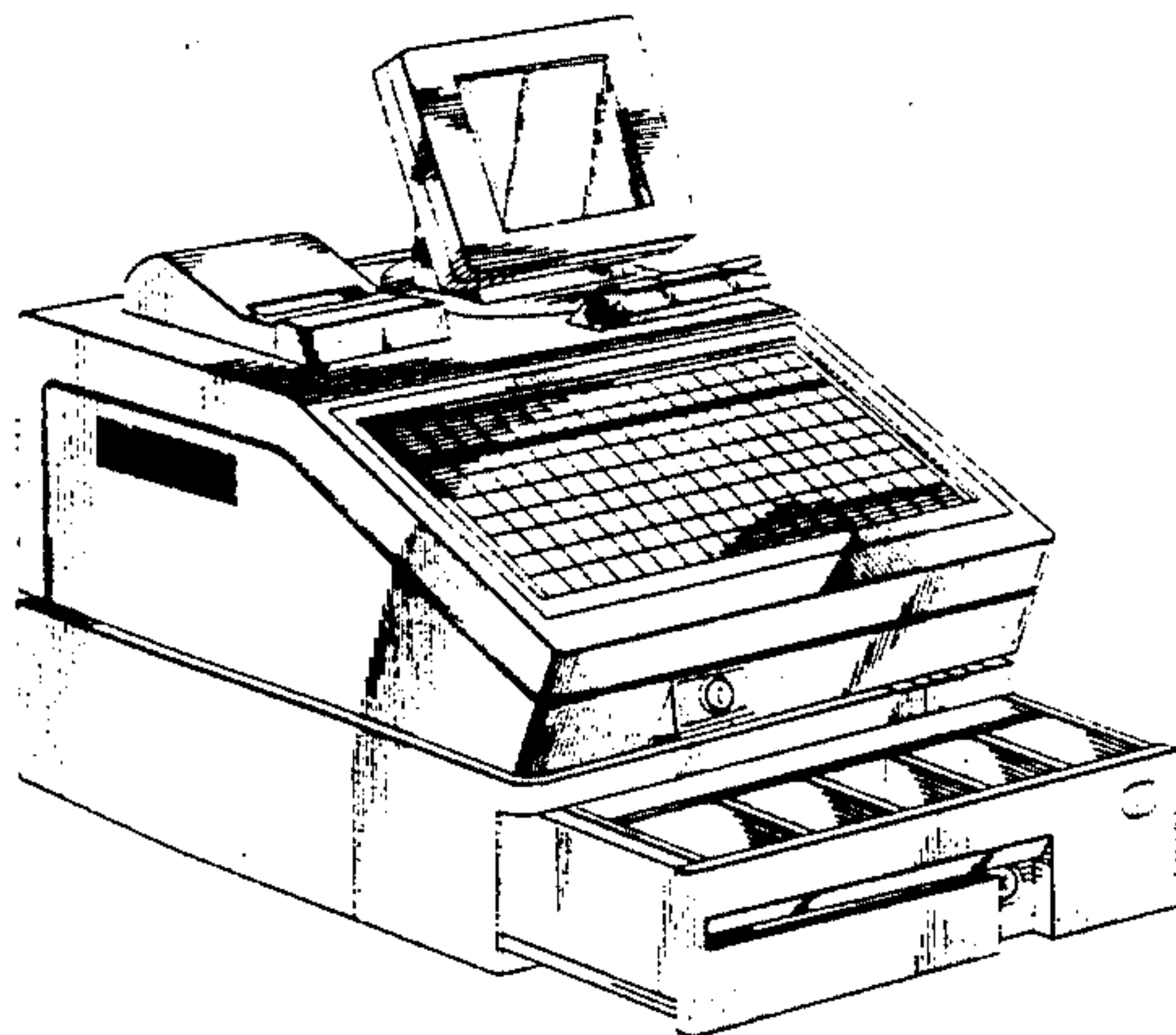
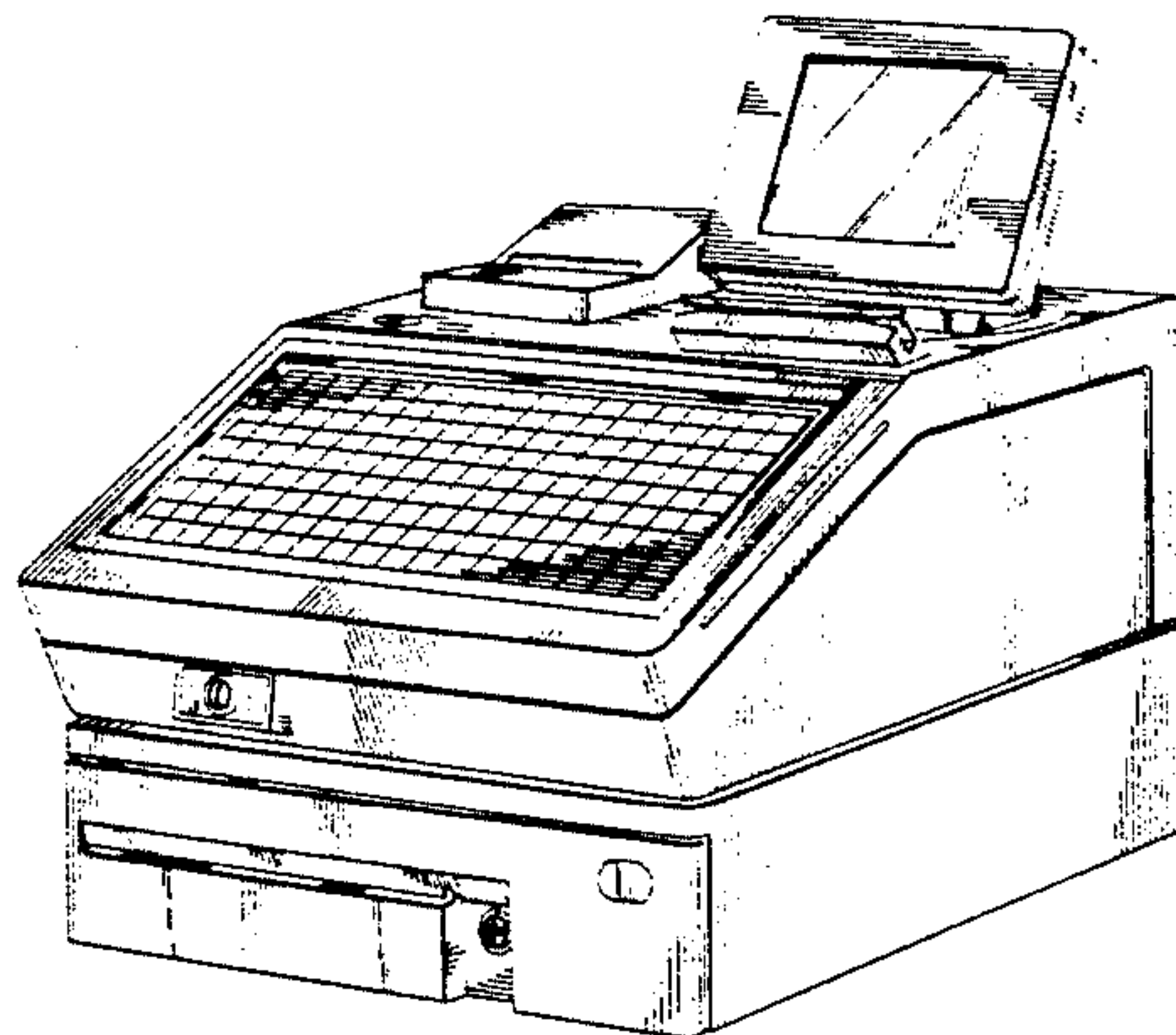
FIG. 12 is a rear view thereof.

The cash drawer is shown in the opened position in FIGS. 2, 4, 6, and 8 and FIGS. 9-12 are drawn on a slightly enlarged scale.

[56] References Cited

U.S. PATENT DOCUMENTS

- D. 260,990 9/1981 Williams D14/105
- D. 269,623 7/1983 Kato et al. D14/105 X
- D. 303,537 9/1989 Kato et al. D18/4
- D. 304,444 11/1989 Ikeya D14/105
- D. 308,857 6/1990 Bianco D14/100
- D. 310,212 8/1990 Forsythe D14/106
- D. 319,251 8/1991 Ishida et al. D18/4
- D. 320,036 9/1991 Chen D18/4



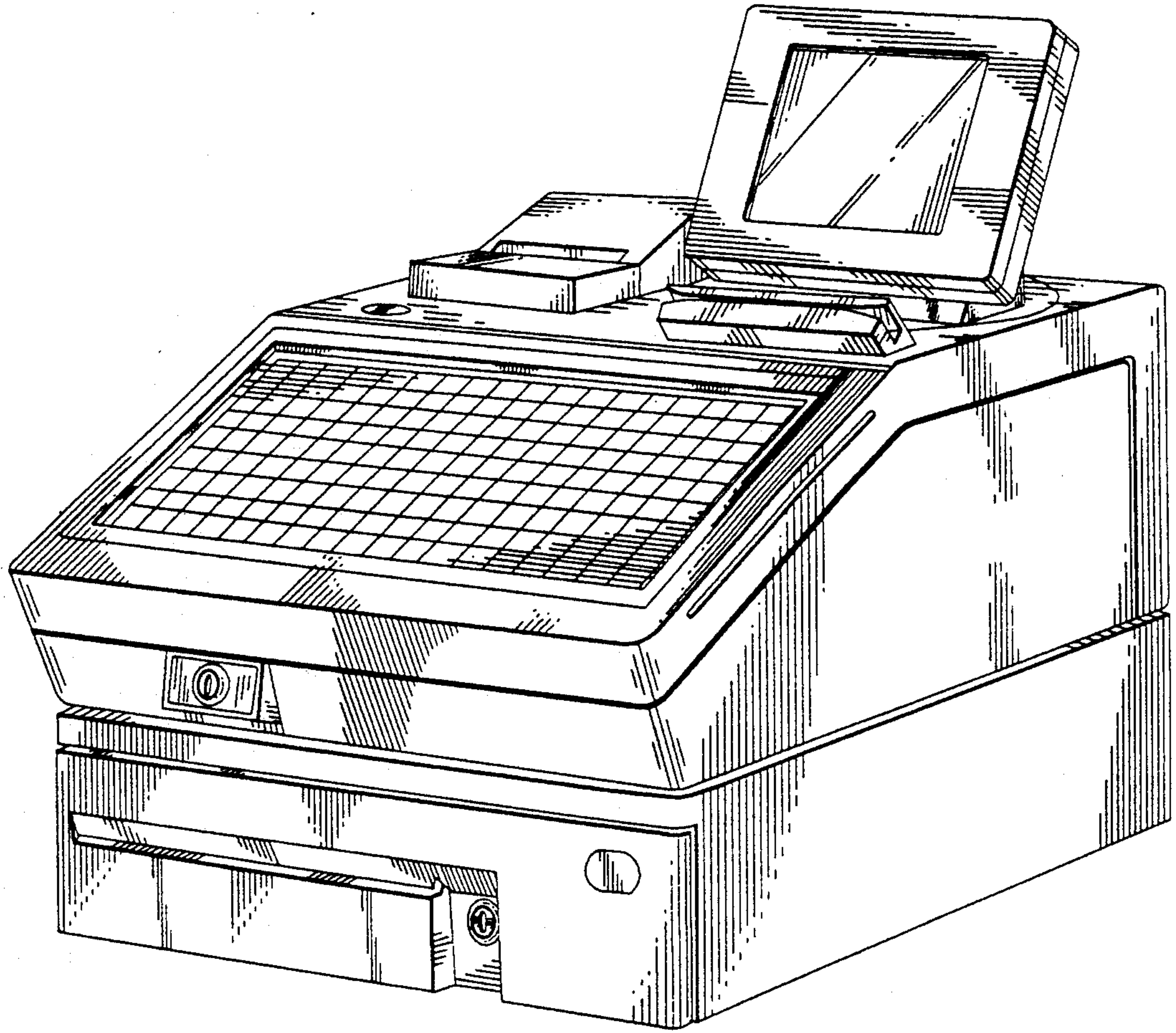


FIG. 1

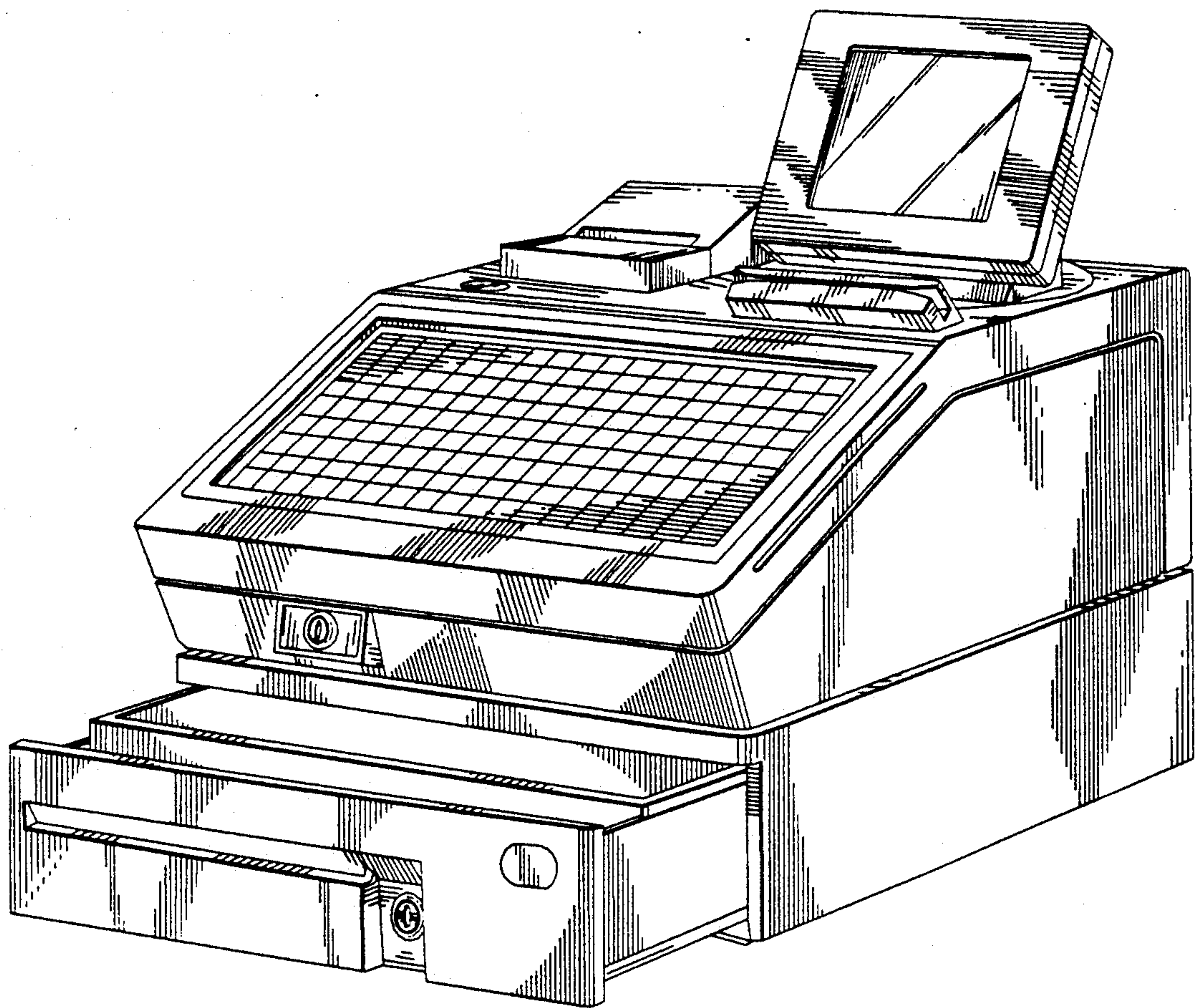


FIG. 2

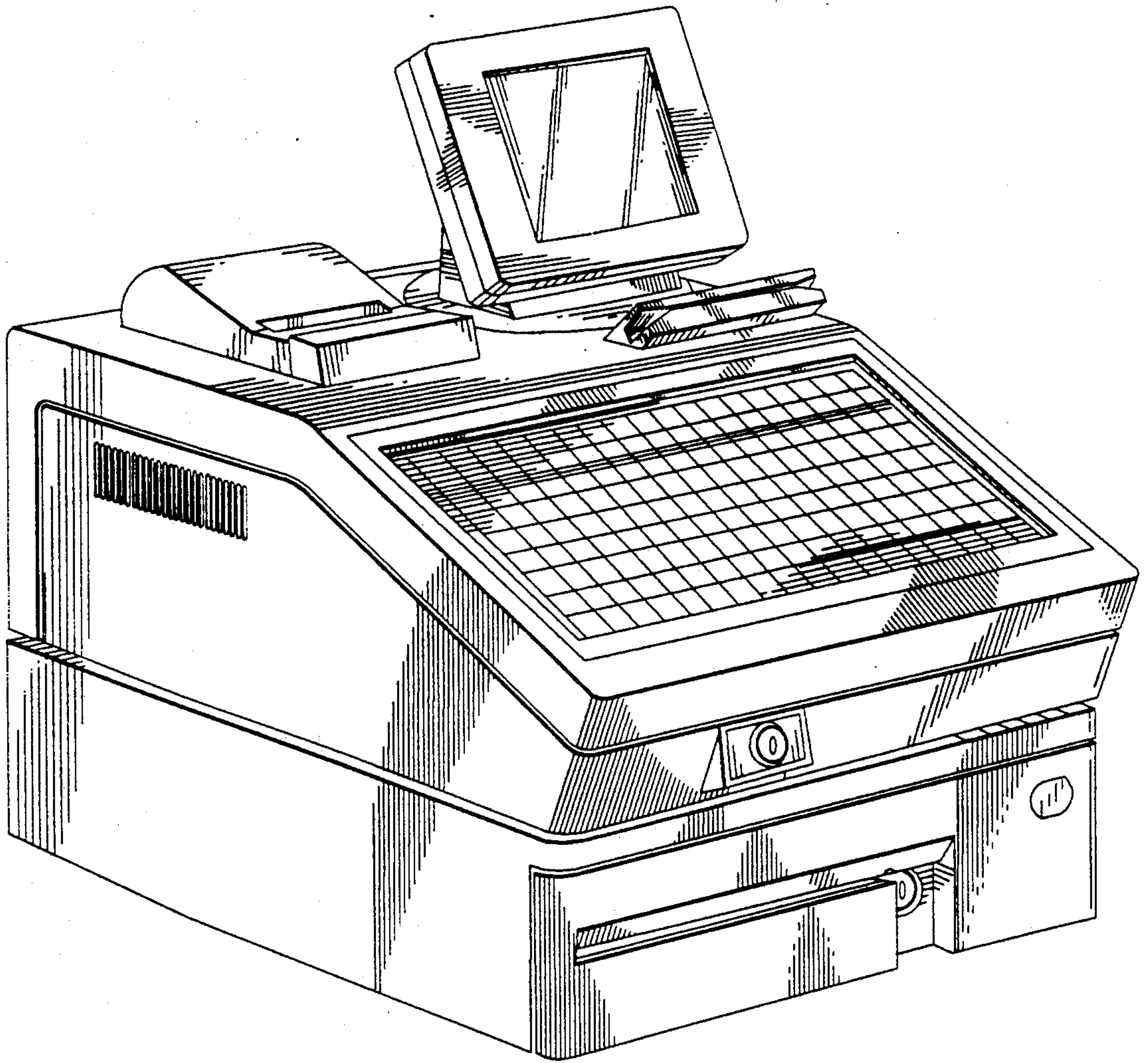


FIG. 3

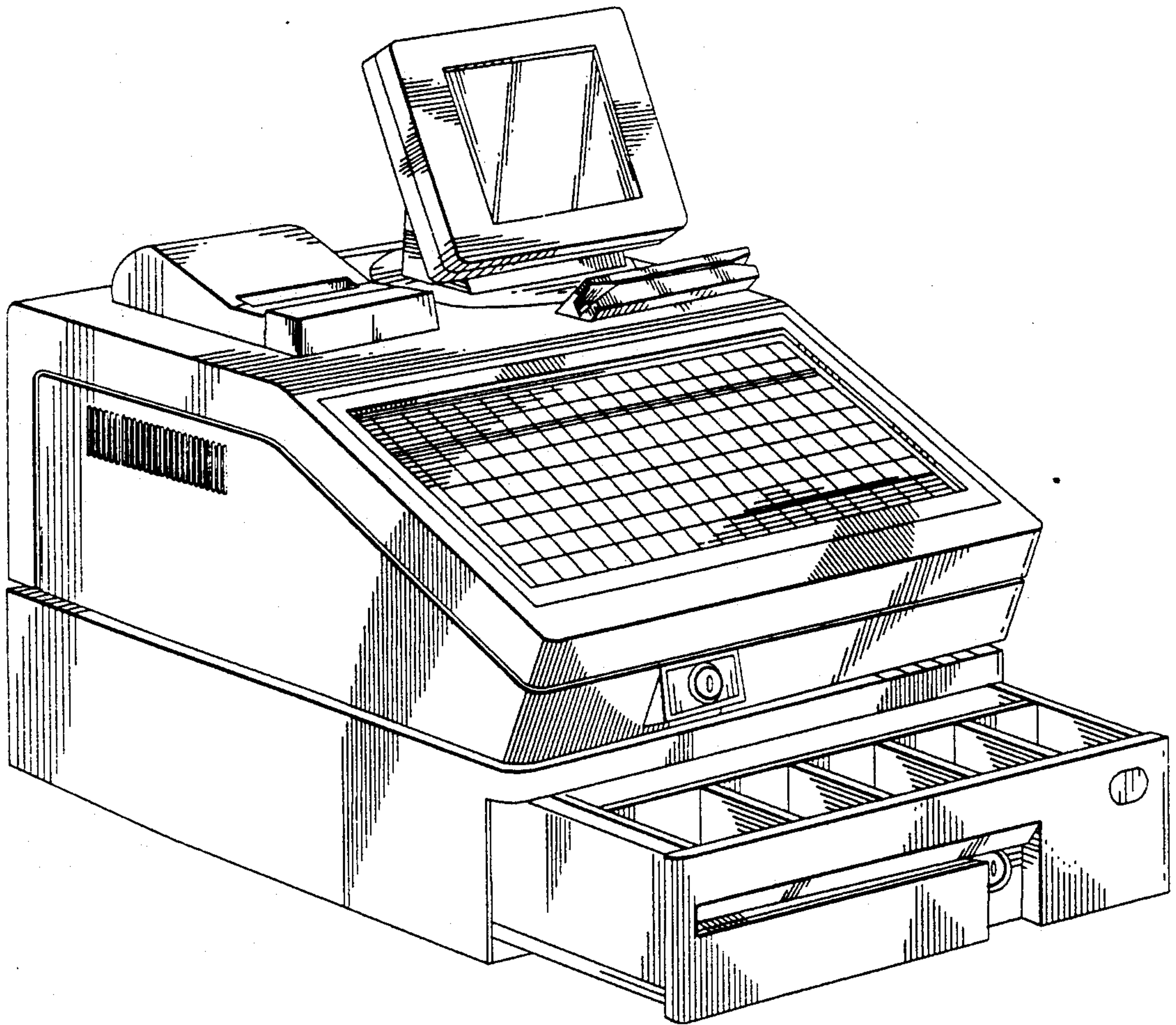


FIG. 4

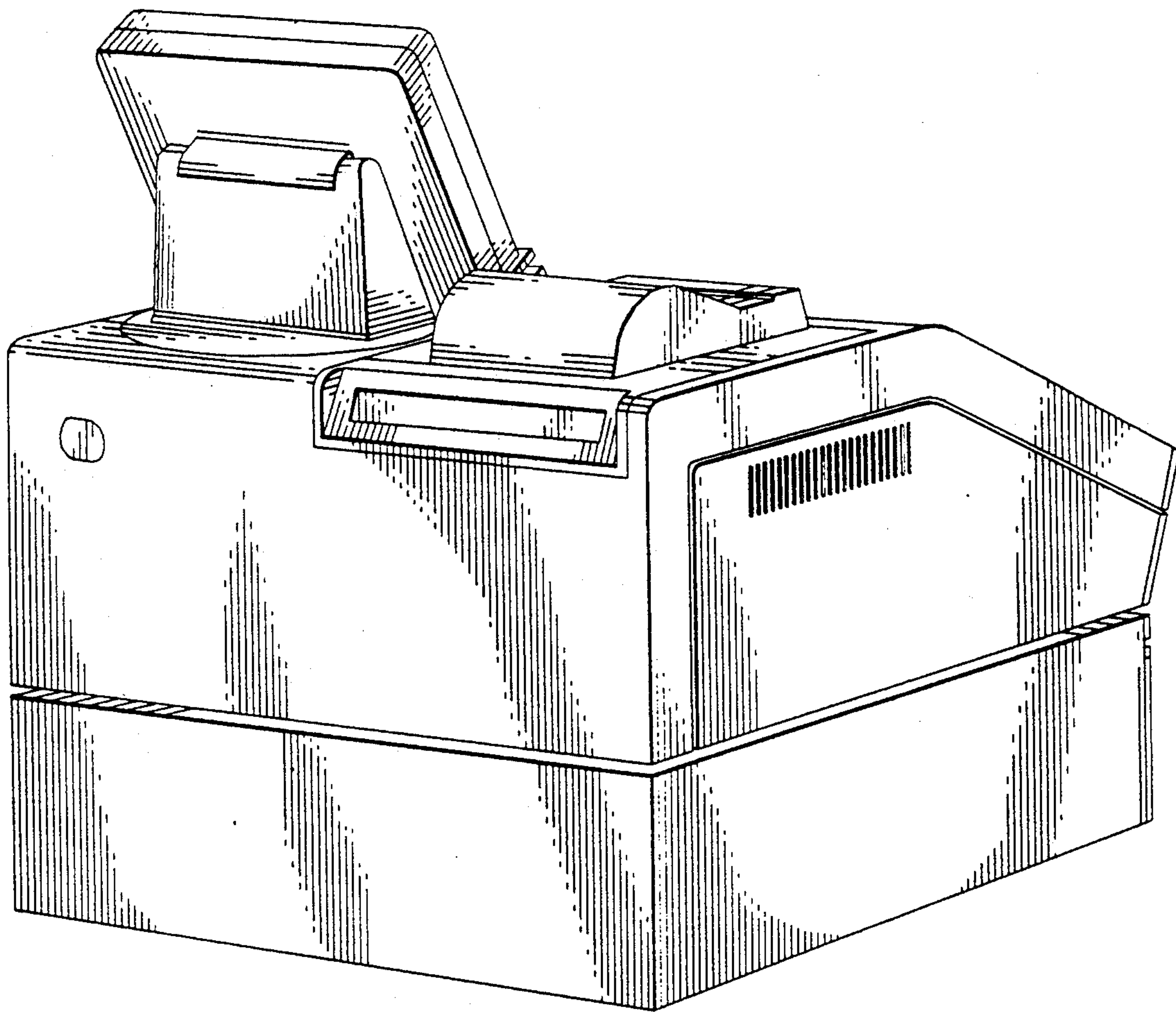


FIG. 5

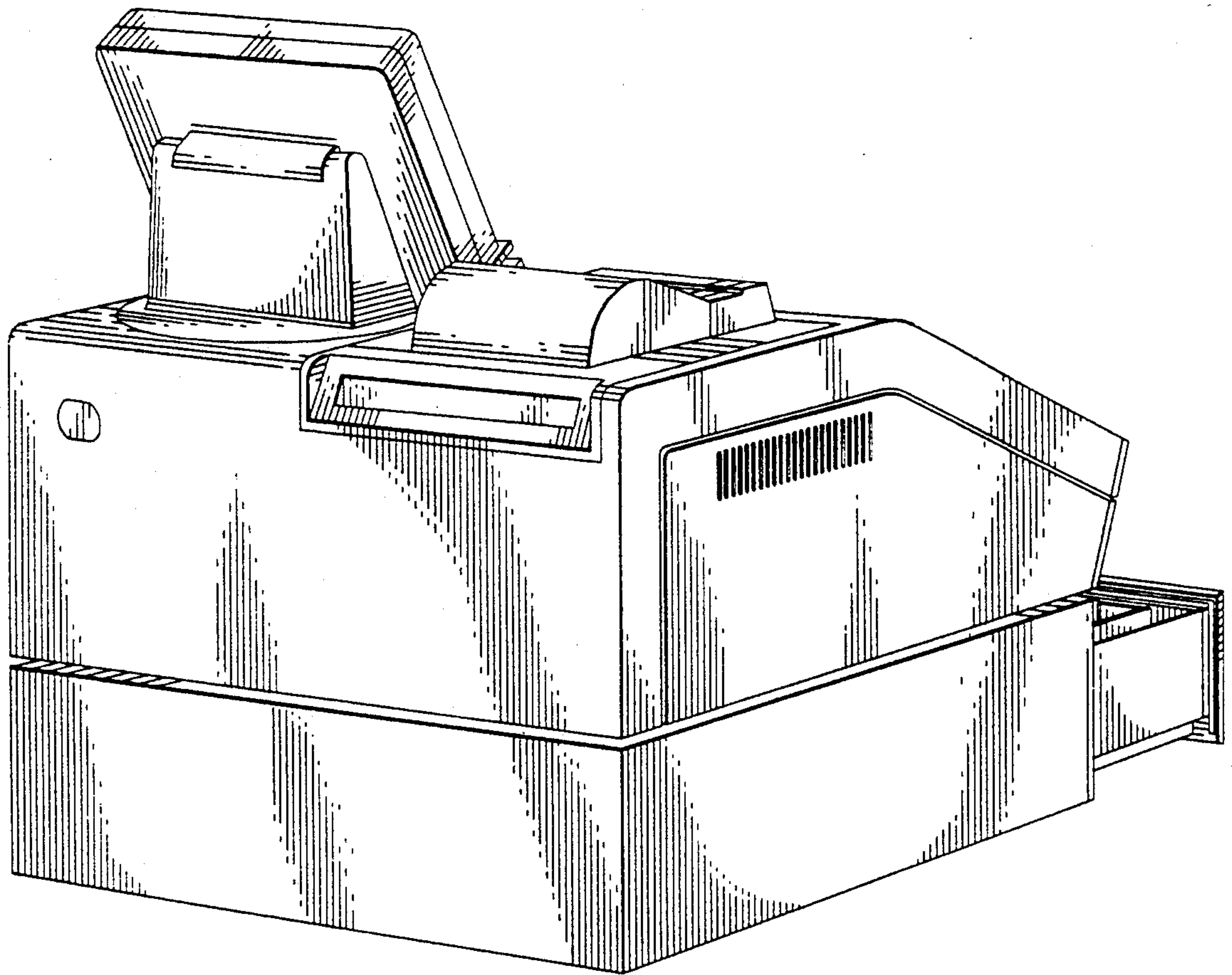


FIG. 6

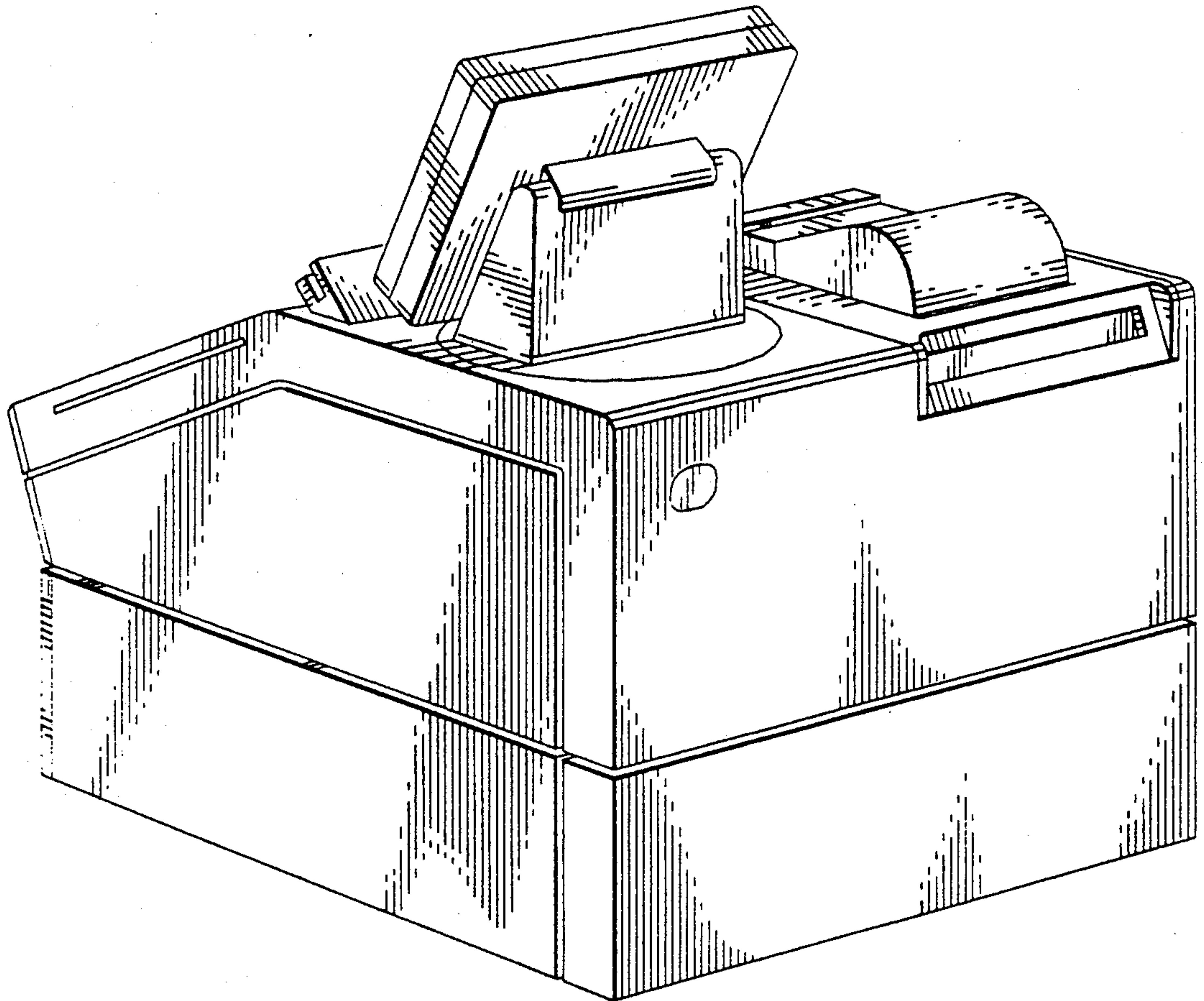


FIG. 7

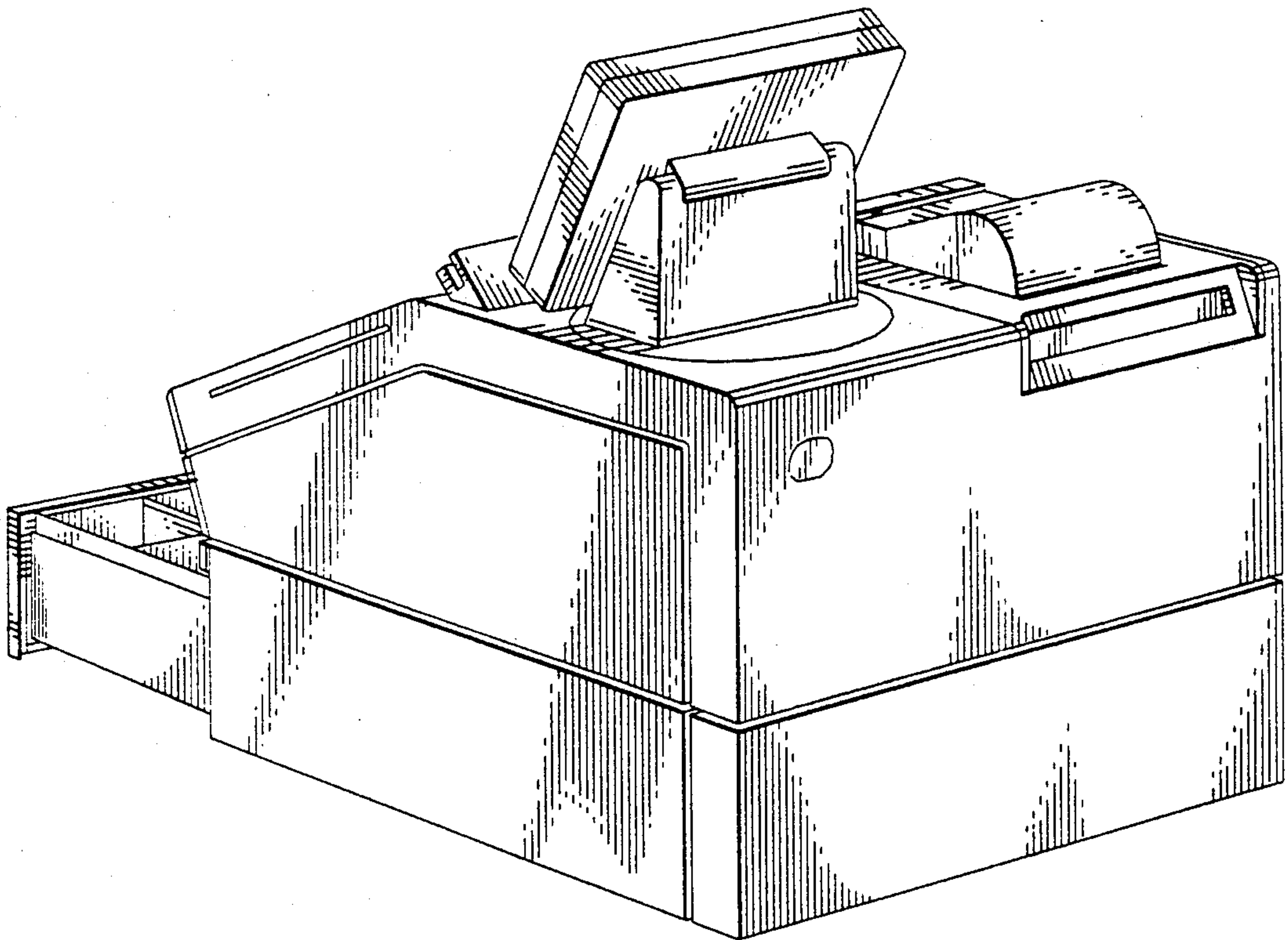


FIG. 8

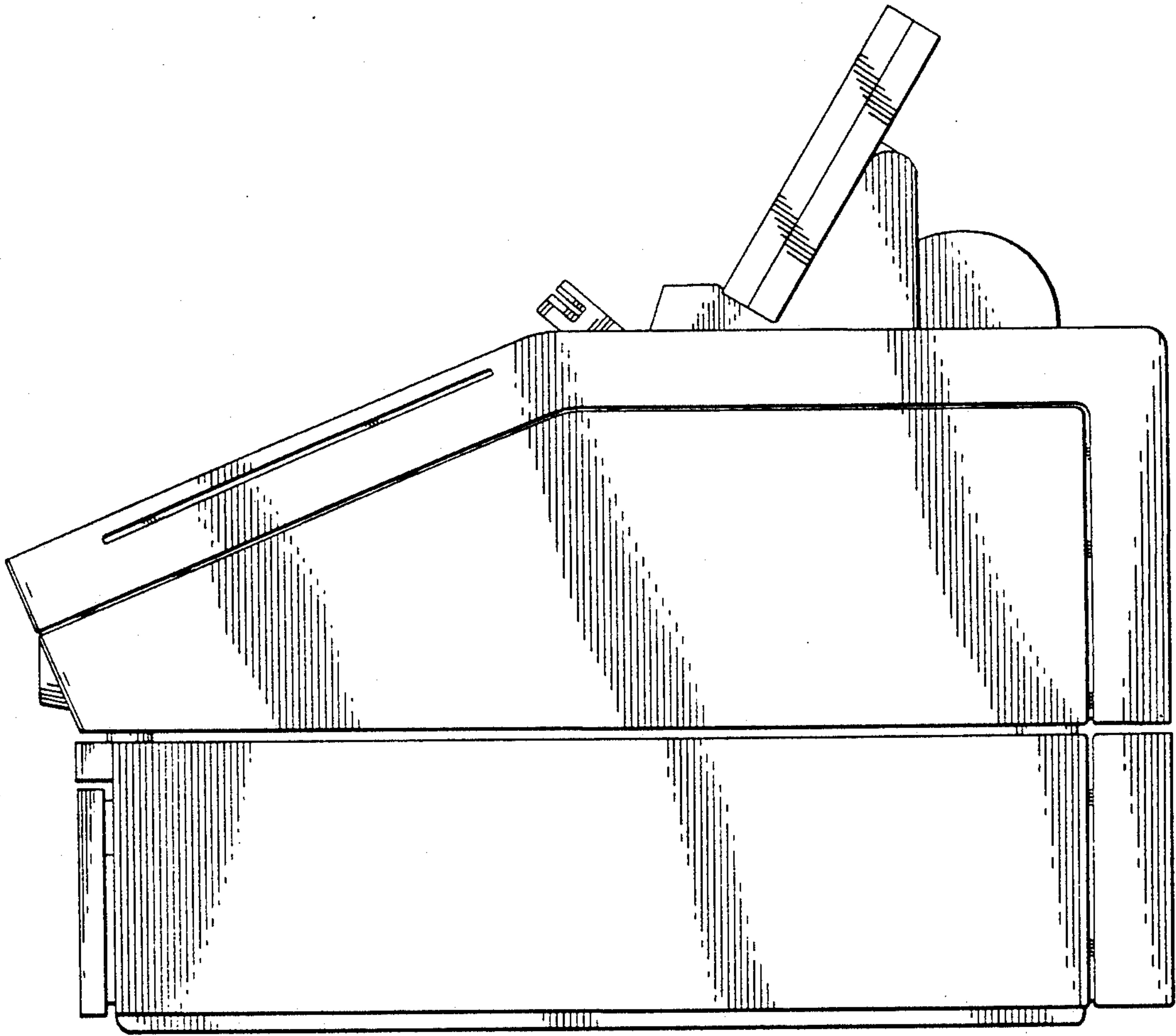


FIG. 9

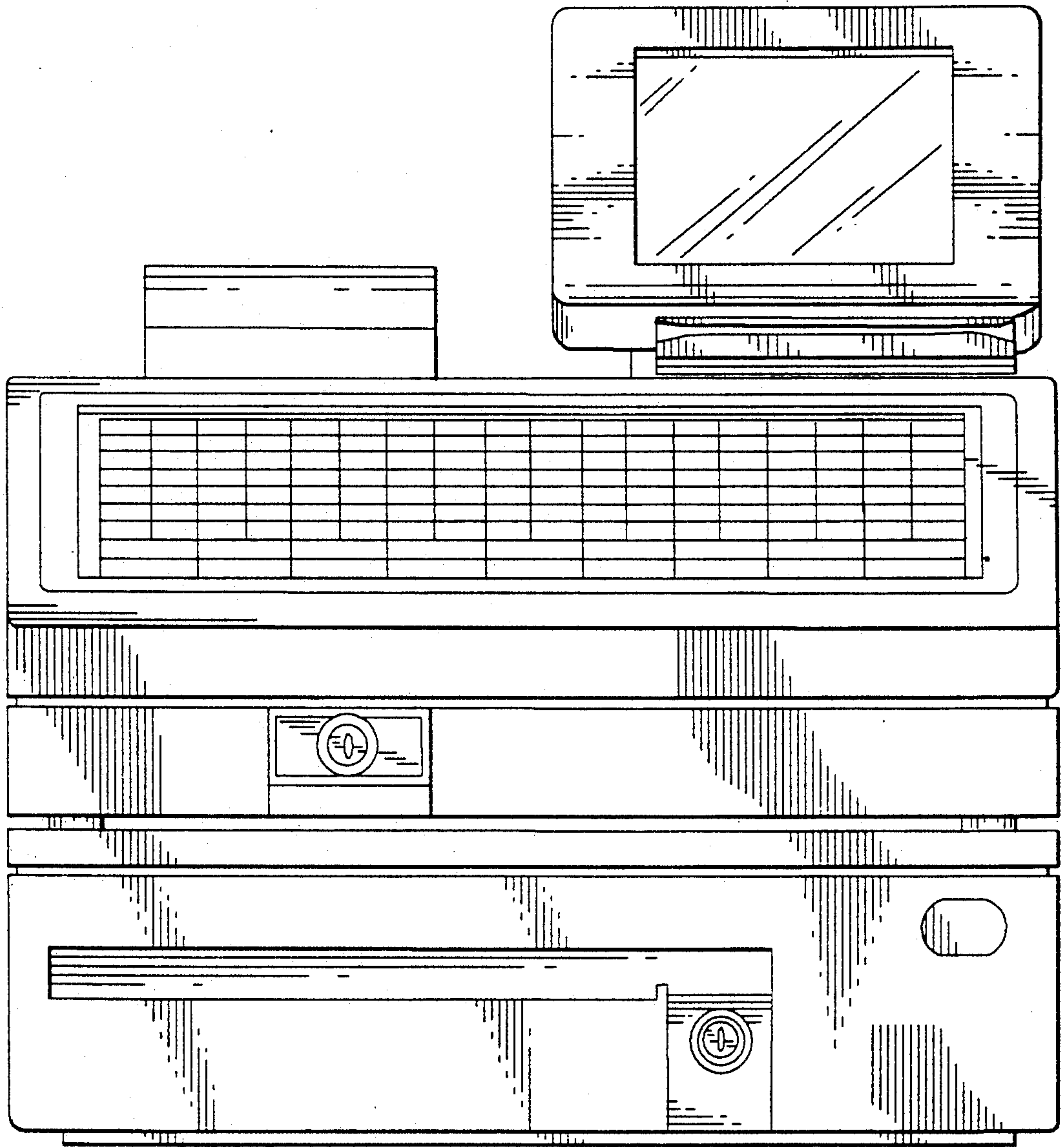


FIG. 10

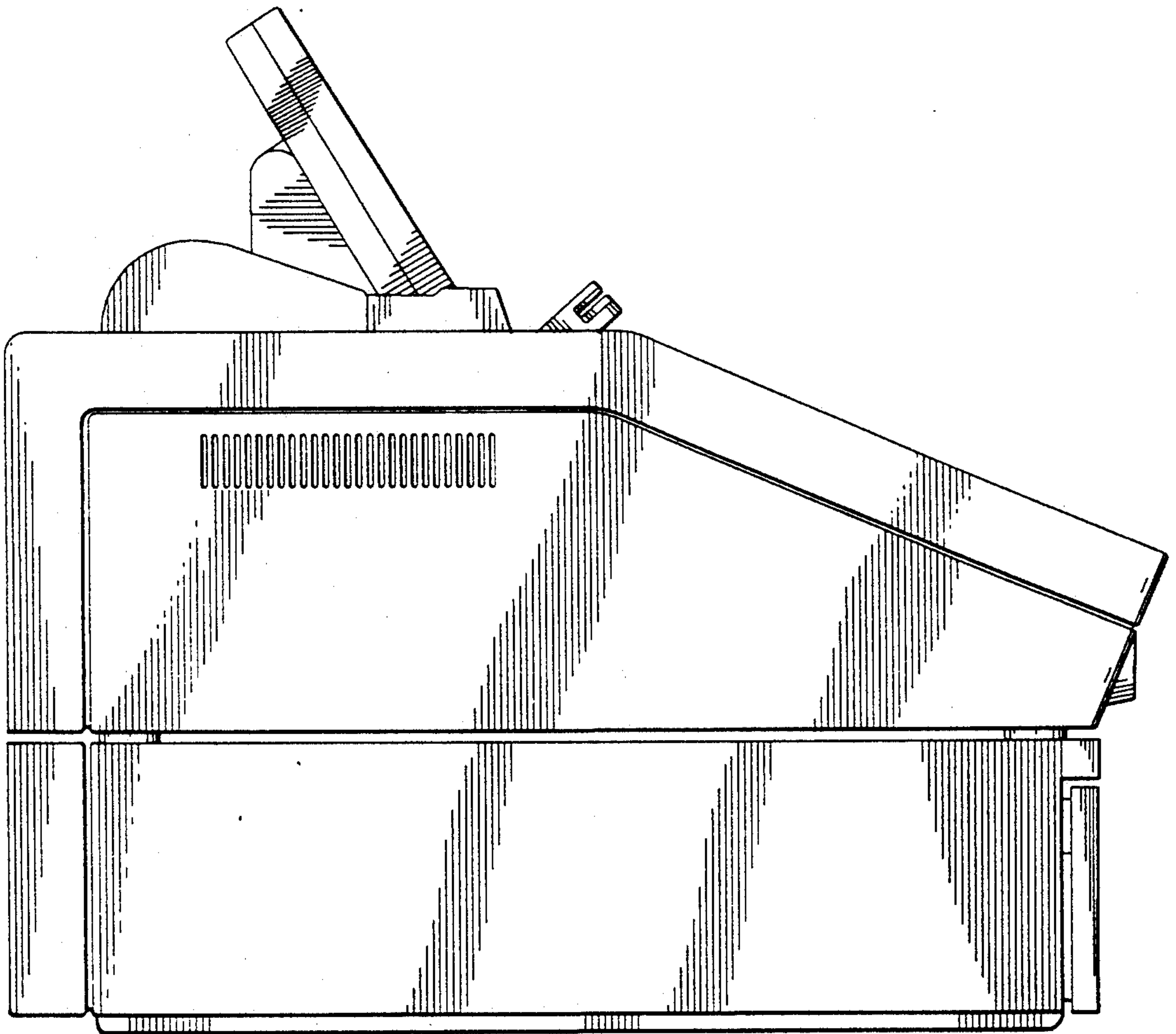


FIG. 11

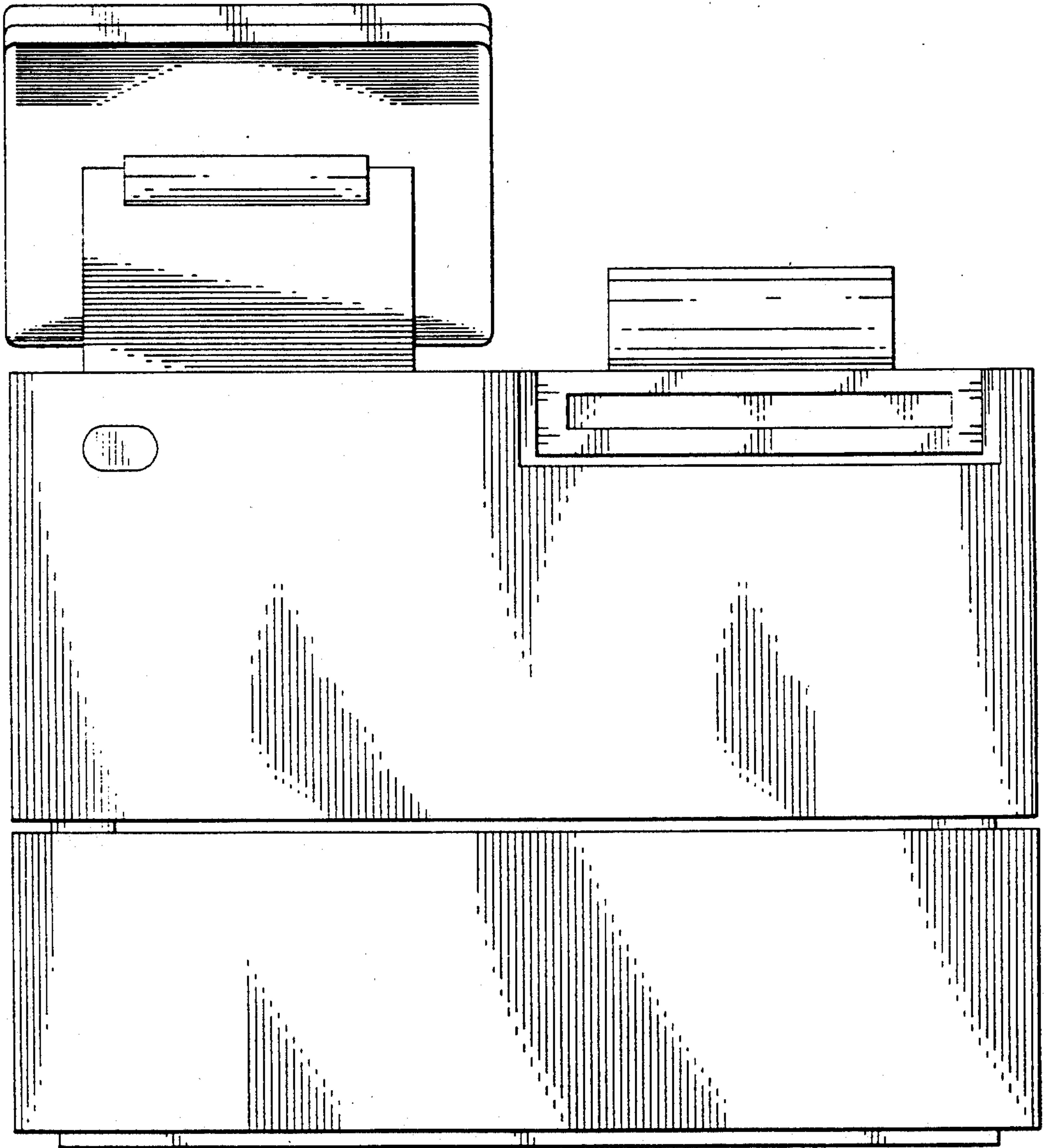


FIG. 12