



US00D339569S

United States Patent [19]

[11] Patent Number: Des. 339,569

Thomas

[45] Date of Patent: ** Sep. 21, 1993

- [54] MULTIPLE SLOT EXPANSION MODULE FOR A PROGRAMMABLE CONTROLLER
- [75] Inventor: Sherman G. Thomas, Earlsyville, Va.
- [73] Assignee: GE Faunc Automation North America, Inc., Charlottesville, Va.
- [**] Term: 14 Years
- [21] Appl. No.: 640,000
- [22] Filed: Jan. 11, 1991
- [52] U.S. Cl. D13/173; D13/162
- [58] Field of Search D13/123, 162, 164, 184, D13/173; 361/380, 383, 391, 392, 393, 394, 395, 399, 415; 248/27.3

Programmable controller base on p. 307 of *Elektrotechnische Zeitschrift*, 2-89.
 Programmable controller base on p. 74 of *Control Engineering*, 7-89.
 Programmable controller base on p. 11 of *Control Engineering*, 10-89.

Primary Examiner—Wallace R. Burke
 Assistant Examiner—Joel Sincavage
 Attorney, Agent, or Firm—James H. Beusse

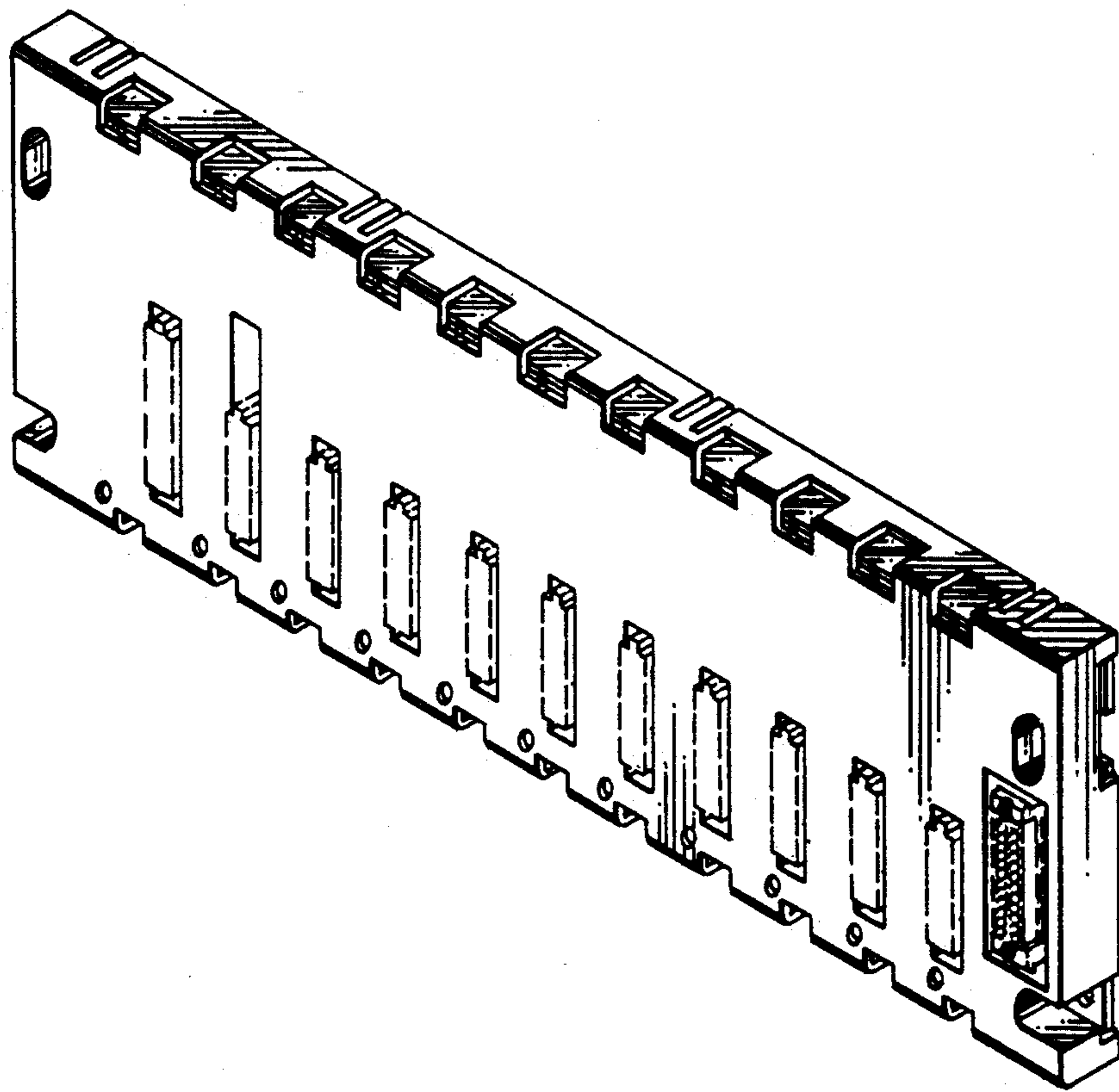
[57] CLAIM

The ornamental design for a multiple slot expansion module for a programmable controller, as shown and described.

DESCRIPTION

FIG. 1 is a front elevational view of a multi-slot expansion module for a programmable controller showing my new design. The broken line showing of the conventional multi-pin connectors is included for the purpose of illustrating environmental elements only and forms no part of the claimed design;
 FIG. 2 is a rear elevational view thereof;
 FIG. 3 is a bottom plan view thereof;
 FIG. 4 is a top plan view thereof;
 FIG. 5 is a left side elevational view thereof;
 FIG. 6 is a right side elevational view thereof;
 FIG. 7 is a front and upper right perspective view thereof; and,
 FIG. 8 is a rear and lower left perspective view thereof.

- [56] **References Cited**
- U.S. PATENT DOCUMENTS**
- D. 300,426 3/1989 Lotz D13/184 X
- D. 306,429 3/1990 Hiatt et al. D13/184
- D. 325,900 5/1992 Shimizu et al. D13/162
- 4,152,750 5/1979 Bremenour et al. 361/383
- 4,991,056 2/1991 Shimizu et al. 361/380
- FOREIGN PATENT DOCUMENTS**
- 3041725 5/1982 Fed. Rep. of Germany 248/27.3
- OTHER PUBLICATIONS**
- Programmable controller base in Koyo Electronics Industries brochure No. 0770-1-1DG, Jul. '88.



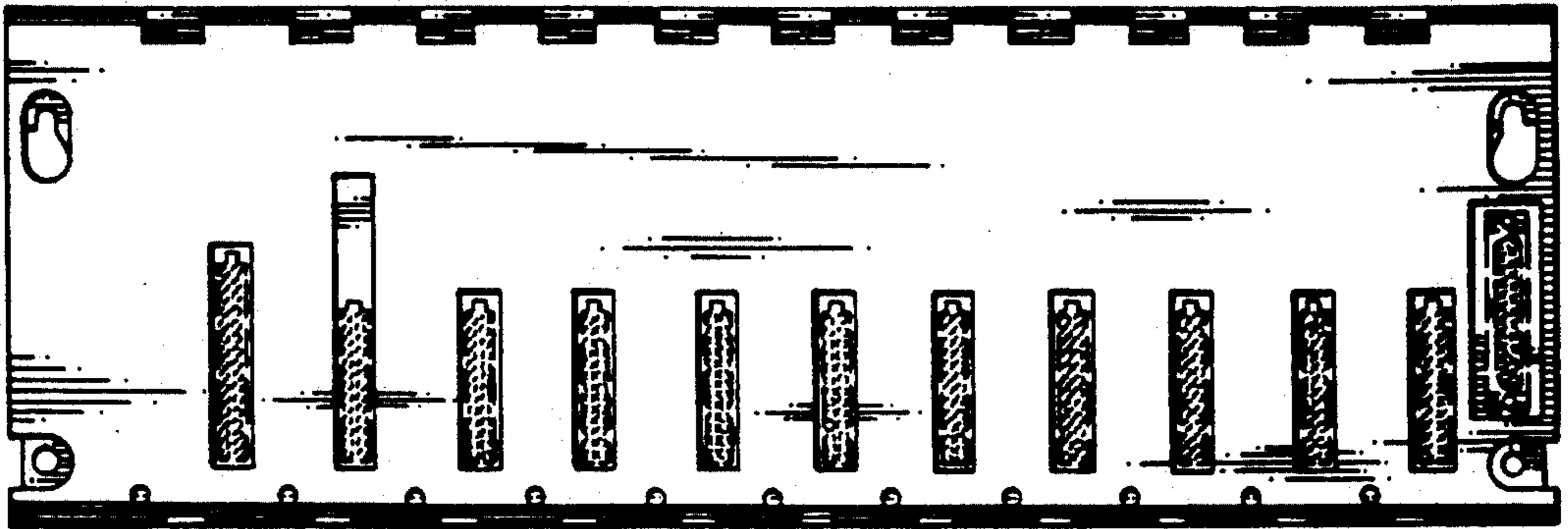


FIG. 1

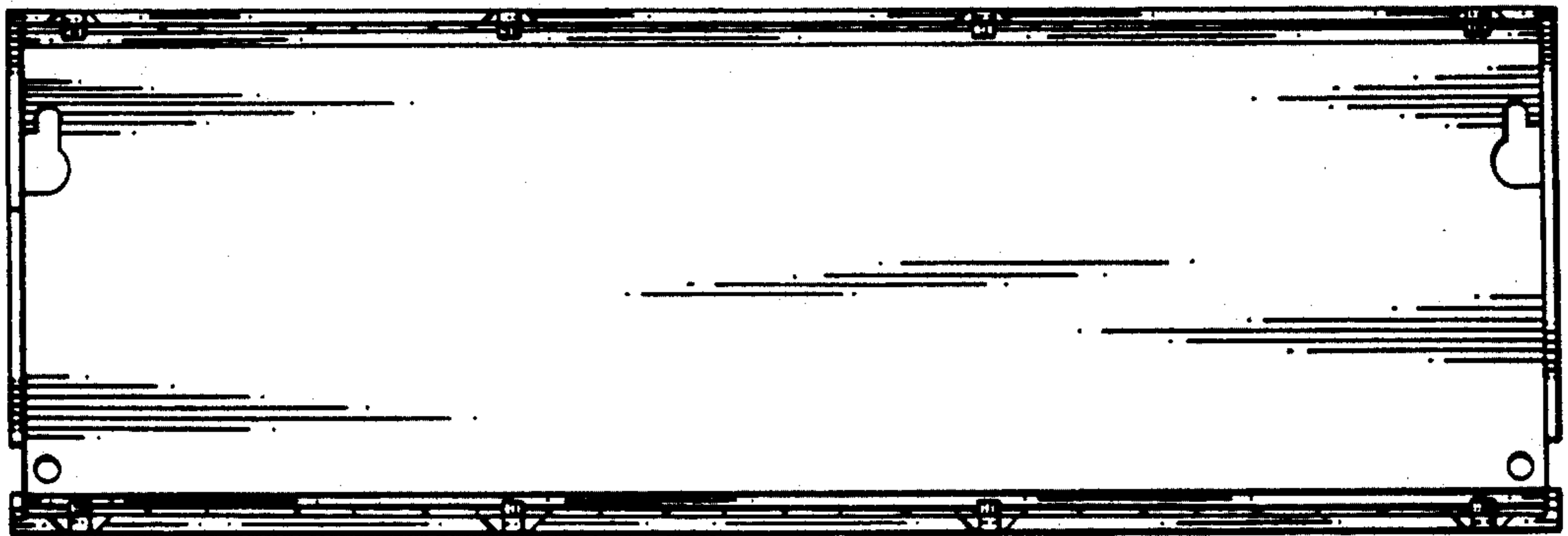


FIG. 2

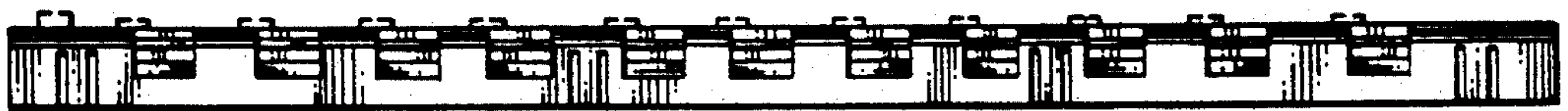


FIG. 3



FIG. 4



FIG. 5



FIG. 6

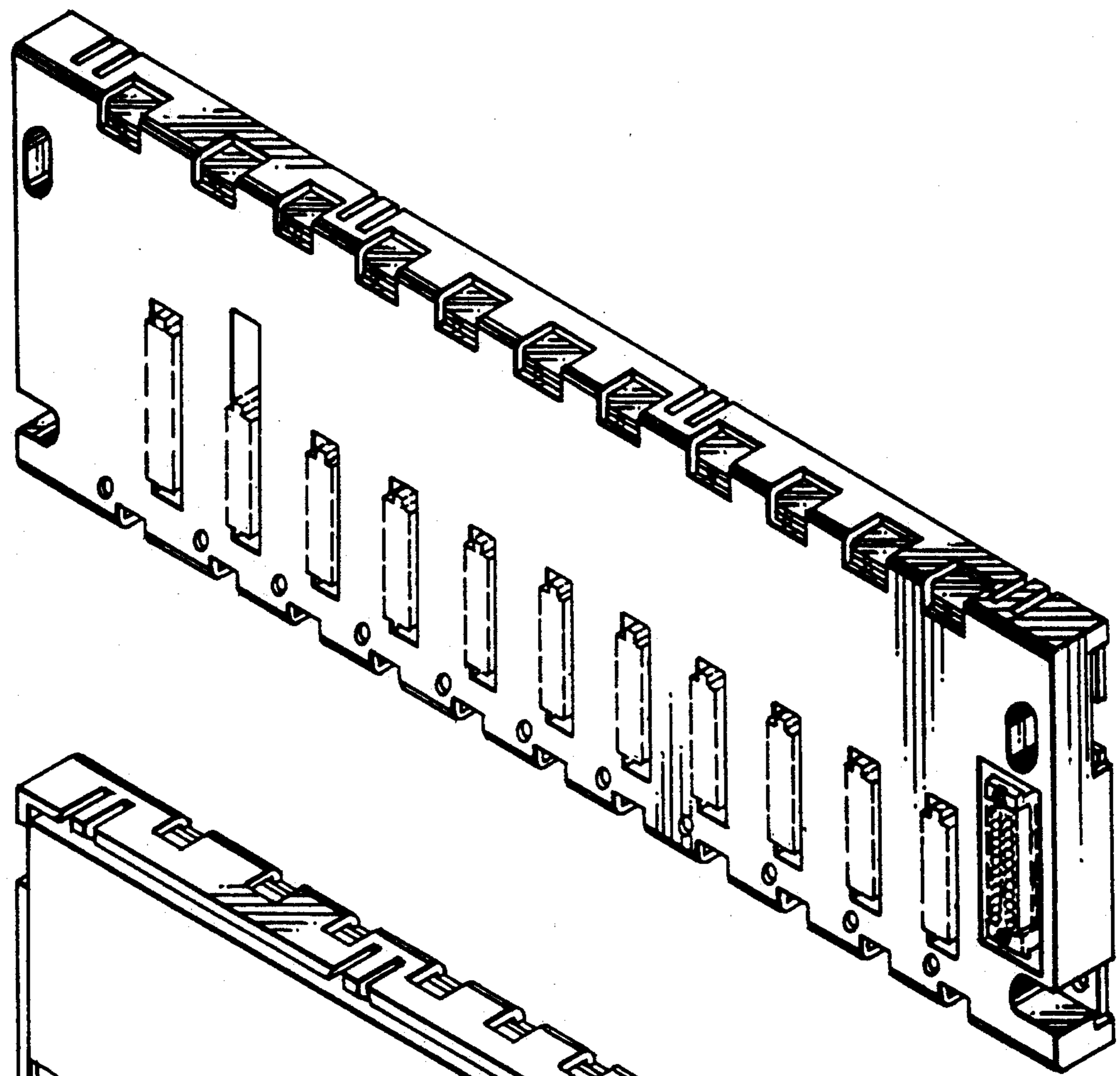


FIG. 7

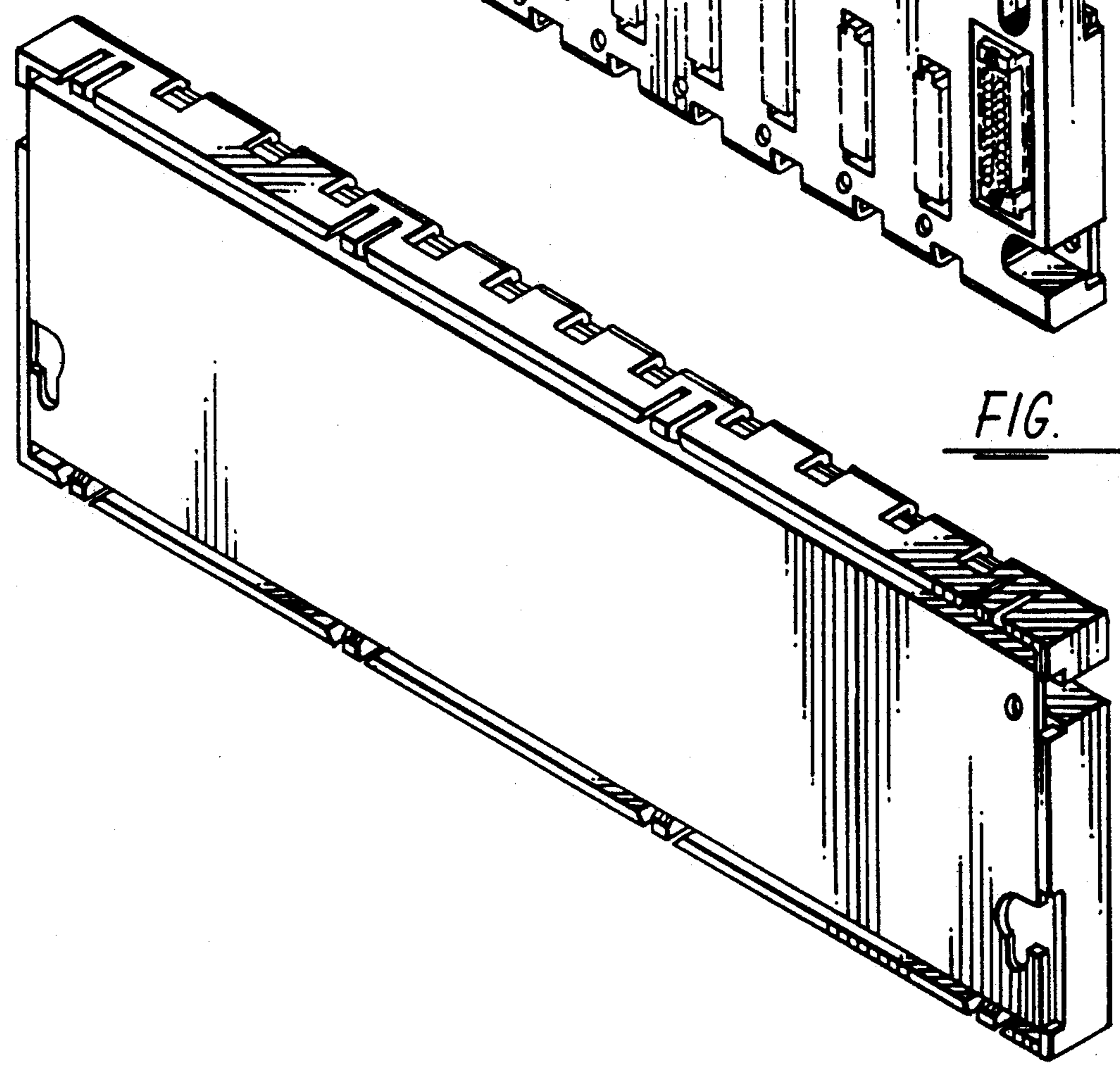


FIG. 8