



US00D339567S

# United States Patent [19]

[11] Patent Number: **Des. 339,567**

**Okamoto**

[45] Date of Patent: **\*\* Sep. 21, 1993**

[54] **ATTACHMENT PLUG**

0253578 10/1990 Japan ..... 439/103

[75] Inventor: **Isao Okamoto, Osaka, Japan**

*Primary Examiner*—Wallace R. Burke

[73] Assignee: **Nichido Kogyo Kabushiki Kaisha, Osaka, Japan**

*Assistant Examiner*—Joel Sincavage

*Attorney, Agent, or Firm*—Lowe, Price, LeBlanc & Becker

[\*\*] Term: **14 Years**

[57] **CLAIM**

[21] Appl. No.: **817,258**

The ornamental design for an attachment plug, as shown and described.

[22] Filed: **Jan. 6, 1992**

[52] U.S. Cl. .... **D13/143**

[58] Field of Search ..... **D13/137, 138, 140; 439/103, 106, 449, 600, 651, 652, 655, 692**

**DESCRIPTION**

[56] **References Cited**

**U.S. PATENT DOCUMENTS**

2,191,385	2/1940	Herman	439/600
3,495,205	2/1970	Ricci	439/103
3,531,757	9/1970	Alden	439/103
3,685,000	8/1972	Robbins	439/103
4,201,431	5/1980	McDonald	439/103
4,767,181	8/1988	McEowen	439/106 X
4,954,091	9/1990	Marble et al.	439/103

FIG. 1 is a front view of an attachment plug;  
 FIG. 2 is a rear view thereof;  
 FIG. 3 is a top plan view thereof;  
 FIG. 4 is a bottom plan view thereof;  
 FIG. 5 is a right side view thereof;  
 FIG. 6 is a left side view thereof;  
 FIG. 7 is a cross-sectional view taken along line 7—7 of FIG. 3 omitting internal structure;  
 FIG. 8 is a cross-sectional view taken along line 8—8 of FIG. 3 omitting internal structure;  
 FIG. 9 is a right side view thereof showing the earth terminal pin in the extended position; and,  
 FIG. 10 is a front and upper right perspective view thereof with the earth terminal pin in the extended position.

**FOREIGN PATENT DOCUMENTS**

1218034	6/1966	Fed. Rep. of Germany	439/449
0215066	8/1990	Japan	439/692

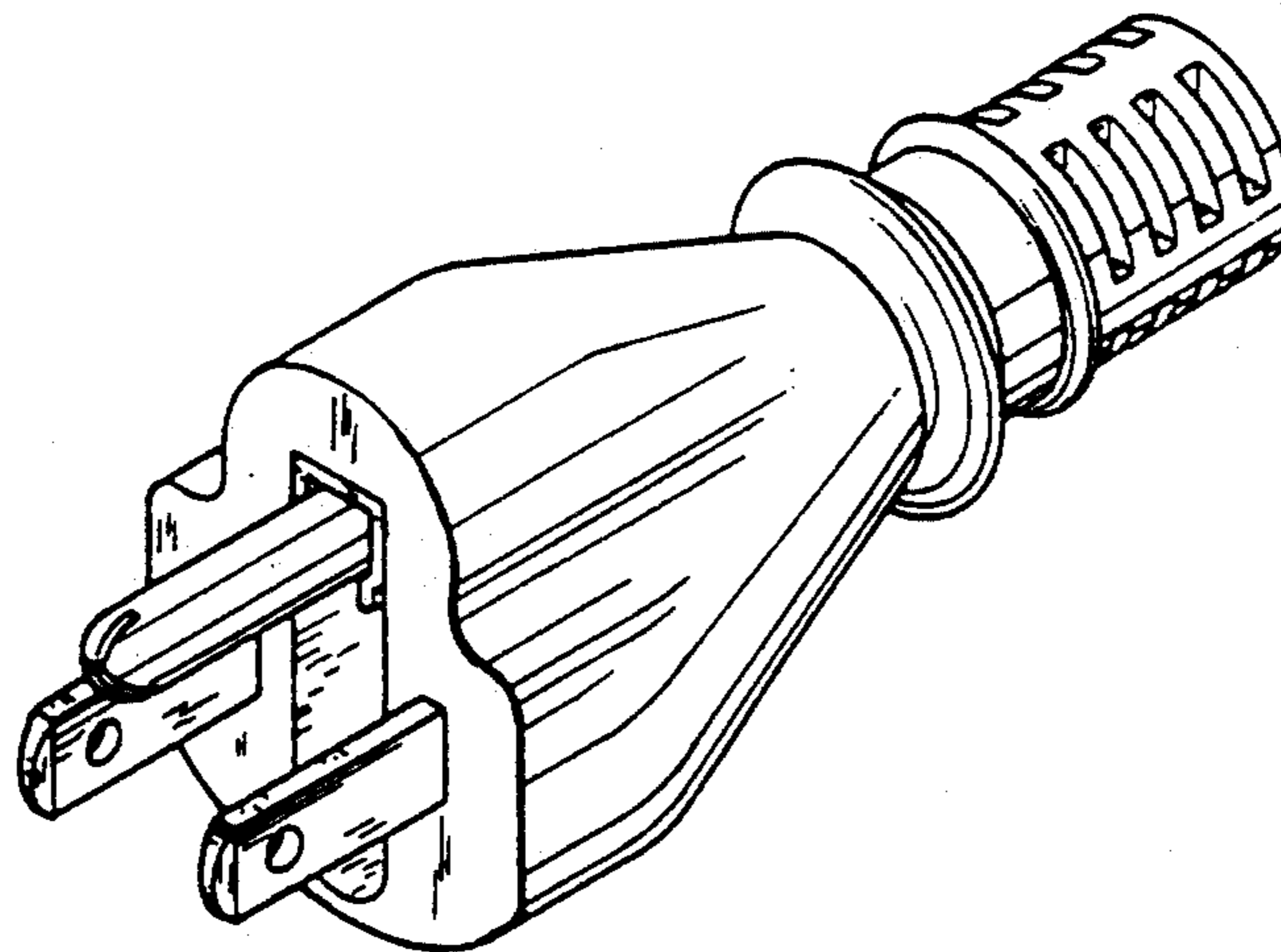


FIG. 1

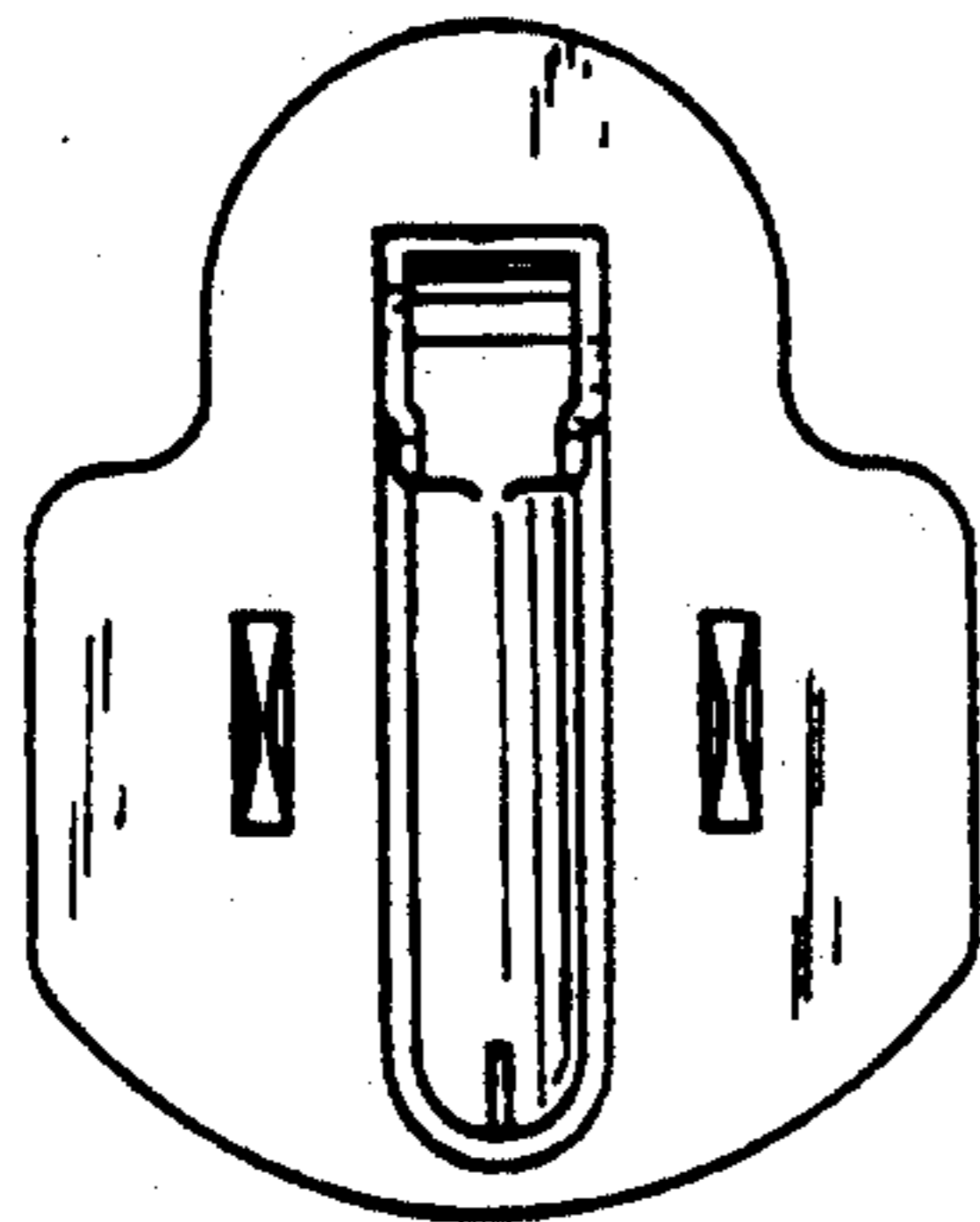


FIG. 2

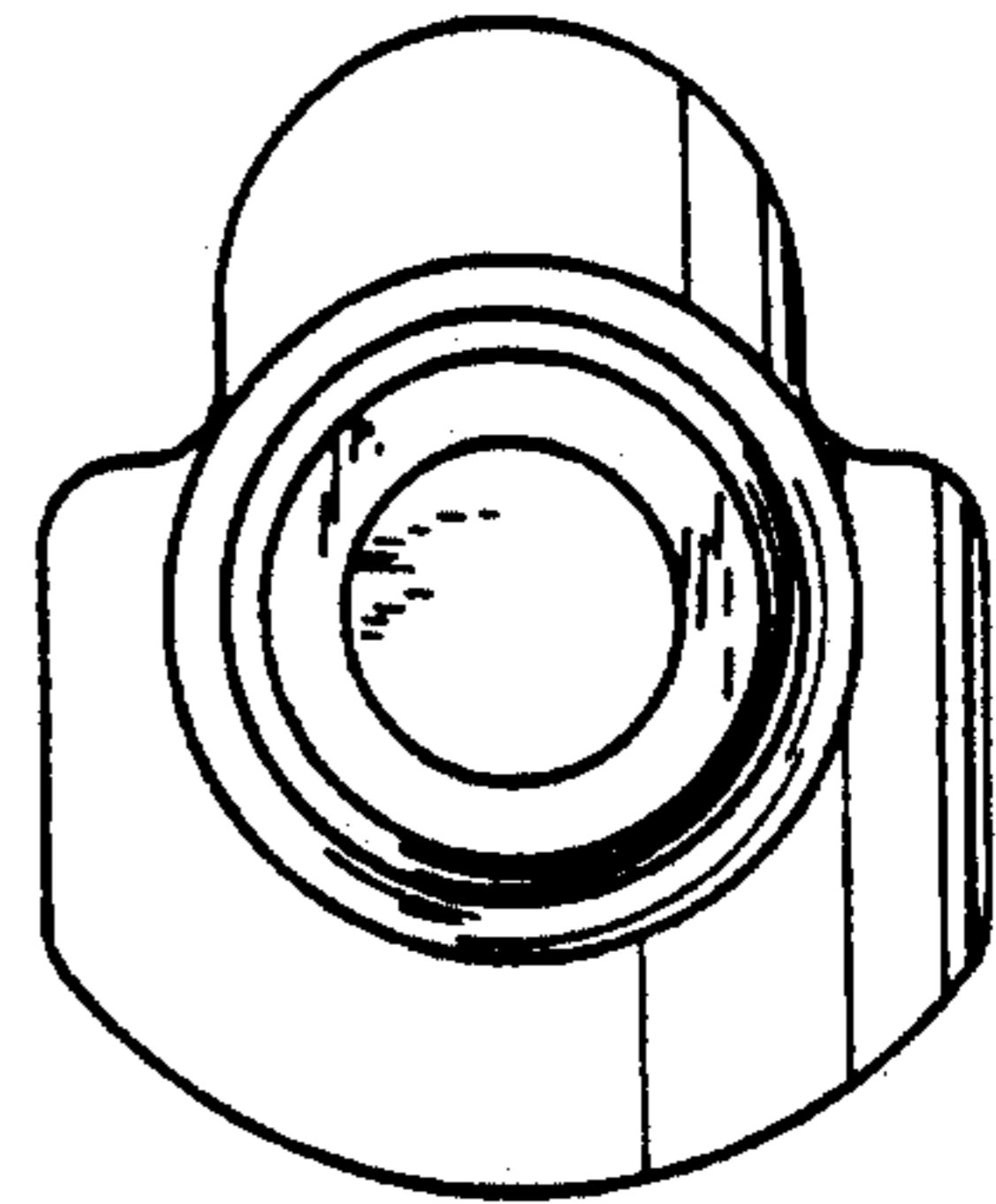


FIG. 3

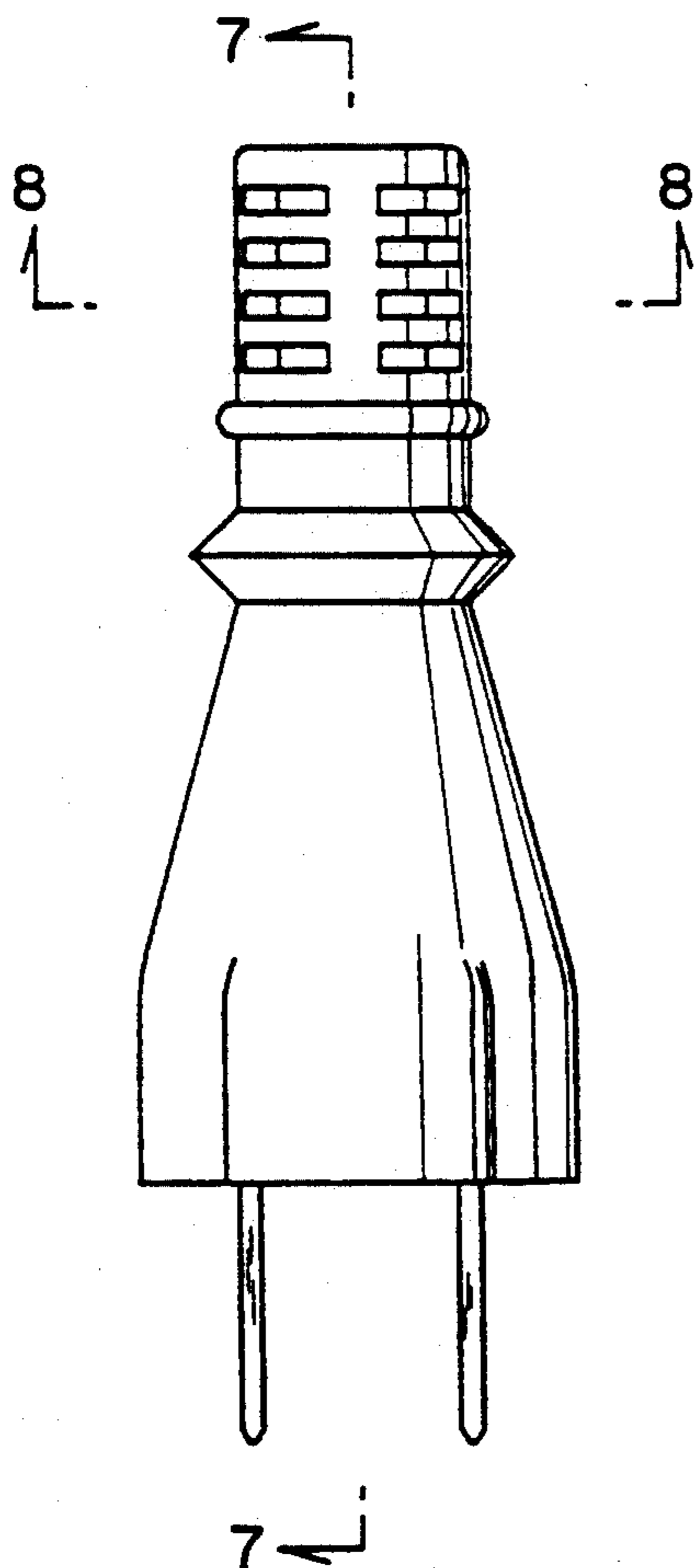


FIG. 4

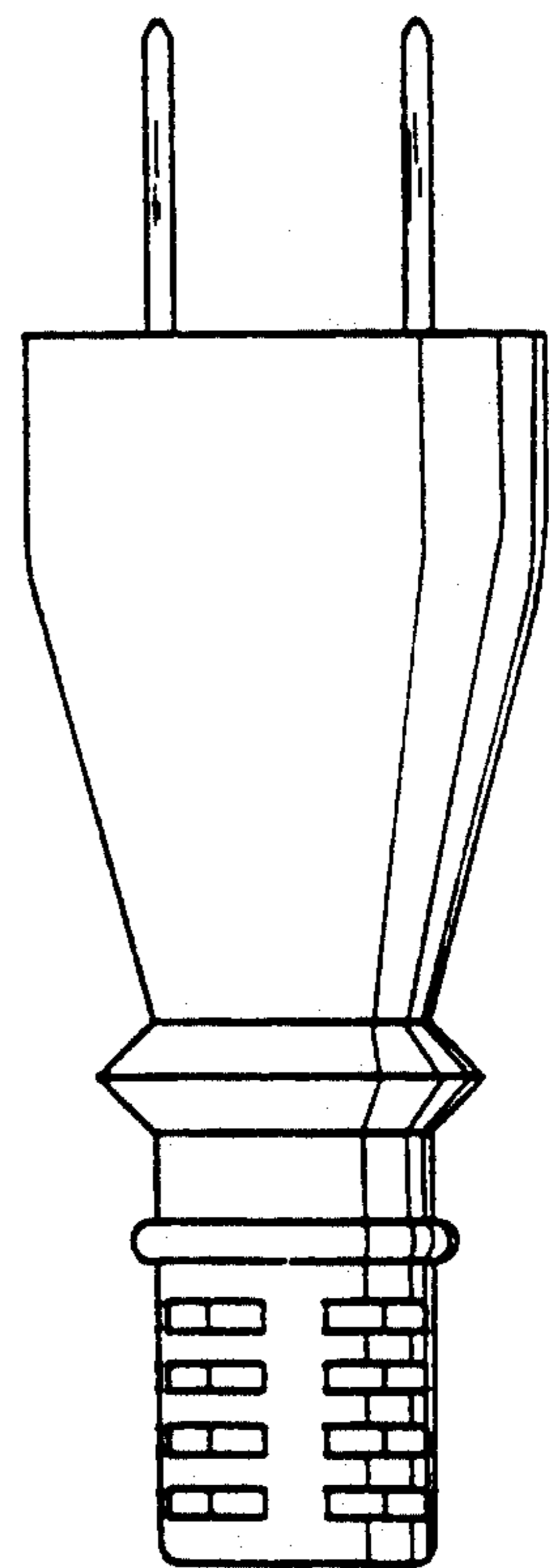


FIG. 5

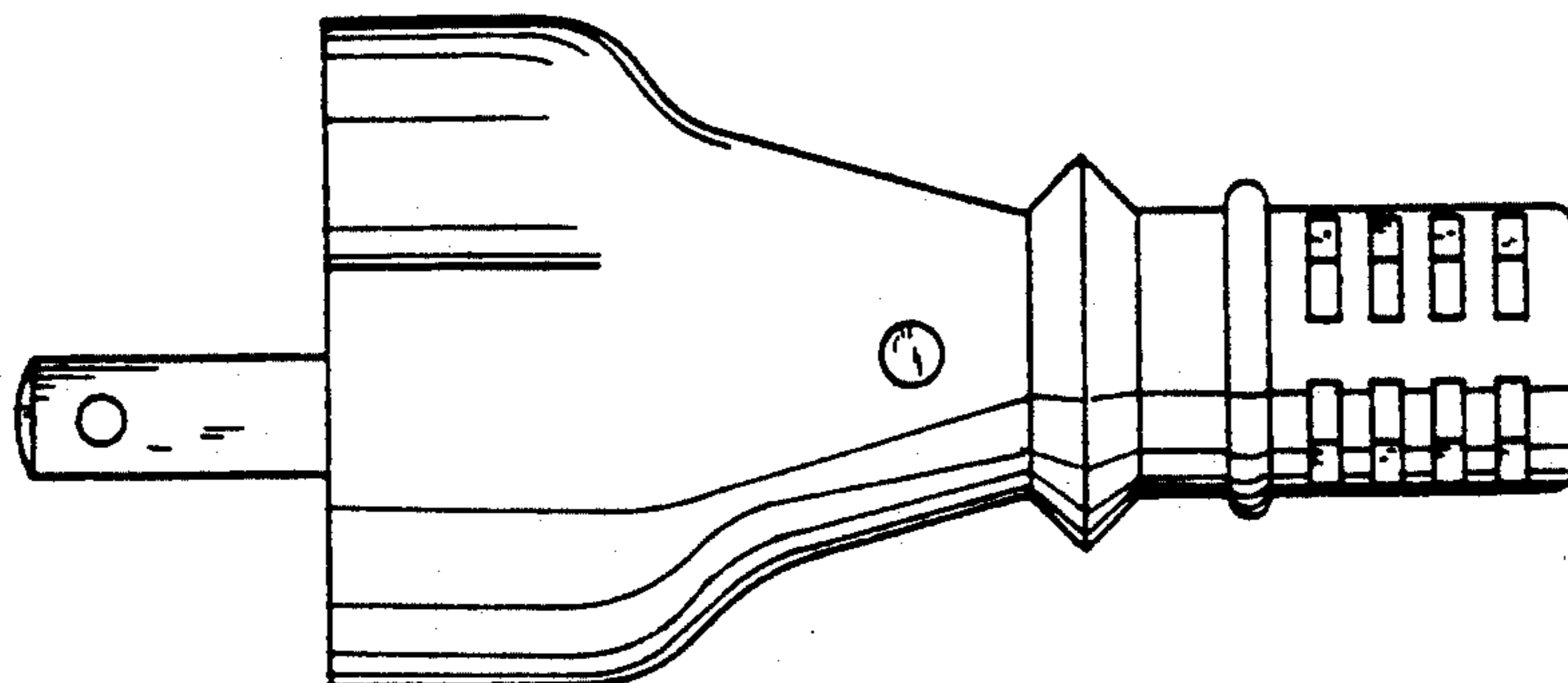


FIG. 6

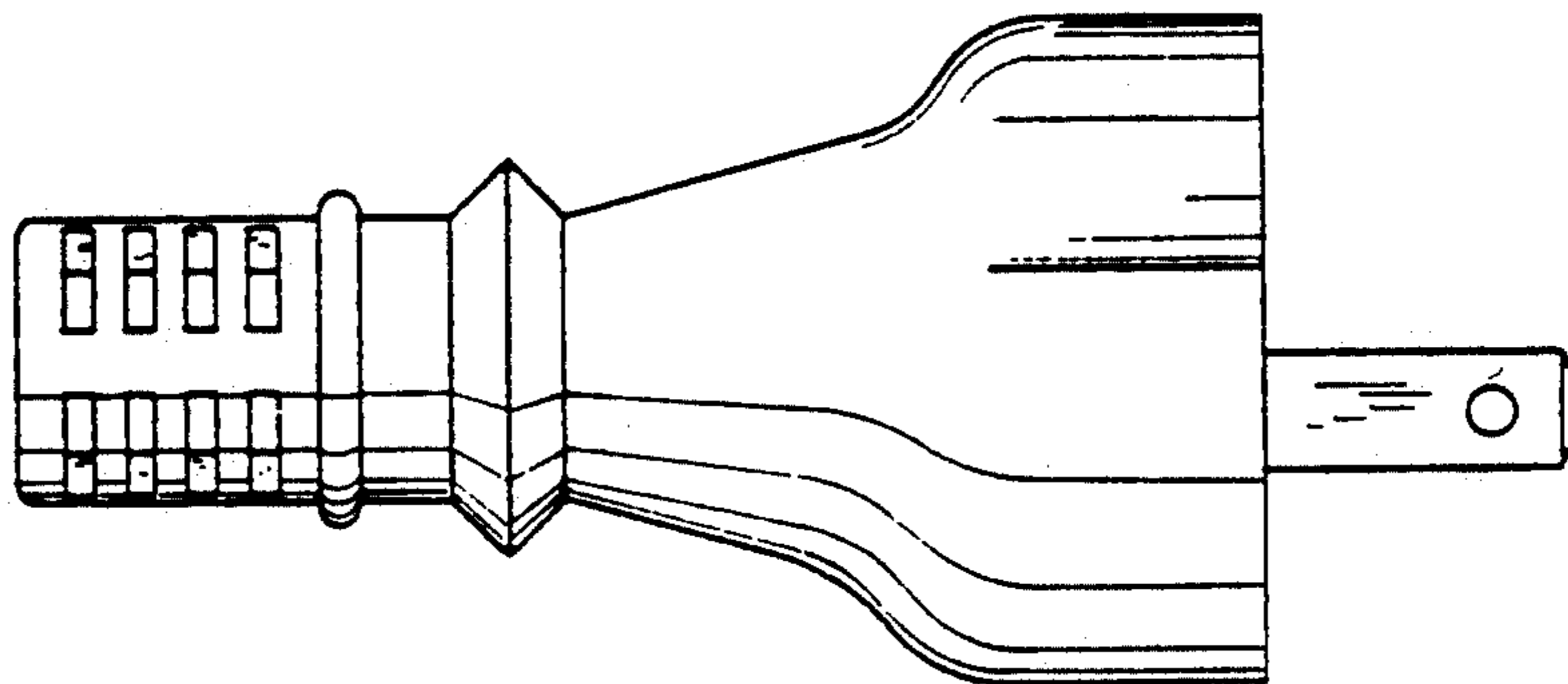


FIG. 10

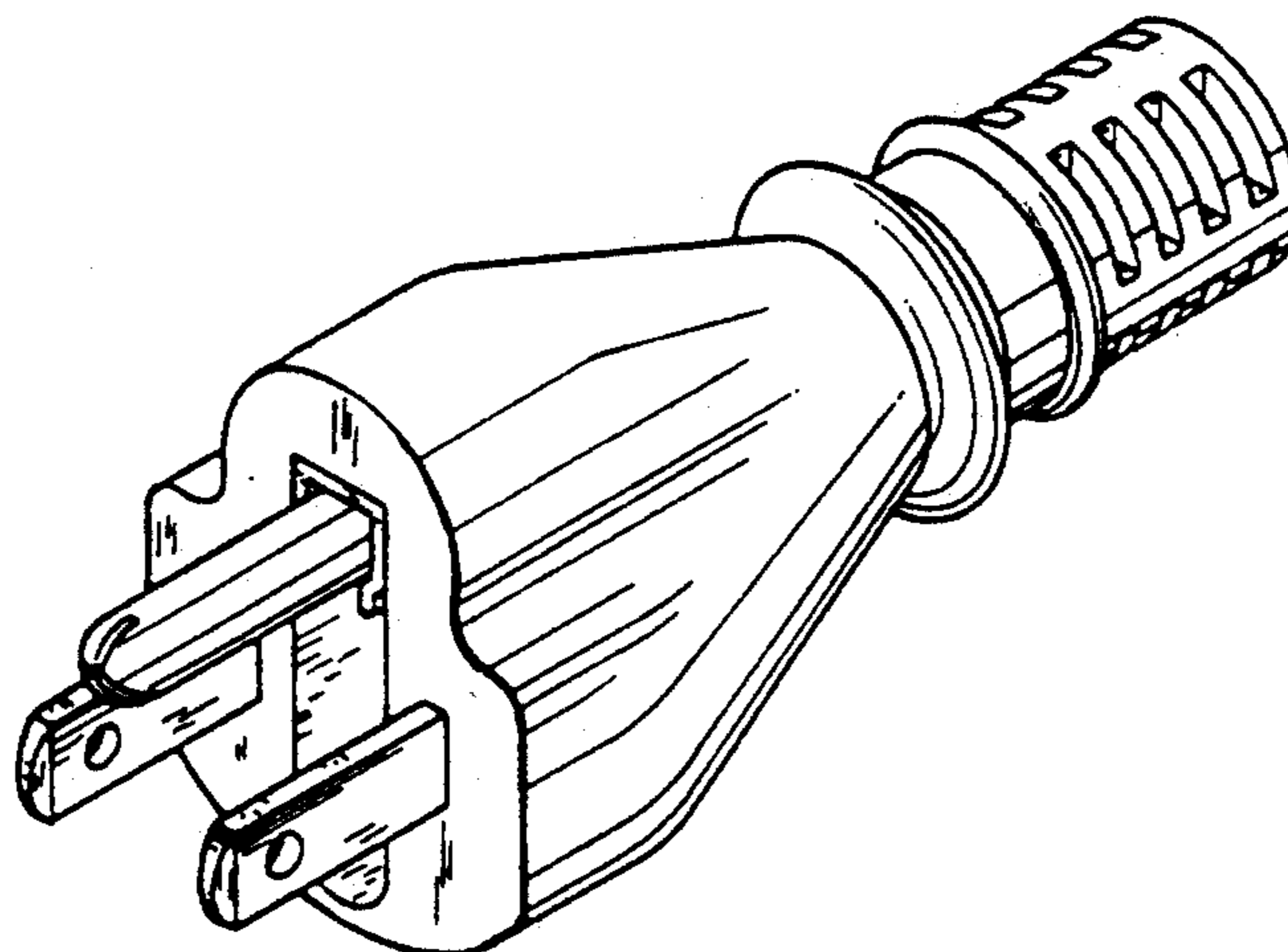


FIG. 7

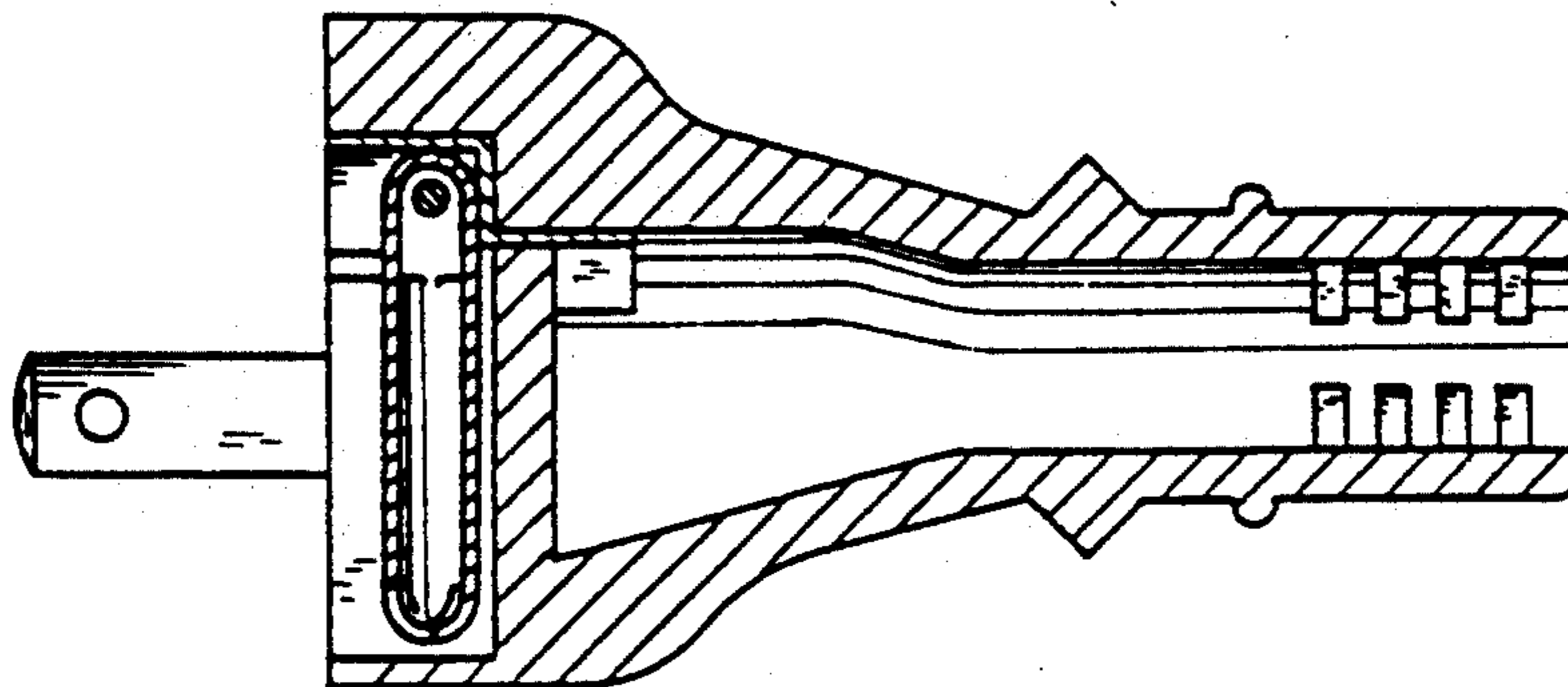


FIG. 8

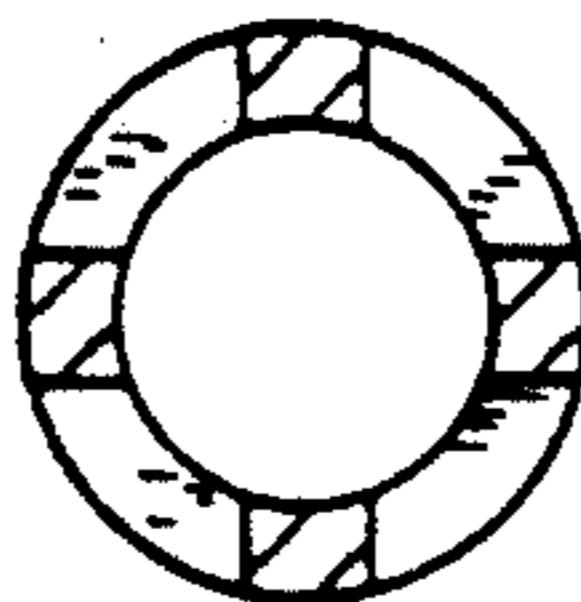
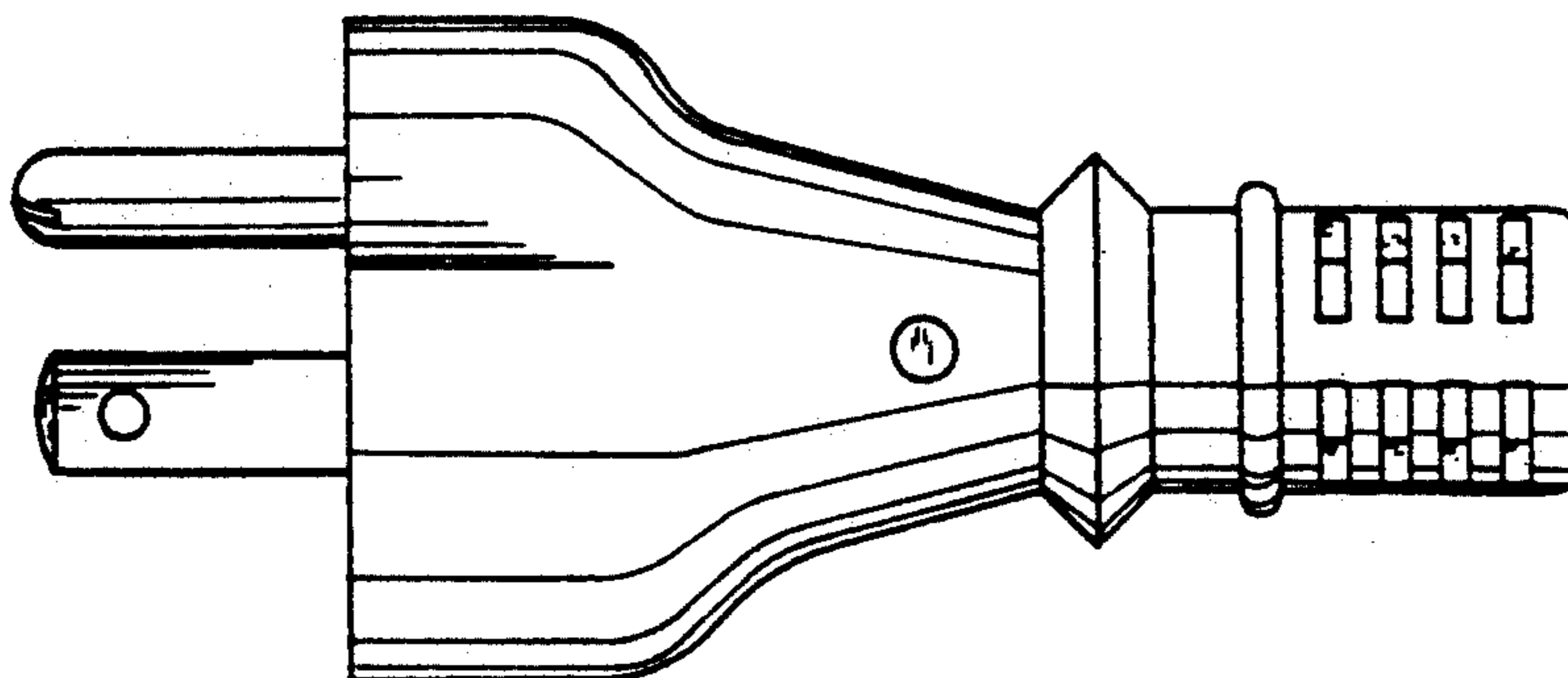


FIG. 9



UNITED STATES PATENT AND TRADEMARK OFFICE  
**CERTIFICATE OF CORRECTION**

PATENT NO. : Des. 339,567  
DATED : September 21, 1993  
INVENTOR(S) : Isao OKAMOTO

It is certified that error appears in the above-identified patent and that said Letters Patent is hereby corrected as shown below:

On the title page, please add the following item after item [22]:

--[30] **Foreign Application Priority Data**

Jul. 29, 1991 [JP] Japan..... 3-22783--

Signed and Sealed this  
Twelfth Day of July, 1994



BRUCE LEHMAN

Commissioner of Patents and Trademarks

Attest:

Attesting Officer