



US00D339566S

United States Patent [19]

[11] Patent Number: **Des. 339,566**

Okamoto

[45] Date of Patent: **** Sep. 21, 1993**

[54] ATTACHMENT PLUG

0215066 8/1990 Japan 439/692
0253578 10/1990 Japan 439/103

[75] Inventor: **Isao Okamoto, Osaka, Japan**

[73] Assignee: **Nichido Kogyo Kabushiki Kaisha, Osaka, Japan**

[**] Term: **14 Years**

Primary Examiner—Wallace R. Burke
Assistant Examiner—Joel Sincavage
Attorney, Agent, or Firm—Lowe, Price, LeBlanc & Becker

[21] Appl. No.: **796,129**

[57] **CLAIM**

[22] Filed: **Nov. 21, 1991**

The ornamental design for an attachment plug, as shown and described.

[52] U.S. Cl. **D13/138**

[58] Field of Search **D13/137, 138, 140; 439/103, 106, 449, 600, 651, 652, 655, 692**

DESCRIPTION

[56] **References Cited**

U.S. PATENT DOCUMENTS

2,191,385	2/1940	Herman	439/600
3,495,205	2/1970	Ricci	439/103
3,531,757	9/1970	Alden	439/103
3,685,000	8/1972	Robbins	439/103
4,201,431	5/1980	McDonald	439/103
4,767,181	8/1988	McEowen	439/106 X
4,954,091	9/1990	Marble et al.	439/103

FIG. 1 is a front view of an attachment plug;
FIG. 2 is a rear view thereof;
FIG. 3 is a top plan view thereof;
FIG. 4 is a bottom plan view thereof;
FIG. 5 is a right side view thereof, the left side view thereof being a mirror image;
FIG. 6 is a cross-sectional view taken along line 6—6 of FIG. 3 omitting internal structure;
FIG. 7 is a cross-sectional view taken along line 7—7 of FIG. 3 omitting internal structure;
FIG. 8 is a right side view thereof showing the earth terminal pin in the extended position; and,
FIG. 9 is a front and upper right perspective view thereof with the earth terminal in the extended position.

FOREIGN PATENT DOCUMENTS

1218034	6/1966	Fed. Rep. of Germany	439/449
---------	--------	----------------------	---------

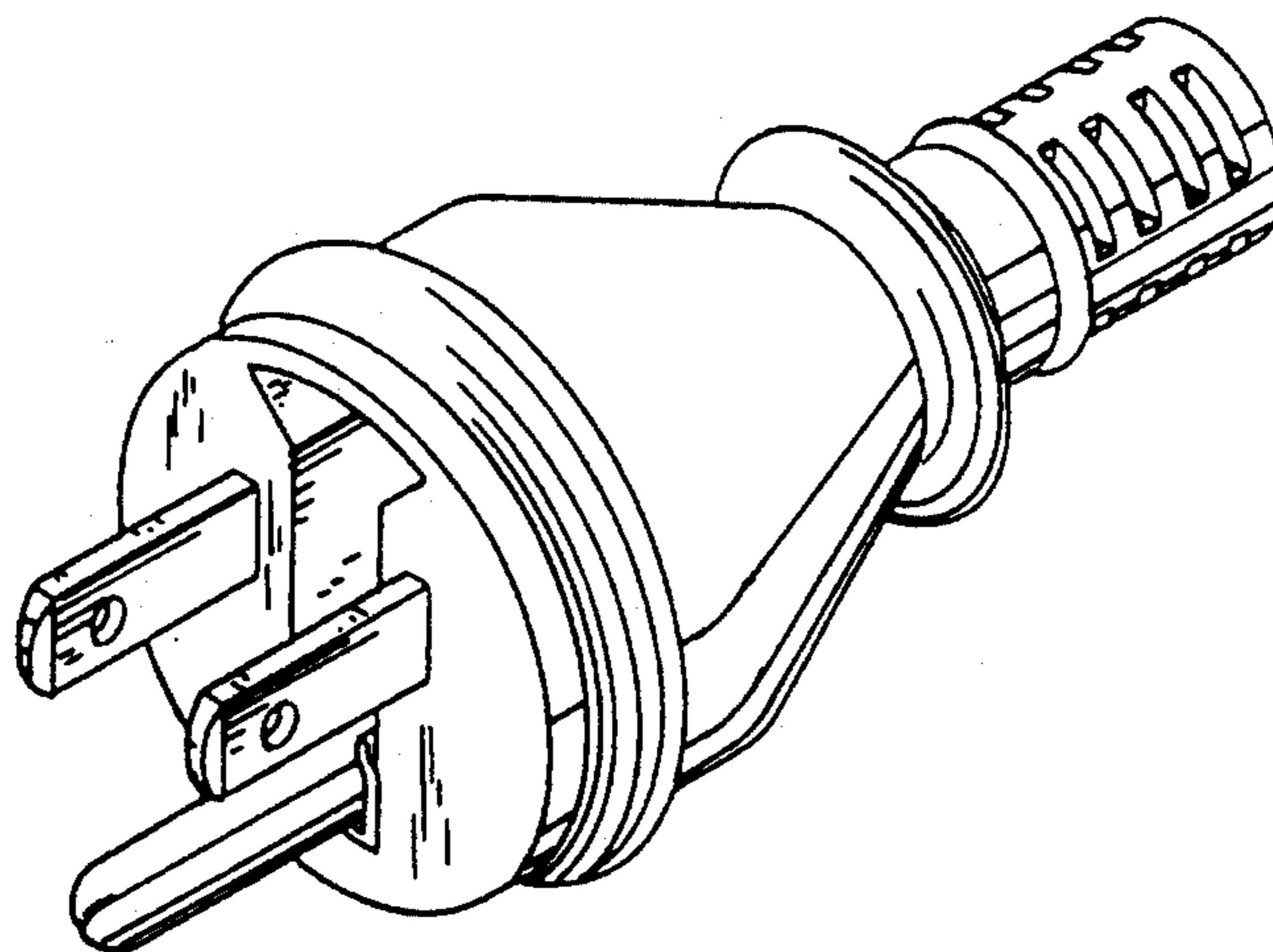


FIG. 1

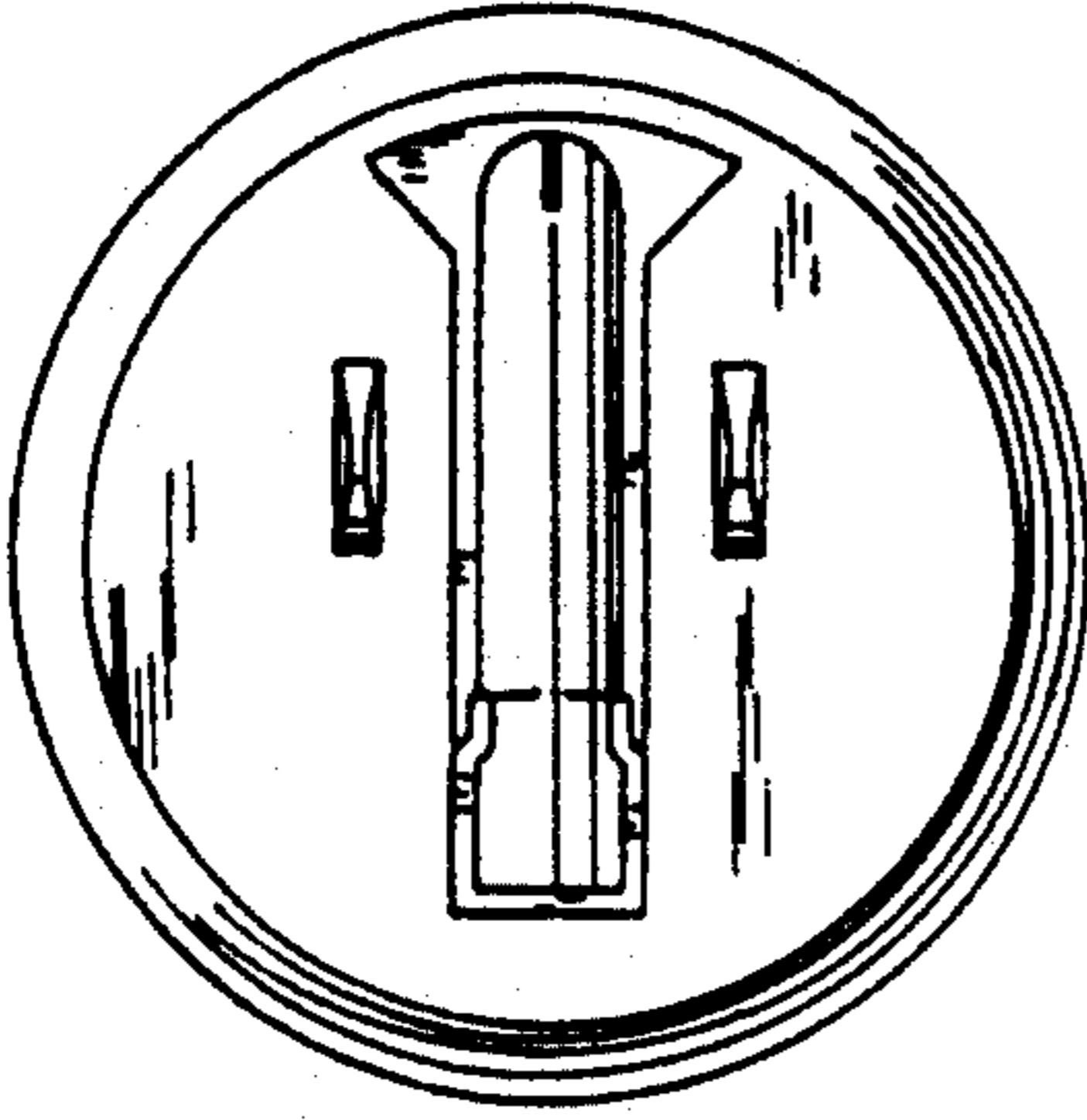


FIG. 2

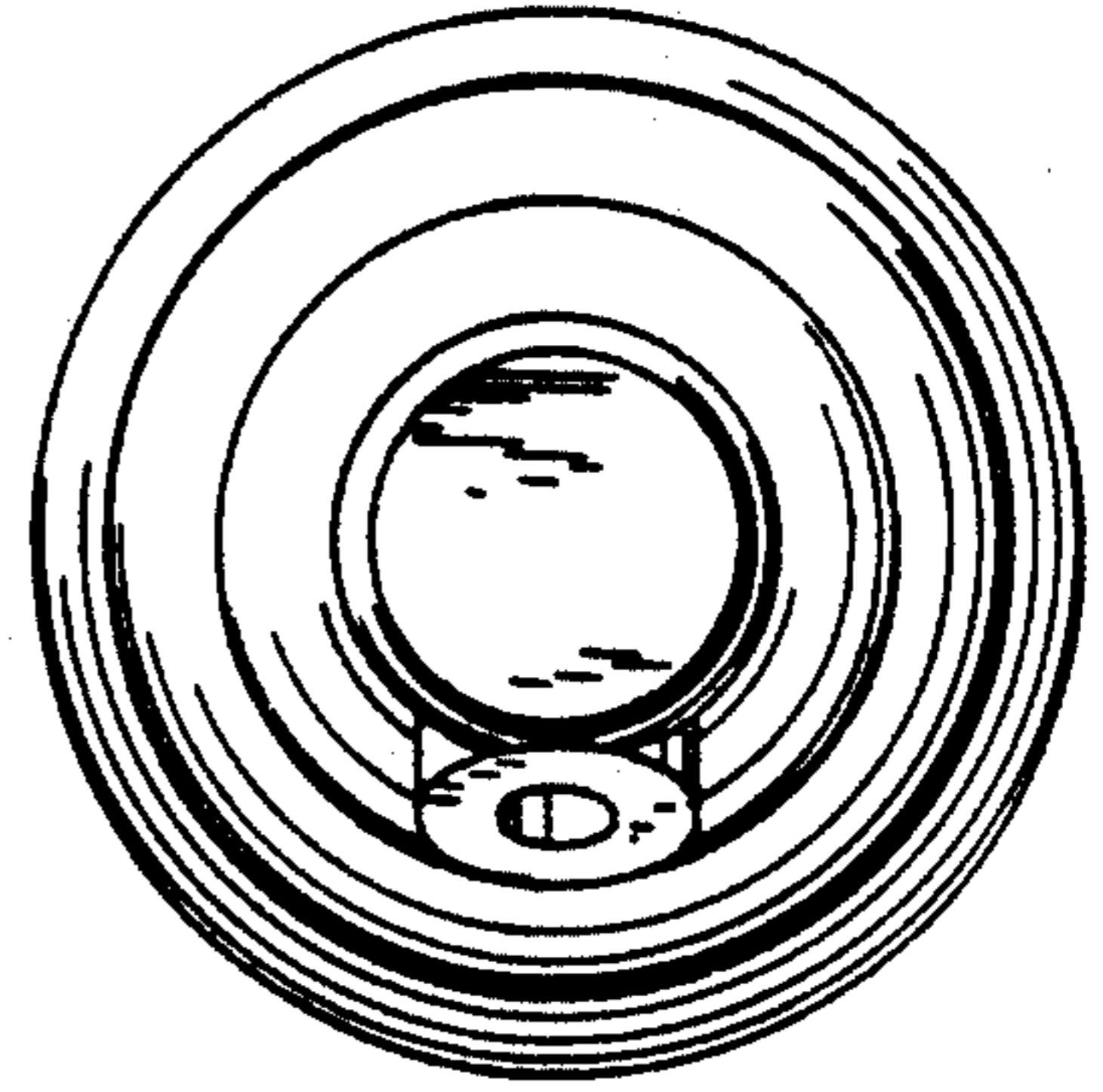


FIG. 3

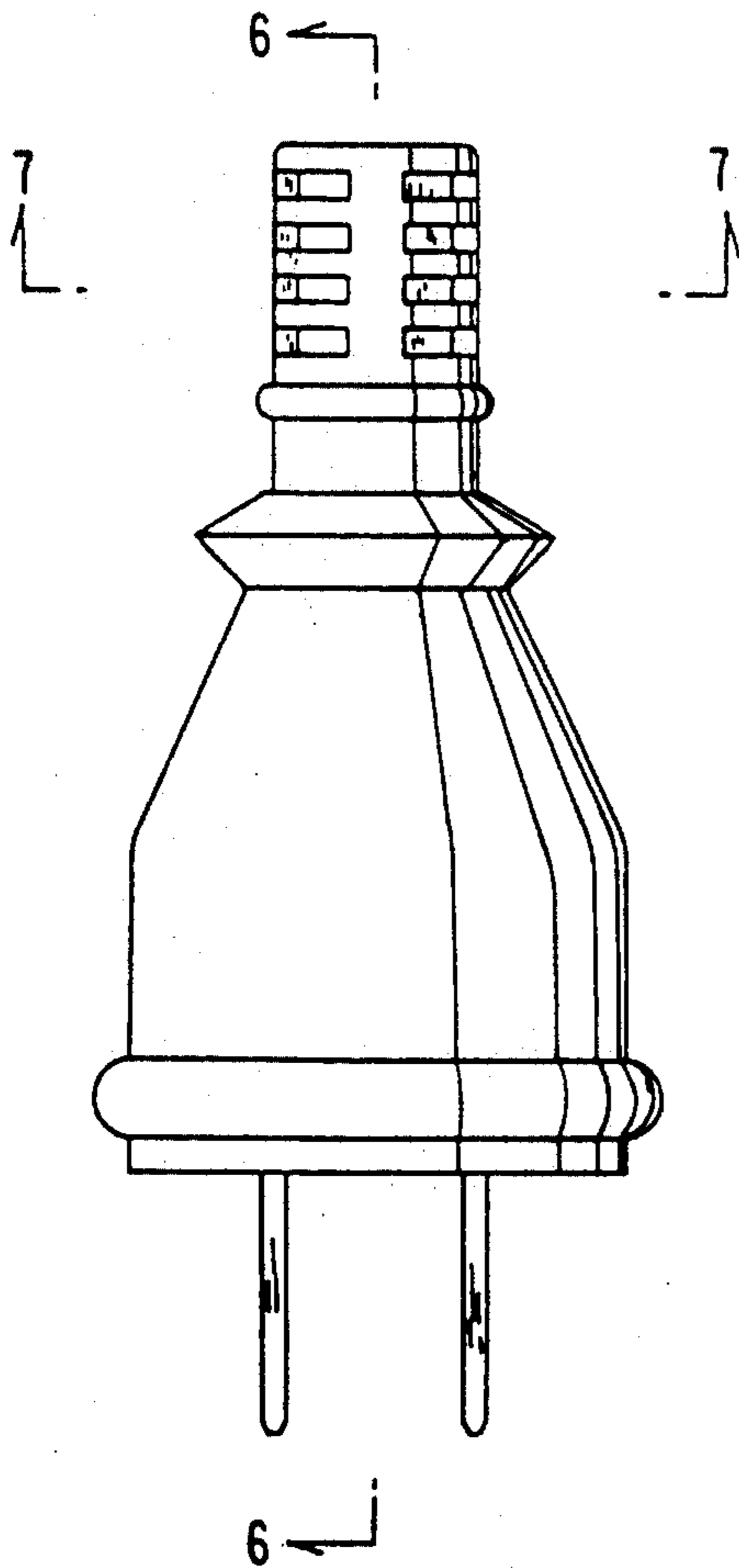


FIG. 4

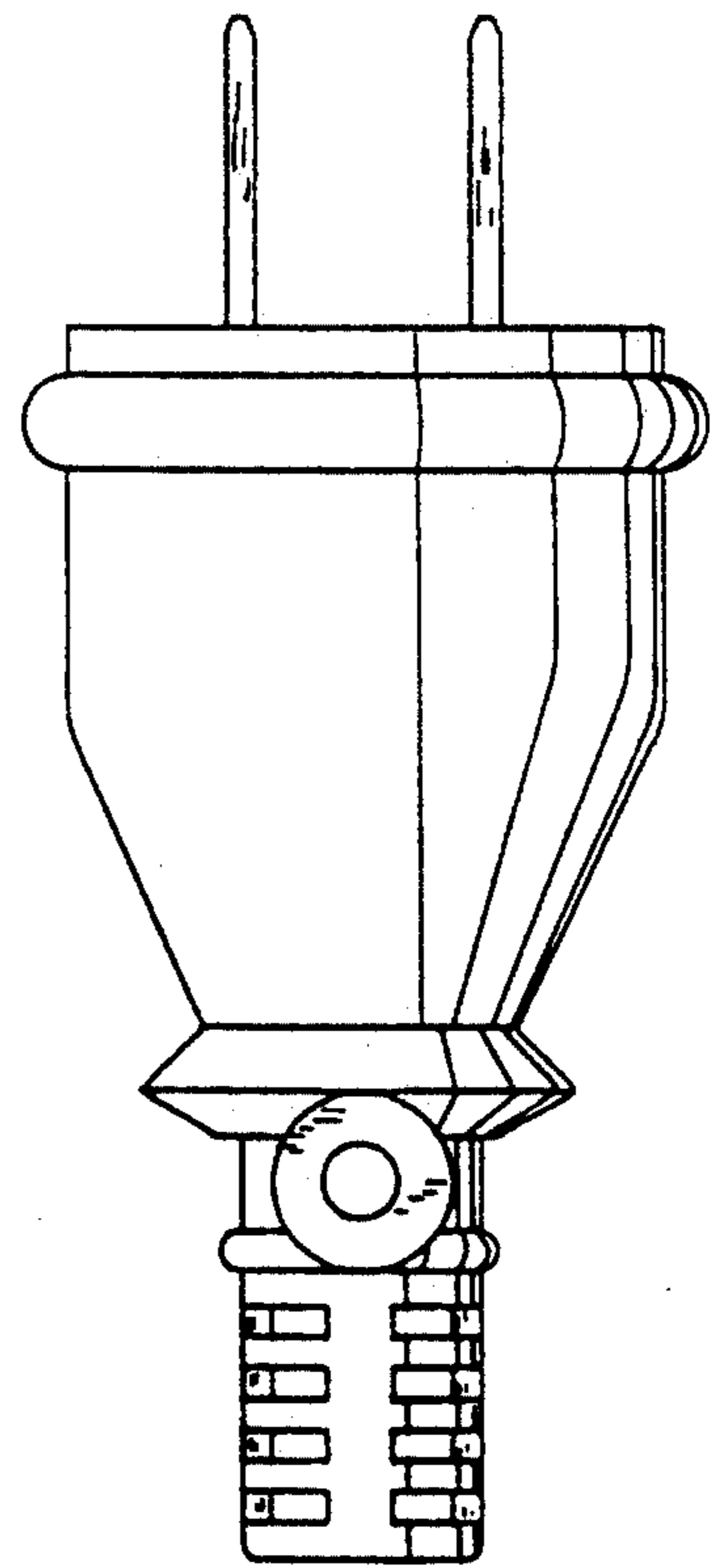


FIG. 5

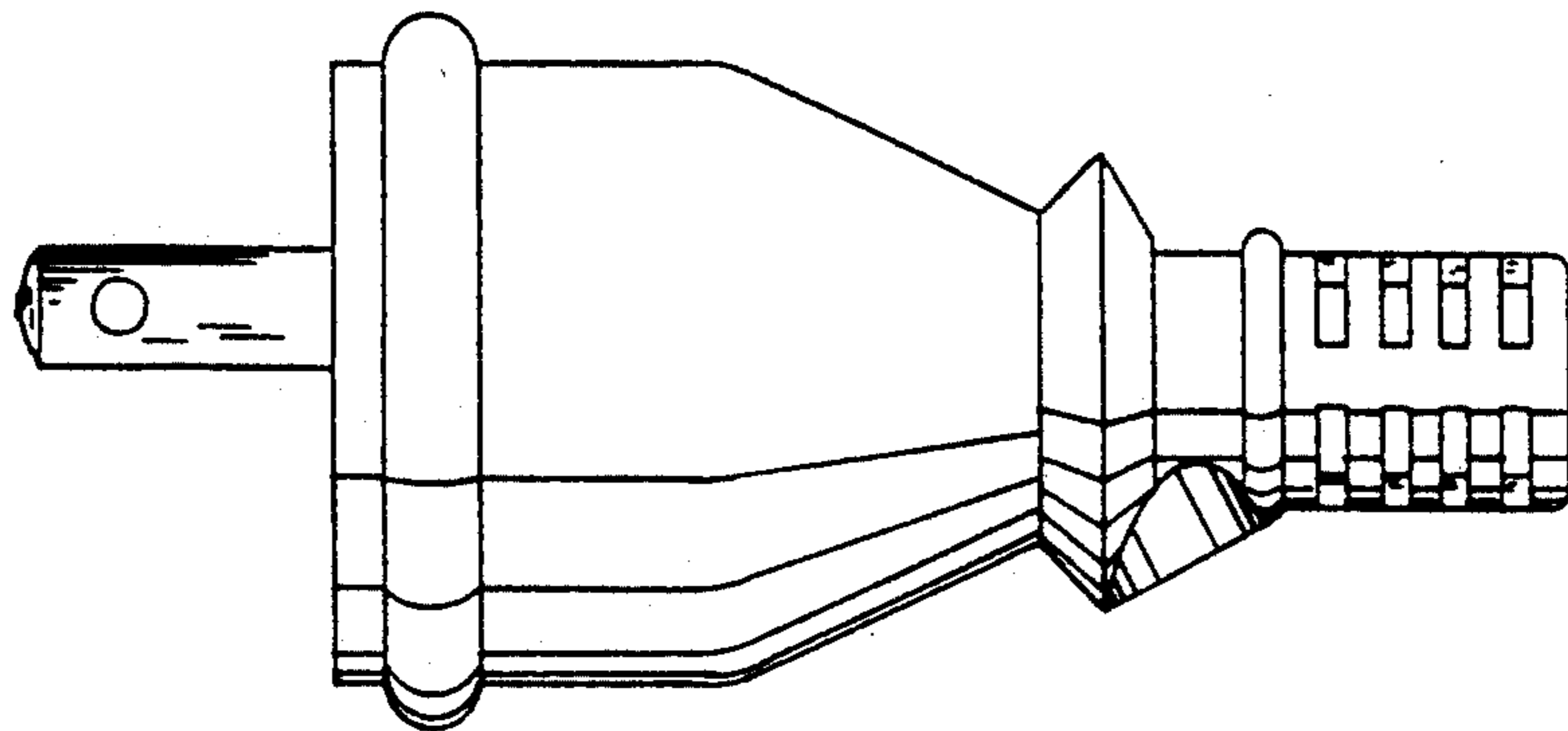


FIG. 6

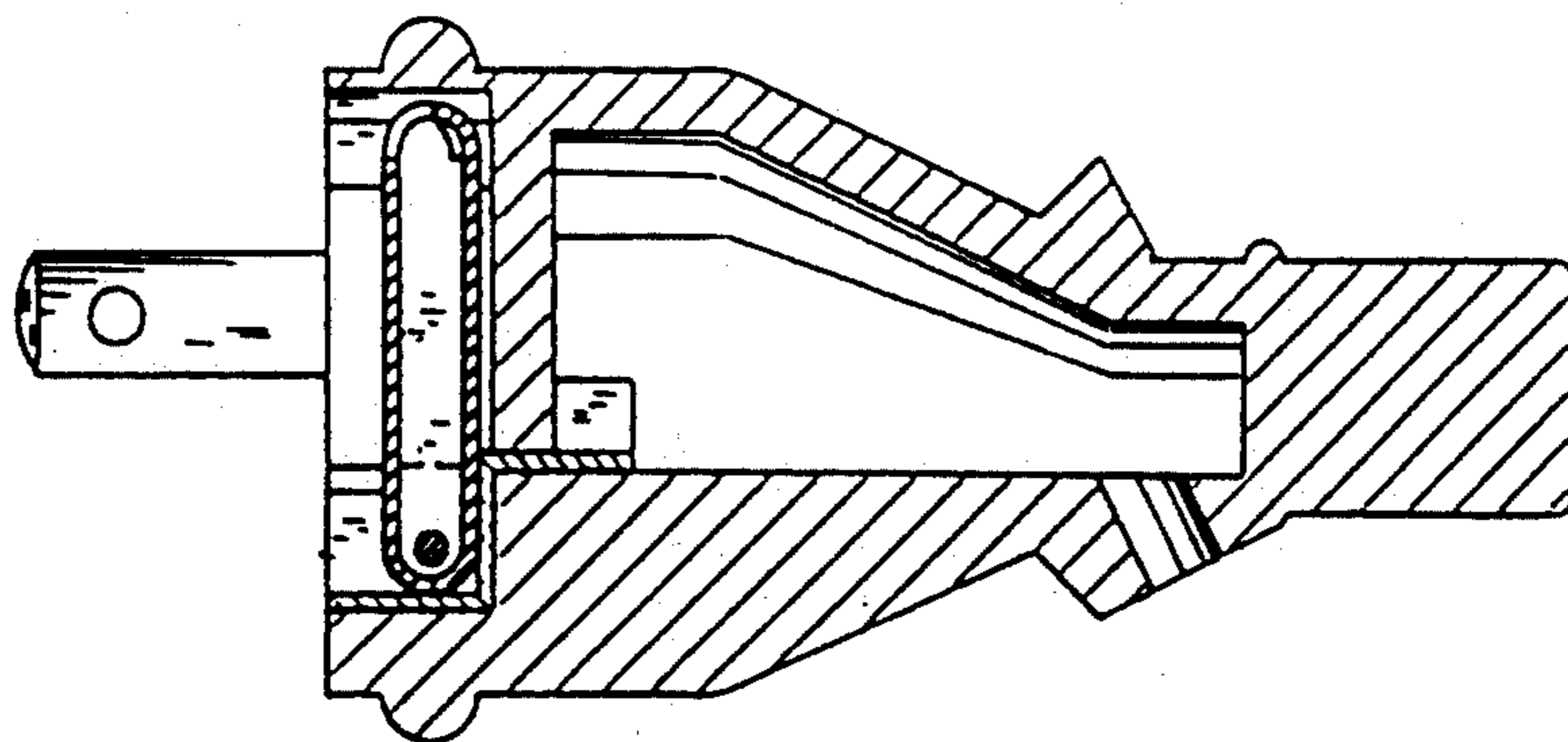


FIG. 7

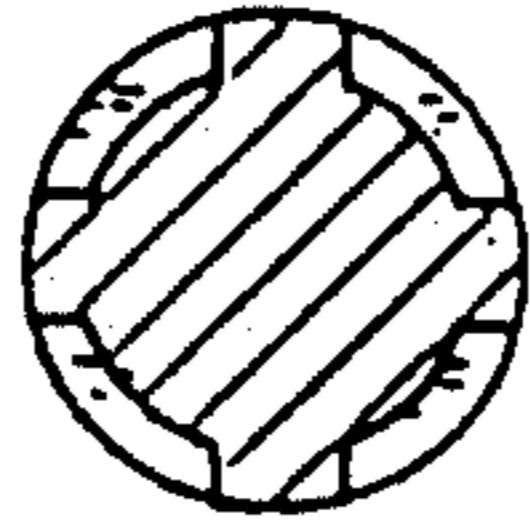


FIG. 8

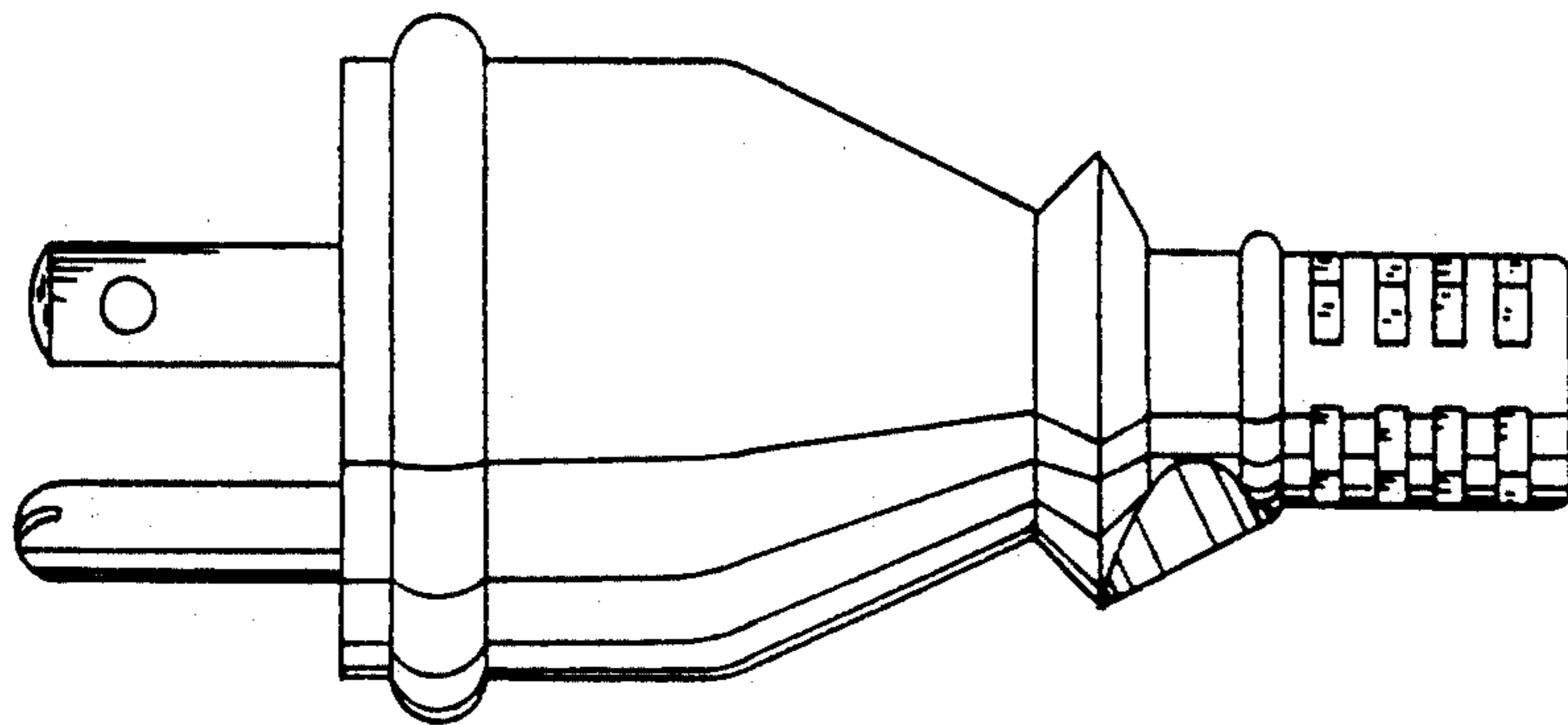


FIG. 9

