



US00D339565S

United States Patent [19]

[11] Patent Number: Des. 339,565

Cohen et al.

[45] Date of Patent: ** Sep. 21, 1993

[54] RECESSED LIGHTING POWER SYSTEM MODULE

[75] Inventors: **Howard G. Cohen**, North Miami Beach, Fla.; **Ludwig Gabrecht**, Wickede; **Helmuth Unger**, Menden-Halingen, both of Fed. Rep. of Germany

[73] Assignees: **Wila Leuchten GmbH**, Iserlohn, Fed. Rep. of Germany; **Poulsen Lighting, Inc.**, Miami, Fla.; a part interest

[**] Term: 14 Years

[21] Appl. No.: 714,732

[22] Filed: Jun. 13, 1991

[52] U.S. Cl. D13/110

[58] Field of Search D13/110, 123, 124; 362/147; 361/363, 383; 174/48

[56] References Cited

U.S. PATENT DOCUMENTS

4,044,515	8/1977	Hollingshead et al.	361/383 X
4,336,575	6/1982	Gilman	362/147
4,408,262	10/1983	Kusmer	362/147
4,829,410	5/1989	Patel	362/147
4,899,253	2/1990	Buxton	361/363 X

FOREIGN PATENT DOCUMENTS

3129689	2/1983	Fed. Rep. of Germany .
3826676	2/1989	Fed. Rep. of Germany .

OTHER PUBLICATIONS

WAGO Publication Aug. 1987.

WILA Catalog Sep. 1989.

Primary Examiner—Wallace R. Burke

Assistant Examiner—Joel Sincavage

Attorney, Agent, or Firm—Jacobson, Price, Holman & Stern

[57] CLAIM

The ornamental design for a recessed lighting power system module, as shown and described.

DESCRIPTION

FIG. 1 is a perspective view of a recessed lighting power system module, showing our new design, with dotted lines showing the environment of use for illustrative purposes only;

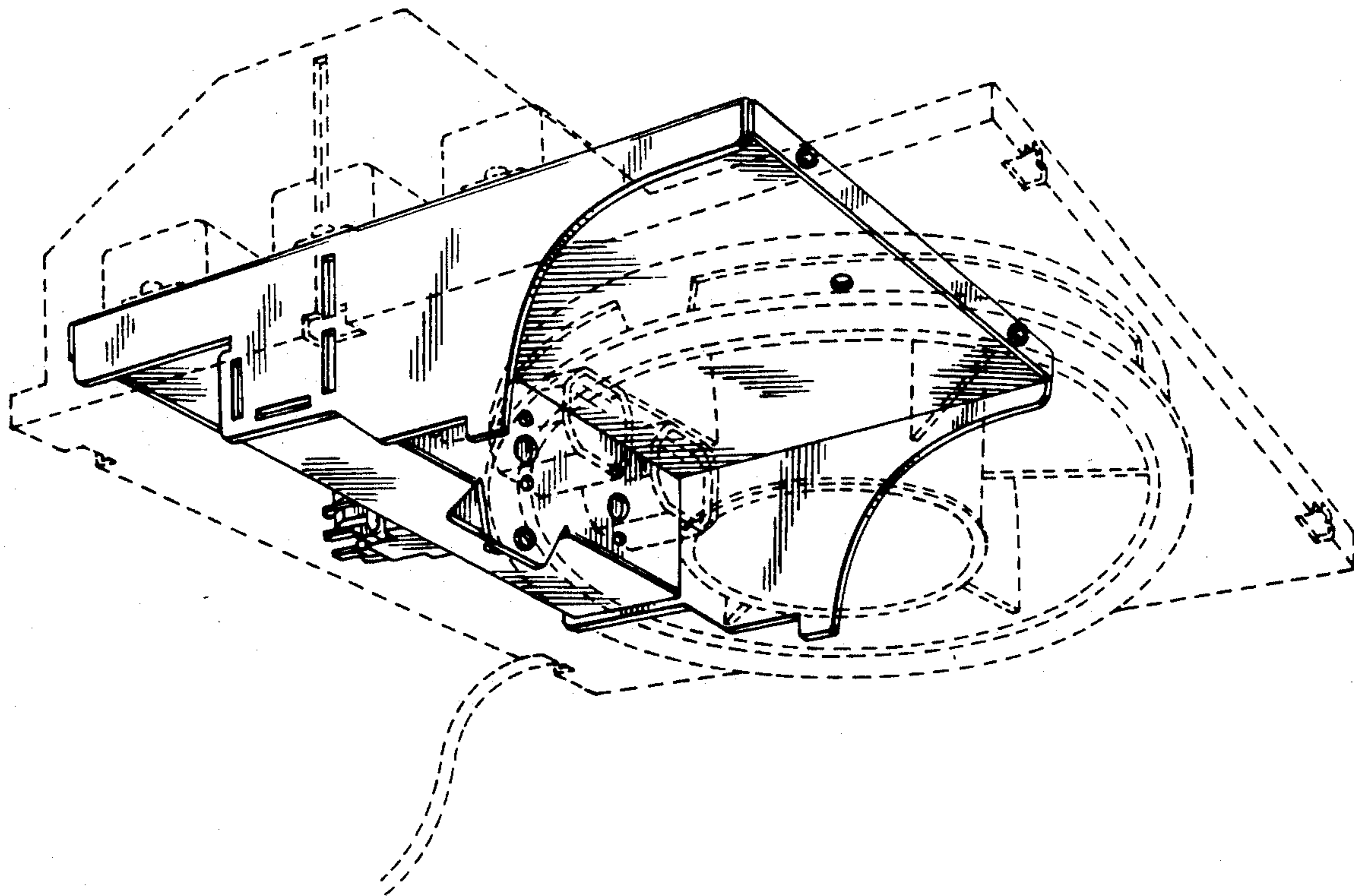
FIG. 2 is a left side view thereof, with dotted lines showing the environment of use for illustrative purposes only;

FIG. 3 is a front view thereof, with dotted lines showing the environment of use for illustrative purposes only;

FIG. 4 is a rear view thereof, with dotted lines showing the environment of use for illustrative purposes only;

FIG. 5 is a top view thereof, with dotted lines showing the environment of use for illustrative purposes only; and,

FIG. 6 is a bottom view thereof, with dotted lines showing the environment of use for illustrative purposes only.



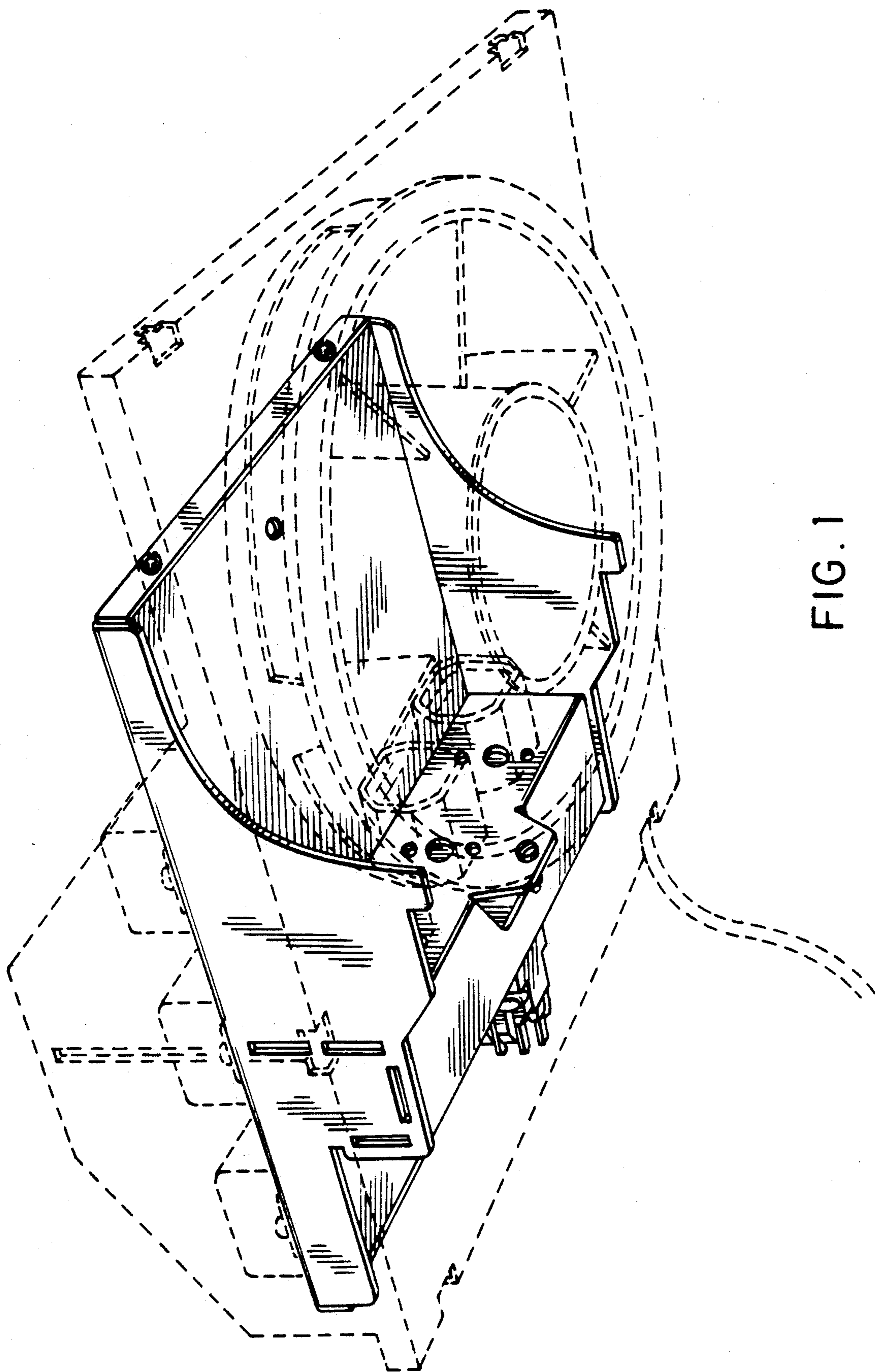


FIG. 1

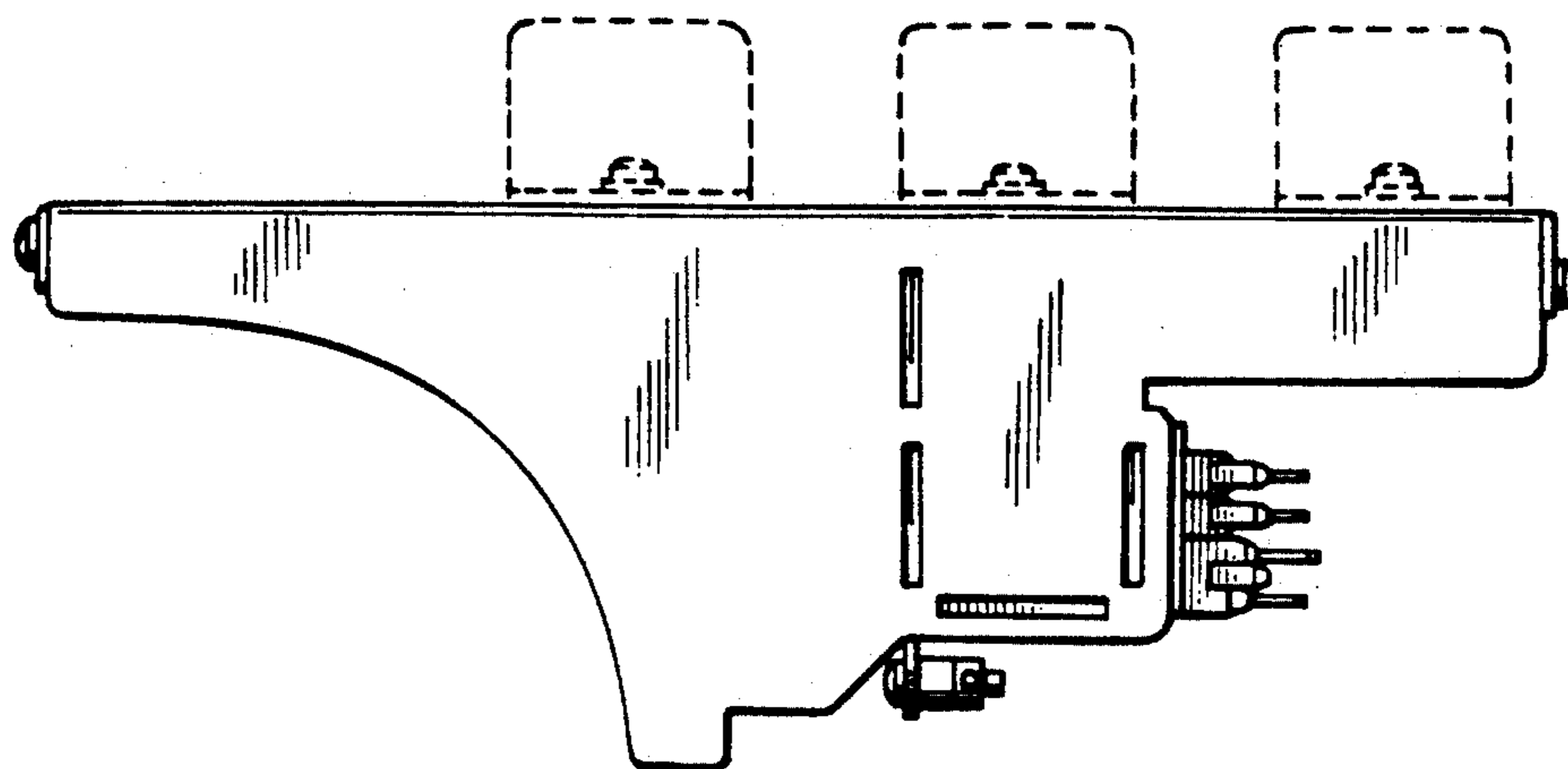


FIG. 2

FIG. 3

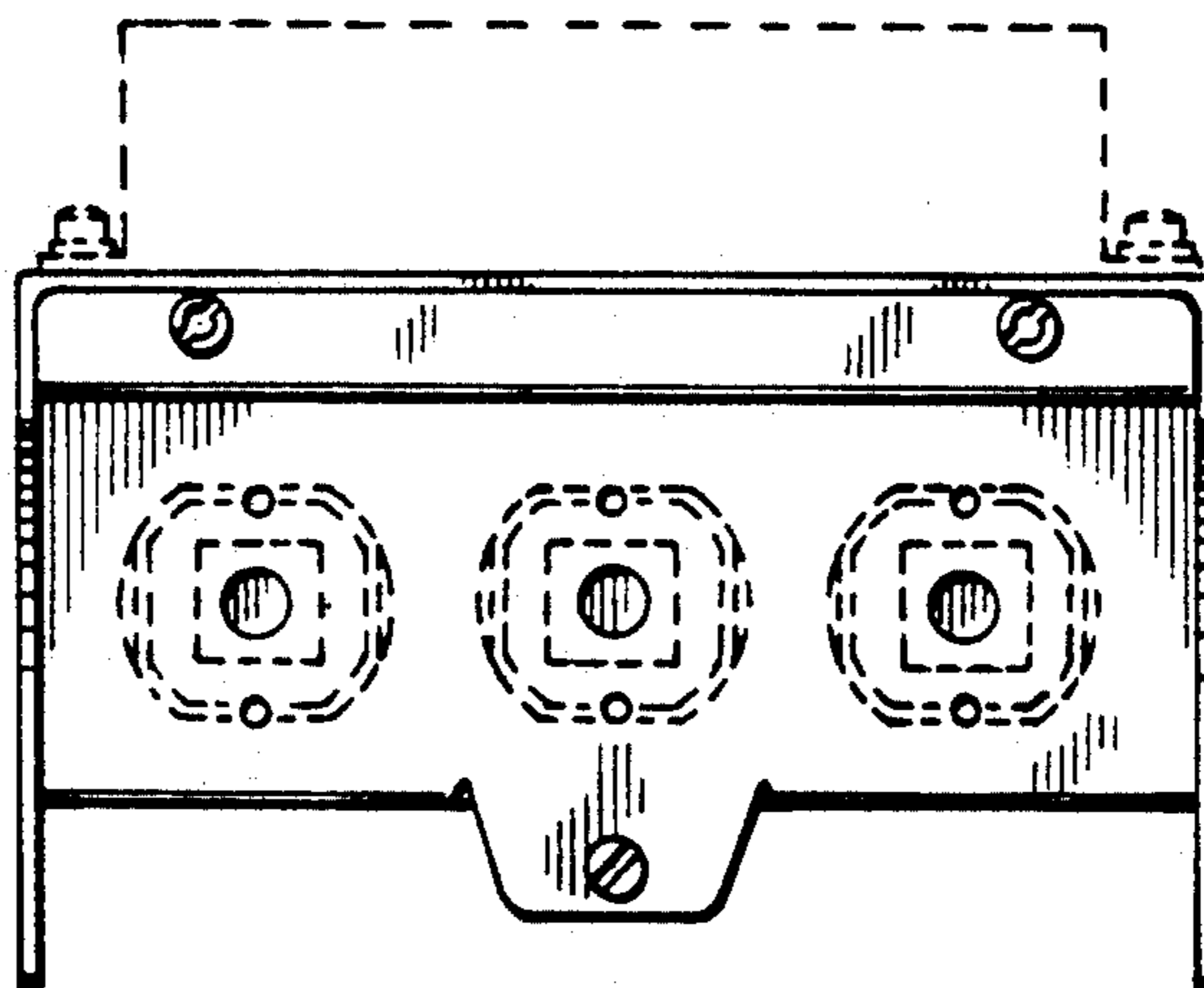
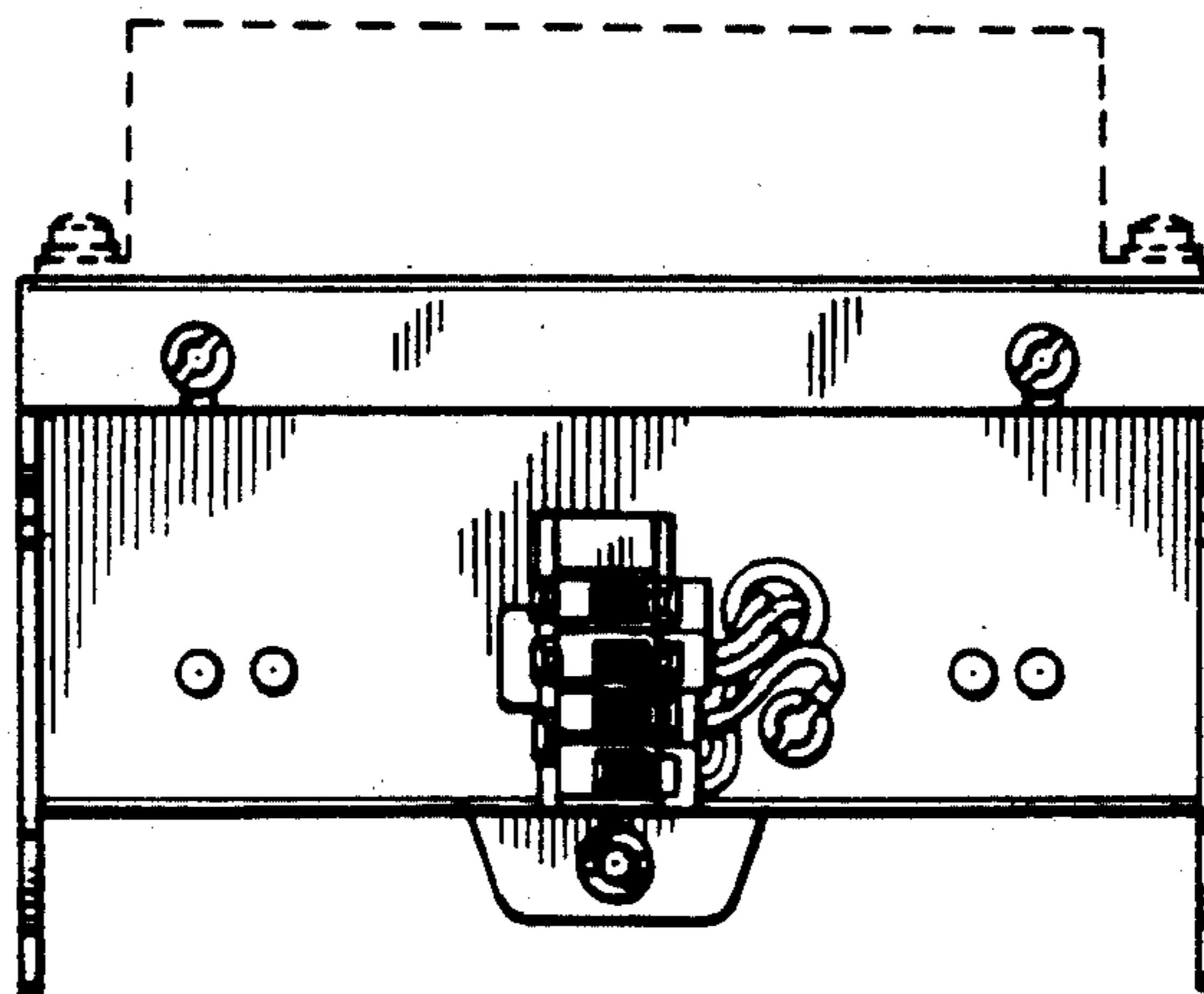


FIG. 4



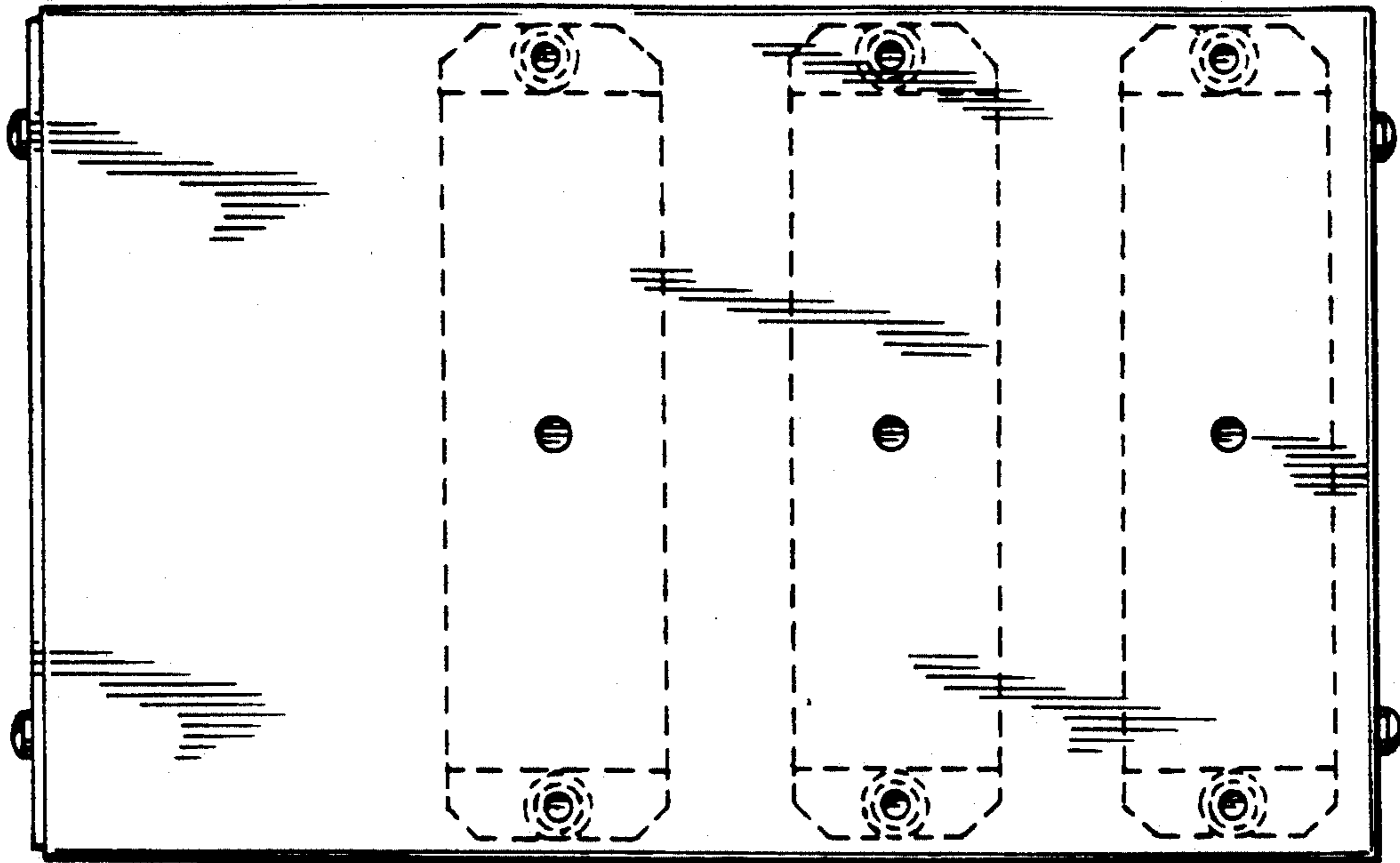


FIG. 5

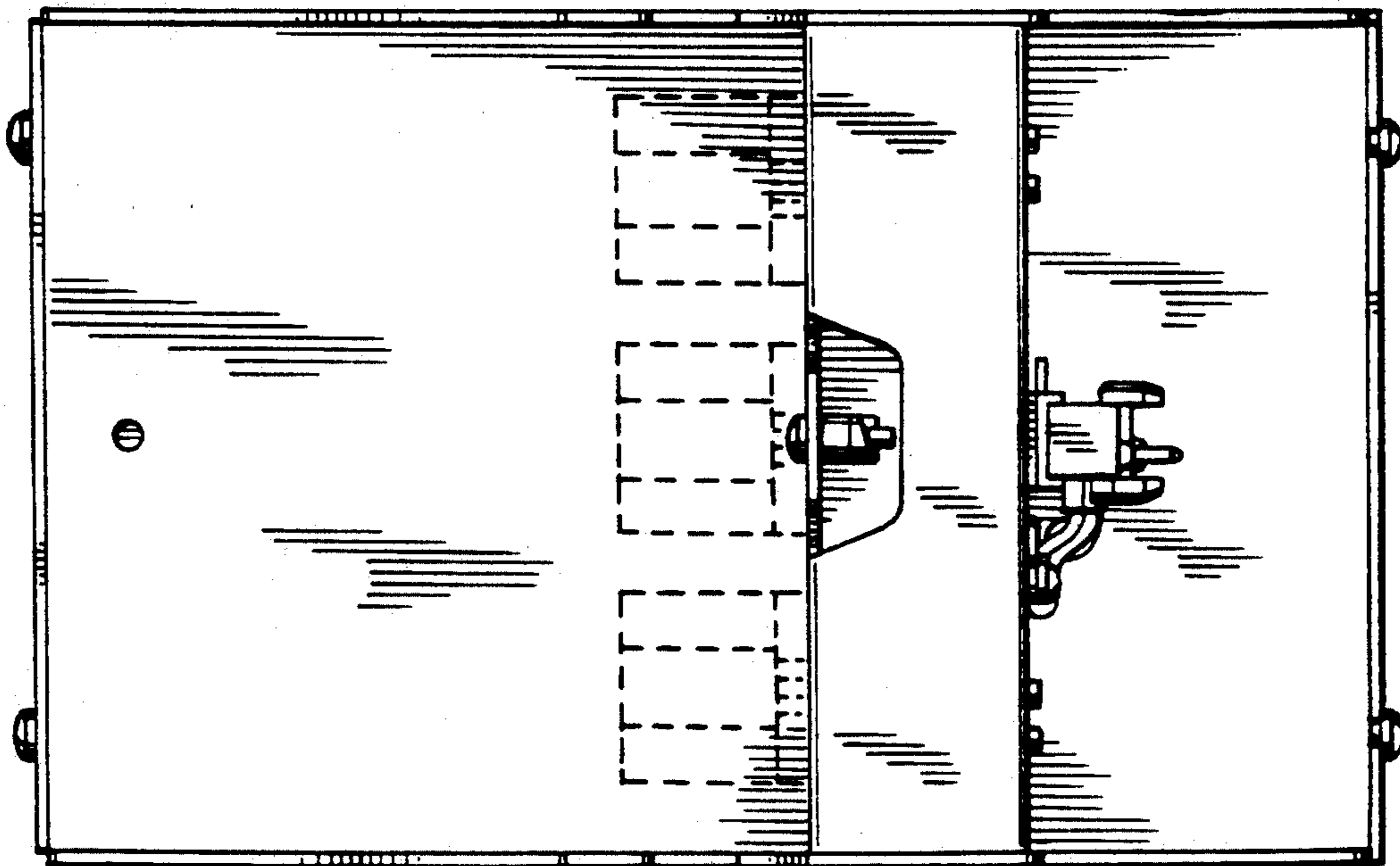


FIG. 6