



US00D339564S

United States Patent [19]

[11] Patent Number: **Des. 339,564**

Nagele et al.

[45] Date of Patent: **** Sep. 21, 1993**

[54] **CHARGING BASE FOR A CORDLESS TELEPHONE**

Attorney, Agent, or Firm—Kenneth W. Bolvin

[75] Inventors: **Albert L. Nagele, Wilmette; Terrance N. Taylor, Cary, both of Ill.**

[57] **CLAIM**

The ornamental design for a charging base for a cordless telephone, as shown and described.

[73] Assignee: **Motorola, Inc., Schaumburg, Ill.**

DESCRIPTION

[**] Term: **14 Years**

FIG. 1 is a front and upper left perspective view of a charging base for a cordless telephone showing our new design. The broken line showing is included for the purpose of illustrating environmental elements only and forms no part of the claimed design;

[21] Appl. No.: **689,593**

FIG. 2 is a right side elevational view of the charging base for a cordless telephone shown an enlarged scale. The broken line showing is included for the purpose of illustrating environmental elements only and forms no part of the claimed design;

[22] Filed: **Apr. 11, 1991**

[52] U.S. Cl. **D13/108**

FIG. 3 is a rear elevational view of the charging base for a cordless telephone. The broken line showing is included for the purpose of illustrating environmental elements only and forms no part of the claimed design; and,

[58] Field of Search **D13/107, 108; D14/137, D14/138, 240; 320/2, 3, 4, 5**

FIG. 4 is a bottom plan view of the charging base for a cordless telephone. The broken line showing is included for the purpose of illustrating environmental elements only and forms no part of the claimed design.

[56] **References Cited**

U.S. PATENT DOCUMENTS

- D. 285,555 9/1986 Fukutani D14/138
- D. 288,561 2/1987 Bond D14/138

OTHER PUBLICATIONS

Cordless phone bases on p. 348 of B.A. Pargh Company, Inc. 1989 catalog.

Primary Examiner—Wallace R. Burke

Assistant Examiner—Joel Sincavage

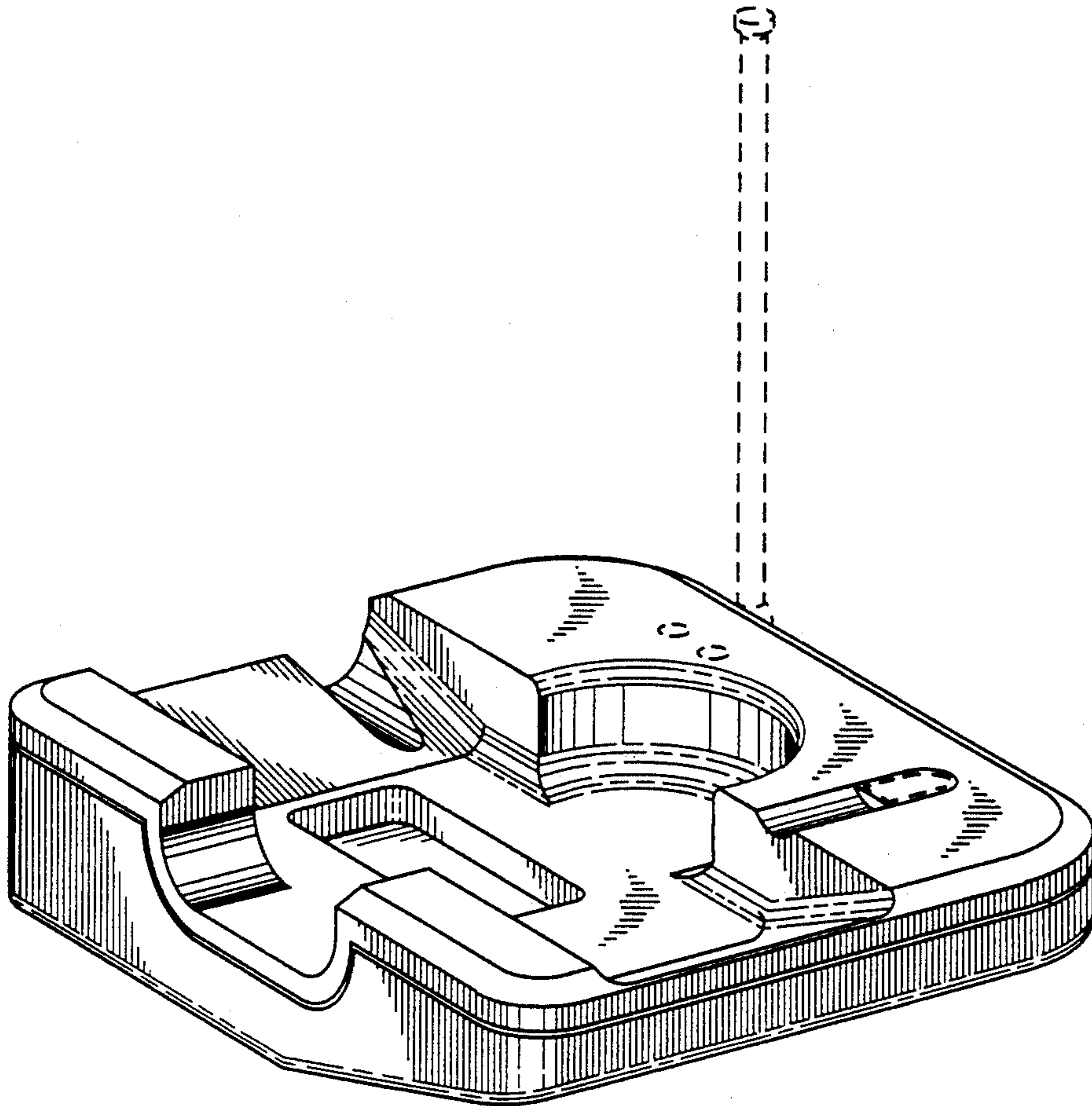
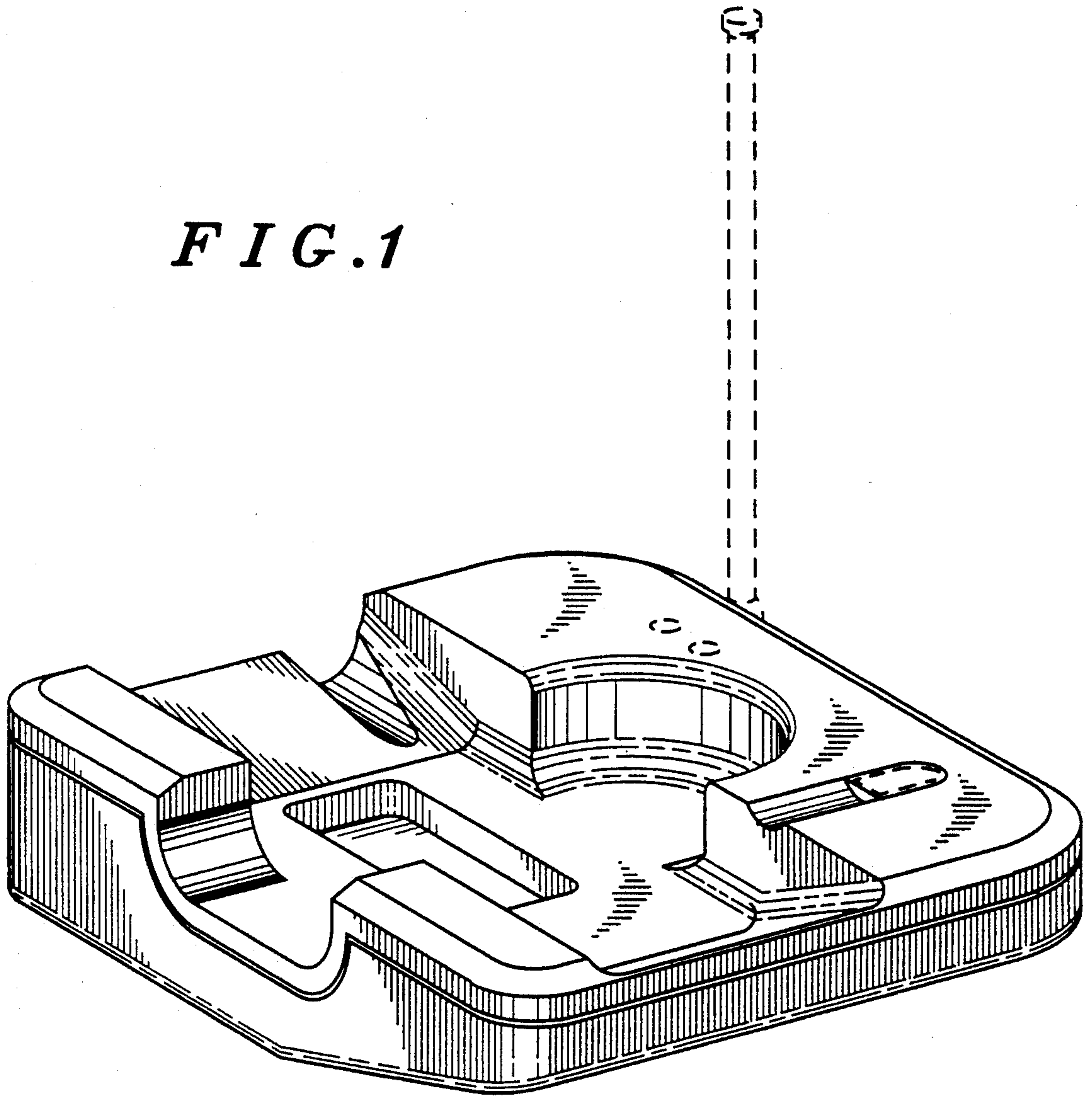


FIG. 1



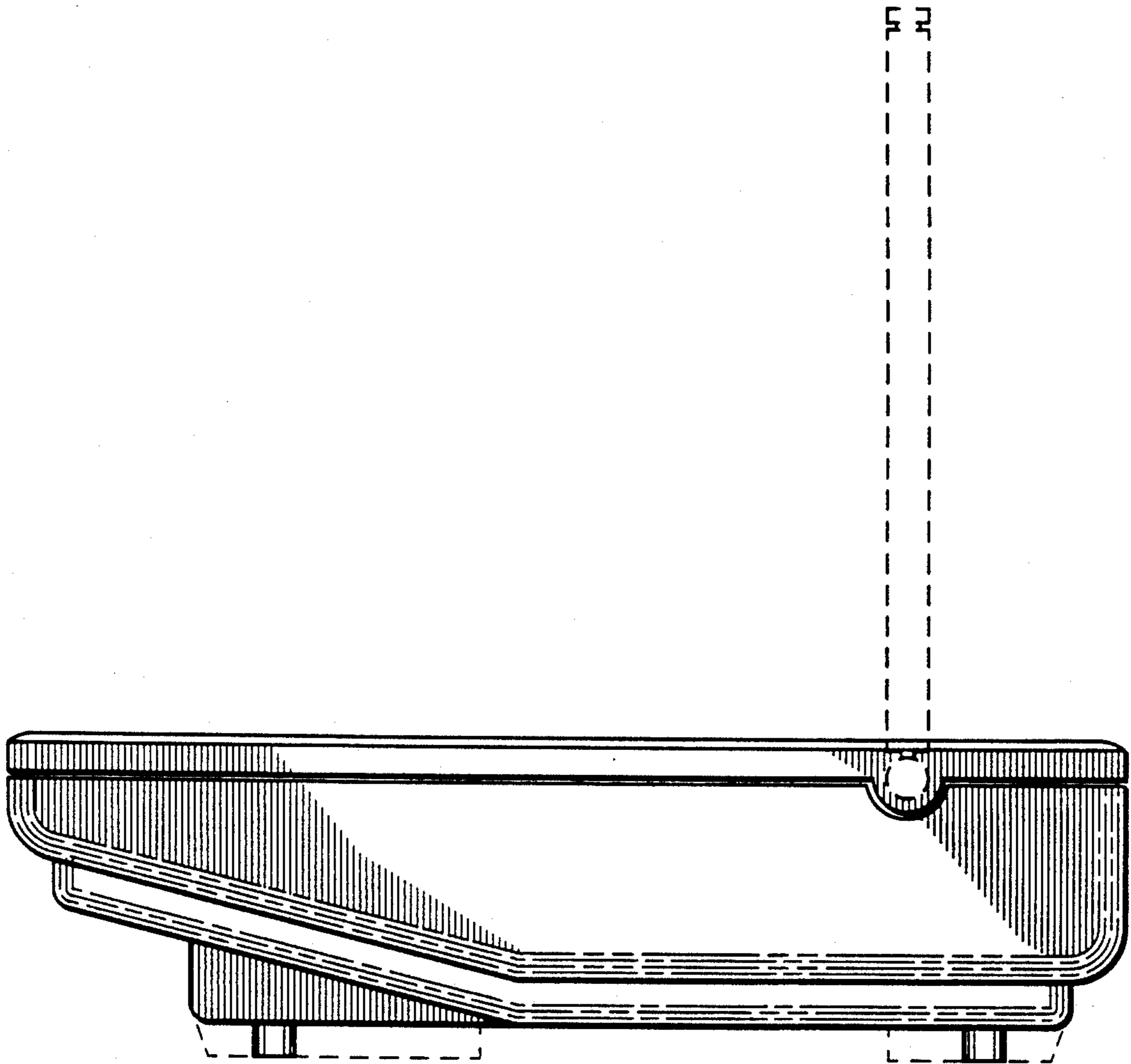
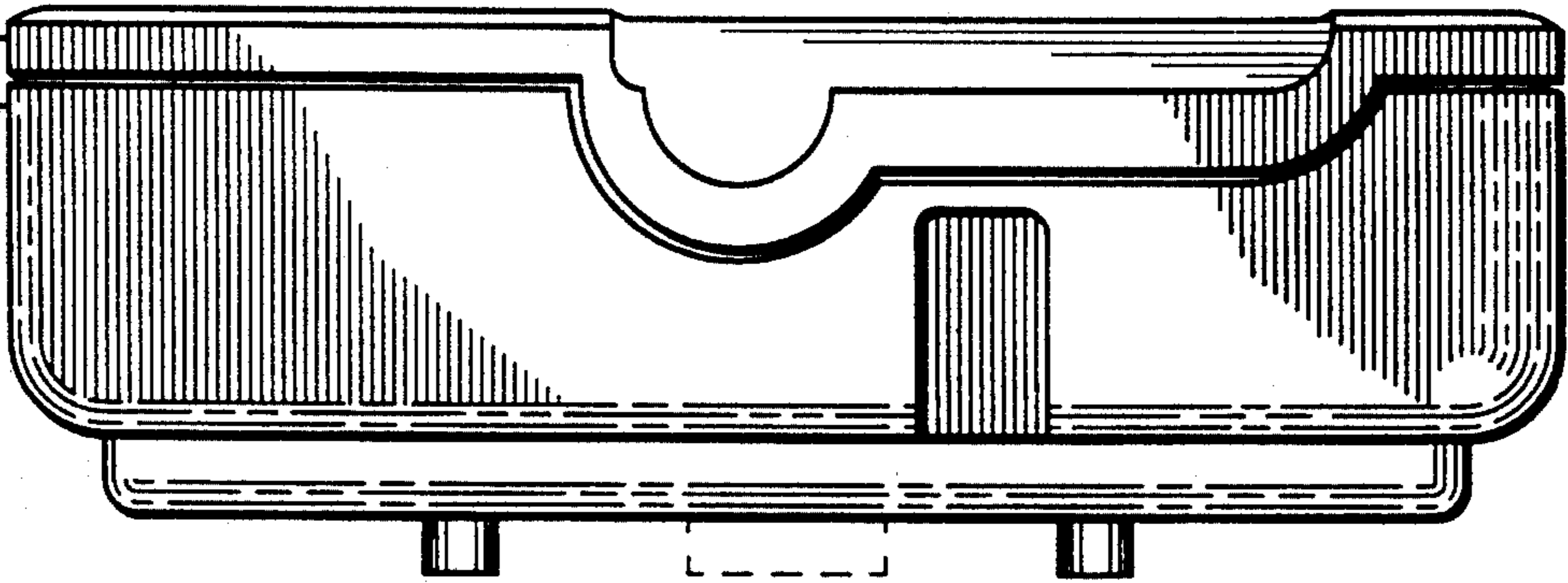


FIG. 2



FIG. 3



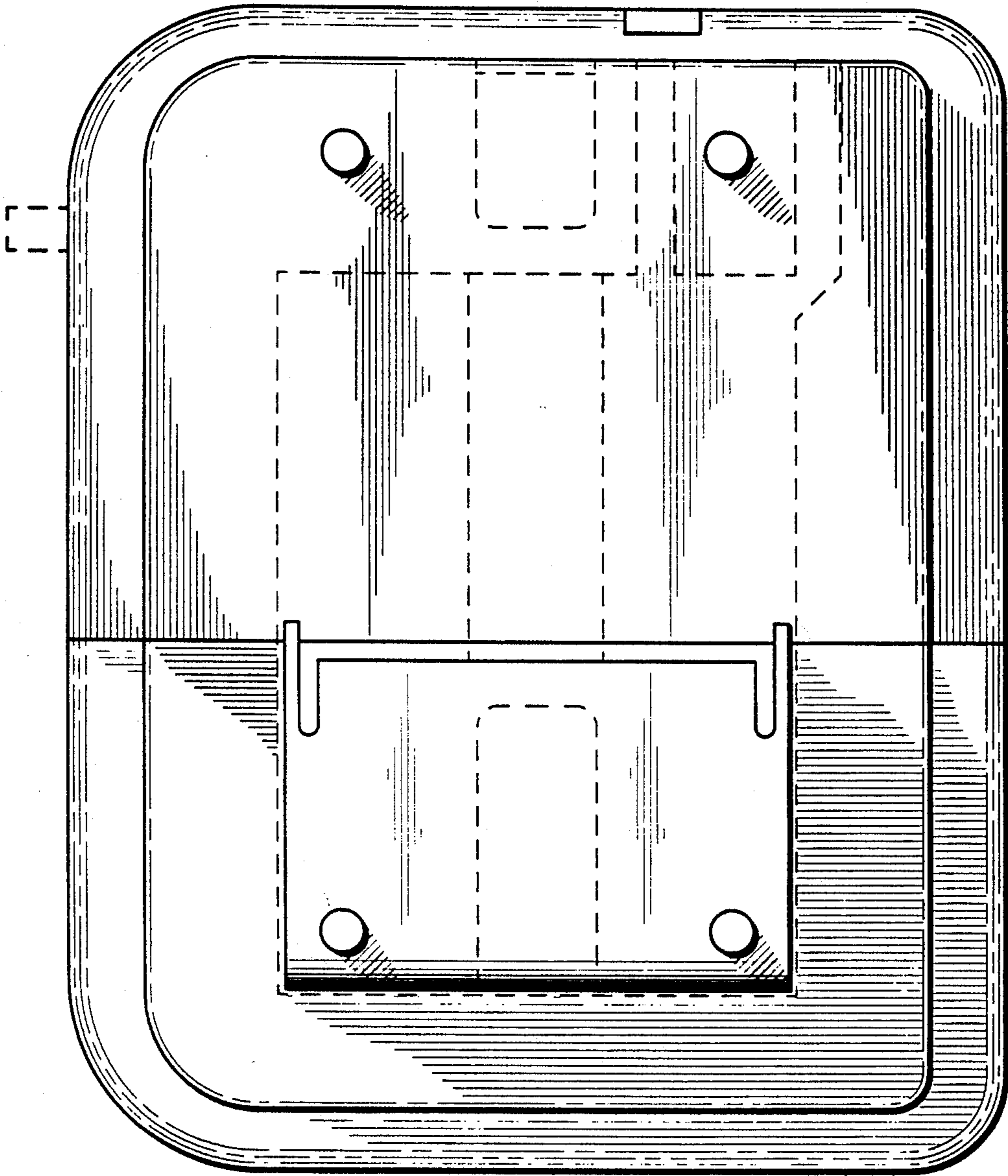


FIG. 4