



US00D339562S

United States Patent [19]

Ditzig et al.

[11] Patent Number: **Des. 339,562**

[45] Date of Patent: **** Sep. 21, 1993**

[54] **COMPUTER MONITOR FOR ACCESS TO TELEPHONE AND COMPUTER RELATED SERVICES IN COMMERCIAL AIRCRAFT**

[75] Inventors: **Albert Ditzig, Hoffman Estates; Jerome L. Oldani, Aurora, both of Ill.**

[73] Assignee: **The Goeken Group Corporation, Oak Brook Tr., Ill.**

[**] Term: **14 Years**

[21] Appl. No.: **560,336**

[22] Filed: **Jul. 31, 1990**

[52] U.S. Cl. **D12/345; D14/113**

[58] Field of Search **D14/100, 101, 113, 125-127, D14/130, 131, 132, 244; D6/356, 492; D12/192, 195, 345; 358/254, 255; 379/433**

[56] **References Cited**

U.S. PATENT DOCUMENTS

- D. 281,940 12/1985 Steventon et al. D14/113 X
- D. 295,042 4/1988 Steventon et al. D12/345 X

- D. 311,907 11/1990 Yoshihara D14/106
- 4,647,980 3/1987 Steventon et al. 358/254
- 4,727,569 2/1988 Kutrieb et al. 379/433 X
- 4,835,604 5/1989 Kondo et al. 358/254 X
- 4,843,477 6/1989 Mizutani et al. 358/254 X

Primary Examiner—Wallace R. Burke
Assistant Examiner—Freda S. Nunn
Attorney, Agent, or Firm—Jeffrey M. Morris

[57] **CLAIM**

The ornamental design for a computer monitor for access to telephone and computer related services in commercial aircraft, as shown and described.

DESCRIPTION

FIG. 1 is a reduced top front and left side perspective view of a computer monitor for access to telephone and computer related services in commercial aircraft showing our new design;
FIG. 2 is a right side elevational view thereof;
FIG. 3 is a top plan view thereof;
FIG. 4 is a front elevational view thereof;
FIG. 5 is a rear elevational view thereof; and,
FIG. 6 is a bottom plan view thereof.

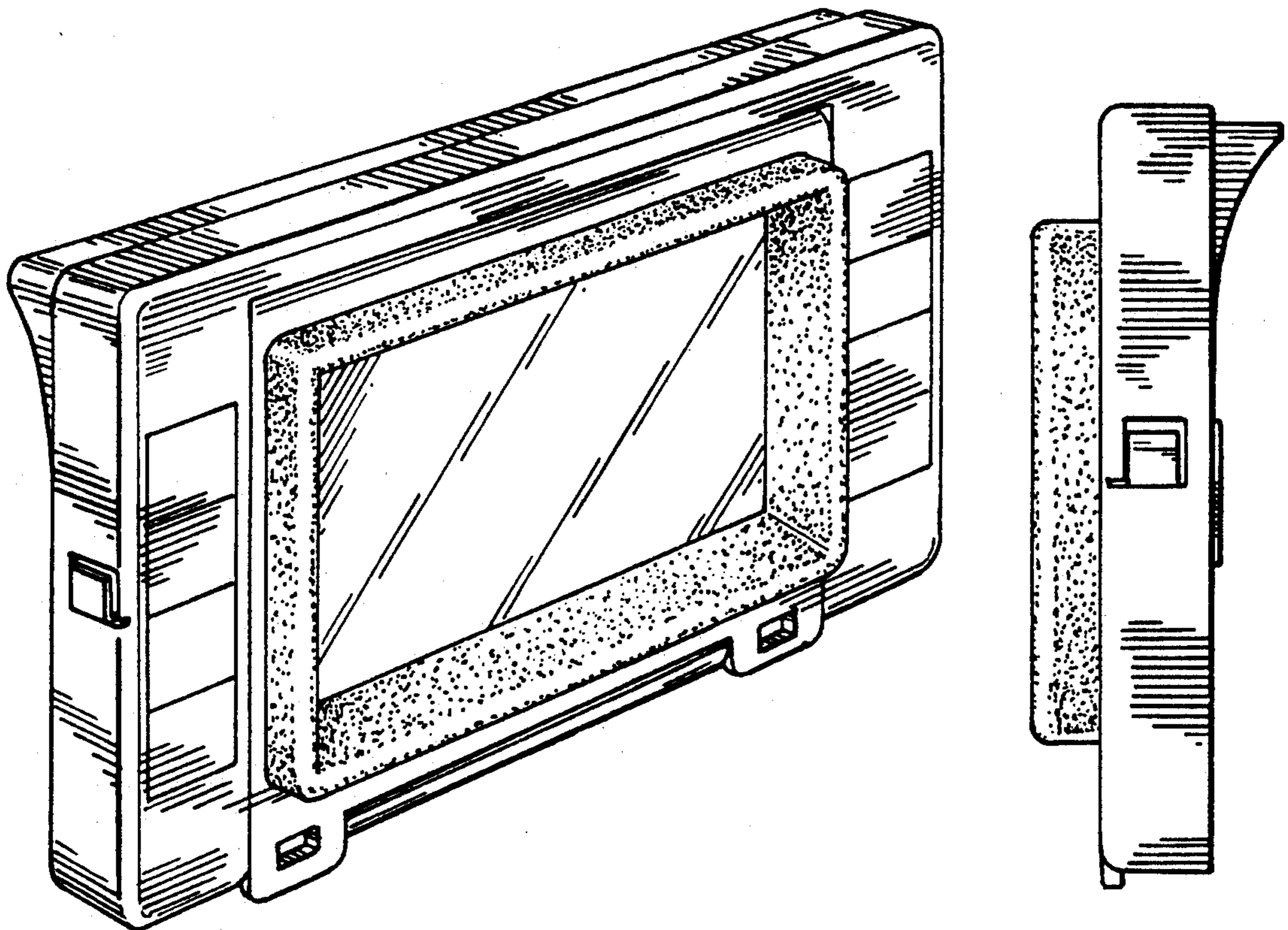


Fig. 1

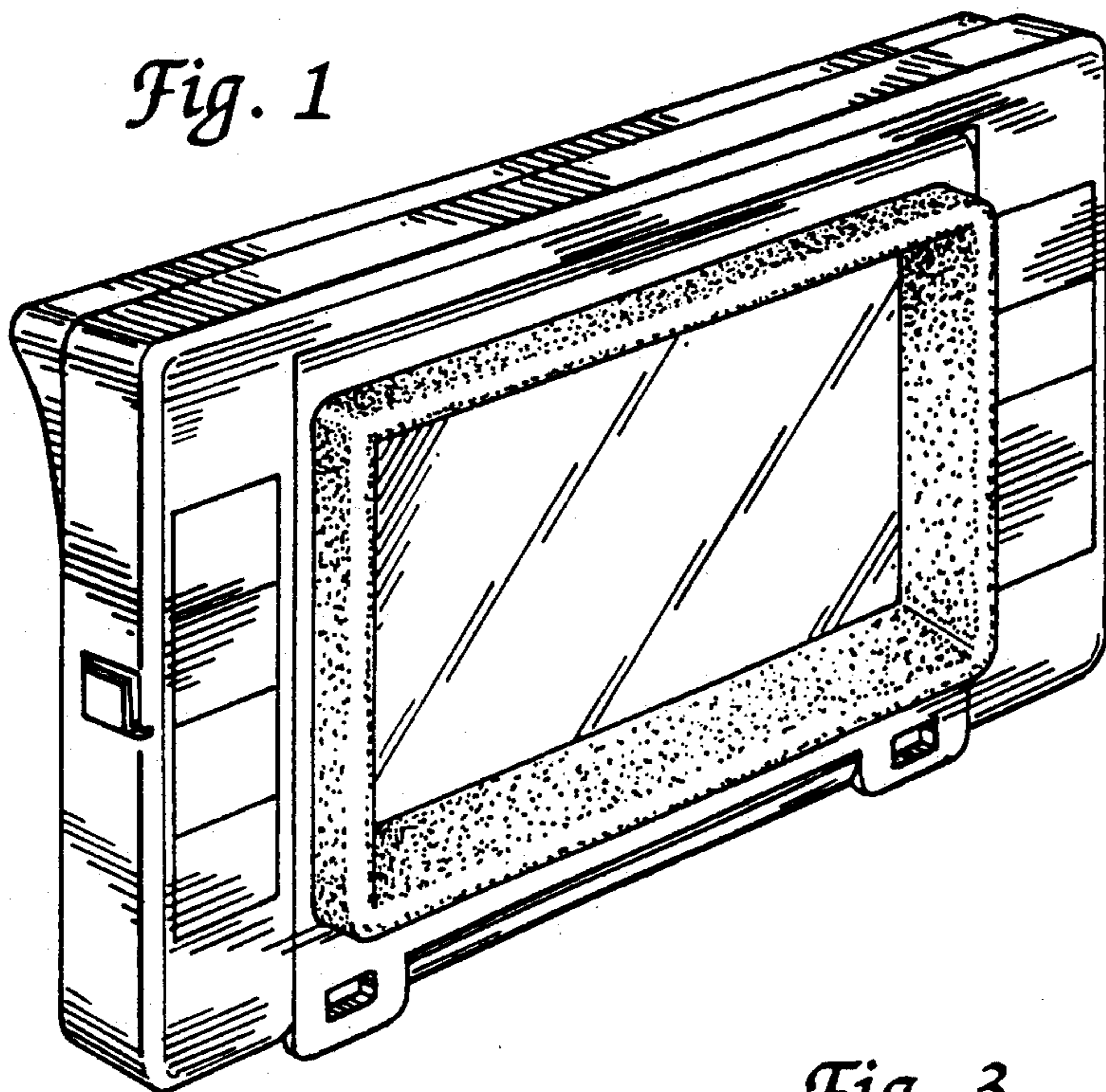


Fig. 2

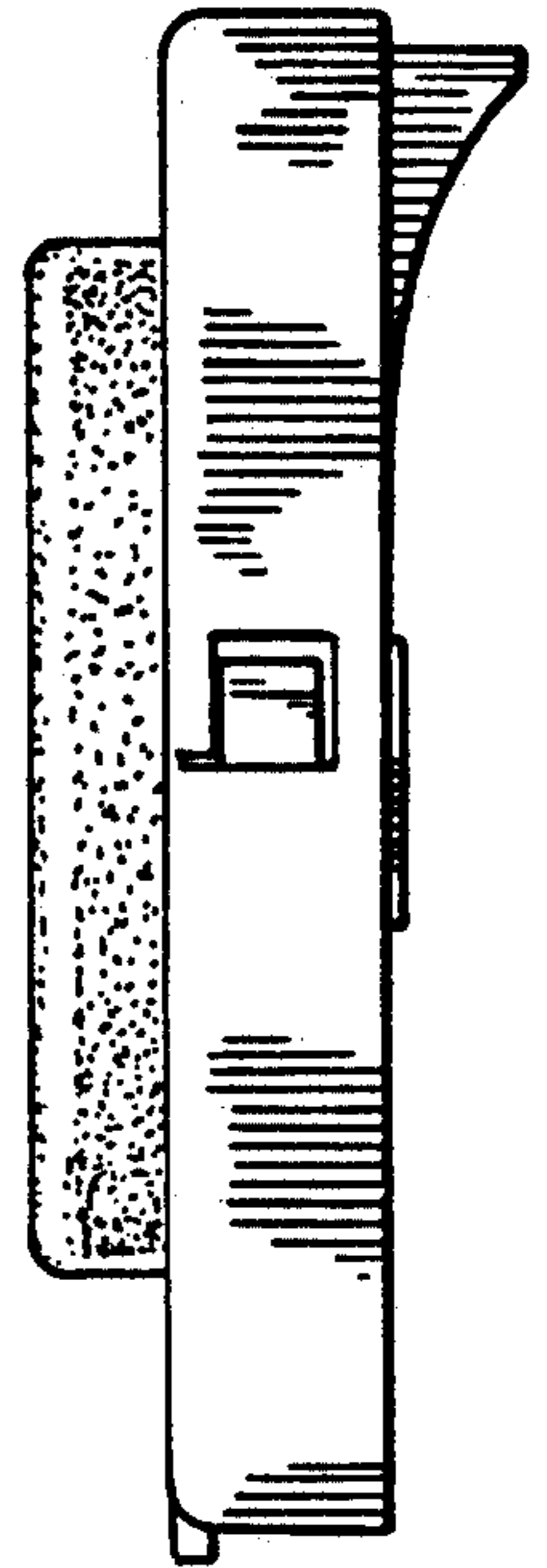


Fig. 3

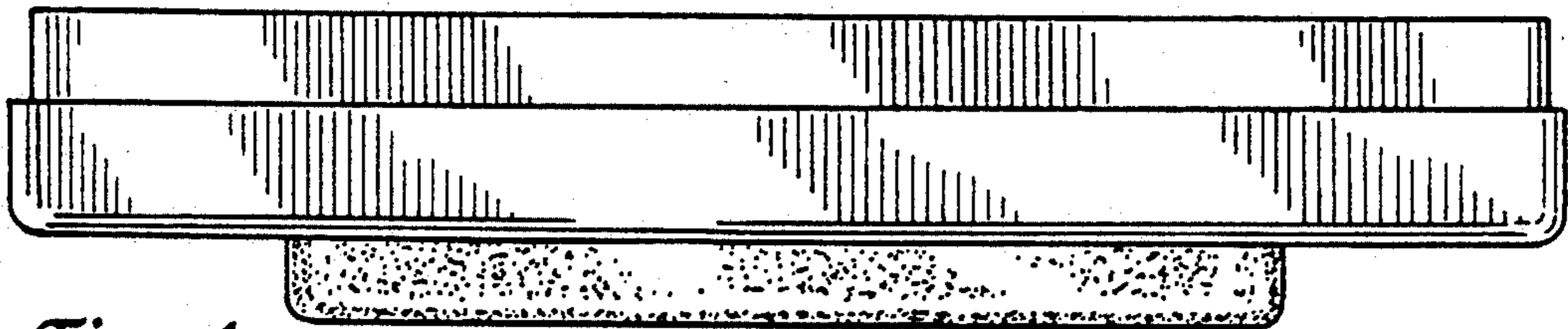


Fig. 4

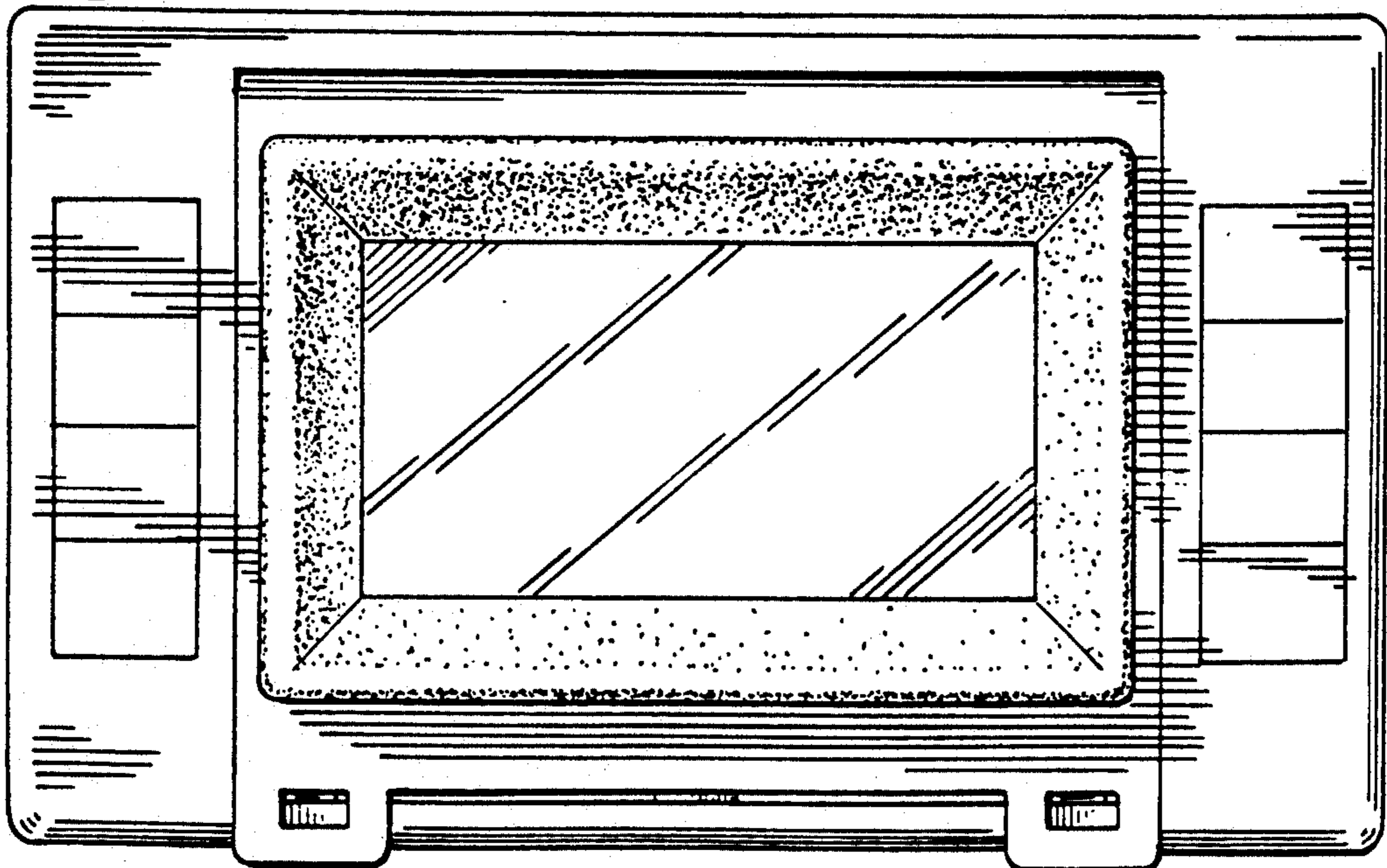


Fig. 5

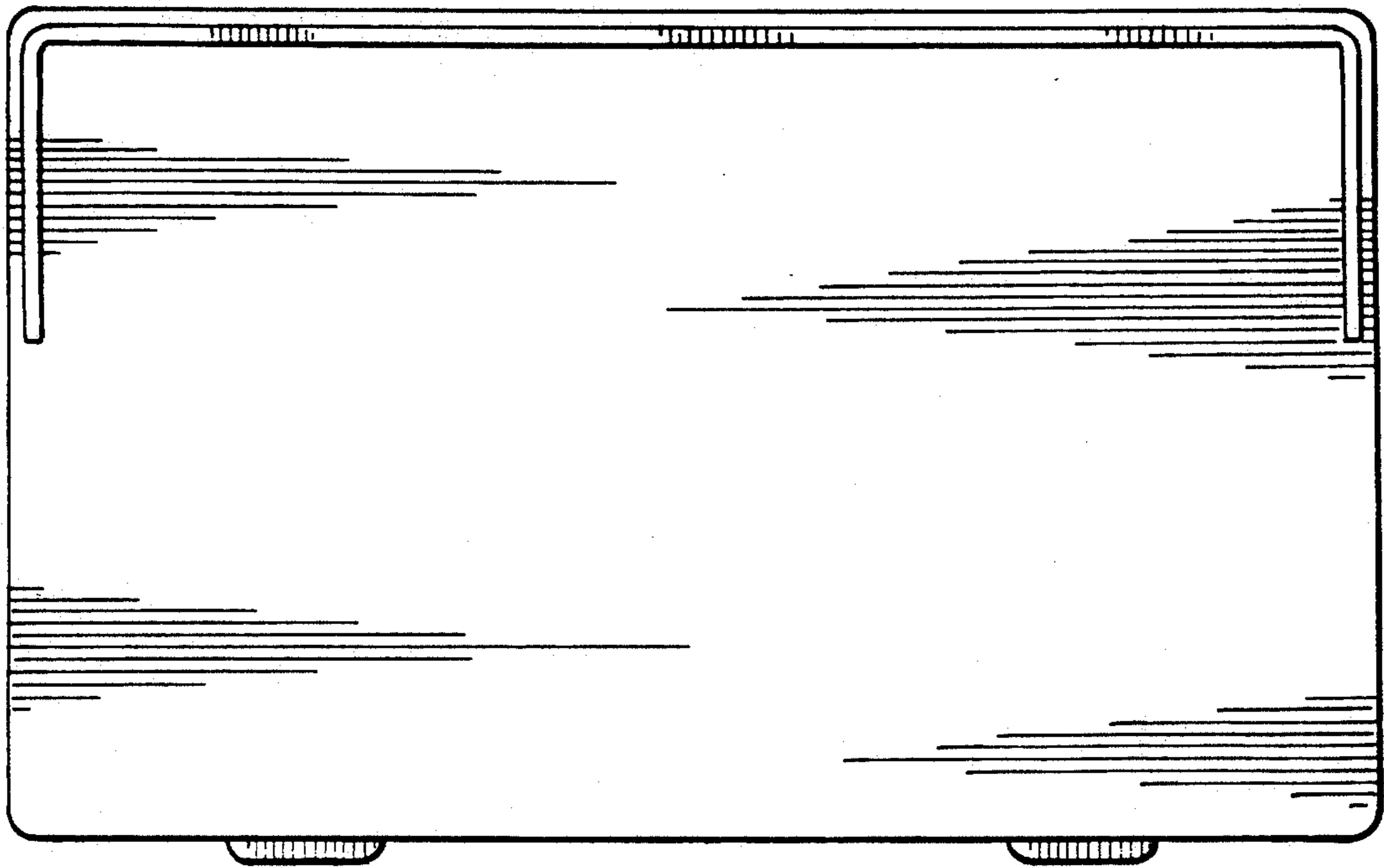


Fig. 6

