



US00D339556S

United States Patent [19]

[11] Patent Number: **Des. 339,556**

Berglund

[45] Date of Patent: **** Sep. 21, 1993**

[54] **GROCERY CART-ATTACHABLE INFANT CARRYING DEVICE**

D. 295,276	4/1988	Brown	D6/333
D. 296,730	7/1988	Fetterman	D6/333
4,651,366	3/1987	Lande et al.	D34/27
4,773,702	9/1988	Takahashi et al.	297/218

[76] Inventor: **Timothy E. Berglund**, 300 N. Bare #216, North Platte, Nebr. 69101

Primary Examiner—Kay H. Chin
Attorney, Agent, or Firm—Terry M. Gernstein

[**] Term: **14 Years**

[57] **CLAIM**

[21] Appl. No.: **792,761**

The ornamental design for a grocery cart-attachable infant carrying device, as shown and described.

[22] Filed: **Nov. 4, 1991**

[52] U.S. Cl. **D12/133; D6/333**

[58] Field of Search **D12/130, 130, 129; 280/644, 30; 297/218, DIG. 1, 223; D6/333, 339; D34/27**

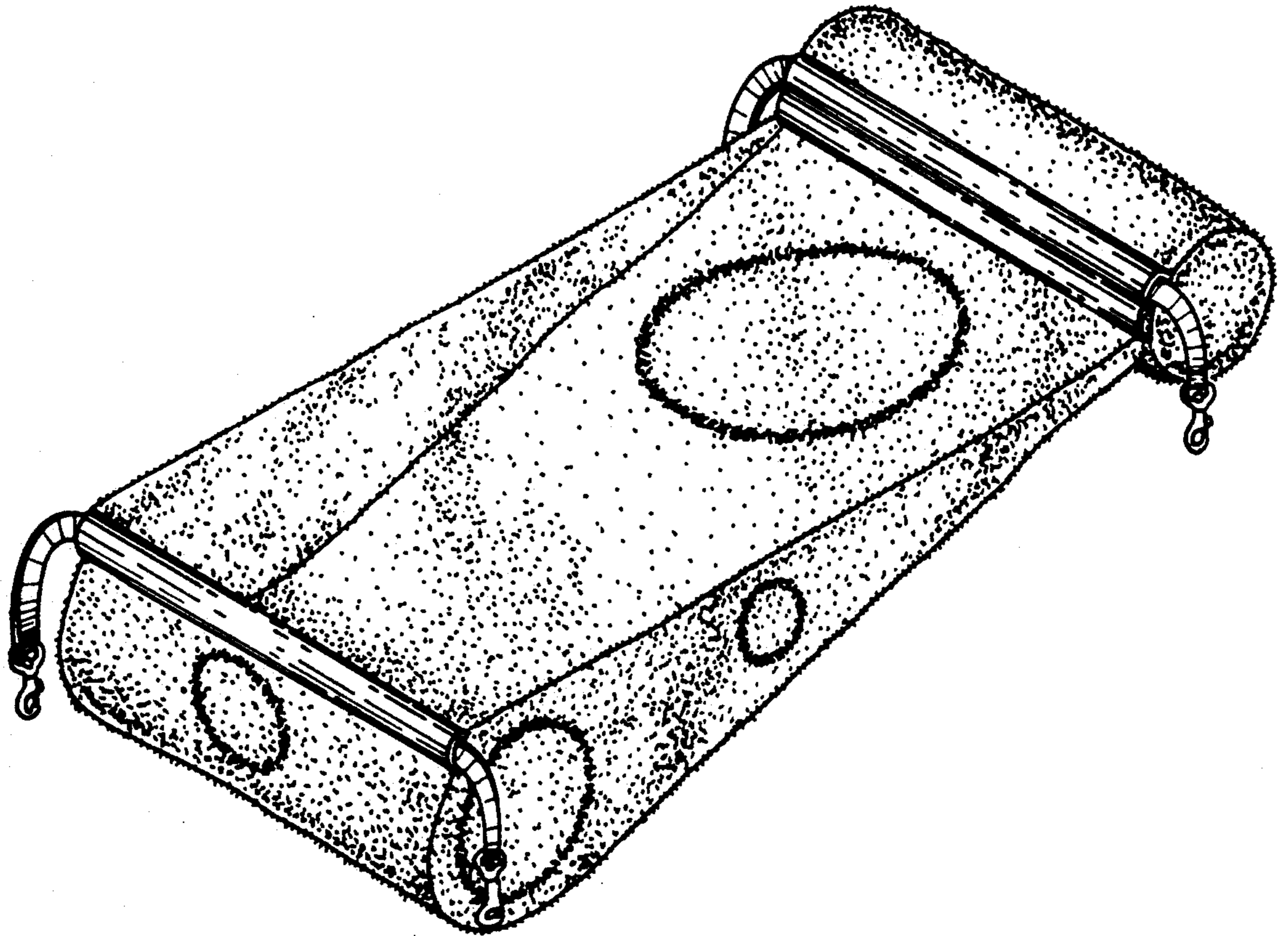
DESCRIPTION

[56] **References Cited**

U.S. PATENT DOCUMENTS

D. 183,651	10/1958	Grill	D12/129
D. 253,204	10/1979	Rymes	D6/333
D. 281,553	12/1985	Glawe	D6/333
D. 289,123	4/1987	Tennen	D6/333
D. 292,451	10/1987	Jorgensen	D6/333
D. 294,099	2/1988	Bromberg et al.	D6/333

FIG. 1 is a perspective view of the grocery cart-attachable infant carrying device showing my new design; FIG. 2 is a front elevational view thereof; FIG. 3 is a rear elevational view thereof; FIG. 4 is a side elevational view thereof; FIG. 5 is a side elevational view thereof; FIG. 6 is a top plan view thereof; FIG. 7 is a bottom view thereof; and, FIG. 8 is a perspective view showing the device in a rolled up condition.



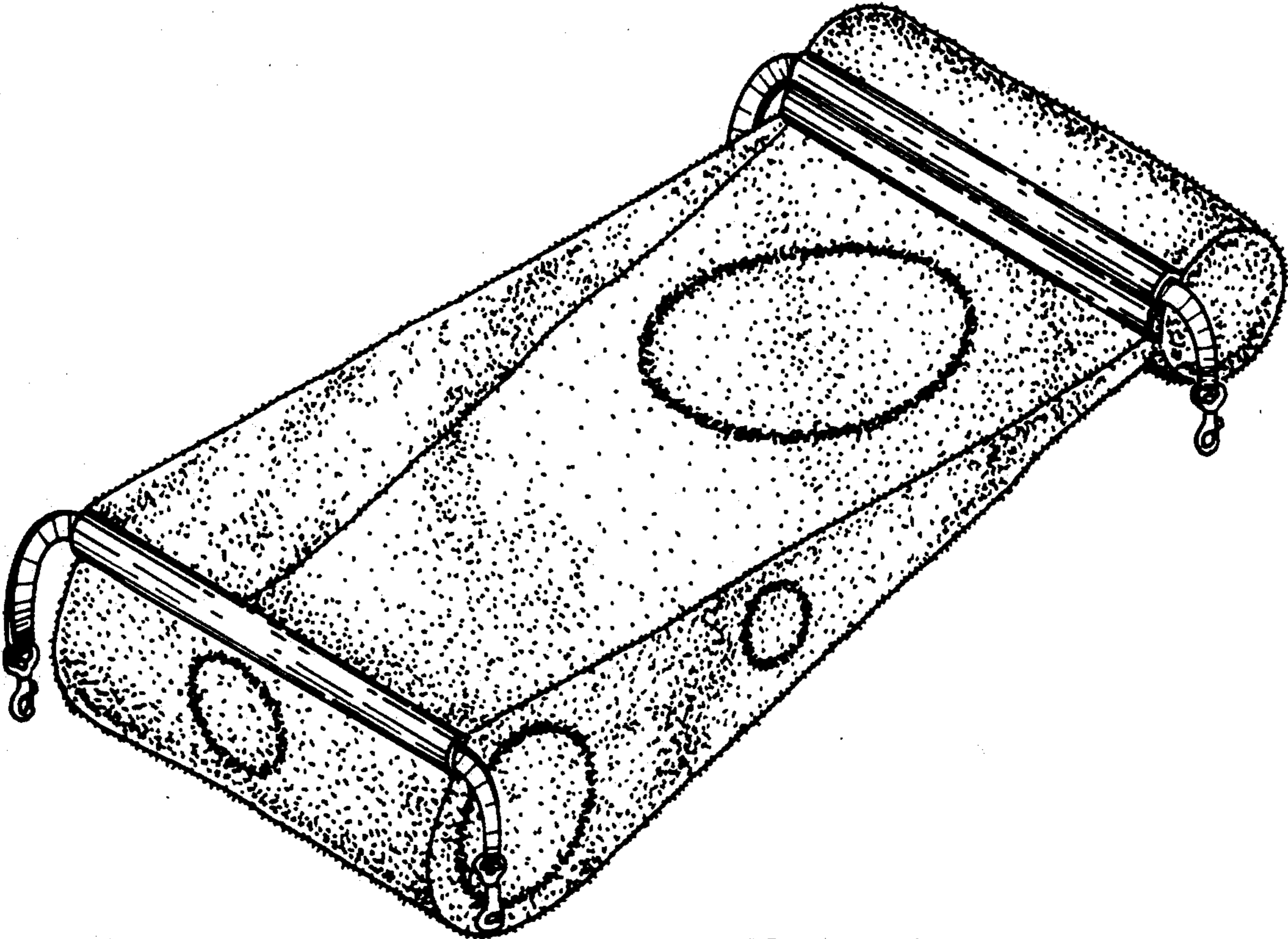


FIG. 1

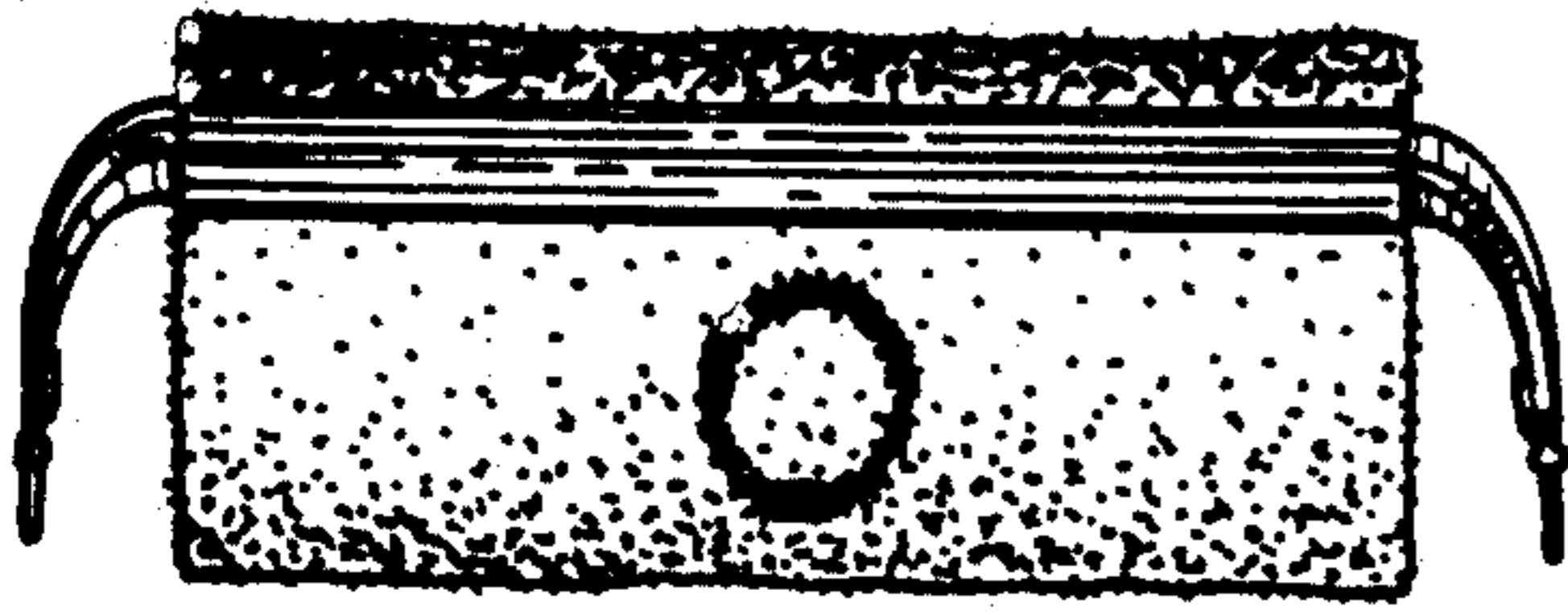


FIG. 2

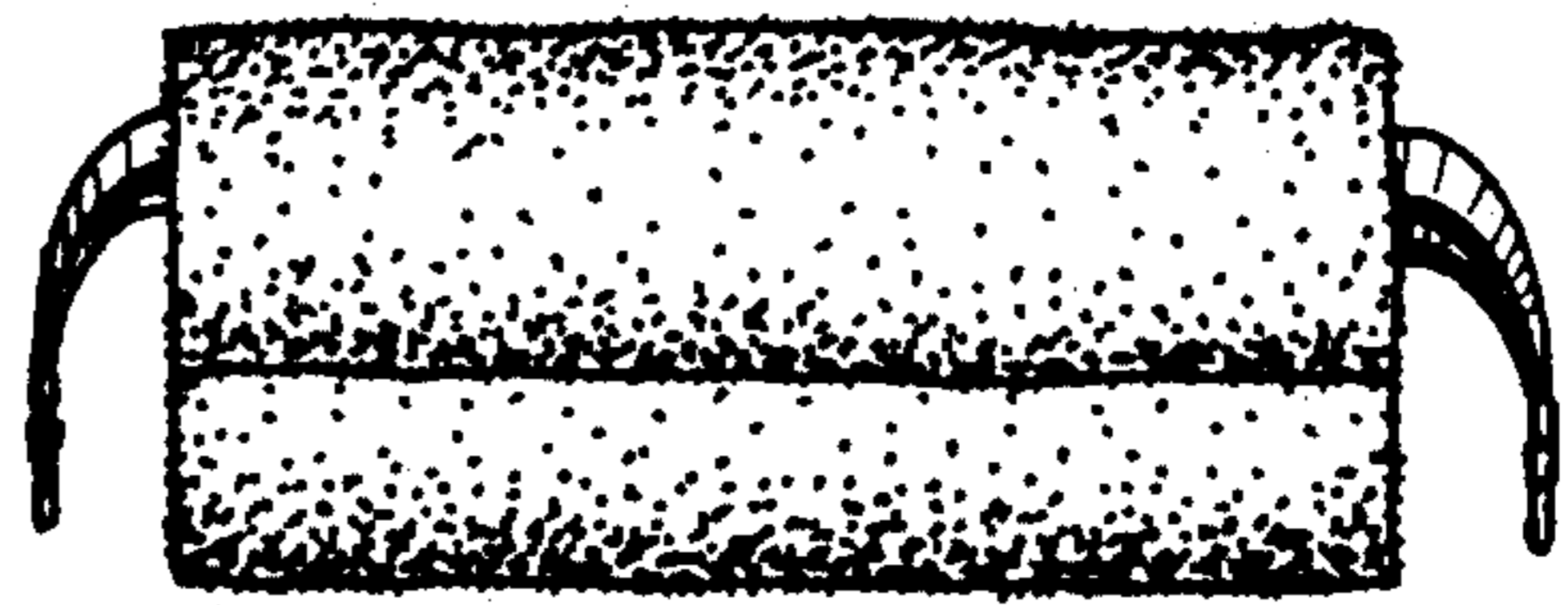


FIG. 3

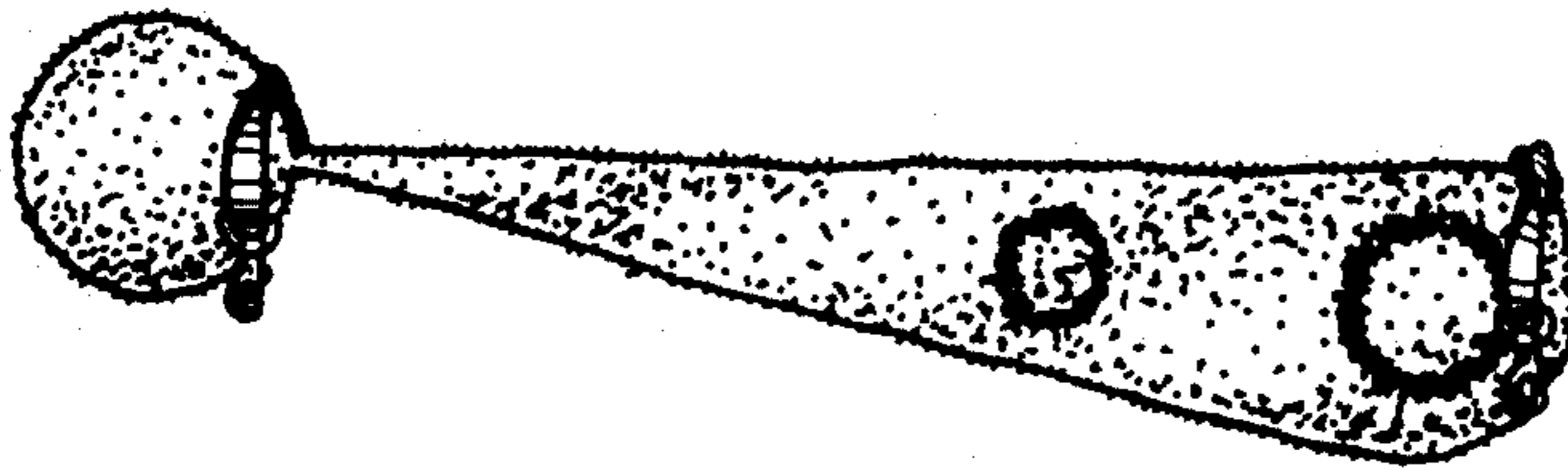


FIG. 4

FIG. 5

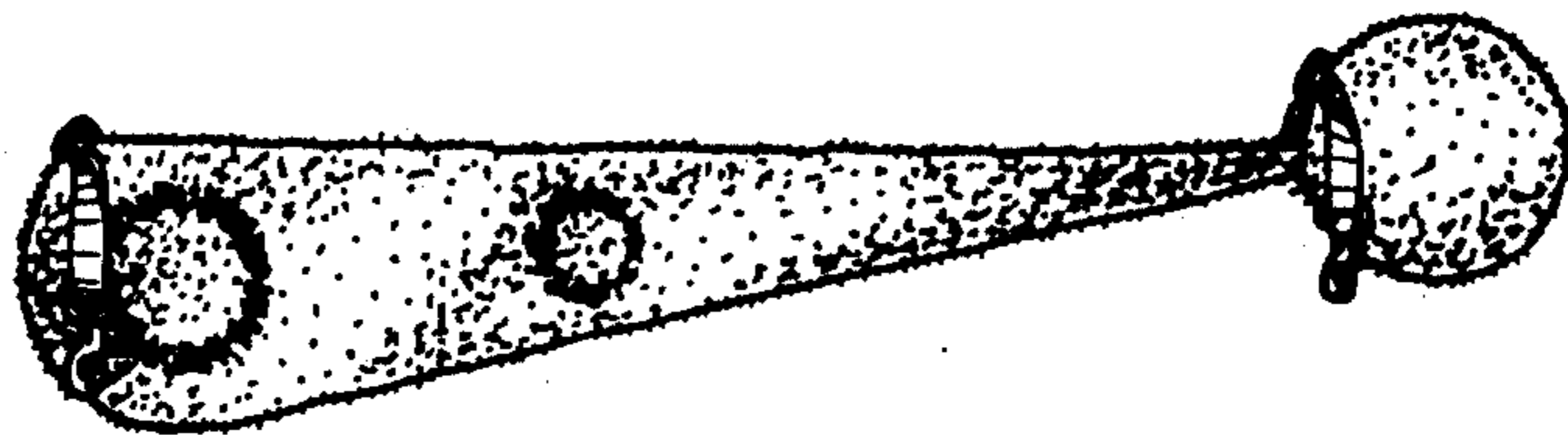


FIG. 6

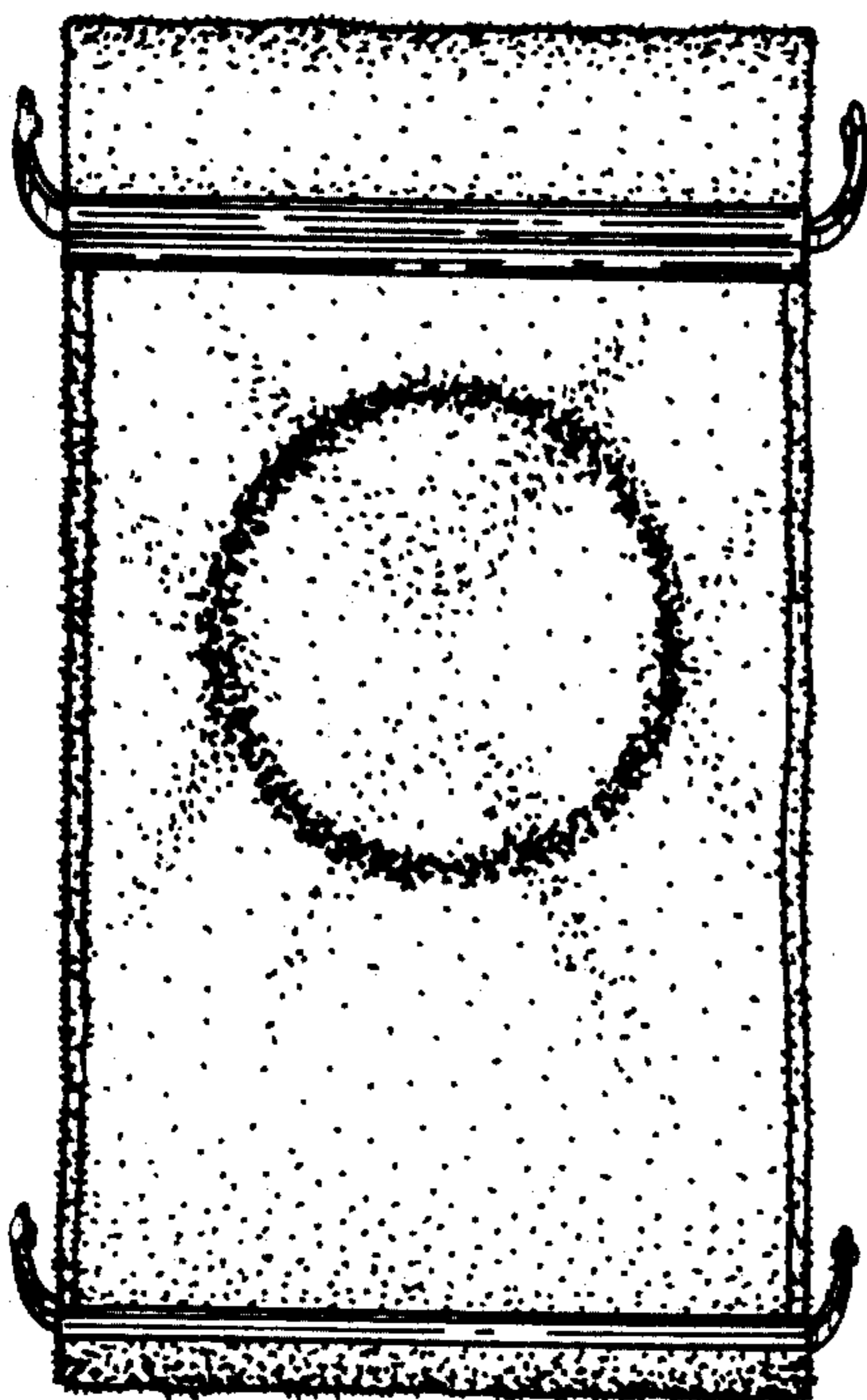
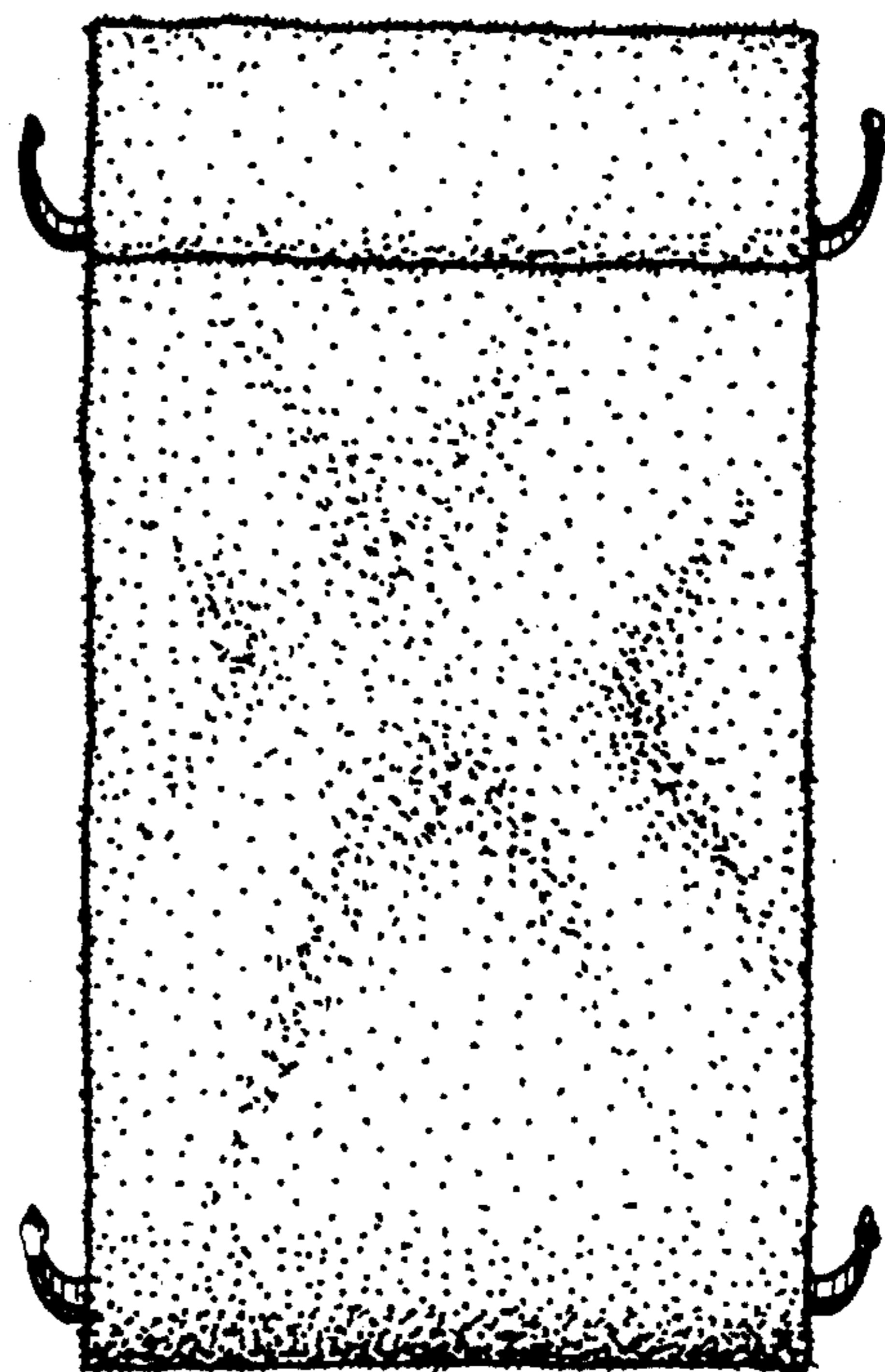


FIG. 7



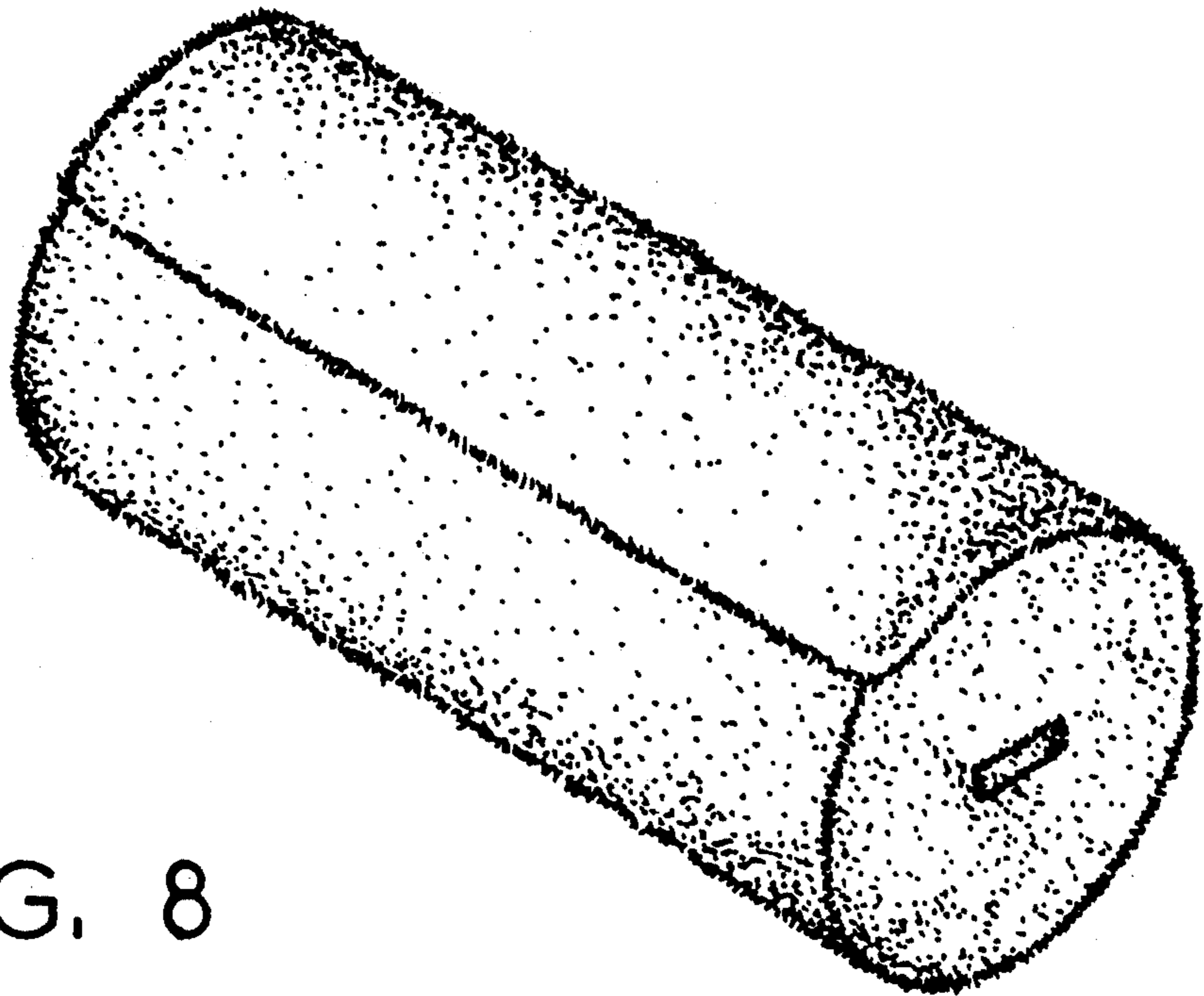


FIG. 8