



US00D339555S

United States Patent [19]

[11] Patent Number: **Des. 339,555**

Seibel et al.

[45] Date of Patent: **** Sep. 21, 1993**

[54] **BABY WALKER BUMPER**

4,844,209 7/1989 Sedlack 280/7.051
4,988,138 1/1991 Danna 280/7.051

[76] Inventors: **Geoffrey C. Seibel; Beth Ann Seibel,**
both of 2052 Hill La., Hellertown,
Pa. 18055

Primary Examiner—Kay H. Chin
Attorney, Agent, or Firm—Terry M. Gernstein

[**] Term: **14 Years**

[57] **CLAIM**

[21] Appl. No.: **758,071**

The ornamental design for a baby walker bumper, as shown and described.

[22] Filed: **Sep. 12, 1991**

DESCRIPTION

[52] U.S. Cl. **D12/133; D12/130**

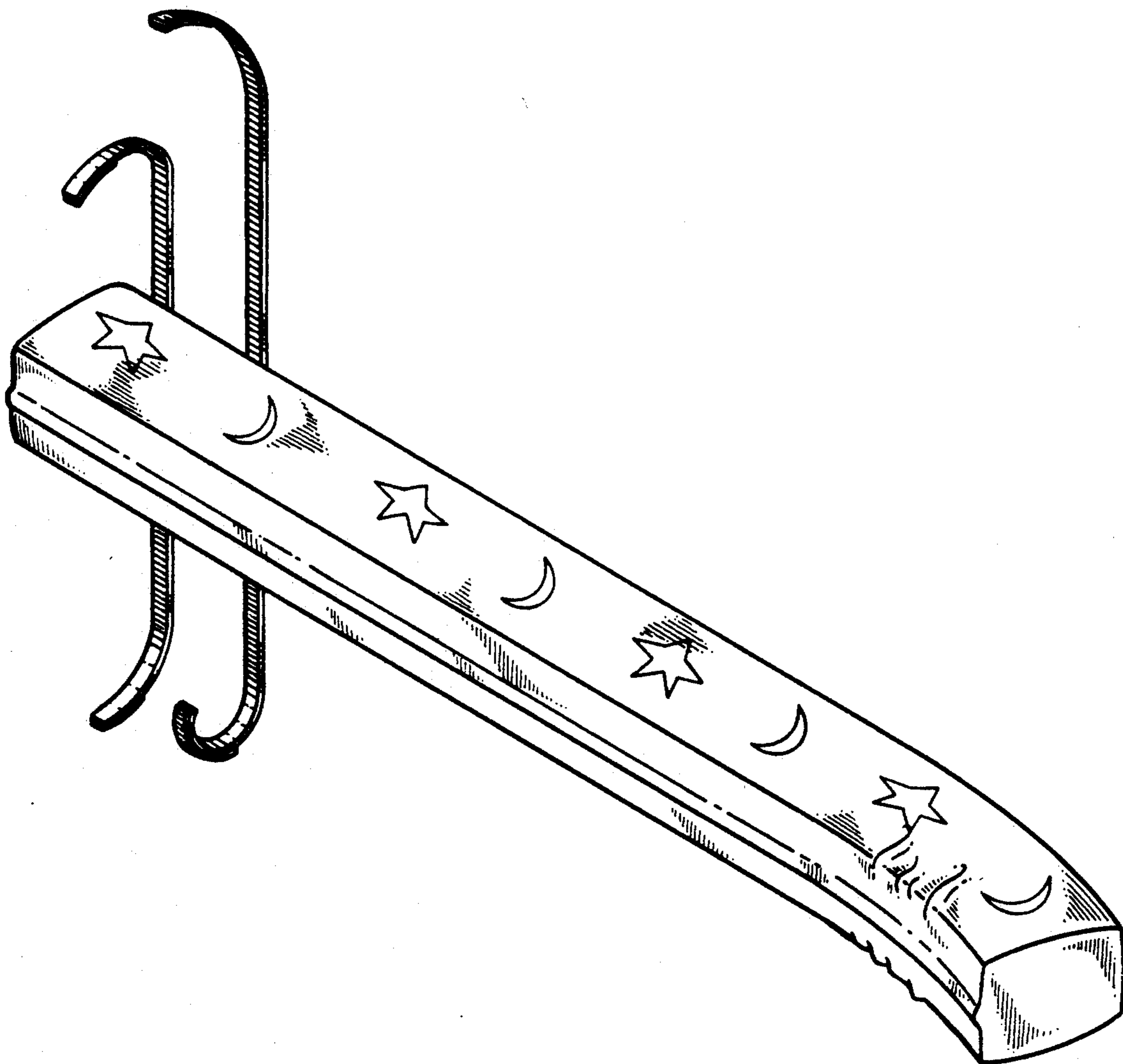
[58] Field of Search **D12/133, 128, 130, 129;**
293/107, 120, 126, 127; 280/87.051

FIG. 1 is a perspective view of the baby walker bumper embodying the design of the present invention; FIG. 2 is a front elevation view thereof; FIG. 3 is a rear elevational view thereof; FIG. 4 is an left end elevational view thereof; FIG. 5 is an right end elevational view thereof; FIG. 6 is a top plan view thereof; and, FIG. 7 is a bottom view thereof.

[56] **References Cited**

U.S. PATENT DOCUMENTS

3,183,028 5/1965 Williams 293/127
4,699,392 10/1987 Ku 280/7.051



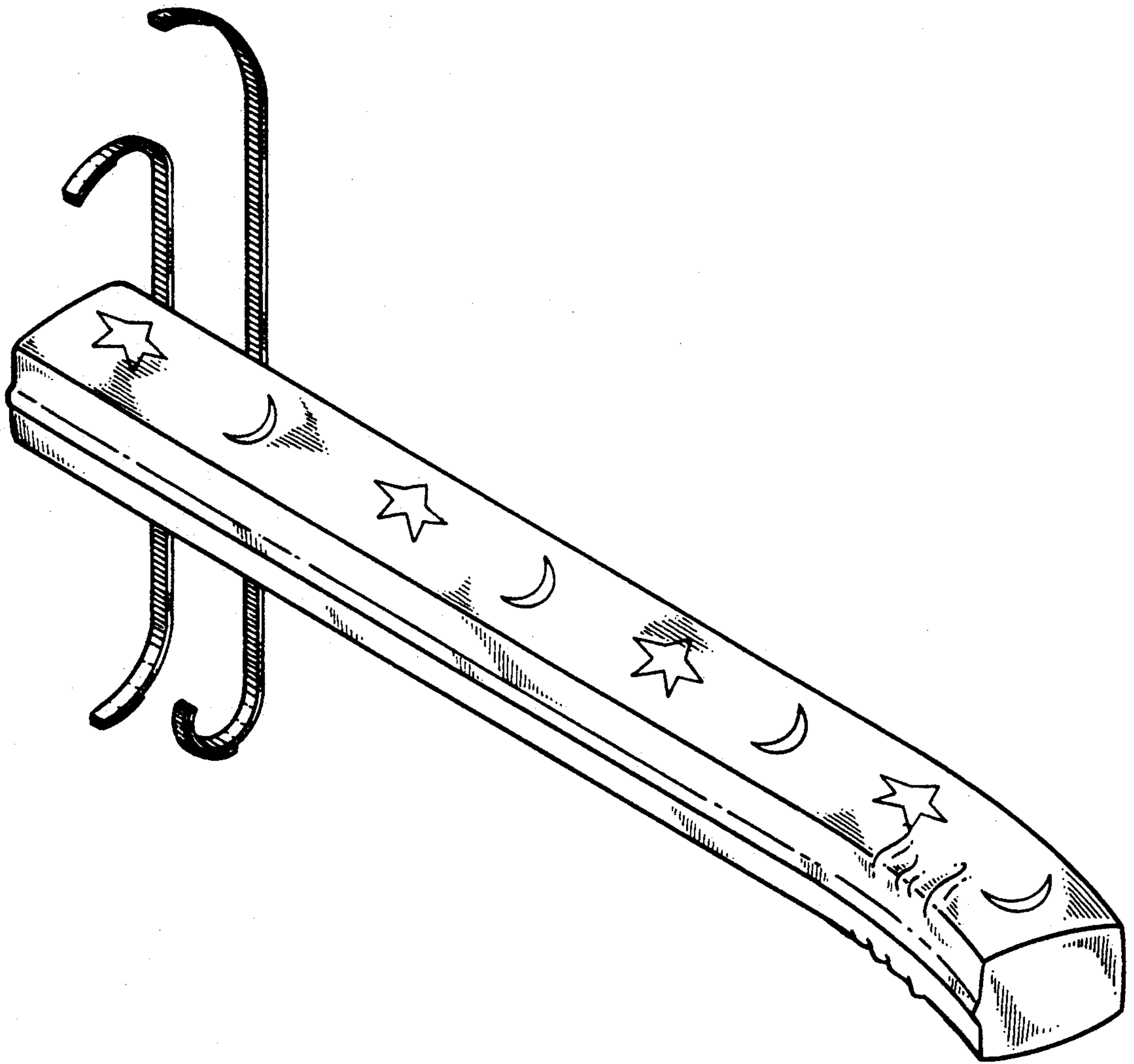


FIG. 1

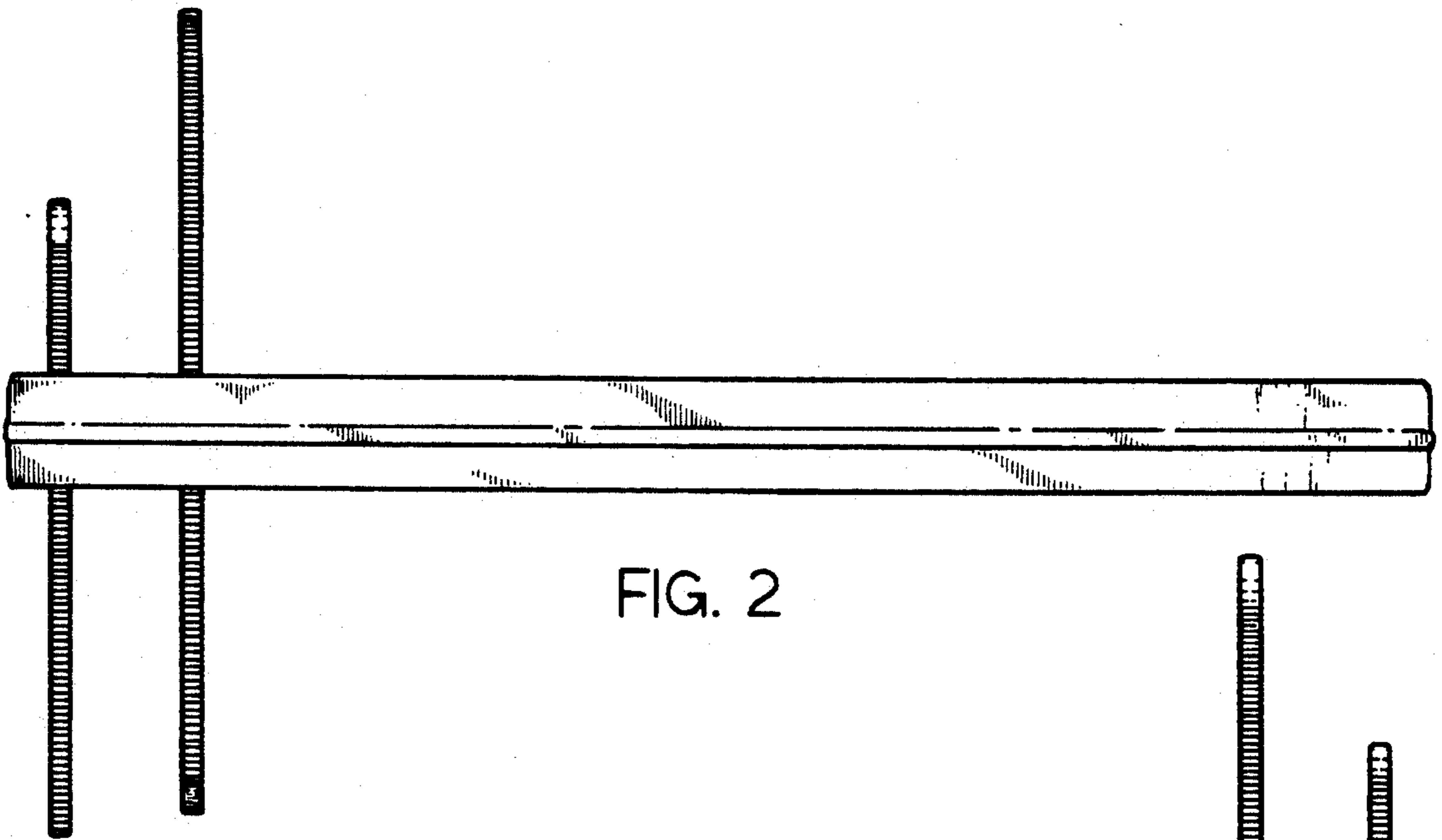


FIG. 2

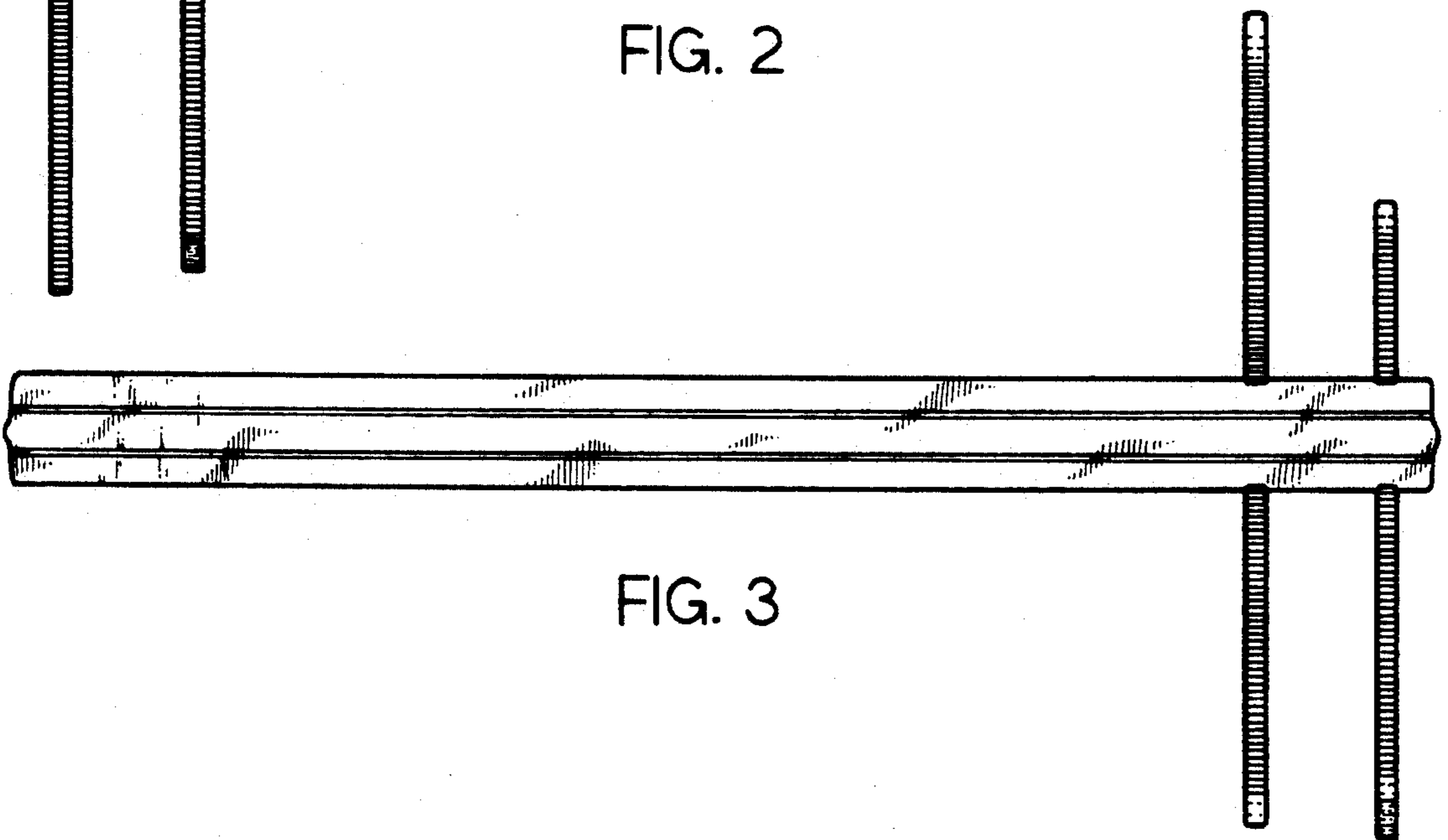


FIG. 3

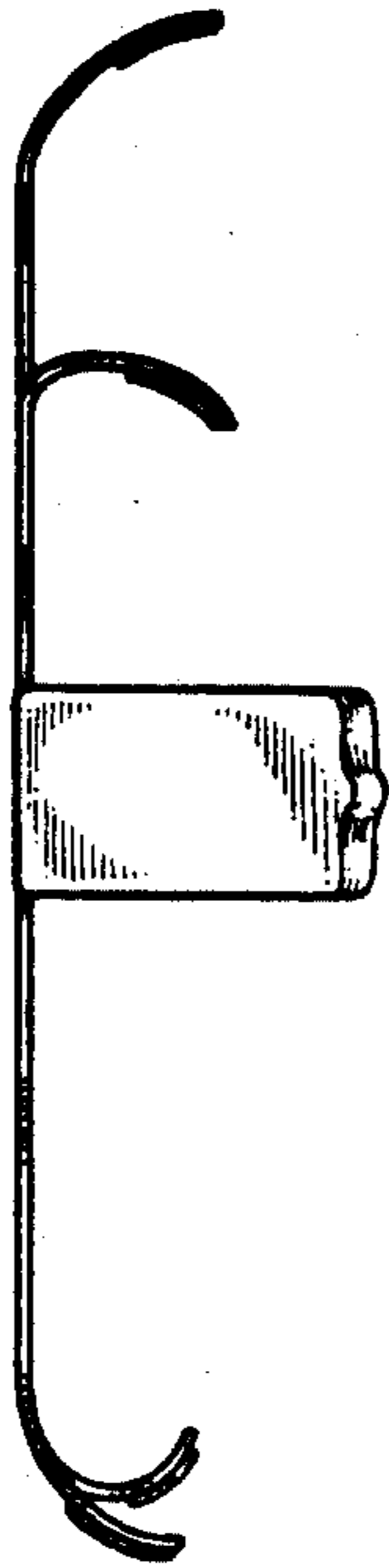


FIG. 4

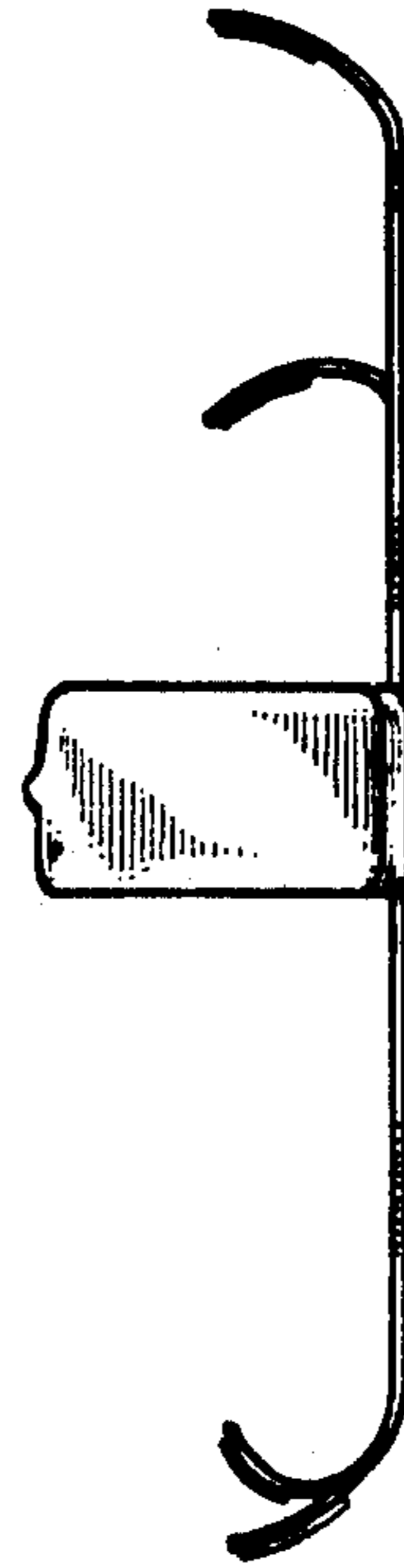


FIG. 5

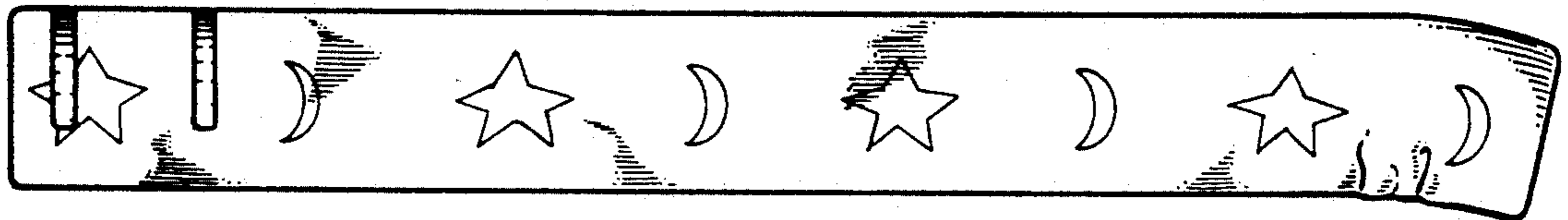


FIG. 6

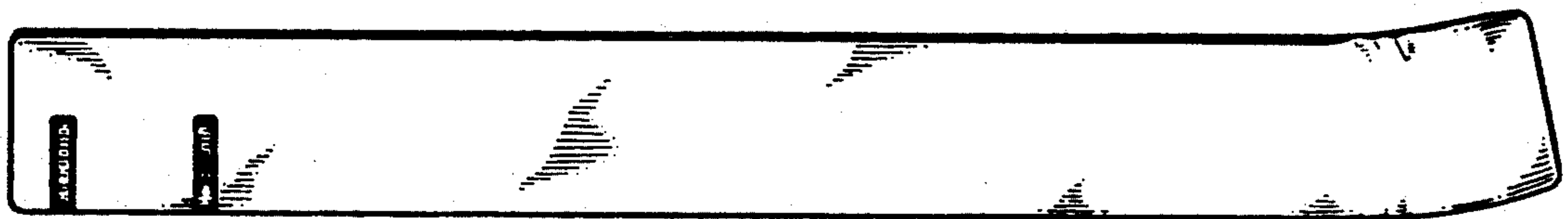


FIG. 7