



US00D339550S

United States Patent [19]

[11] Patent Number: Des. 339,550

Wilder

[45] Date of Patent: ** Sep. 21, 1993

[54] FLOWER POT TRAY UNIT

[76] Inventor: Robert B. Wilder, 1542 Claude La., Anderson, Calif. 96007

[**] Term: 14 Years

[21] Appl. No.: 512,671

[22] Filed: Mar. 27, 1990

[52] U.S. Cl. D11/164

[58] Field of Search D11/164; D7/558, 610, D7/550, 553; 47/66, 71, 79; 206/557

[56] References Cited

U.S. PATENT DOCUMENTS

- D. 229,486 12/1973 Roper D7/550
- D. 259,870 7/1981 Marantette D11/164

- D. 283,496 4/1986 Pisarkiewicz D11/164
- 1,699,843 1/1929 Herting D7/354
- 2,770,957 11/1956 Bronson 47/71
- 4,170,303 10/1979 Nolan D7/553

Primary Examiner—B. J. Bullock

[57] CLAIM

The ornamental design for a flower pot tray unit, as shown and described.

DESCRIPTION

FIG. 1 is an isometric view showing the top and one of four like sides of a flower pot tray unit showing my new design;

FIG. 2 is an isometric view showing the bottom and another of the four like sides thereof; and, FIG. 3 is a side elevational view thereof.

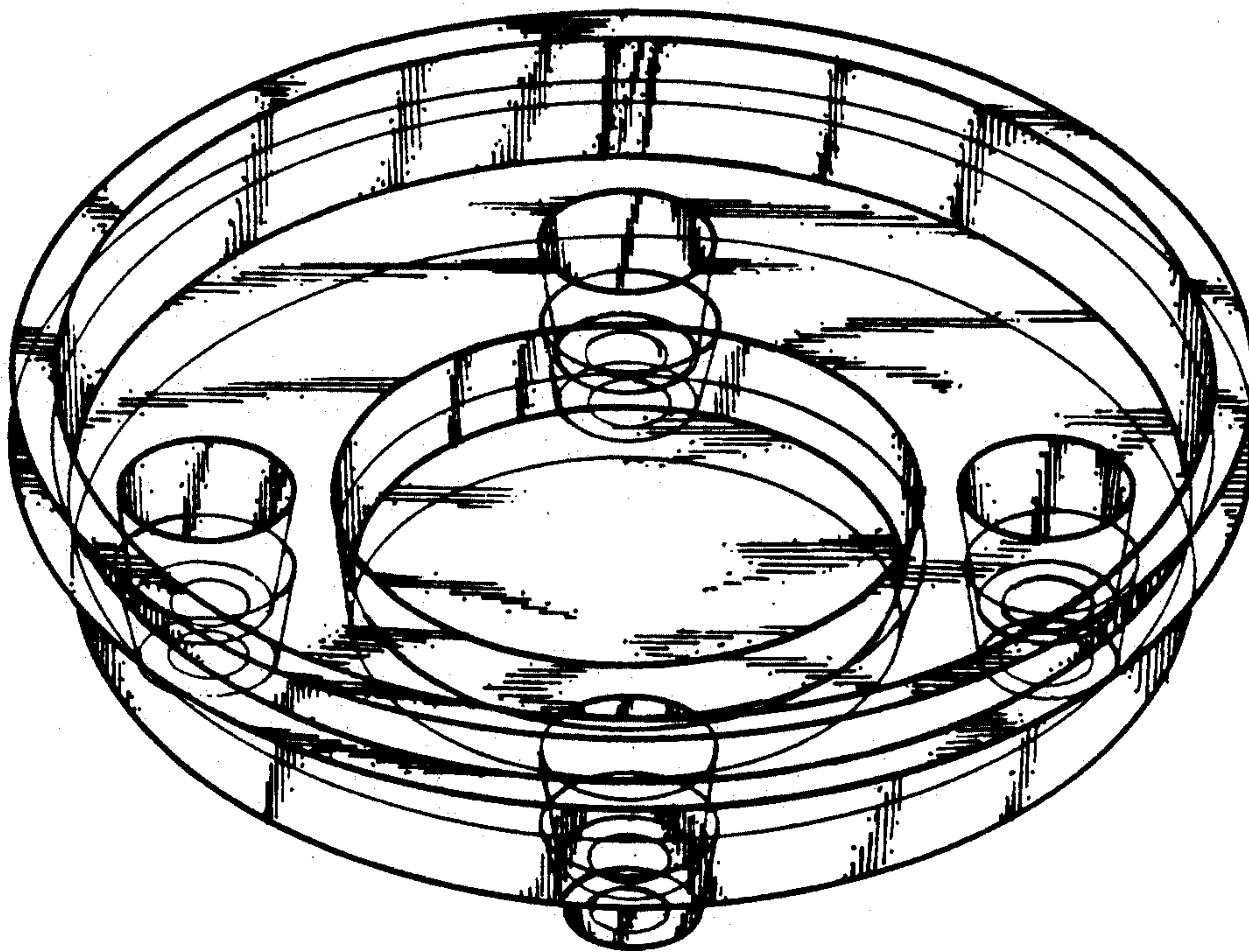


Fig. 1.

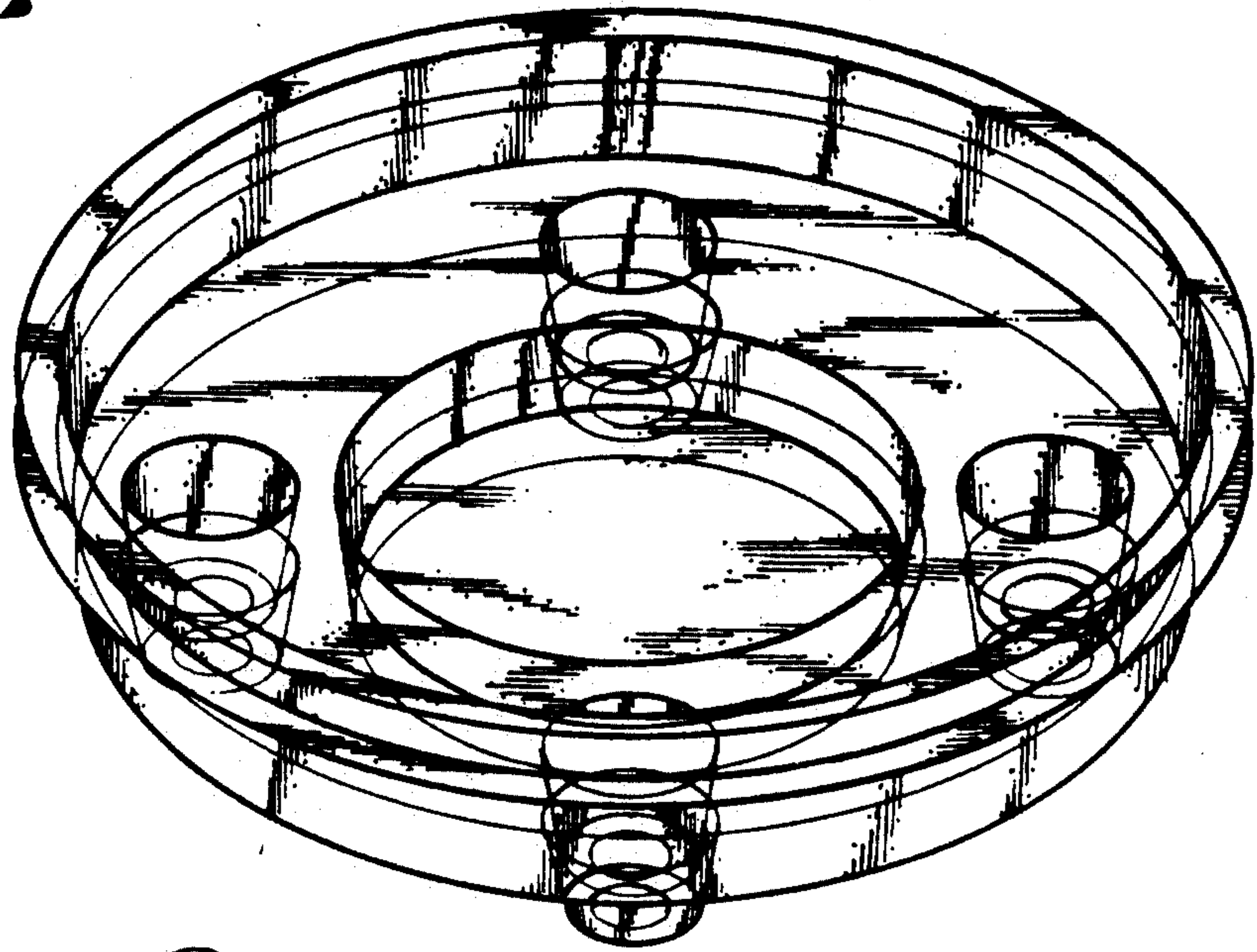


Fig. 2.

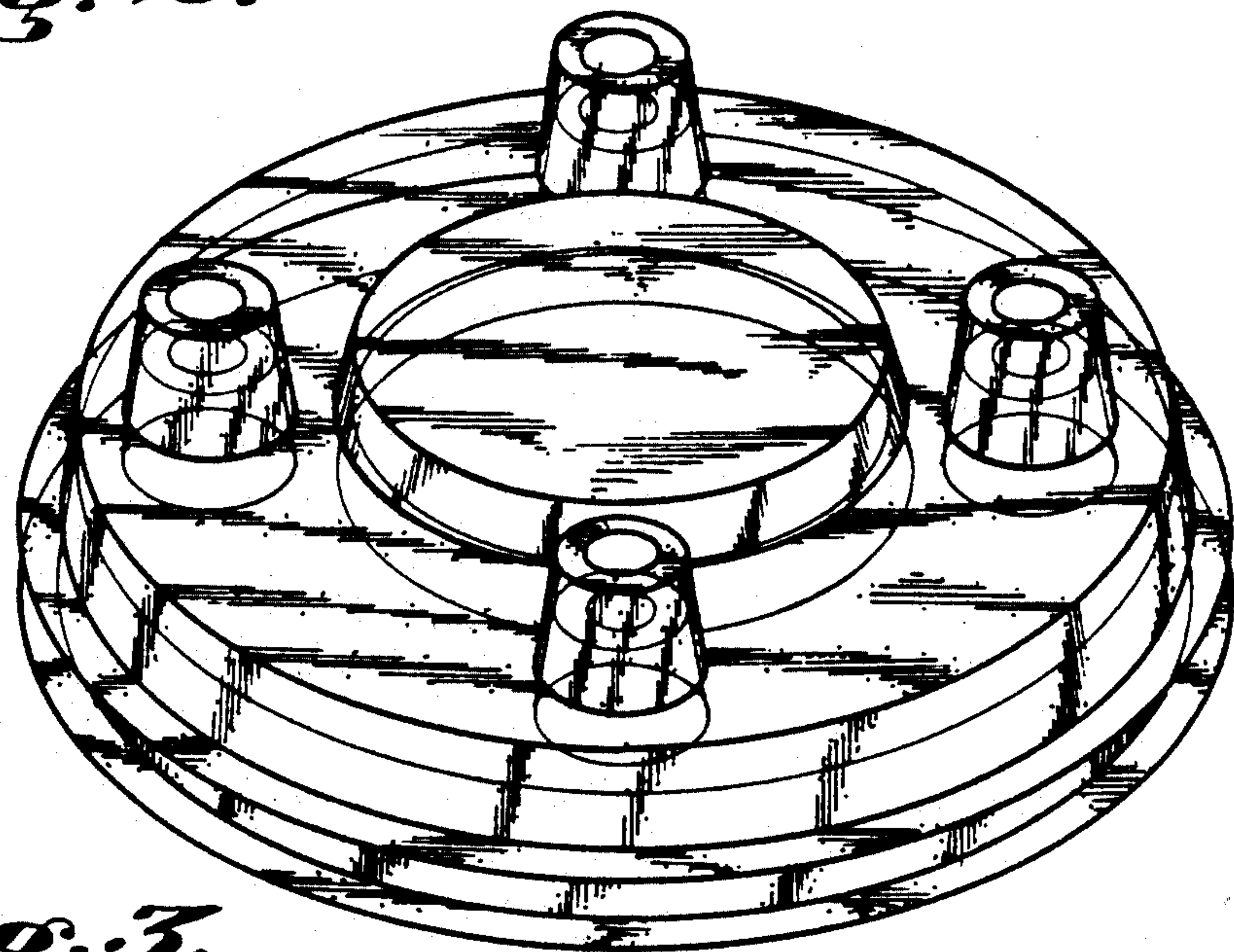


Fig. 3.

