



US00D339549S

United States Patent [19]

[11] Patent Number: **Des. 339,549**

Hermanson

[45] Date of Patent: **** Sep. 21, 1993**

[54] **CHRISTMAS TREE STAND**

2,189,687 2/1940 Thomas D11/130.1 X
2,840,331 6/1958 Clifton D11/130.1 X
3,820,749 6/1974 Leonard et al. D11/130.1 X

[75] Inventor: **Terry Hermanson, New York, N.Y.**

[73] Assignee: **Mr. Christmas, Inc., New York, N.Y.**

[**] Term: **14 Years**

Primary Examiner—Bernard Ansher
Assistant Examiner—Dominic Simone
Attorney, Agent, or Firm—Cohen, Pontani, Lieberman,
Pavane

[21] Appl. No.: **839,240**

[22] Filed: **Feb. 20, 1992**

[52] U.S. Cl. **D11/130.1**

[58] Field of Search **D11/130.1; 248/511,
248/519, 523, 526; 47/40.5**

[57] **CLAIM**

The ornamental design for Christmas tree stand, as shown as described.

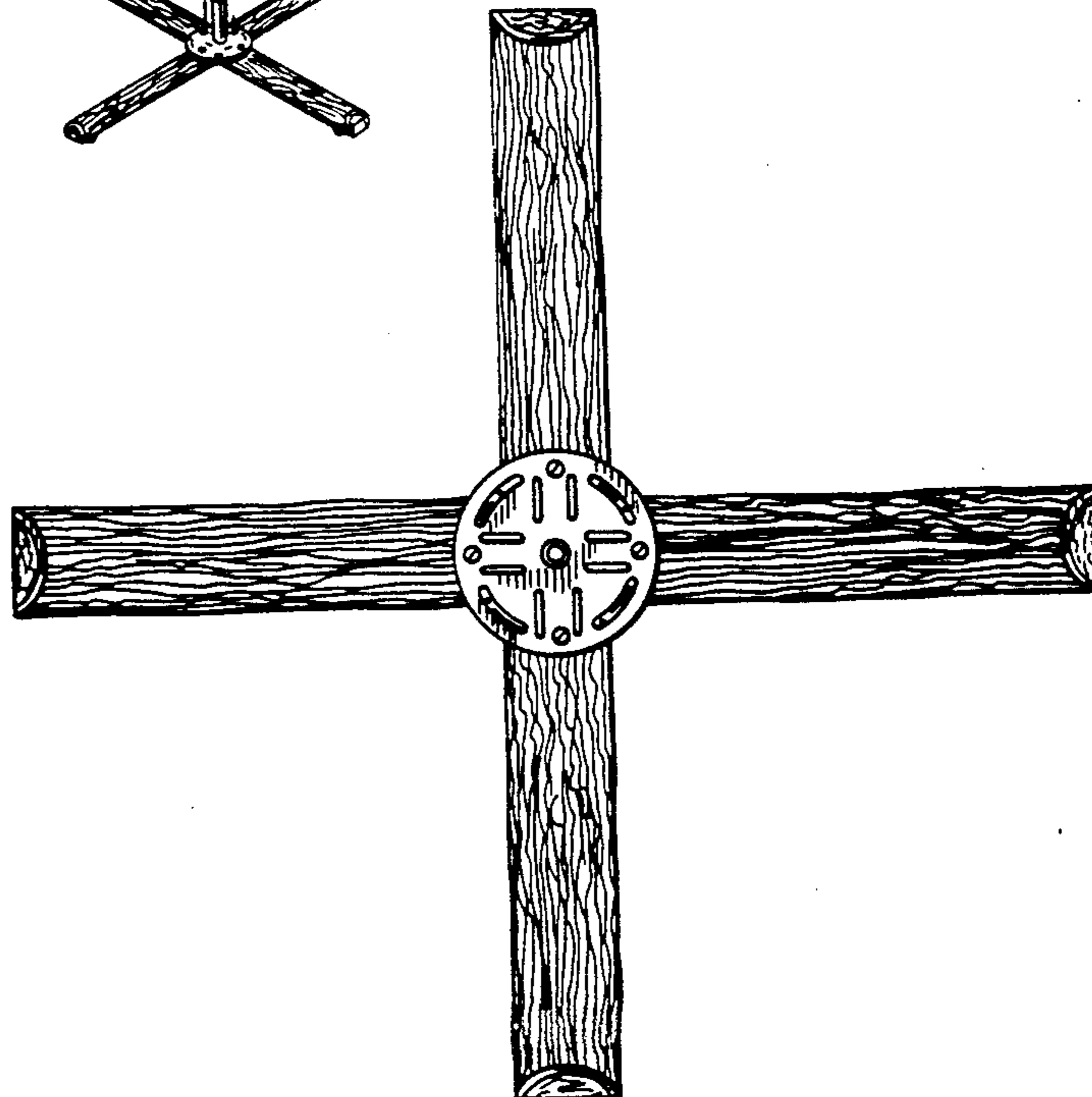
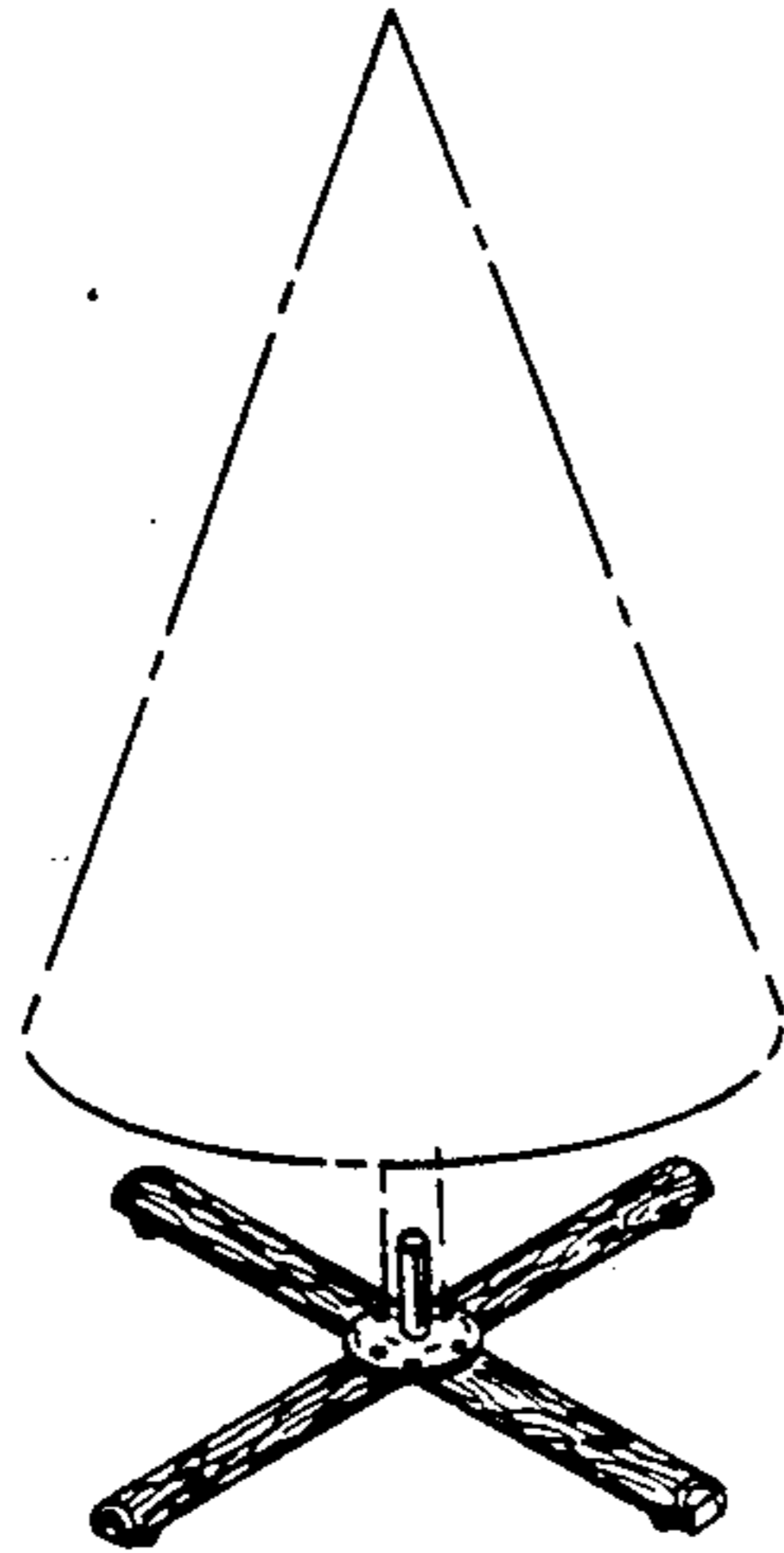
DESCRIPTION

FIG. 1 is a perspective view of a Christmas tree stand showing my new design, the artificial Christmas tree shown in broken lines for illustrative purposes only; FIG. 2 is an enlarged top plan view thereof; FIG. 3 is an enlarged side elevational view thereof; and, FIG. 4 is an enlarged bottom plan view thereof.

[56] **References Cited**

U.S. PATENT DOCUMENTS

D. 58,830 8/1921 Roesler D11/130.1
D. 268,460 4/1983 Ives D11/130.1
646,364 3/1900 Donnelly 248/523
952,655 3/1910 Wagner .



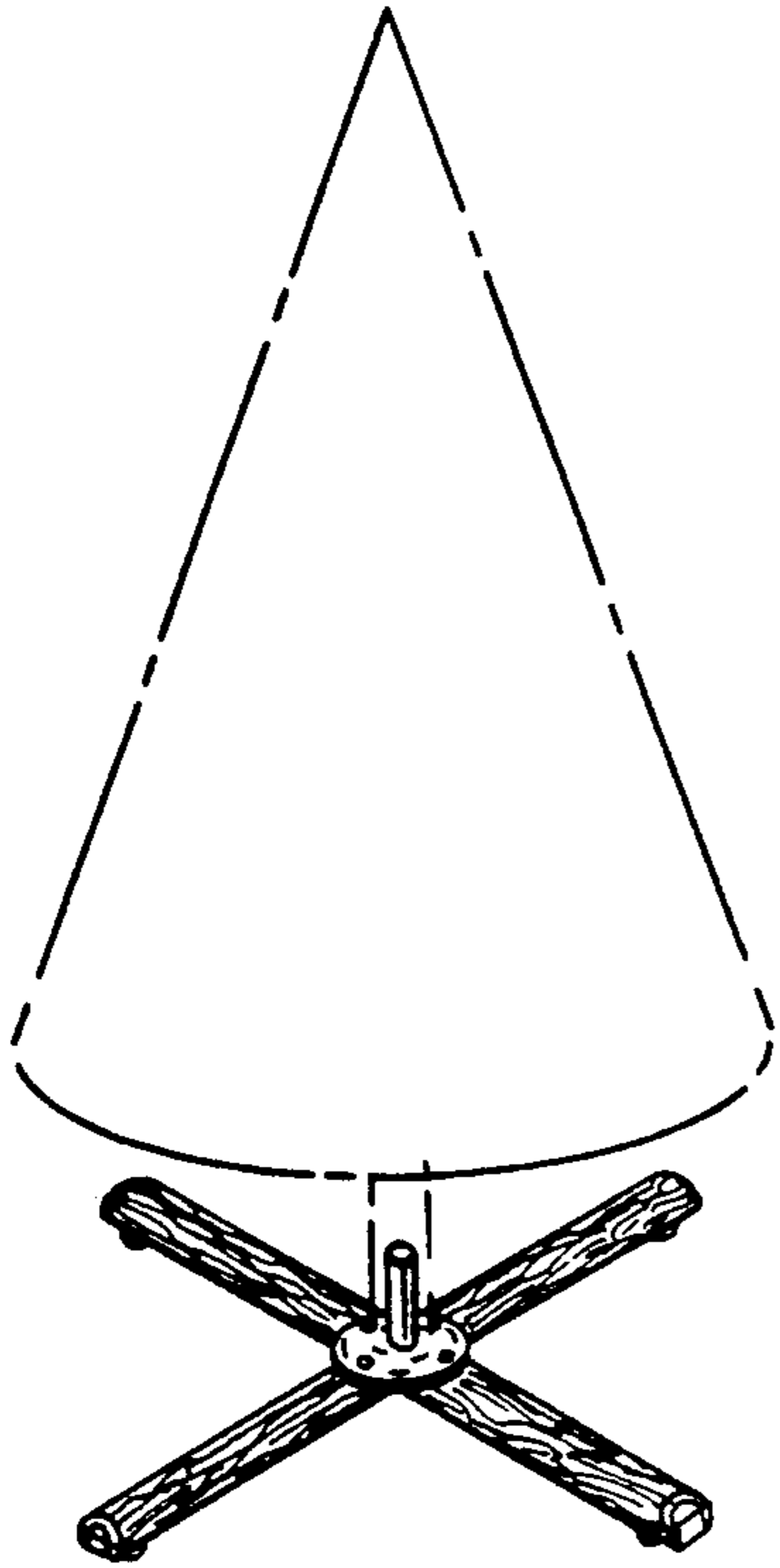


FIG. 1

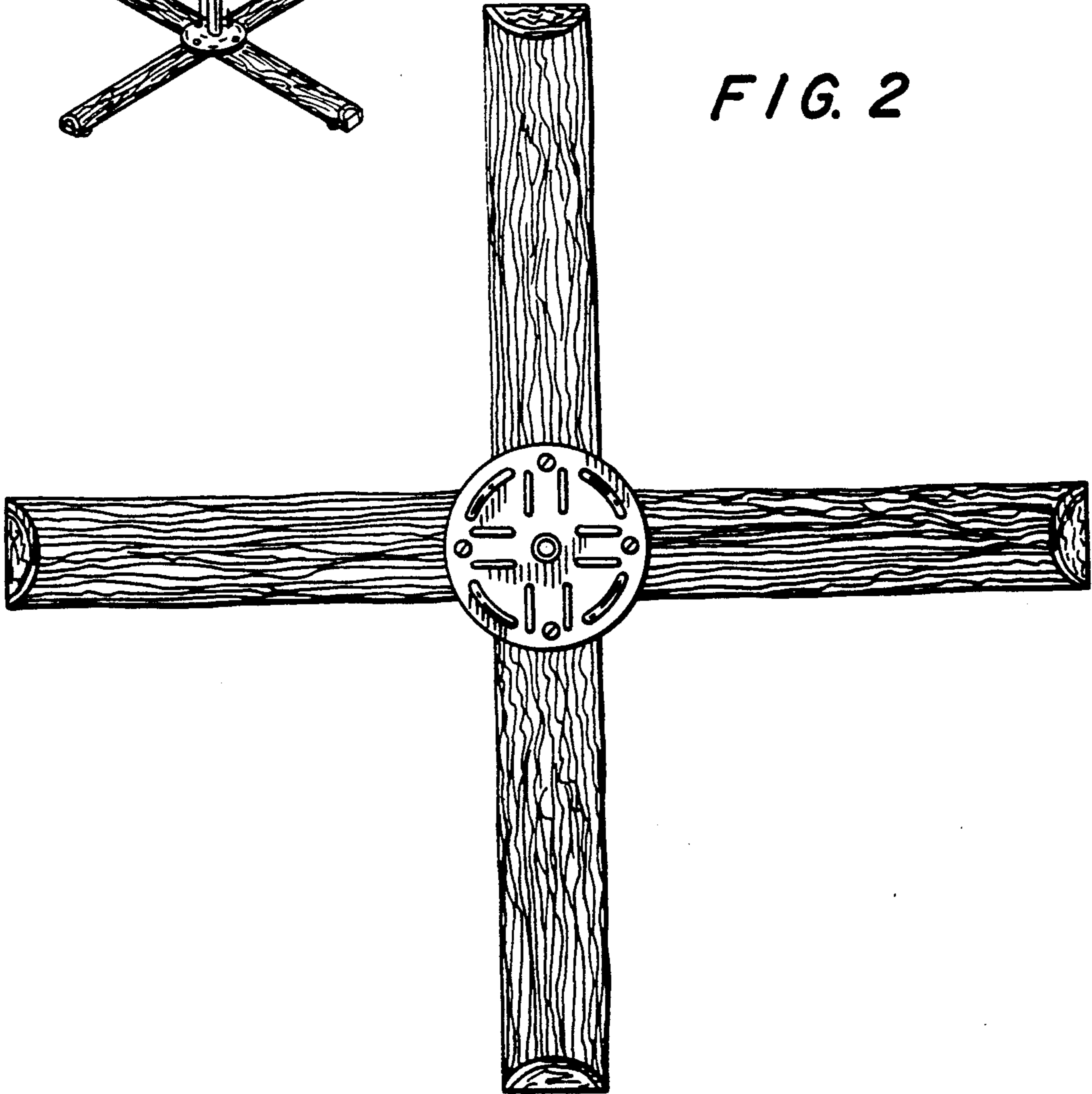


FIG. 2

FIG. 3

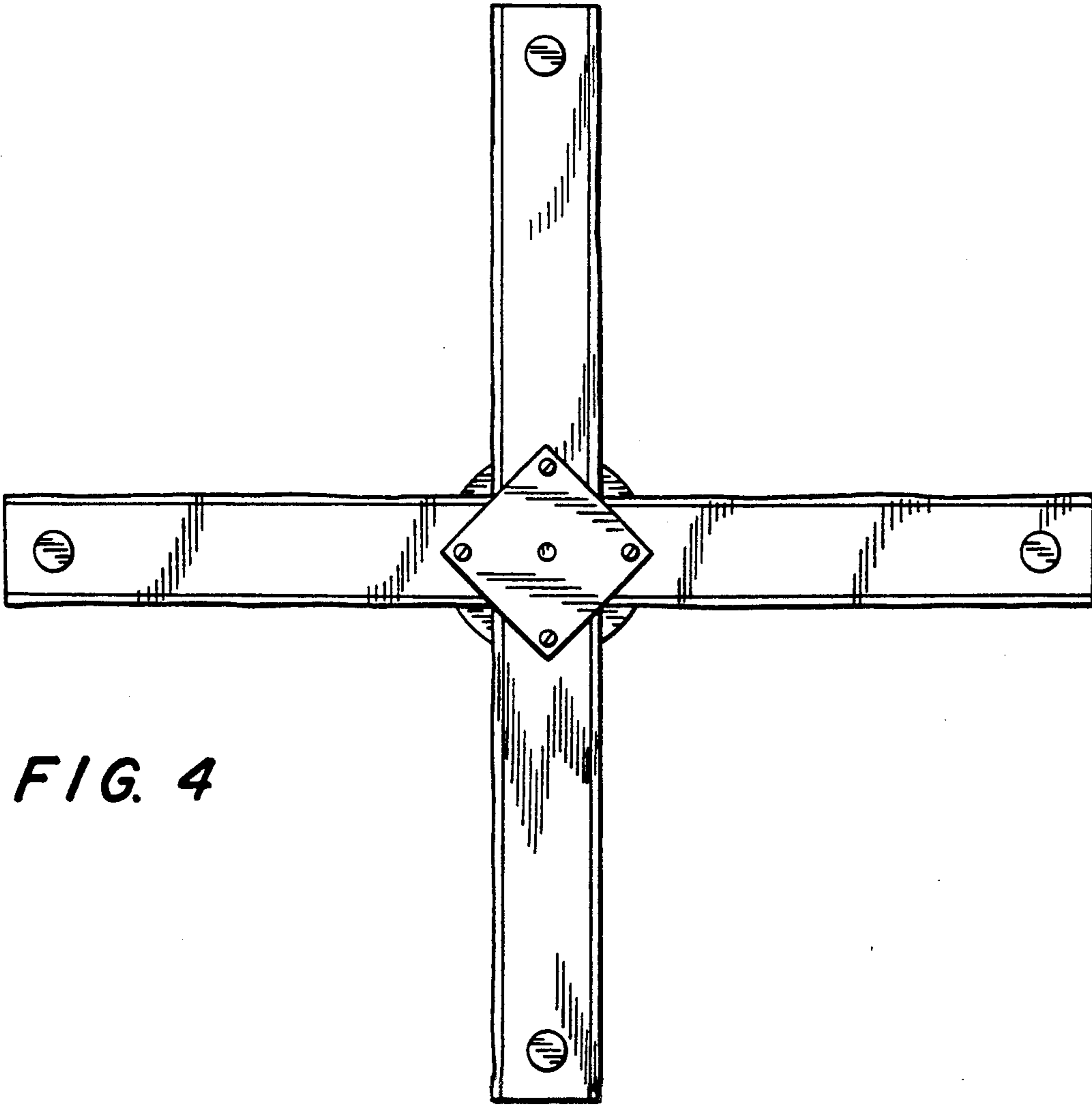
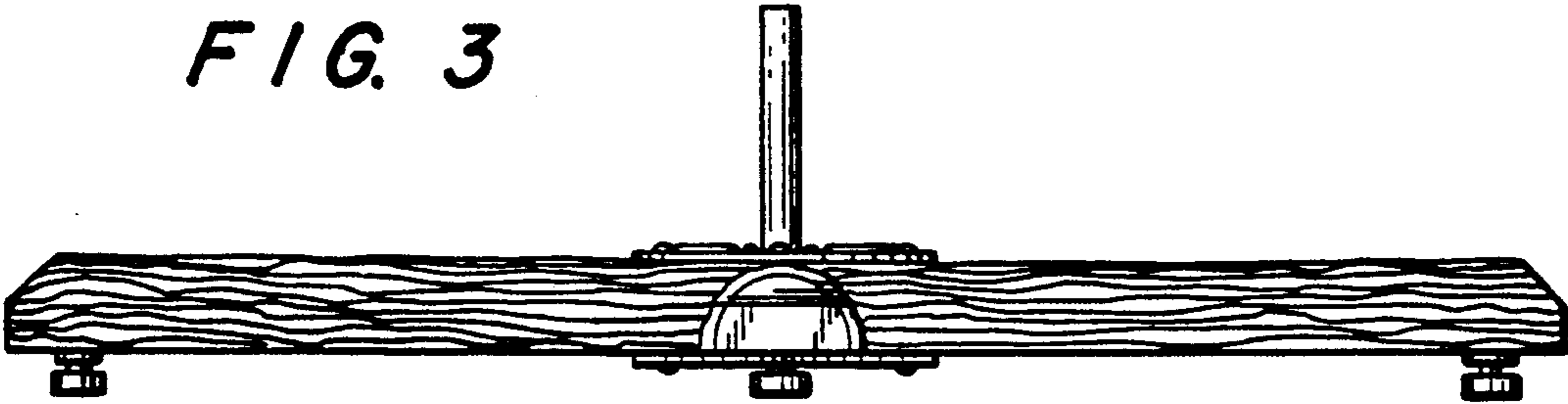


FIG. 4