



US00D339544S

United States Patent [19]

[11] Patent Number: **Des. 339,544**

Sone

[45] Date of Patent: **** Sep. 21, 1993**

[54] AUDIBLE SIGNAL FOR ALARM UNITS

[75] Inventor: **Takahiro Sone, Shizuoka, Japan**

[73] Assignee: **Star Micronics Co., Ltd., Shizuoka, Japan**

[**] Term: **14 Years**

[21] Appl. No.: **936,549**

[22] Filed: **Aug. 31, 1992**

[30] Foreign Application Priority Data

Mar. 6, 1992 [JP] Japan 4-6518

[52] U.S. Cl. **D10/116; D10/106**

[58] Field of Search **D10/104, 116, 117, 118, D10/121; 340/384 R, 384 E, 386, 392, 393, 404, 405, 406, 407; D13/152, 156, 182, 184; 361/392, 395**

[56] References Cited

U.S. PATENT DOCUMENTS

| | | | |
|------------|---------|-------------------------|-----------|
| D. 201,593 | 7/1965 | Stevenson | D10/118 |
| D. 264,196 | 5/1982 | Doggart | D10/118 |
| 2,984,832 | 5/1961 | Gilman, III et al. | 340/392 |
| 3,251,056 | 5/1966 | Doggart | 340/392 |
| 4,075,626 | 2/1978 | Sakaguchi et al. | 340/392 |
| 4,115,770 | 9/1978 | Kanazawa | 340/392 |
| 4,303,908 | 12/1981 | Enemark et al. | 340/384 E |
| 4,366,472 | 12/1982 | Ishii | 340/392 |

OTHER PUBLICATIONS

Burndy Electronic Products p. 31 Nov. 1986 (center of page-connector).

Primary Examiner—Wallace R. Burke
Assistant Examiner—Marcus Jackson
Attorney, Agent, or Firm—Pollock, VandeSande & Priddy

[57] CLAIM

The ornamental design for an audible signal for alarm units, as shown and described.

DESCRIPTION

FIG. 1 is a perspective view of an audible signal for alarm units showing my new design;
 FIG. 2 is a front elevational view thereof;
 FIG. 3 is a top plan view thereof;
 FIG. 4 is a left side elevational view thereof (of which a right side elevational view would be a mirror image);
 FIG. 5 is a rear elevational view thereof;
 FIG. 6 is a bottom plan view thereof;
 FIG. 7 is a cross-sectional view thereof taken on line 7—7 of FIG. 2, an internal mechanism of which is not shown;
 FIG. 8 is a cross-sectional view thereof taken on line 8—8 of FIG. 6, an internal mechanism of which is not shown;
 FIG. 9 is a cross-sectional view thereof taken on line 9—9 of FIG. 6, an internal mechanism of which is not shown; and,
 FIG. 10 is a cross-sectional view thereof taken on line 10—10 of FIG. 6, an internal mechanism of which is not shown.

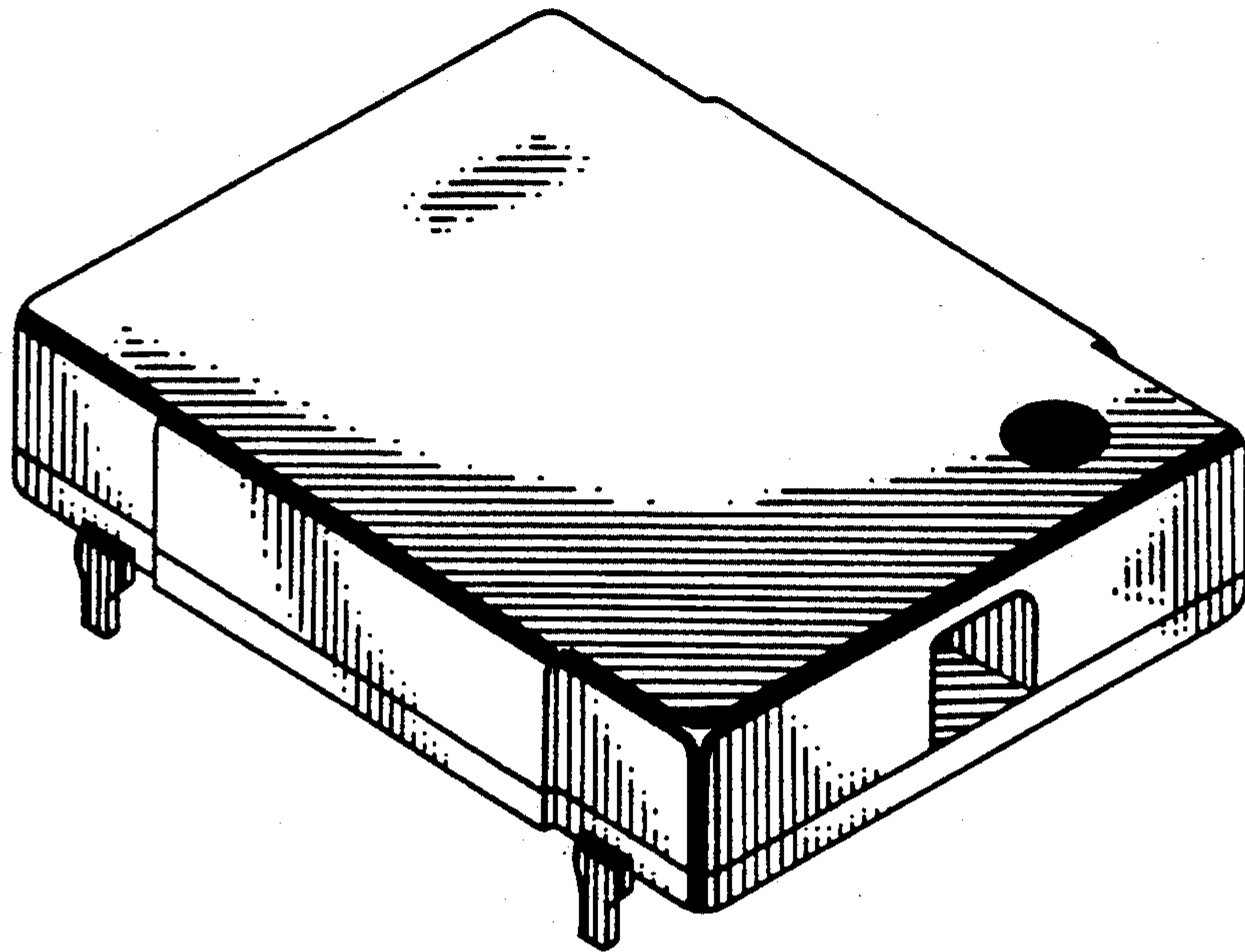


FIG. 1

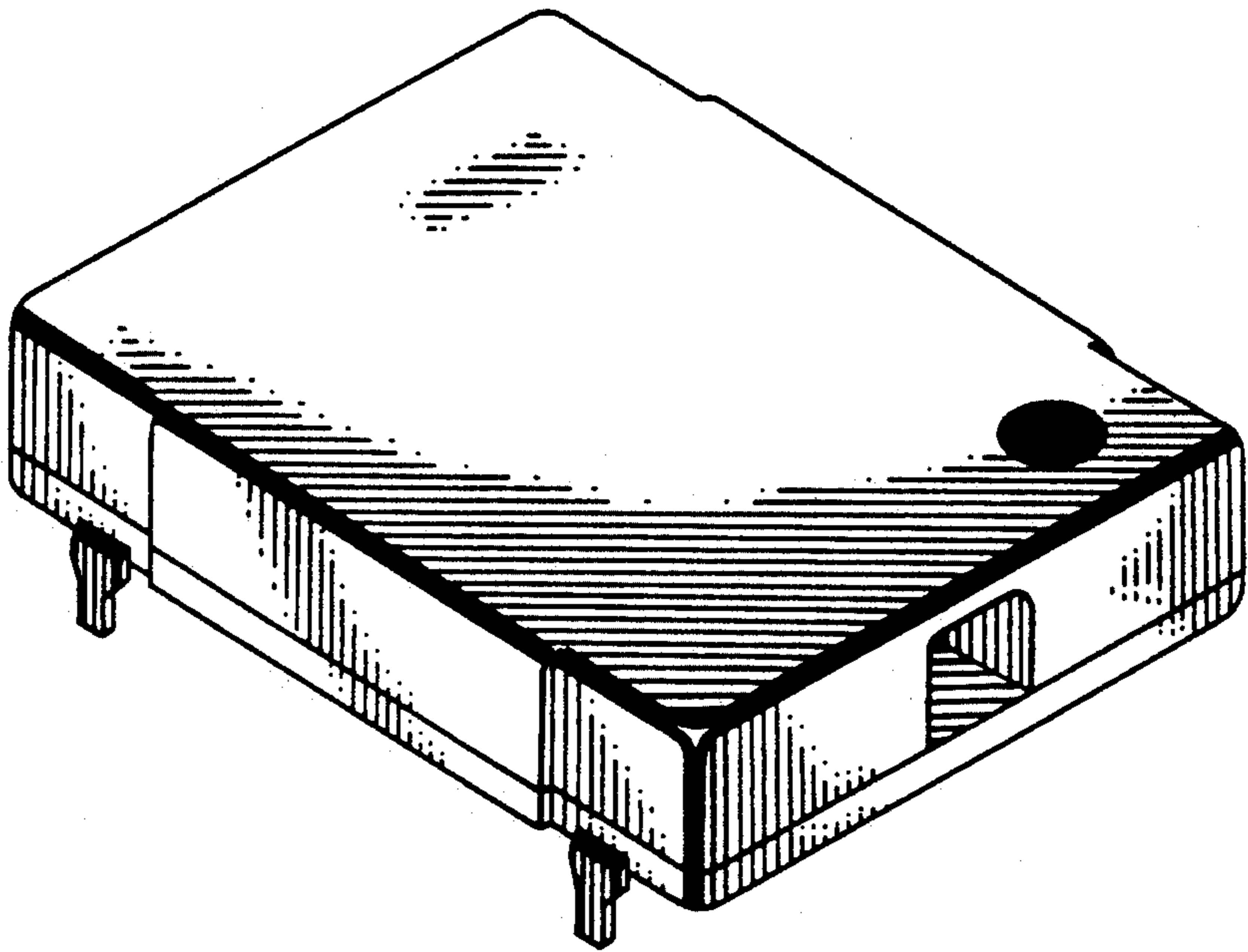


FIG. 2

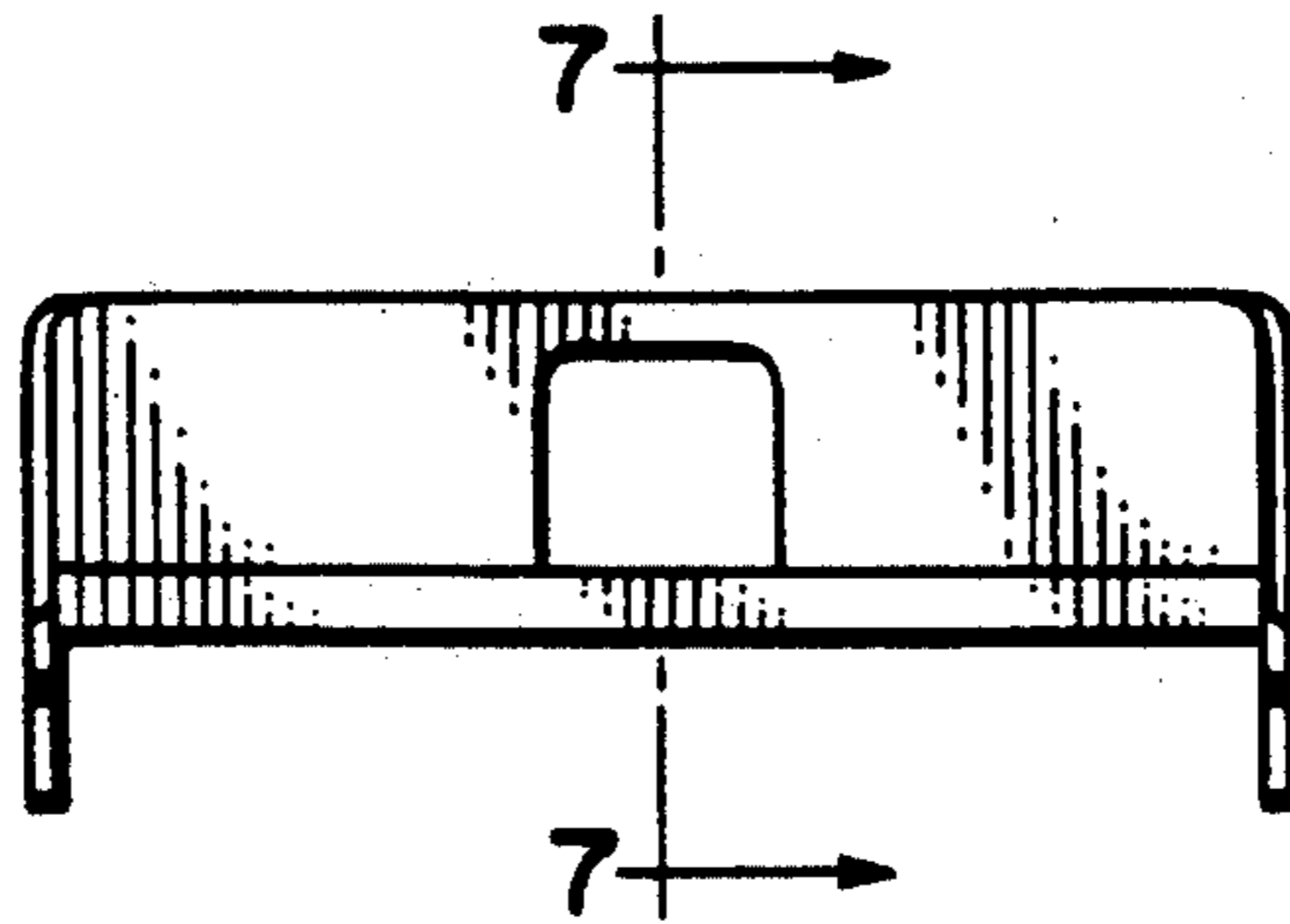


FIG. 3

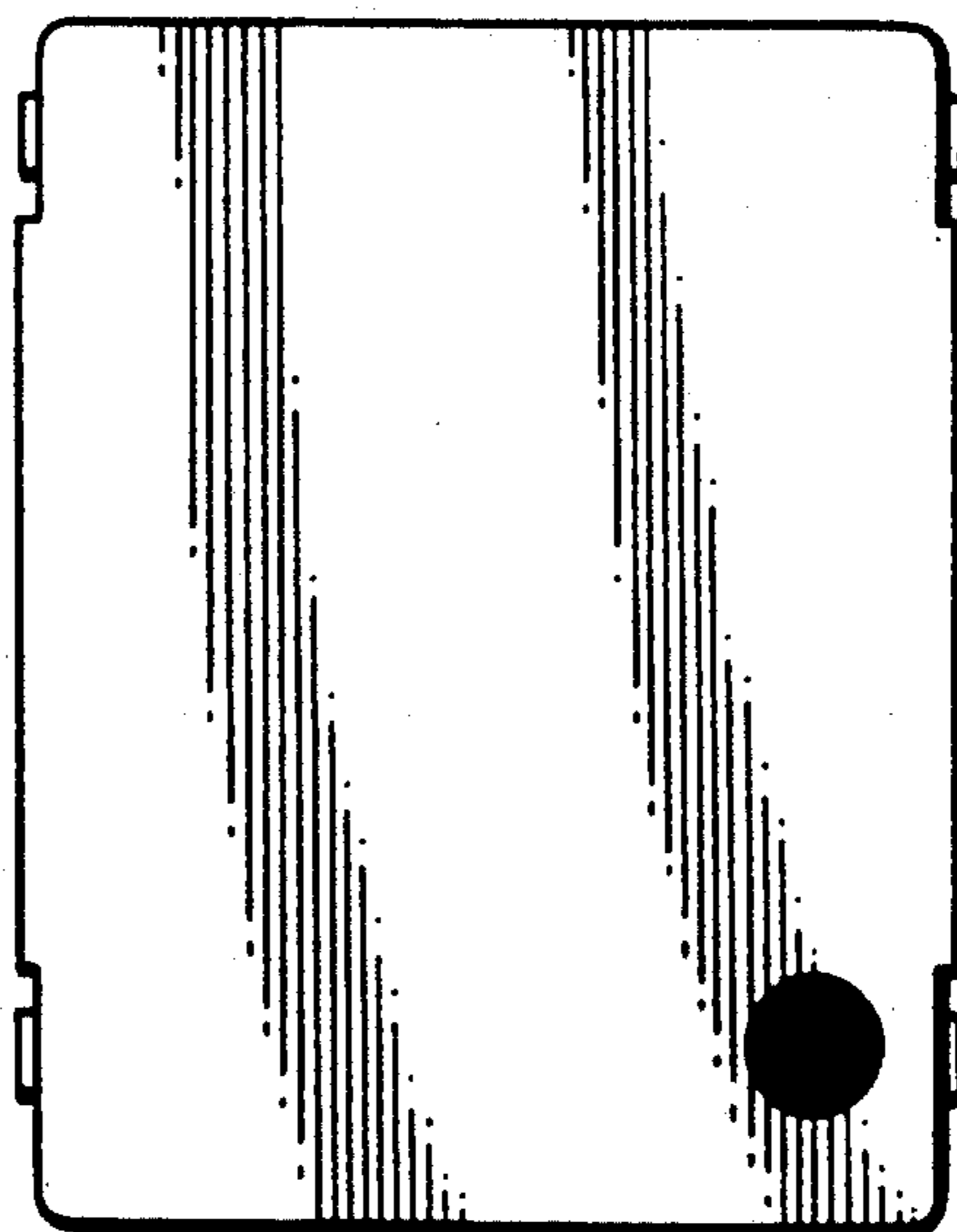


FIG. 4

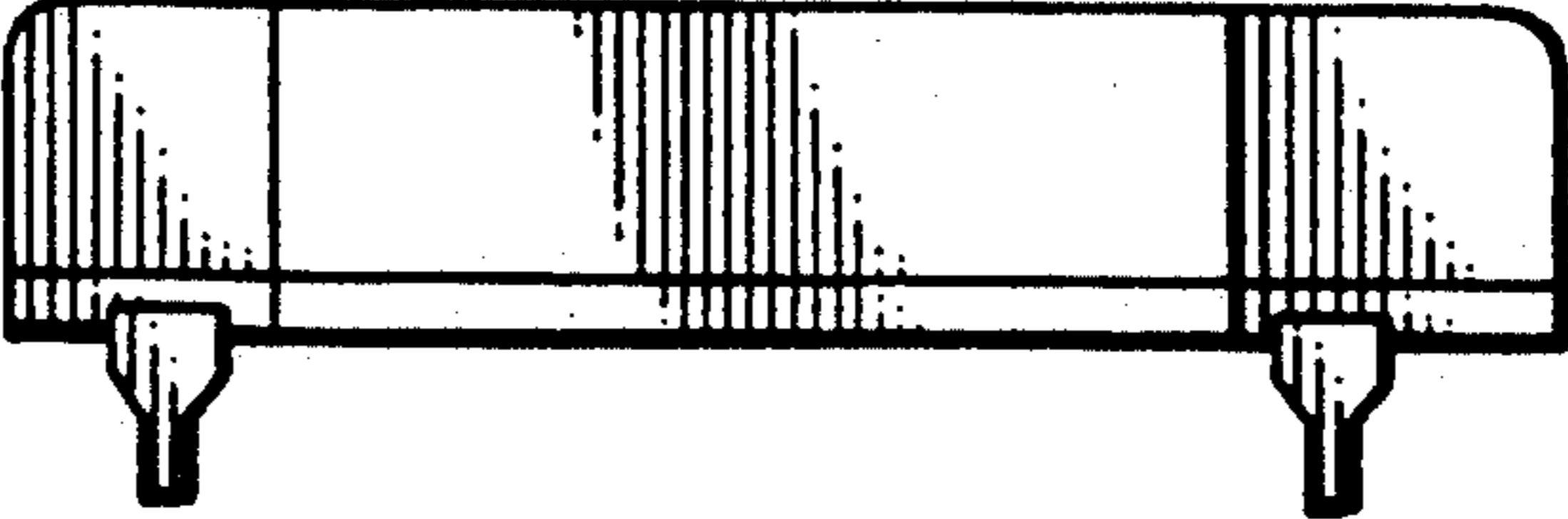


FIG. 5

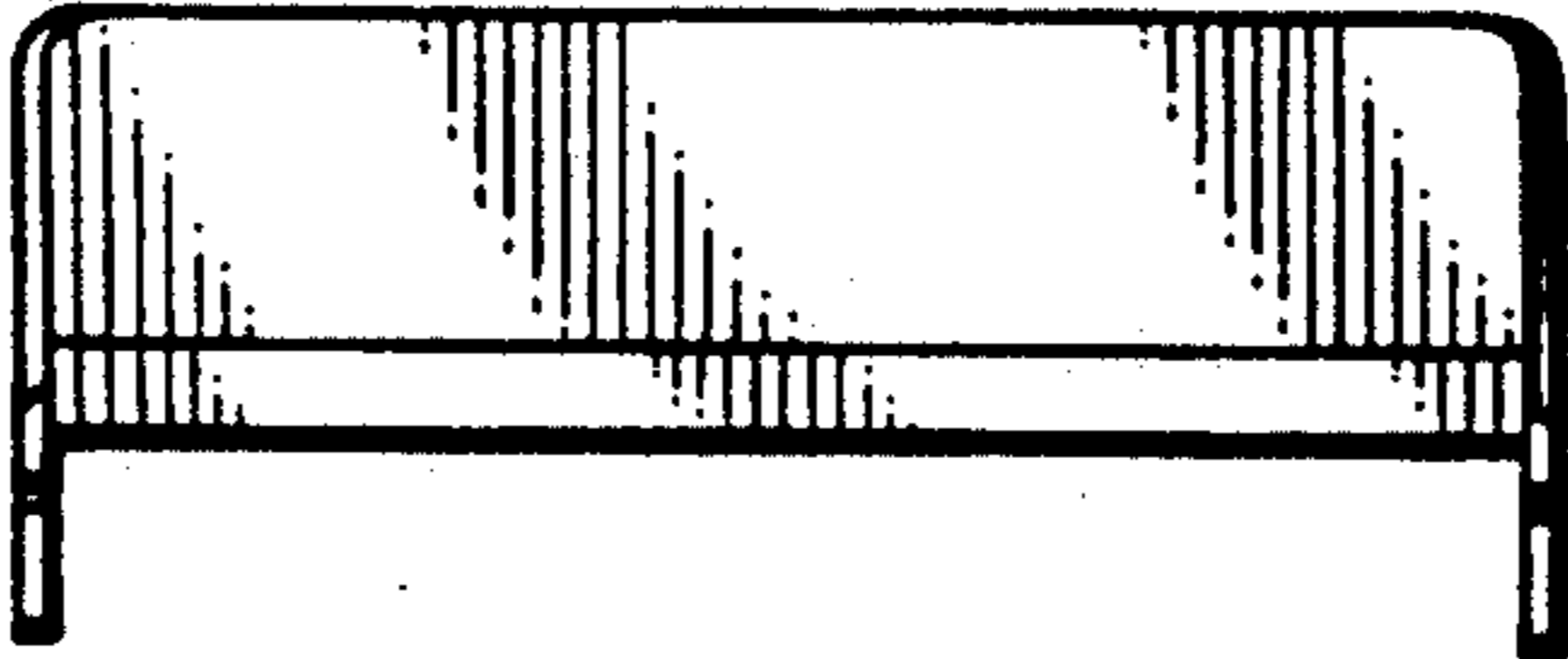


FIG. 6

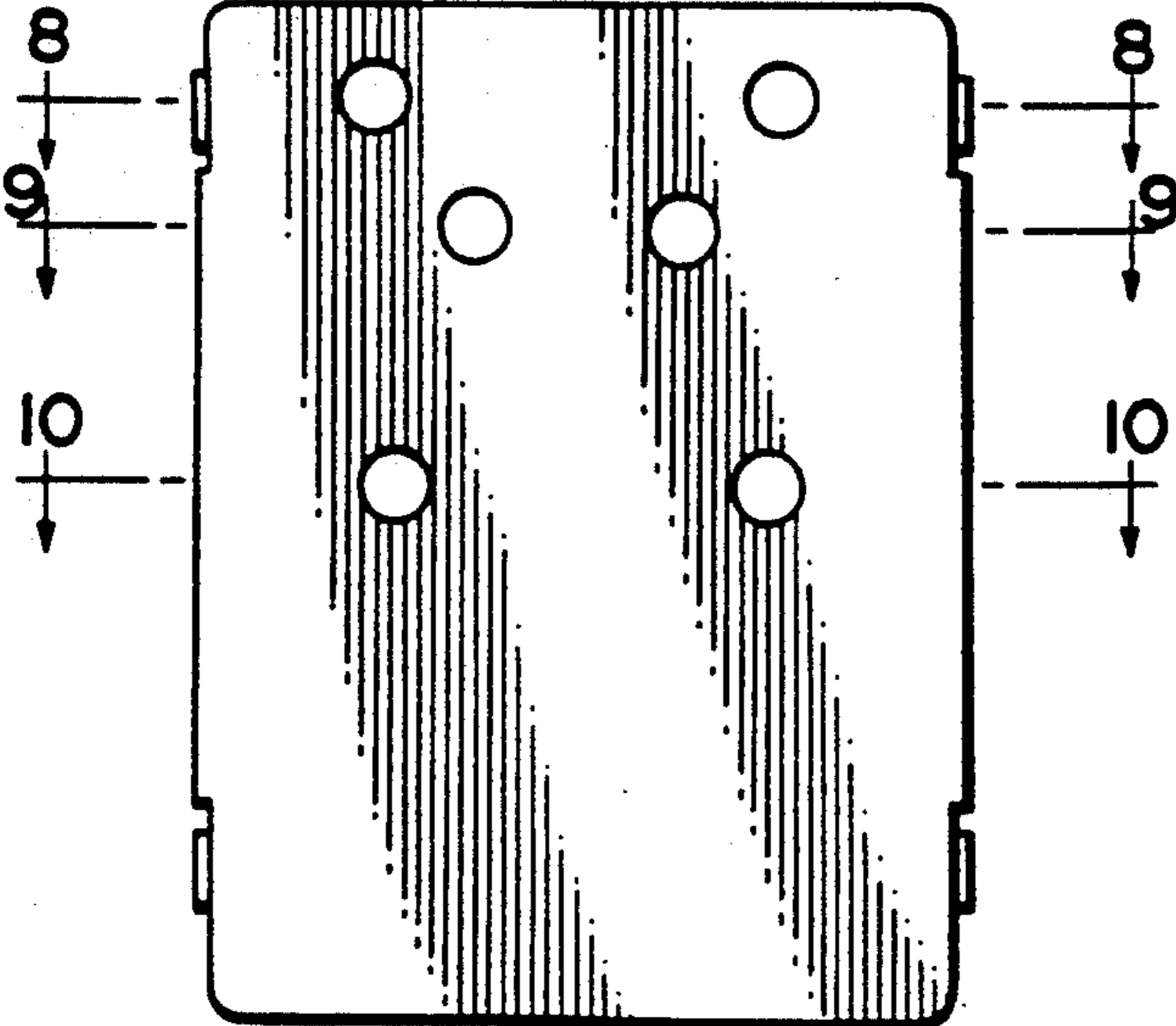


FIG. 7

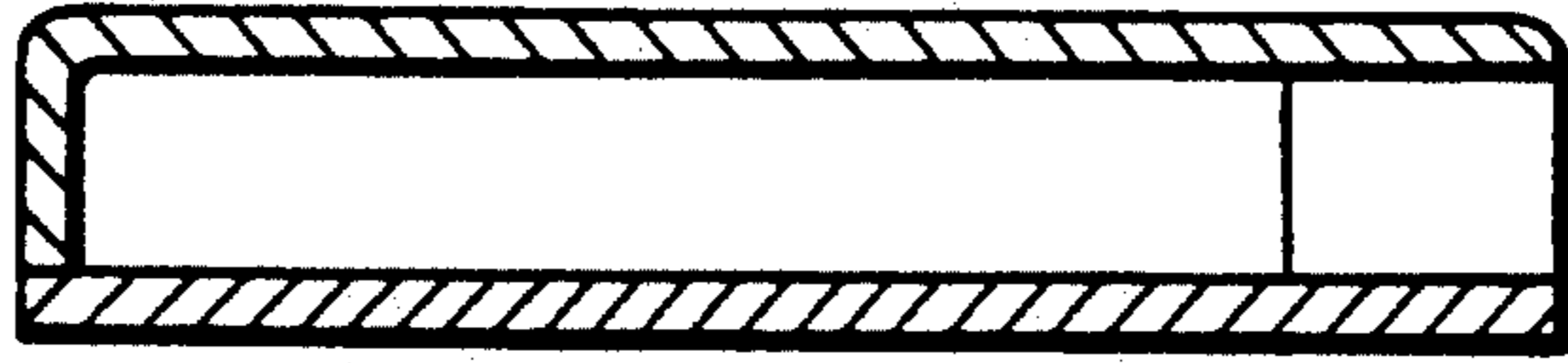


FIG. 8

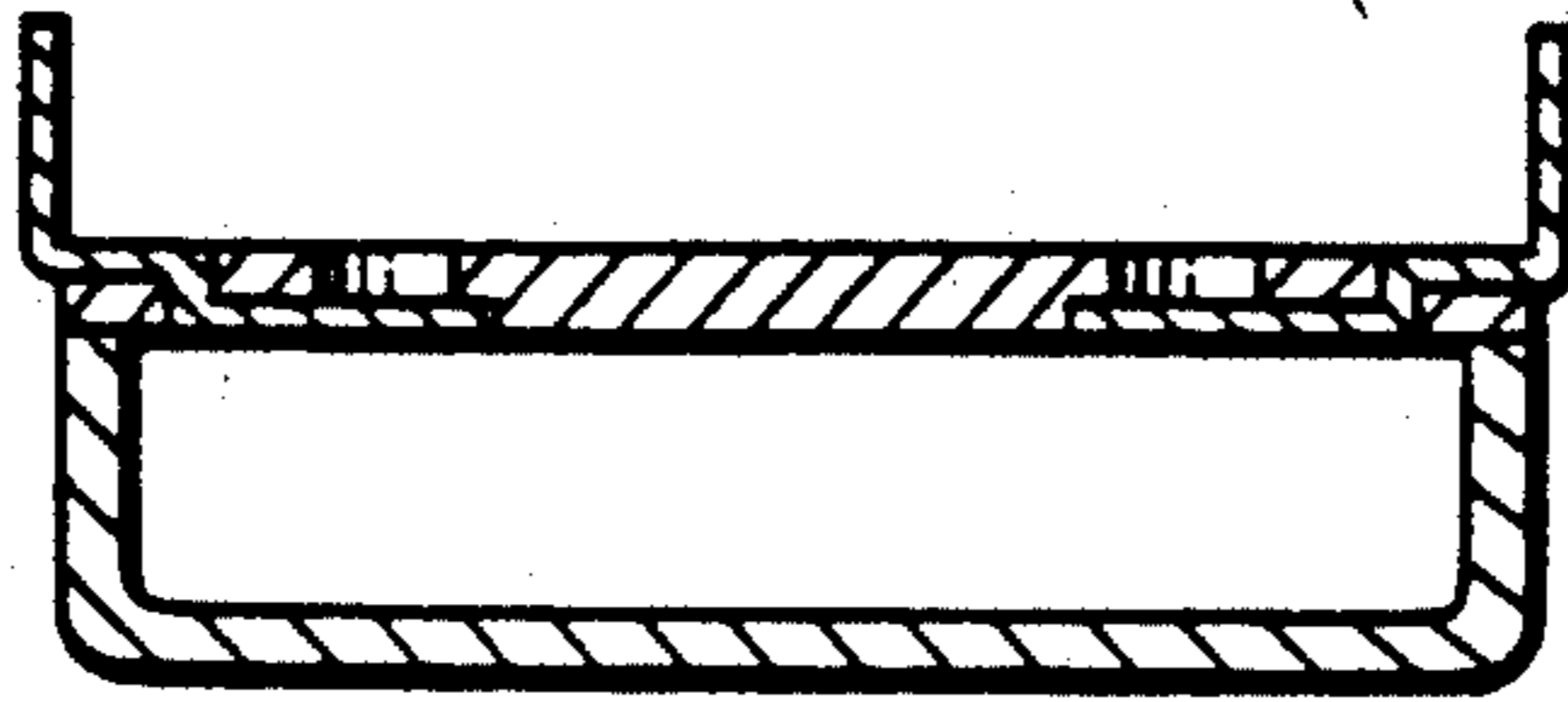


FIG. 9

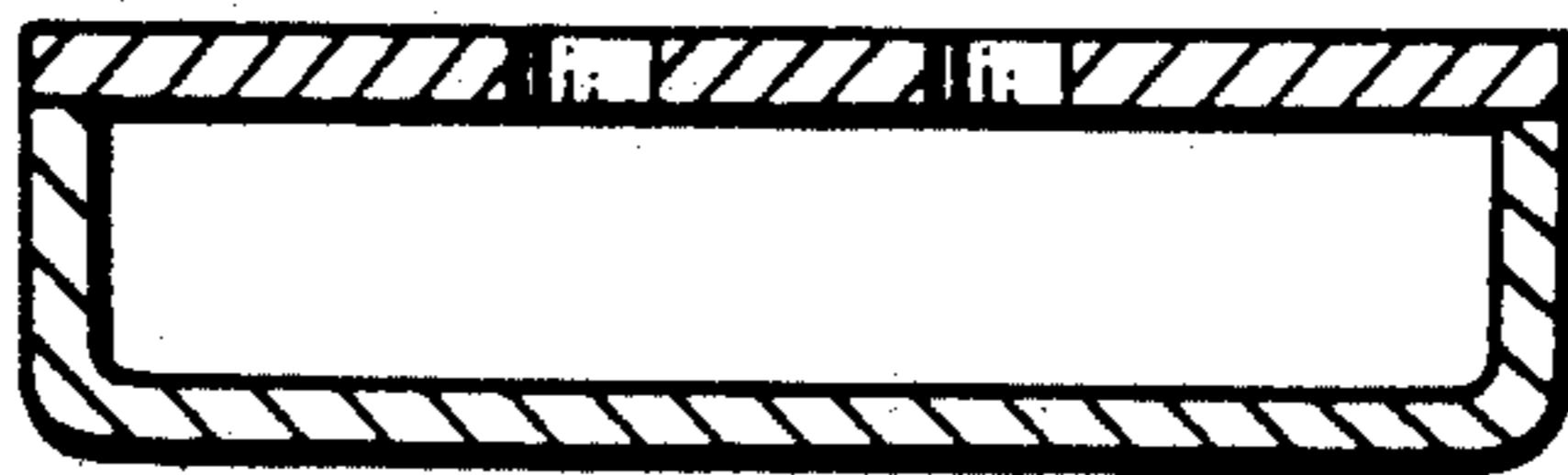


FIG. 10

