



US00D339540S

United States Patent [19]

[11] Patent Number: Des. 339,540

Chapelsky

[45] Date of Patent: ** Sep. 21, 1993

[54] **COMBINED TRANSMITTER AND RECEIVER FOR CHILD MONITORING AND RECHARGER THEREFOR**

[75] Inventor: Lev Chapelsky, San Francisco, Calif.

[73] Assignee: A & H International, Inc., Honolulu, Hi.

[**] Term: 14 Years

[21] Appl. No.: 857,793

[22] Filed: Mar. 24, 1992

[52] U.S. Cl. D10/106

[58] Field of Search D10/104, 106, 121; 340/540, 548, 571, 572, 573

[56] **References Cited**

U.S. PATENT DOCUMENTS

D. 234,920	4/1975	Koster	D10/106
D. 237,893	12/1975	Wennerstrom	D10/106
D. 312,222	11/1990	Sawyer	D10/106
5,115,223	5/1992	Moody	340/573

Primary Examiner—Wallace R. Burke

Assistant Examiner—Marcus Jackson

Attorney, Agent, or Firm—Martin E. Hsia

[57] **CLAIM**

The ornamental design for a combined transmitter and receiver for child monitoring and recharger therefor, as shown and described.

DESCRIPTION

FIG. 1 is a perspective view of the combined transmitter and receiver for child monitoring and recharger therefor of the present invention, attached to each

other, the broken lines indicating environmental structure and forming no part of the claimed design;

FIG. 2 is a top view thereof;

FIG. 3 is a front view thereof;

FIG. 4 is a rear view thereof;

FIG. 5 is a bottom view thereof;

FIG. 6 is a left side view thereof, the right side view being a mirror image;

FIG. 7 is a right side elevational view of the combined transmitter and receiver portion of thereof, with the opposite side being a mirror image;

FIG. 8 is a top plan view of the transmitter portion thereof;

FIG. 9 is a front view thereof;

FIG. 10 is a side view thereof, the other side view being a mirror image;

FIG. 11 is a rear view thereof;

FIG. 12 is a bottom view thereof;

FIG. 13 is a top plan view of the receiver portion thereof;

FIG. 14 is a front view thereof;

FIG. 15 is a left side view thereof, the right side view being a mirror image;

FIG. 16 is a rear view thereof;

FIG. 17 is a bottom view thereof;

FIG. 18 is a top view of the recharger;

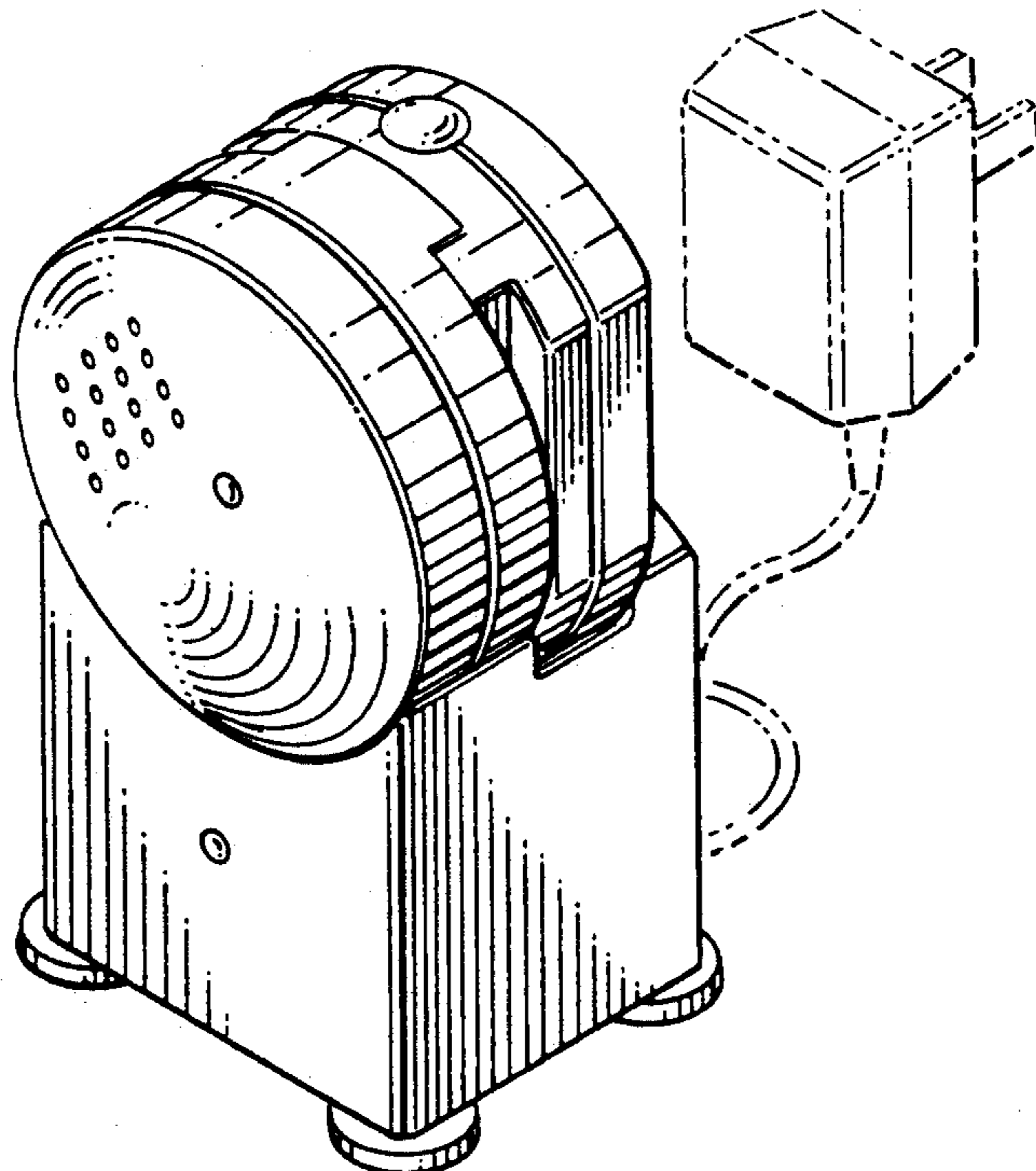
FIG. 19 is a front view thereof;

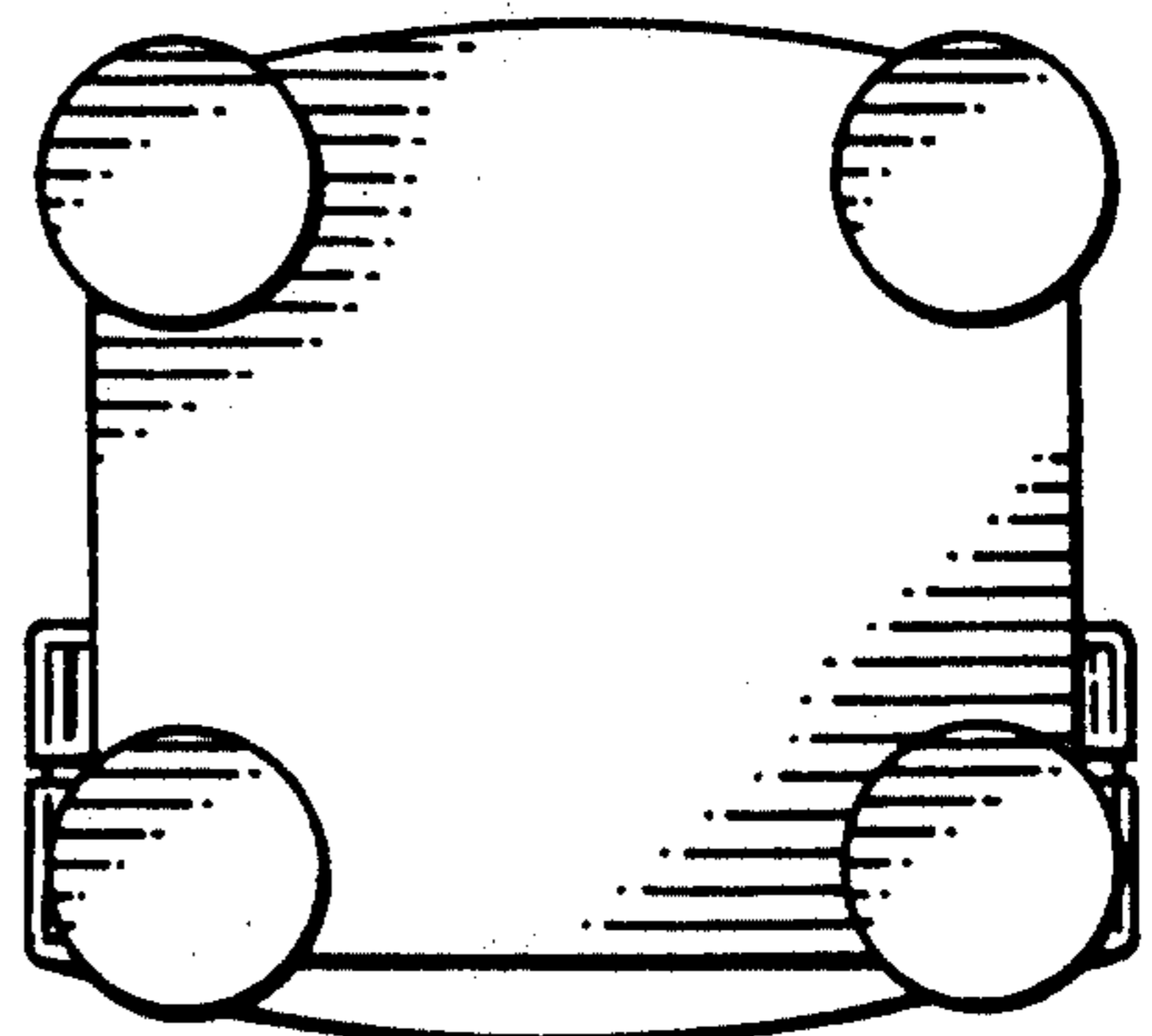
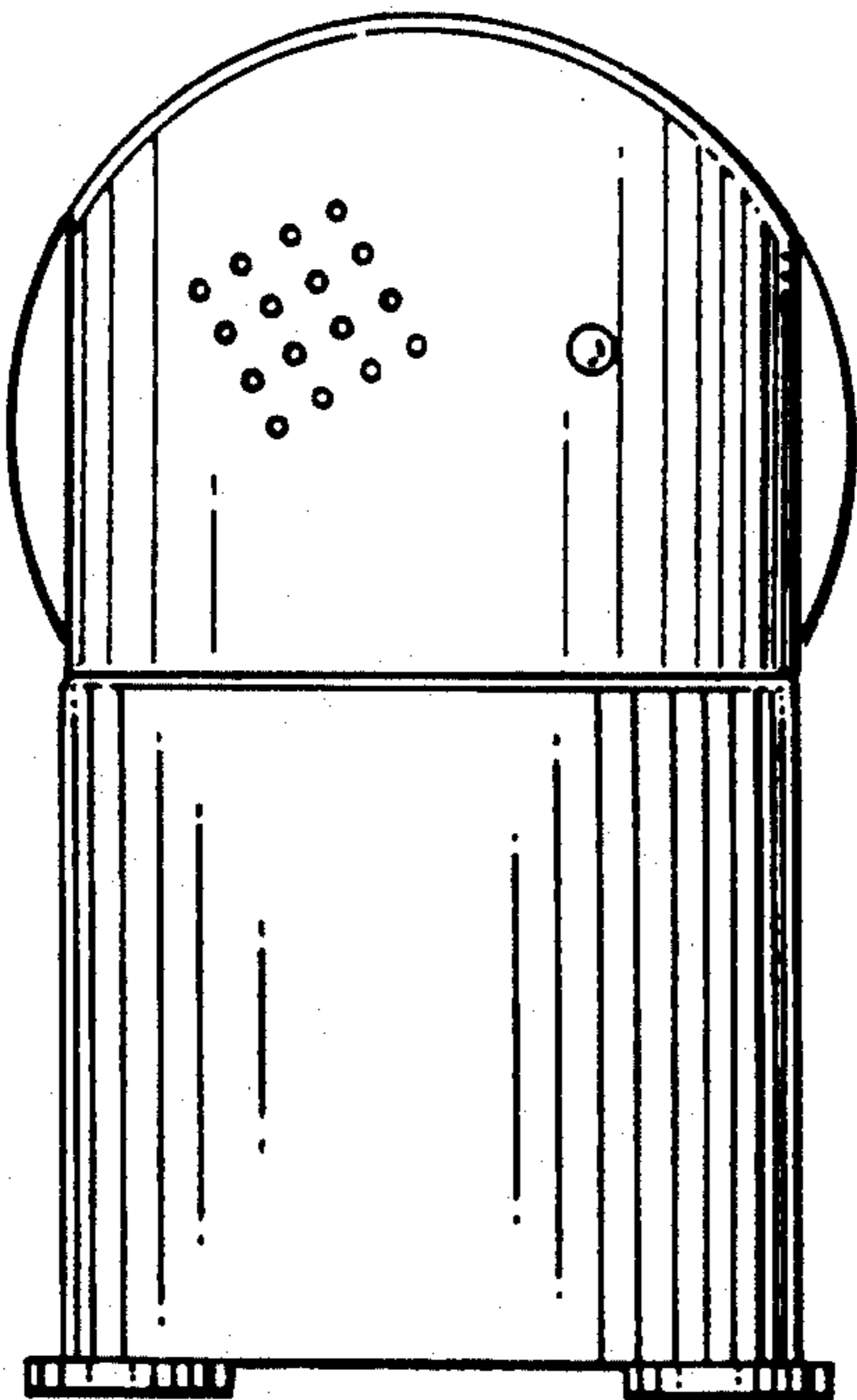
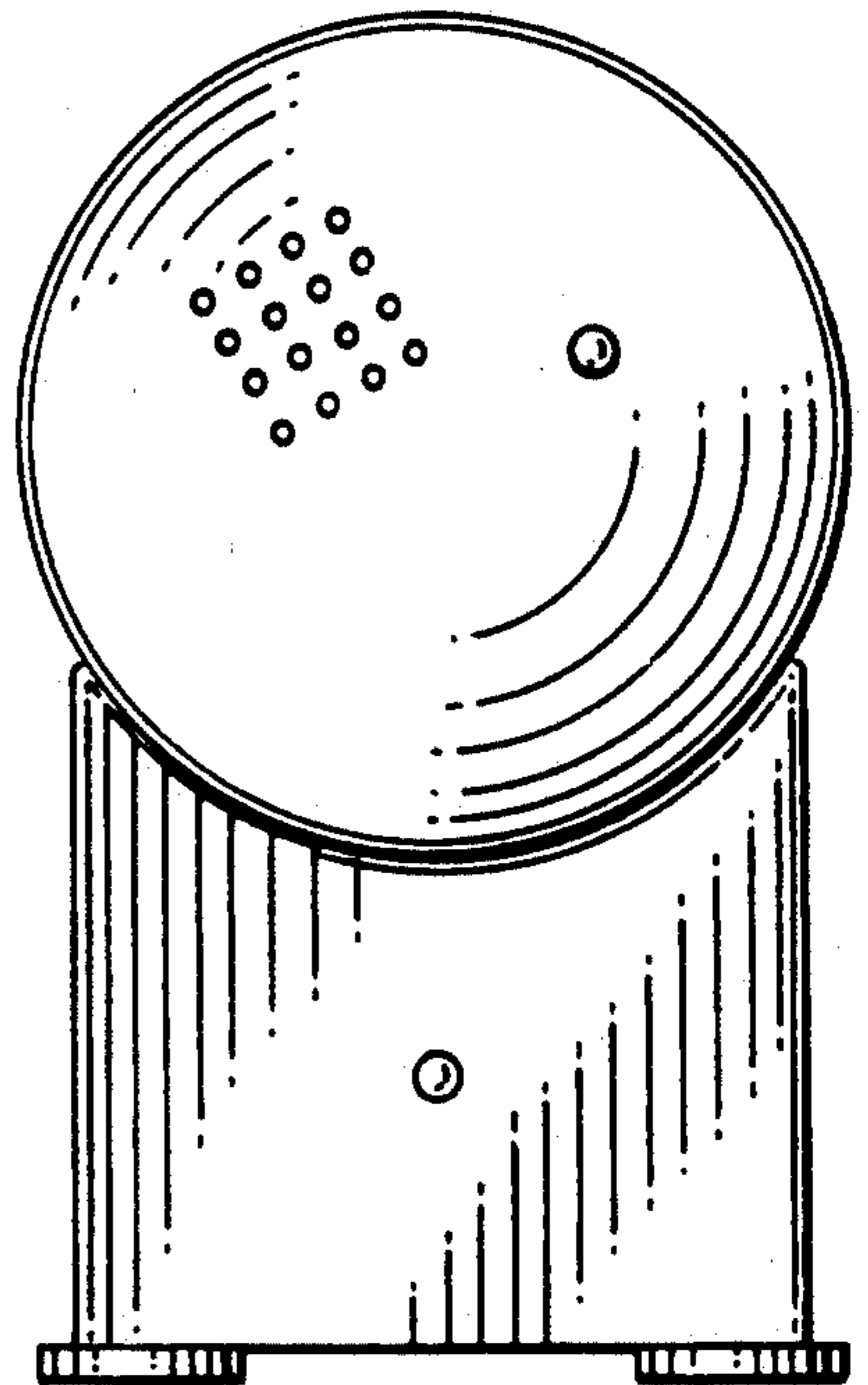
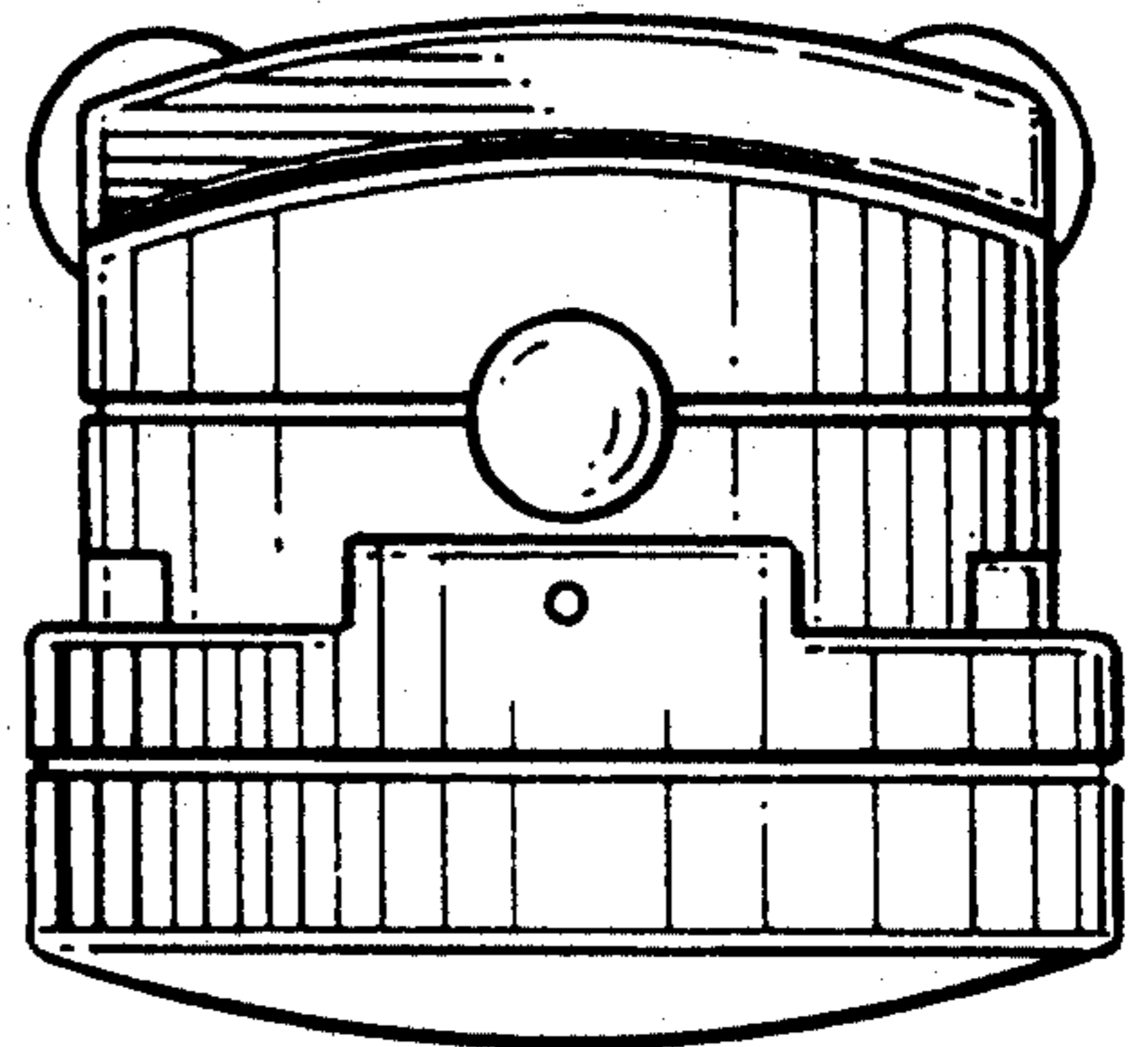
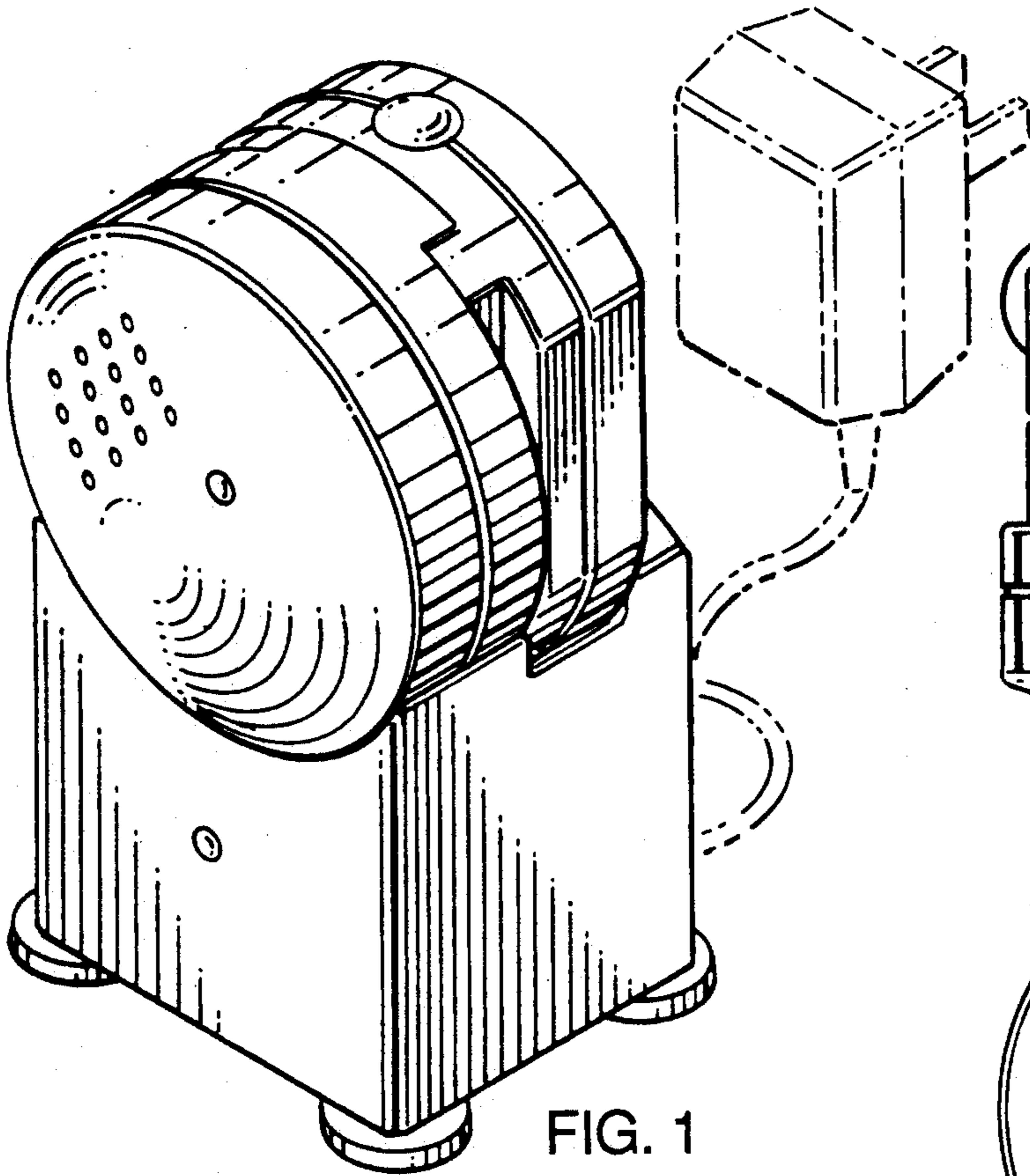
FIG. 20 is a rear view thereof;

FIG. 21 is a bottom view thereof; and,

FIG. 22 is a left side view thereof, the right side view being identical.

The transmitter, receiver and recharger have been shown separately in FIGS. 8 to 22 for clarity of illustration only.





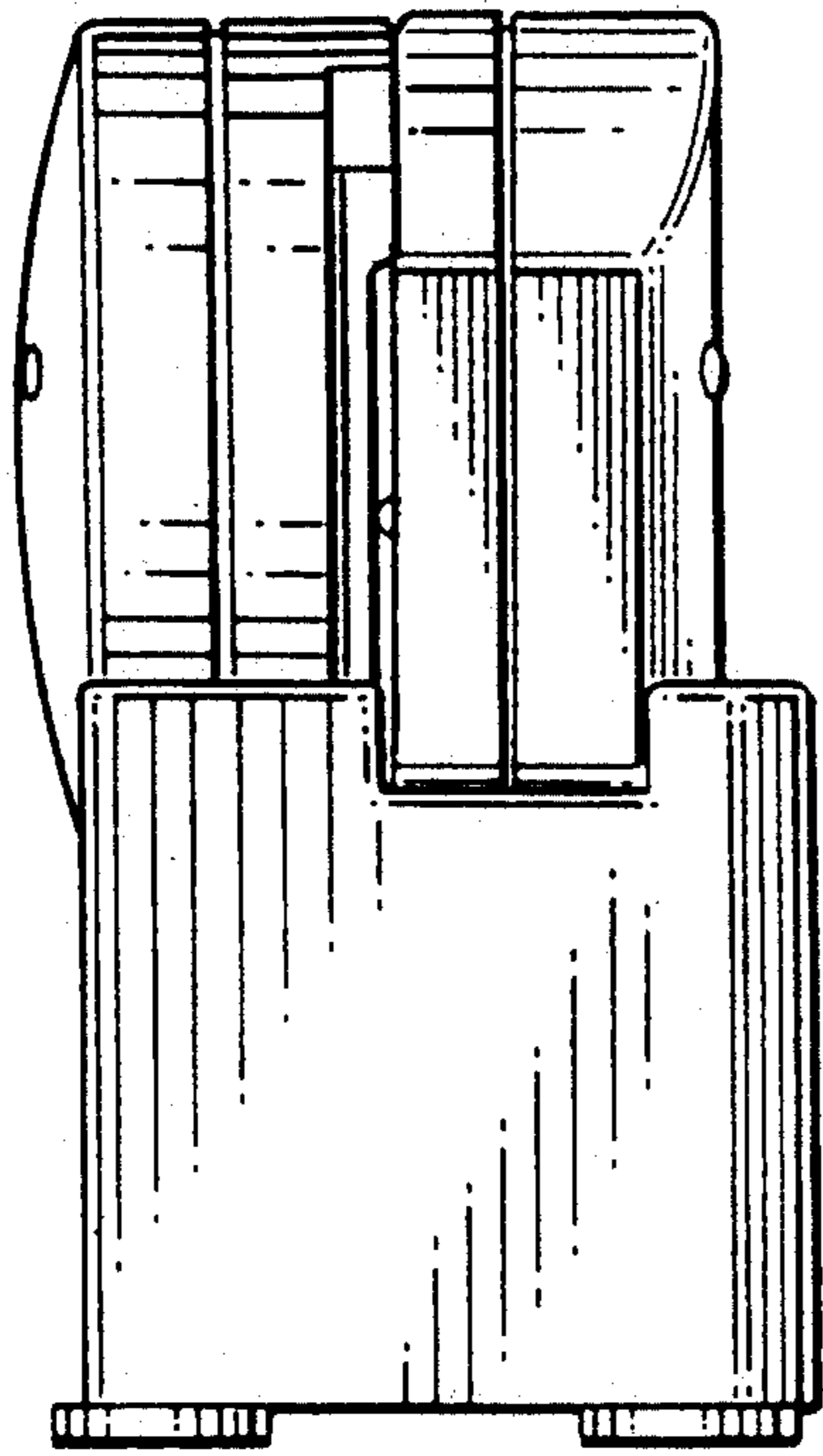


FIG. 6

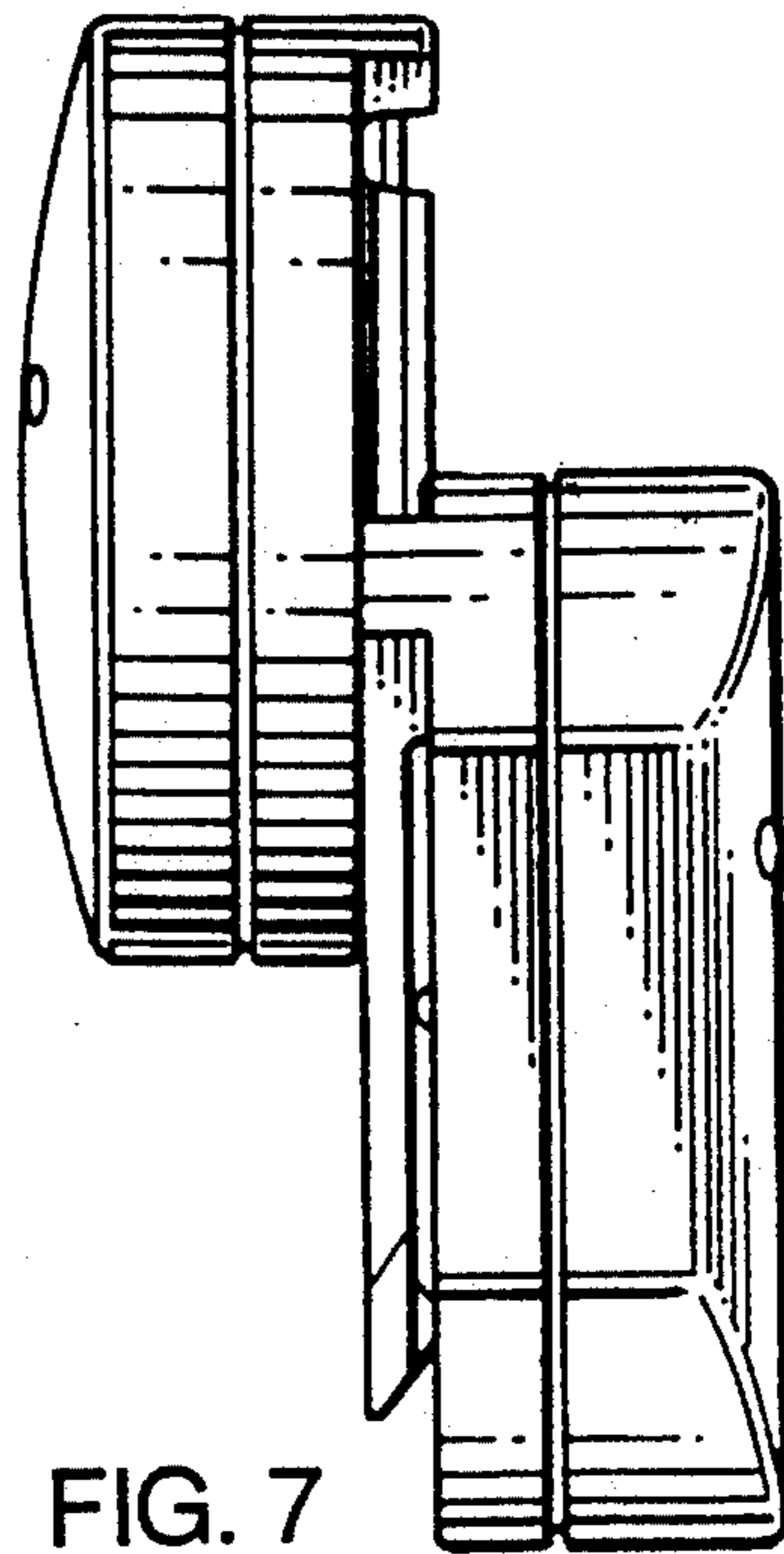


FIG. 7

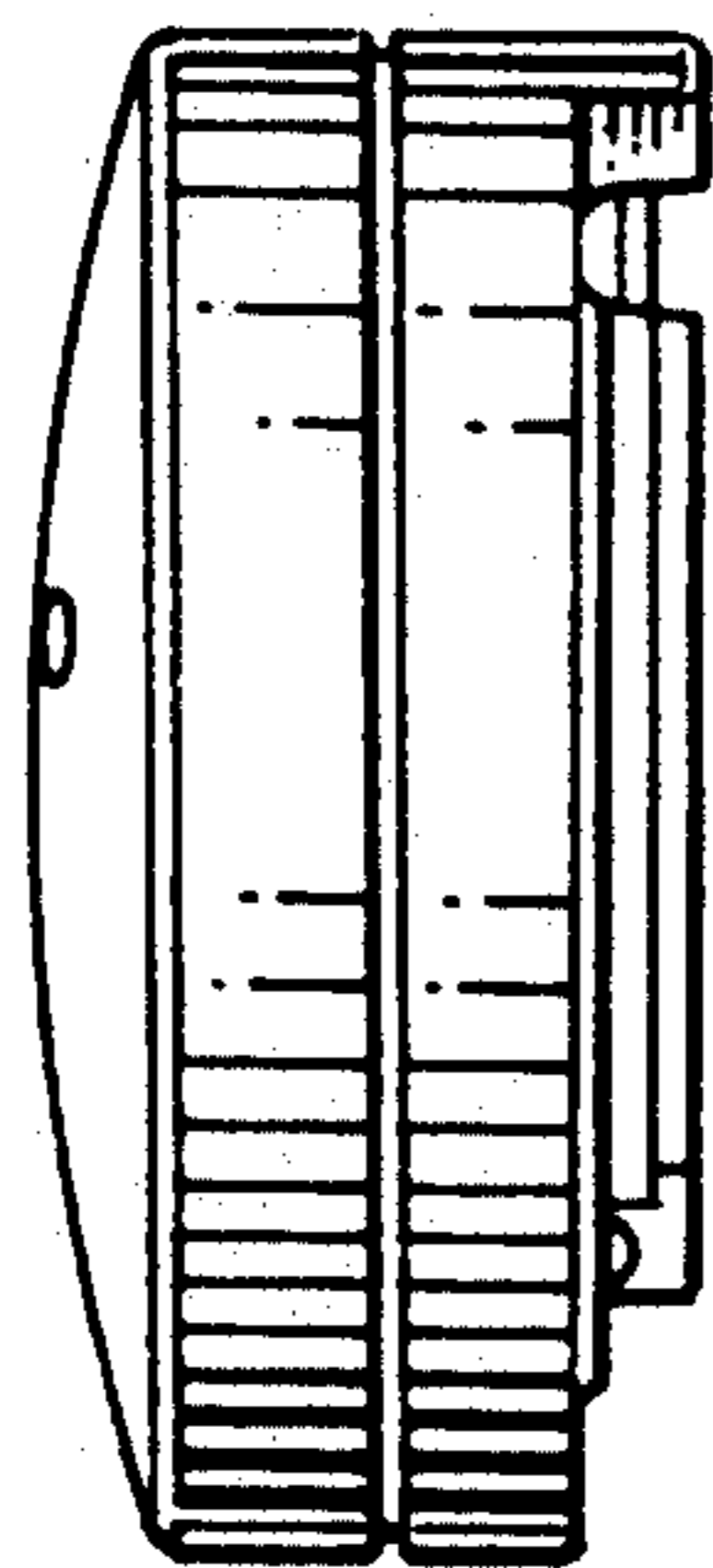


FIG. 10

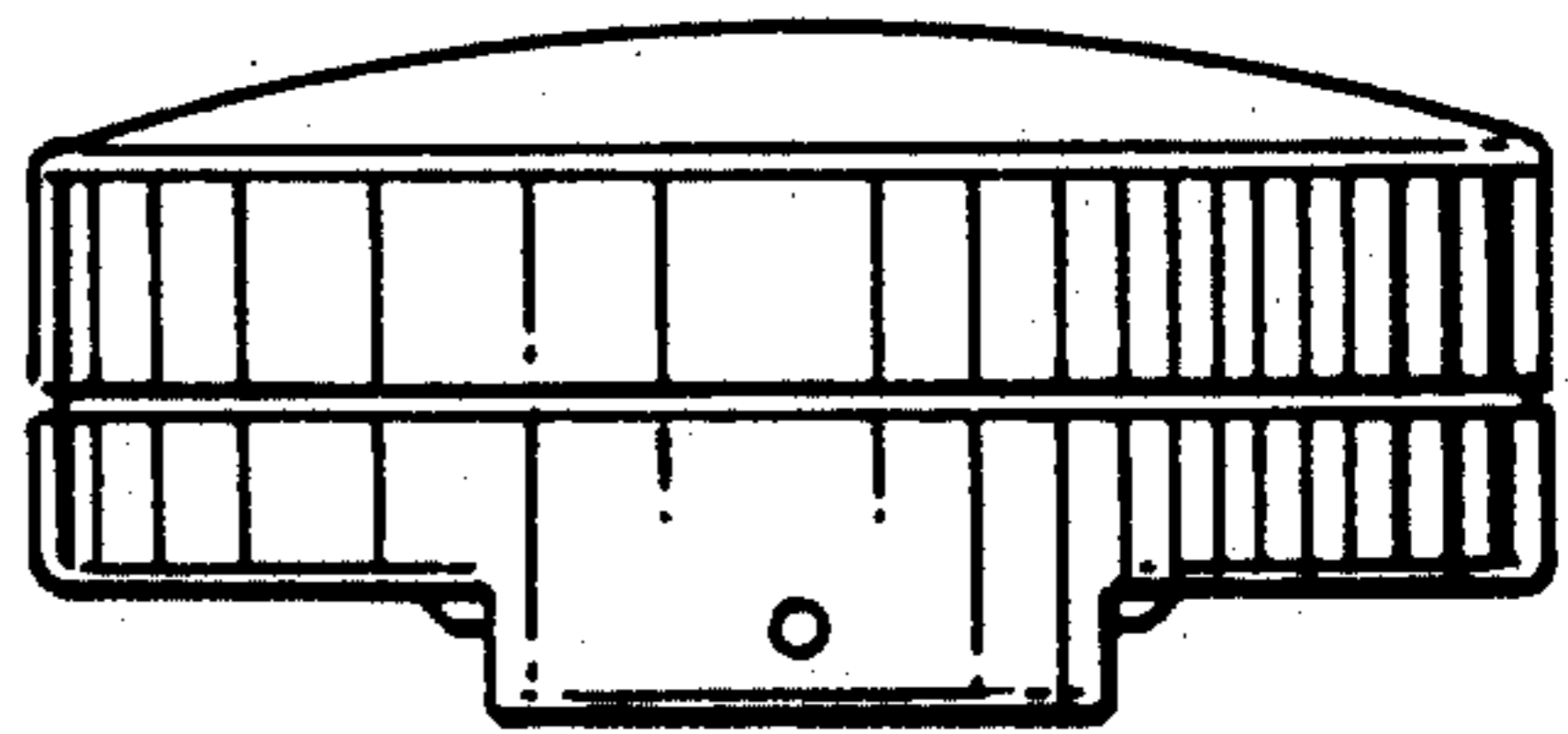


FIG. 8

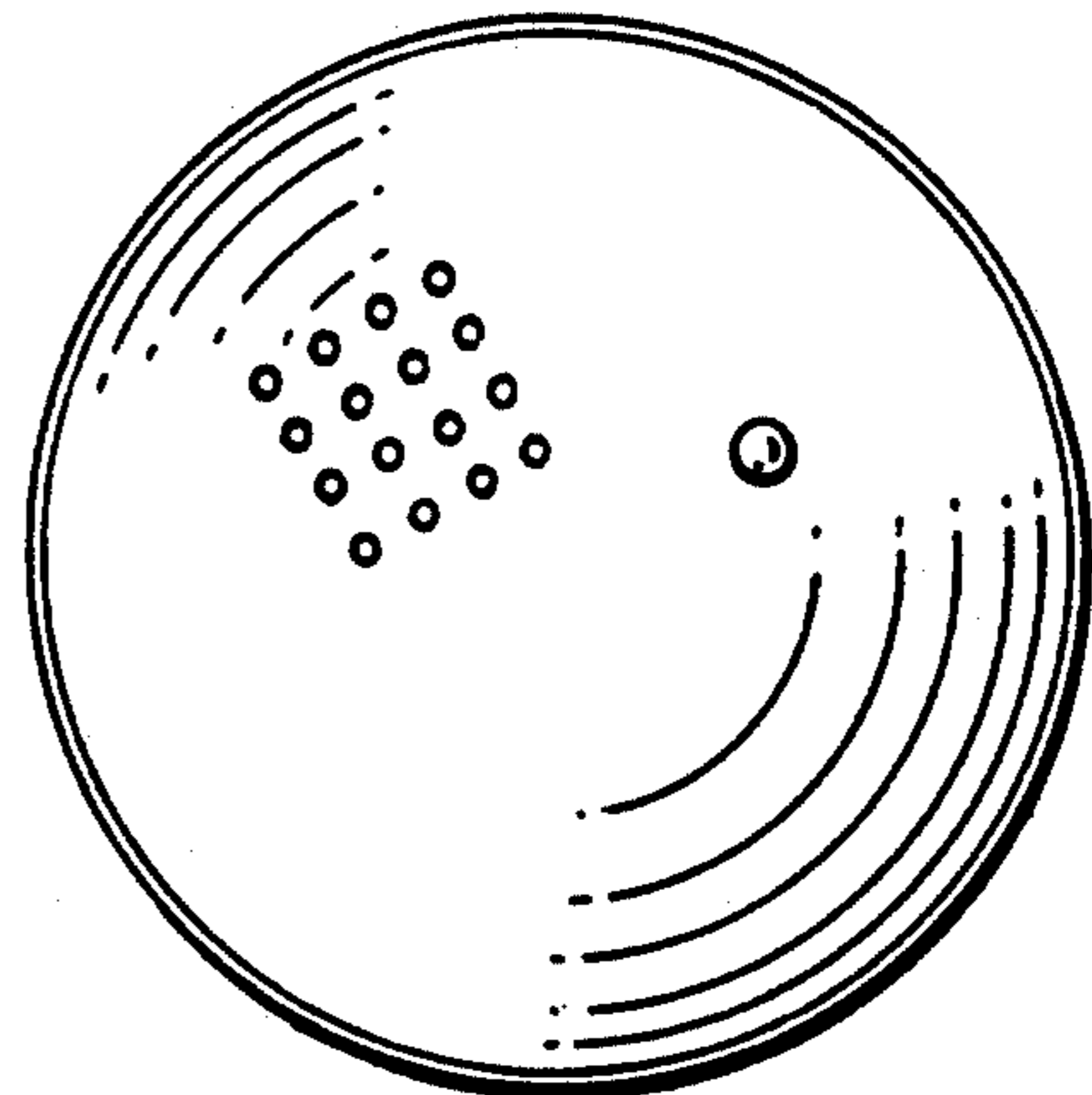


FIG. 9

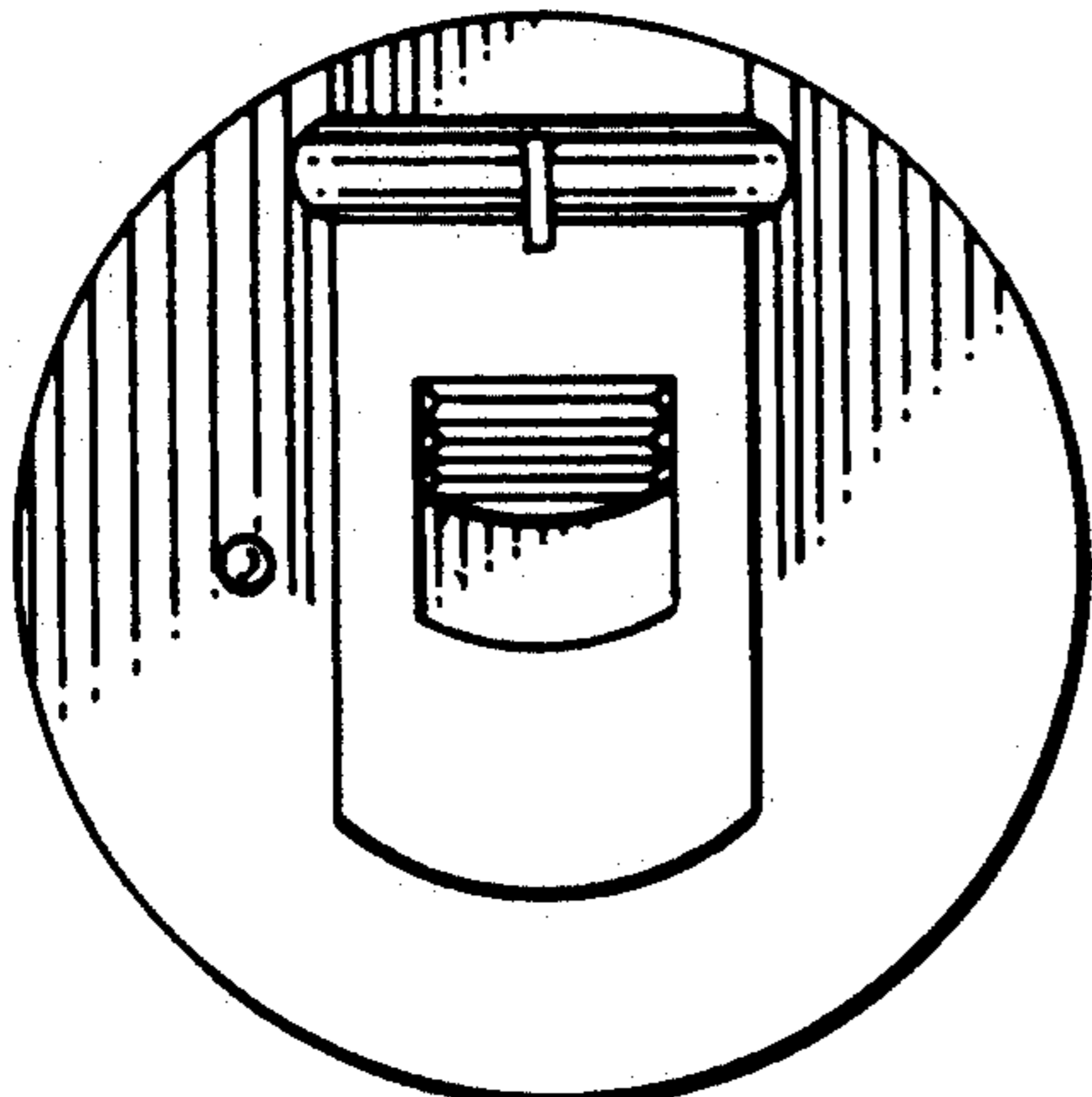


FIG. 11

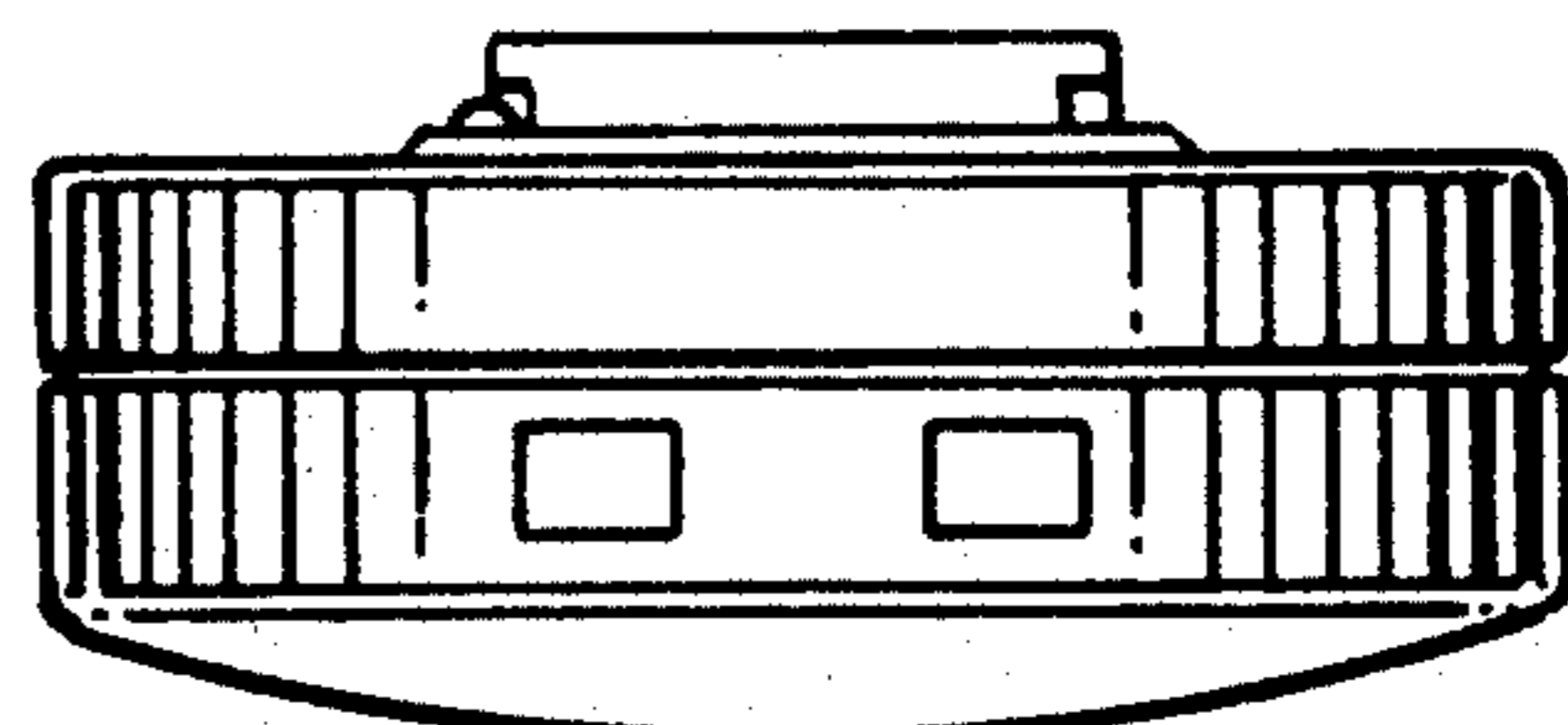


FIG. 12

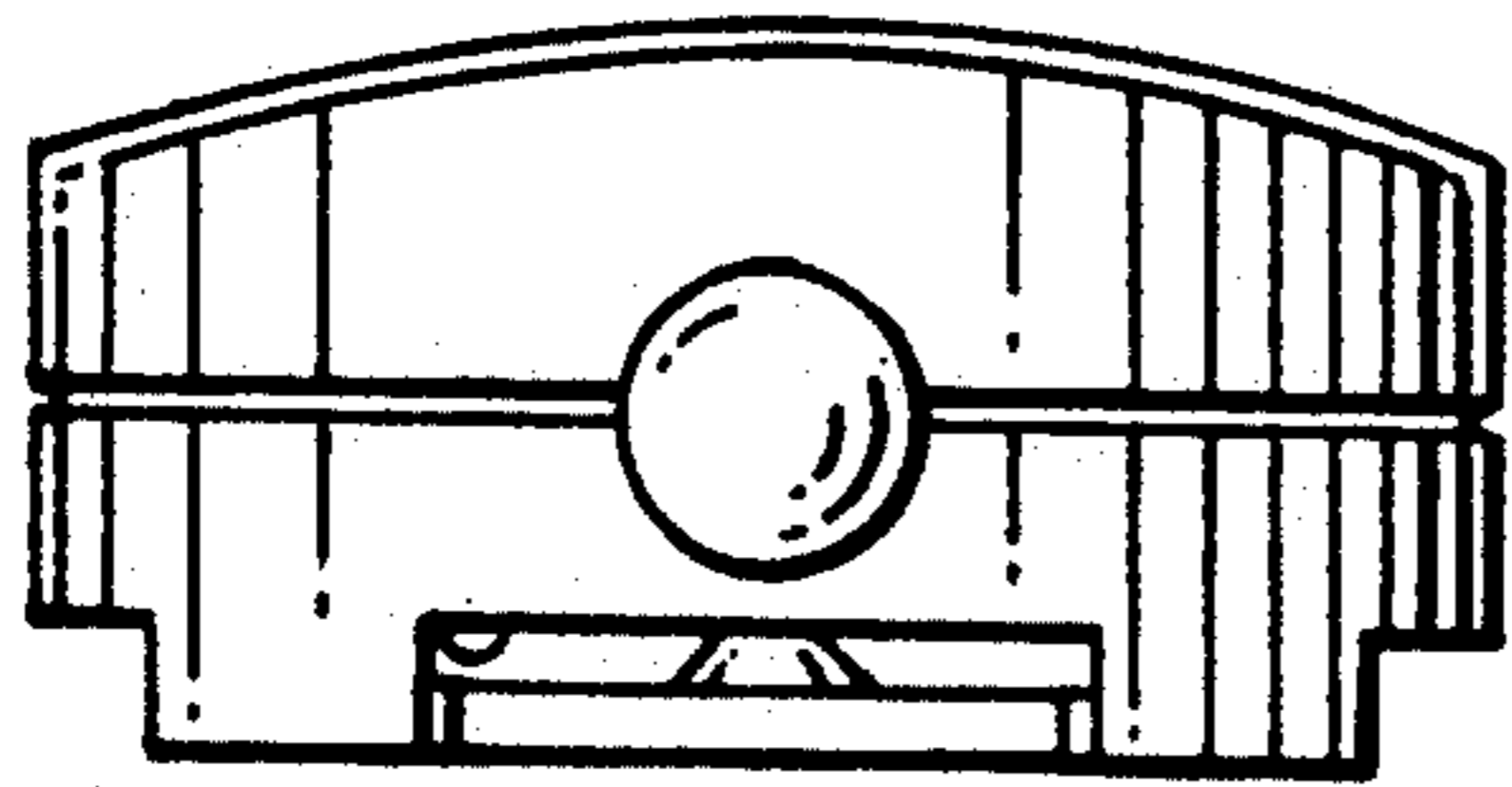


FIG. 13

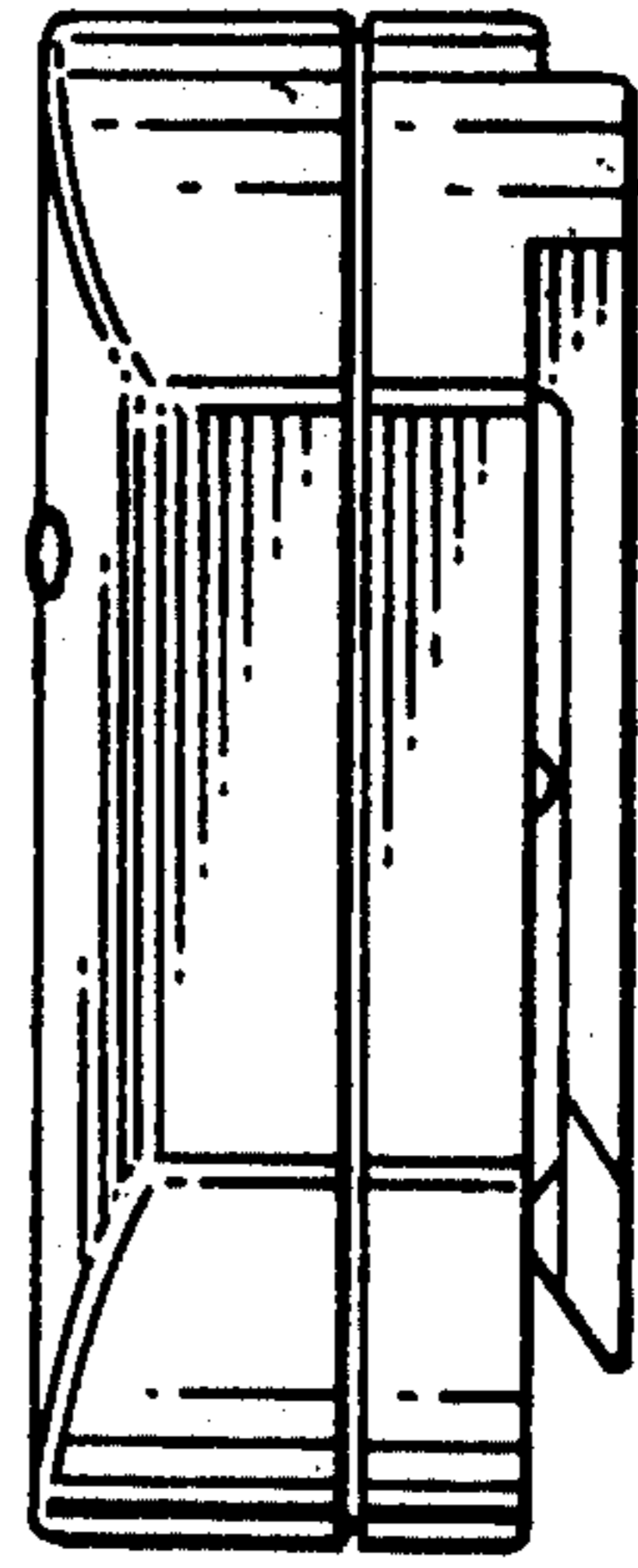


FIG. 15

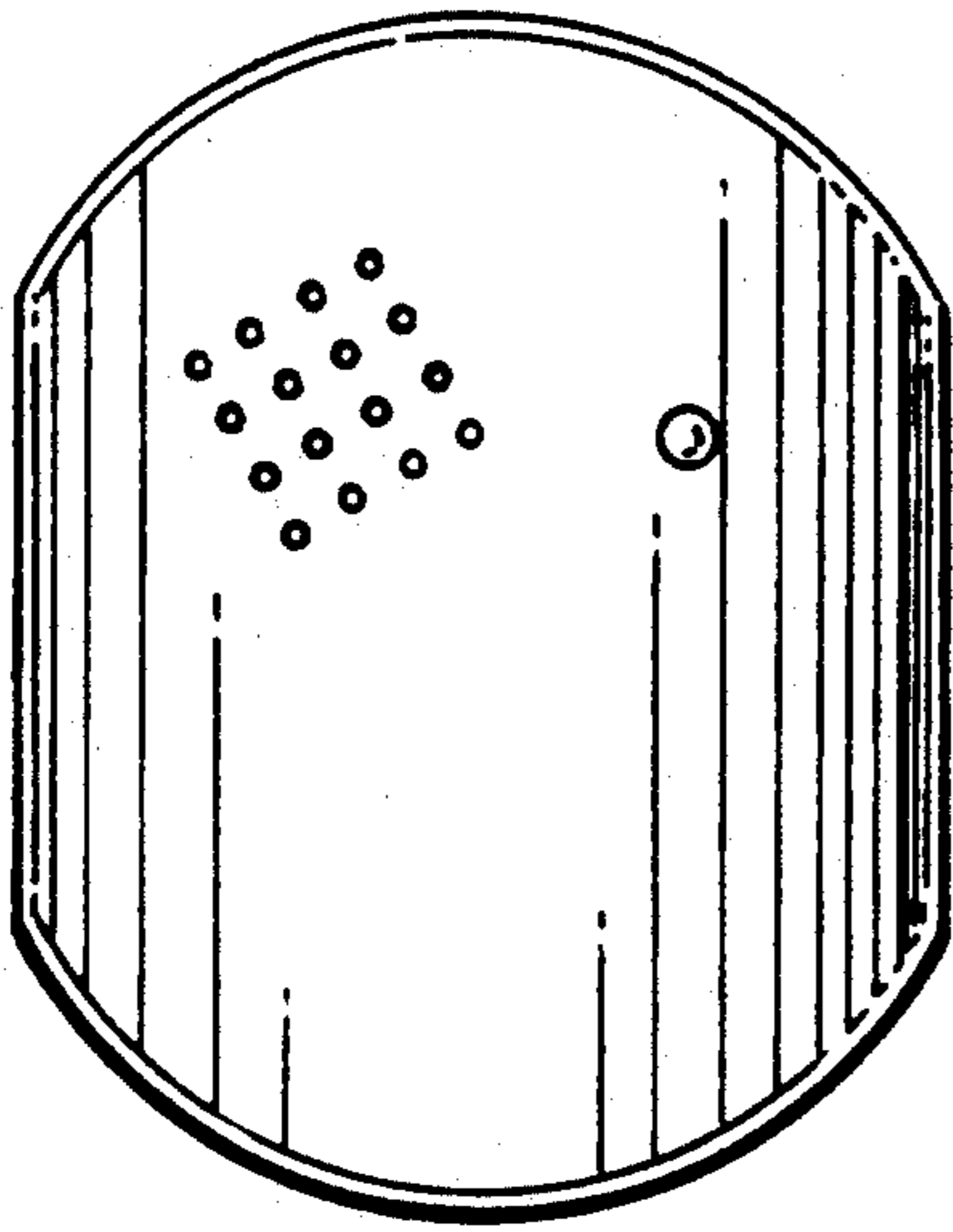


FIG. 14

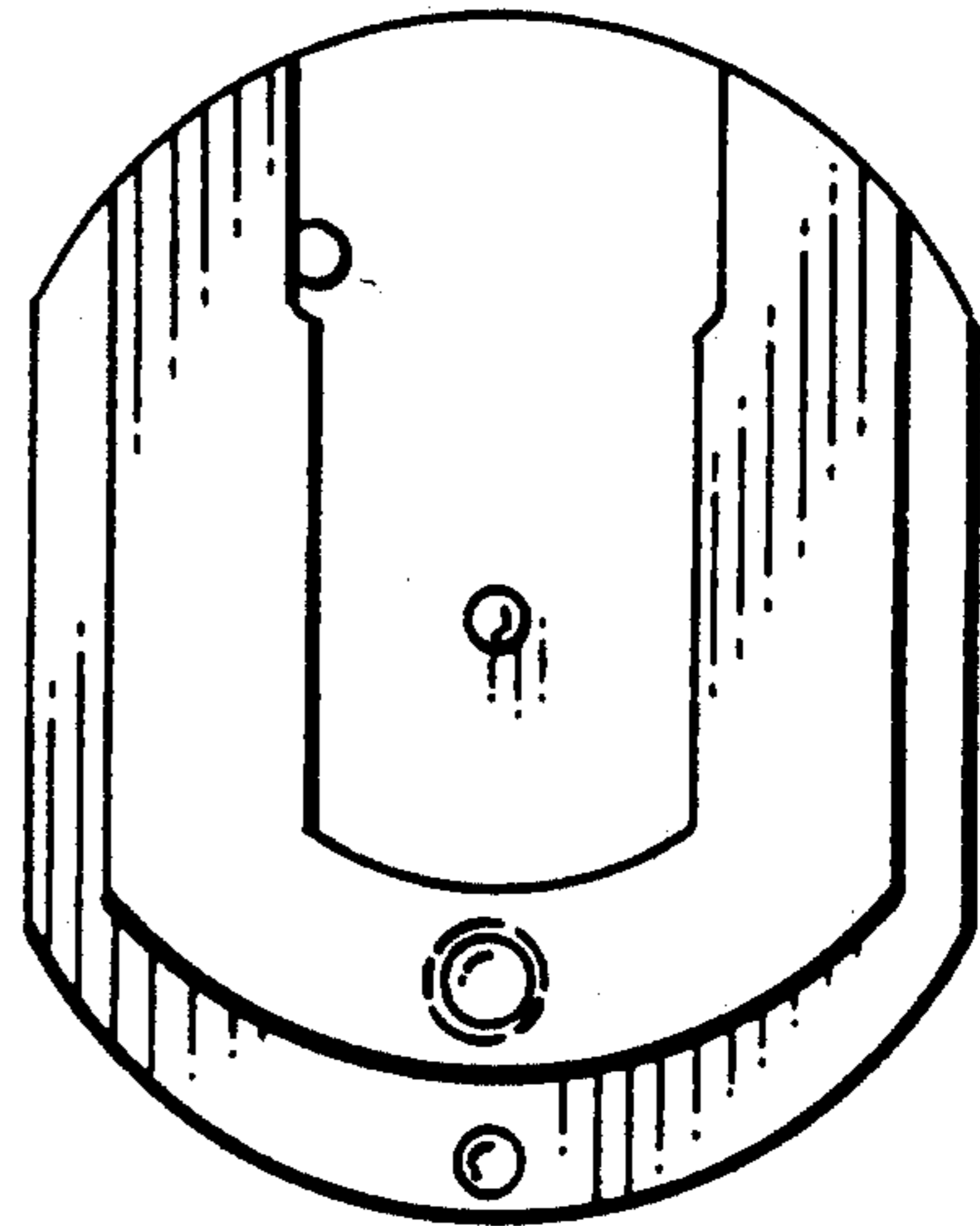


FIG. 16

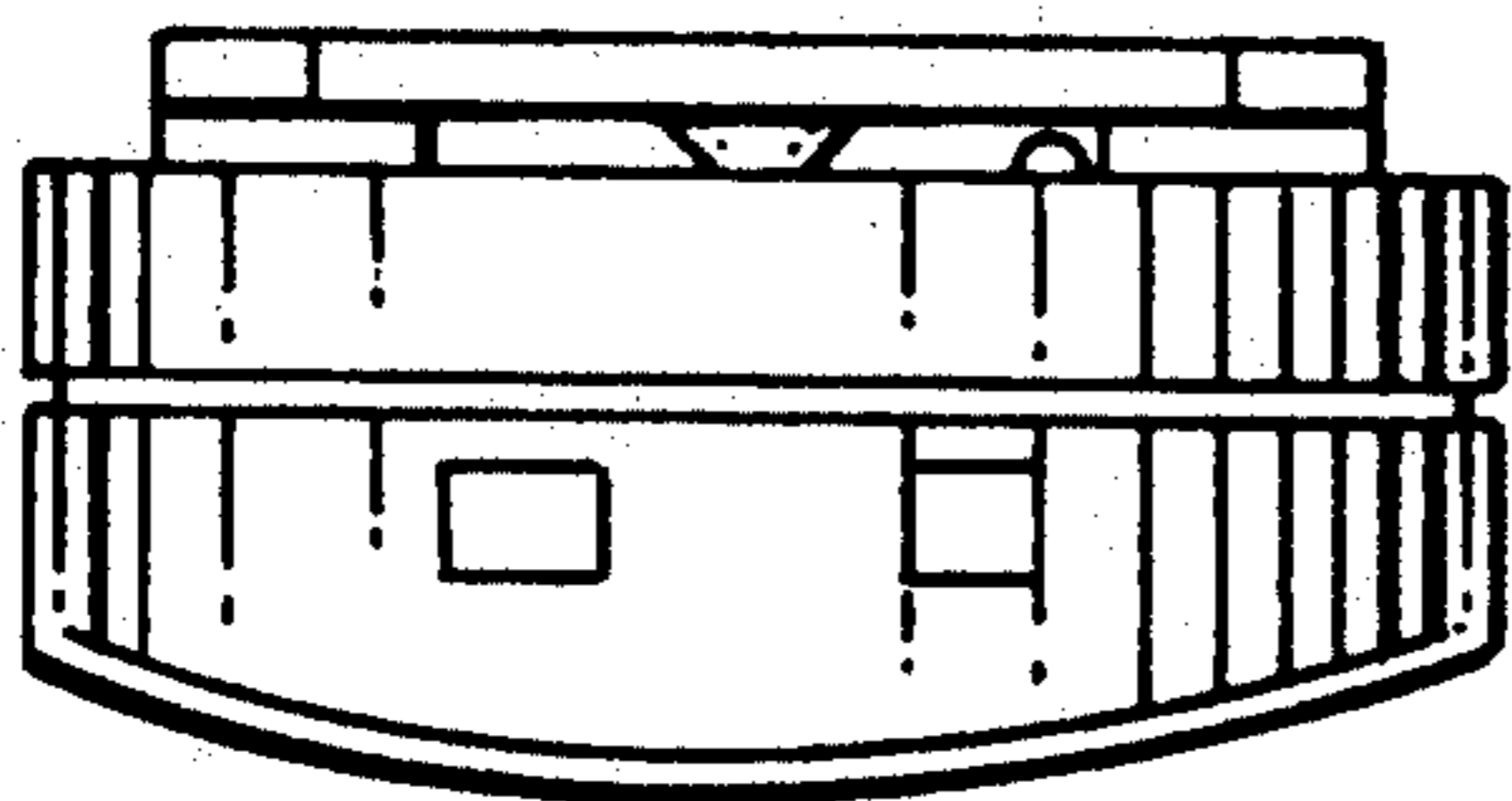


FIG. 17

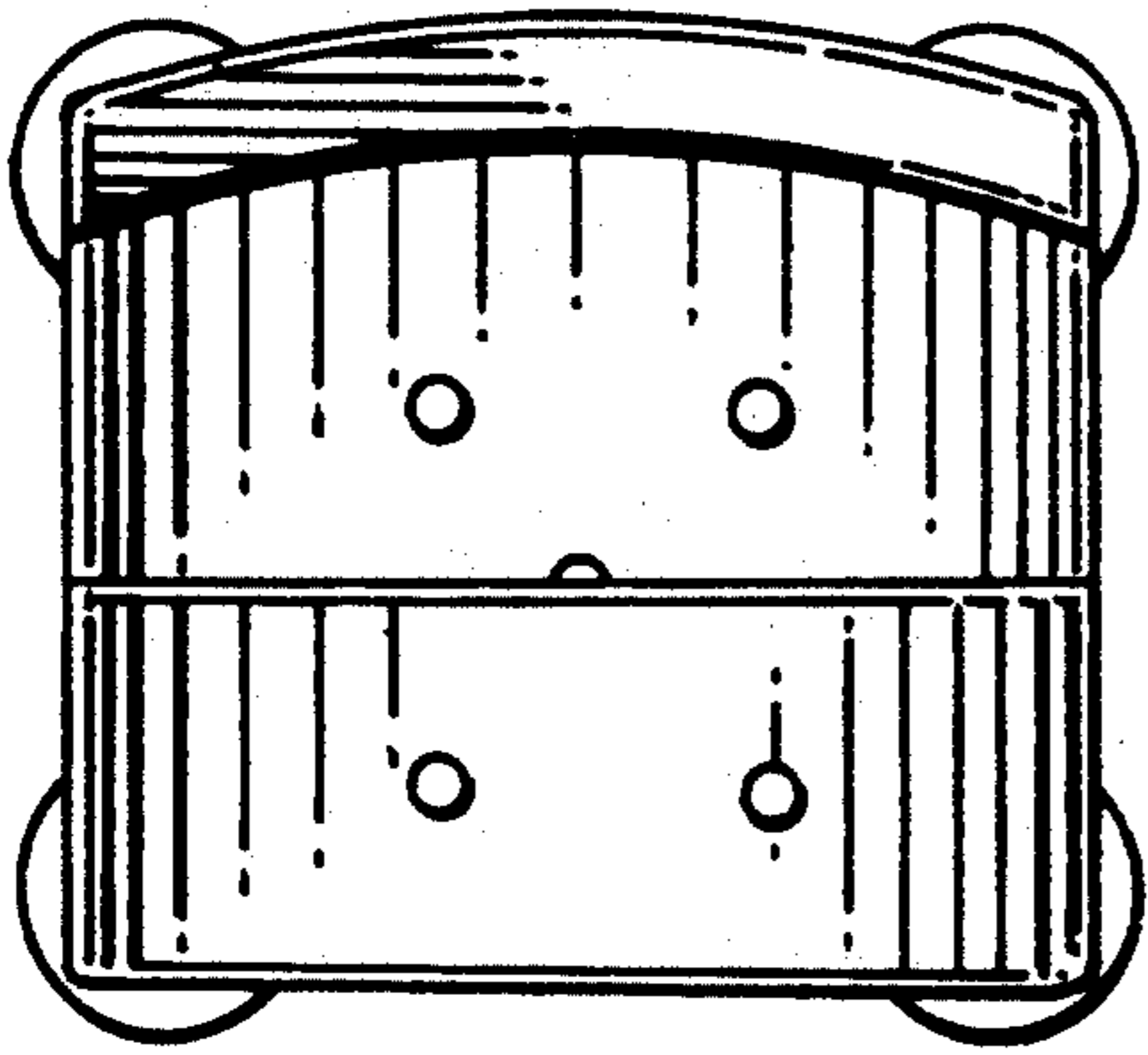


FIG. 18

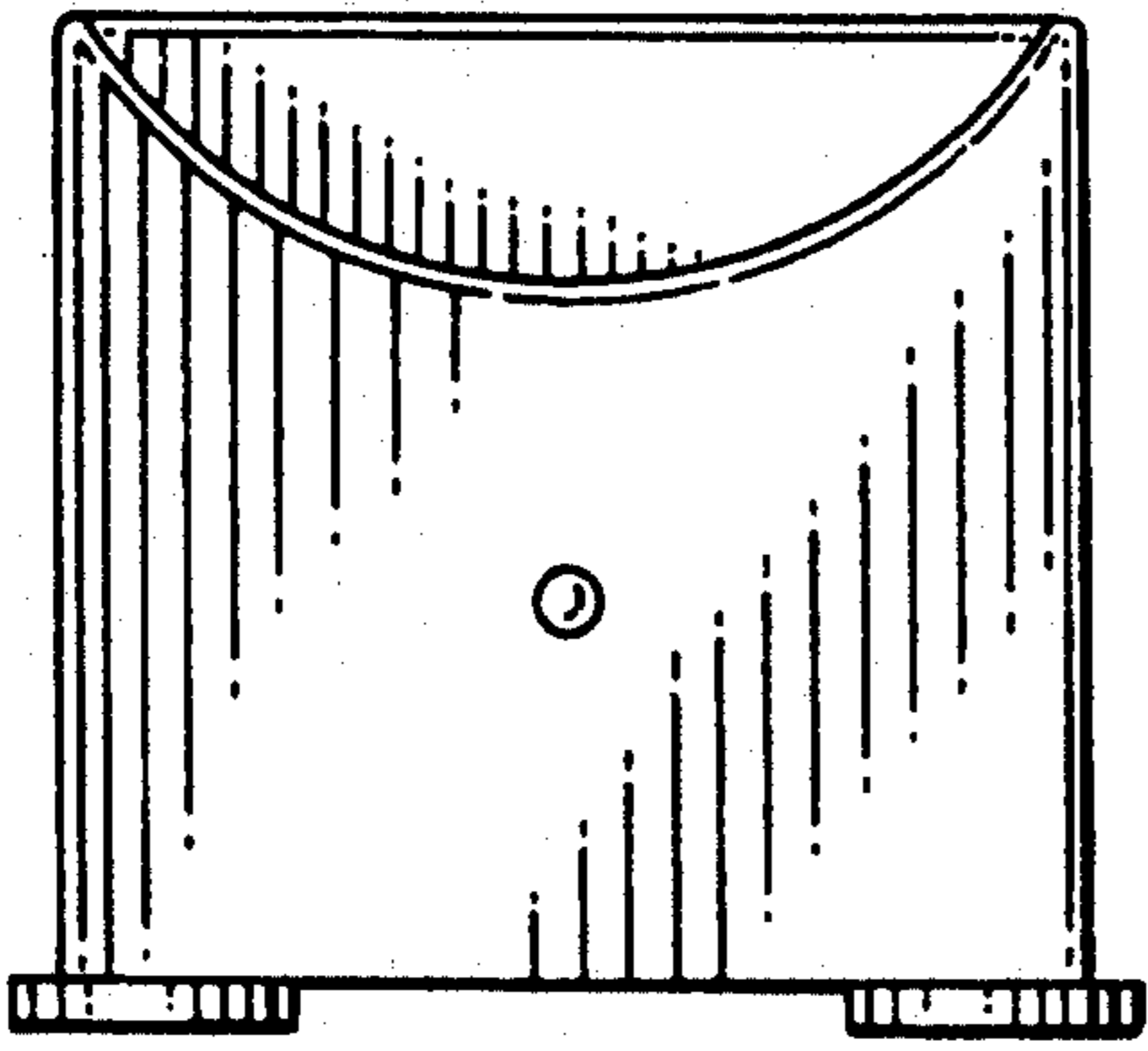


FIG. 19

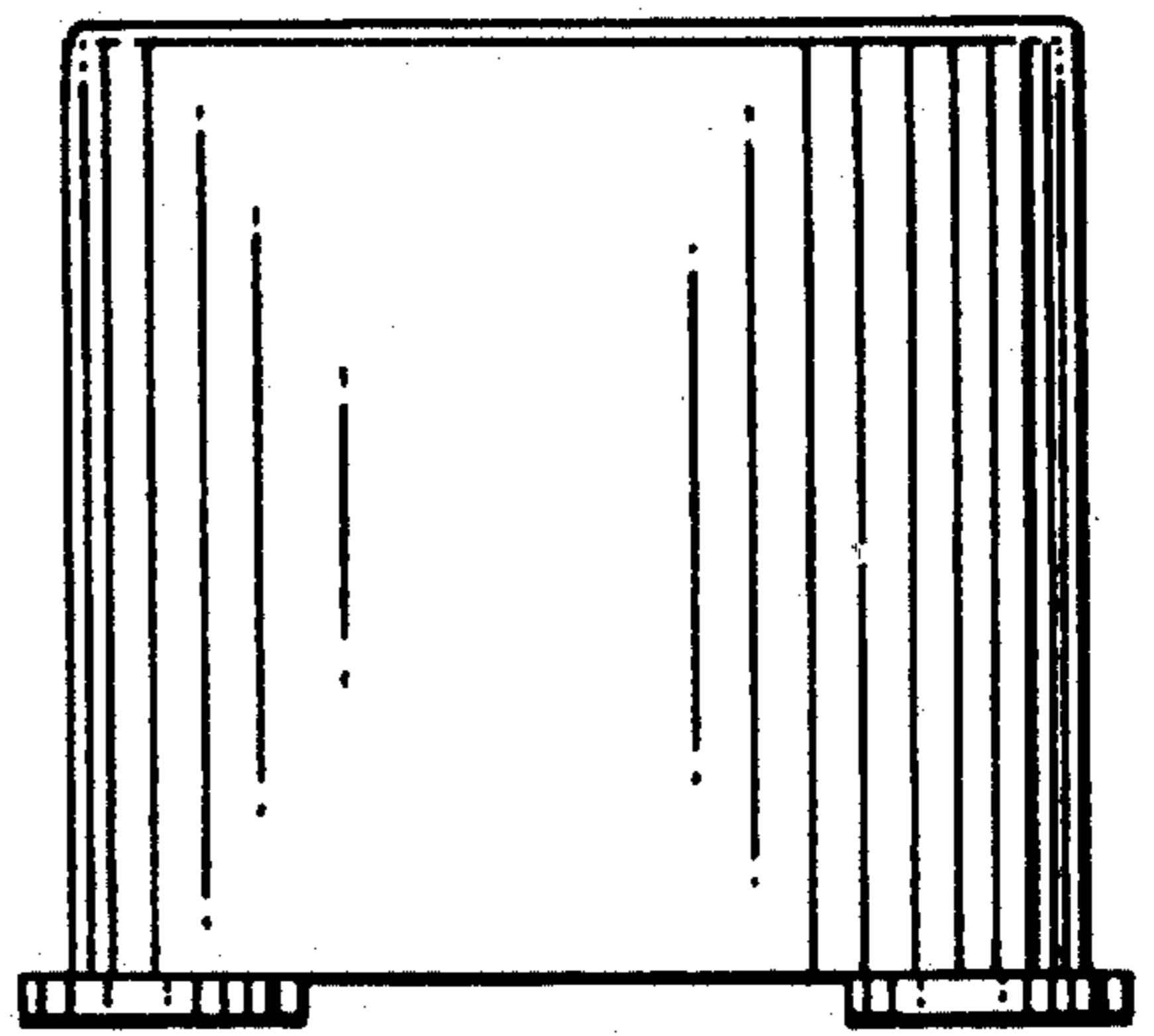


FIG. 20

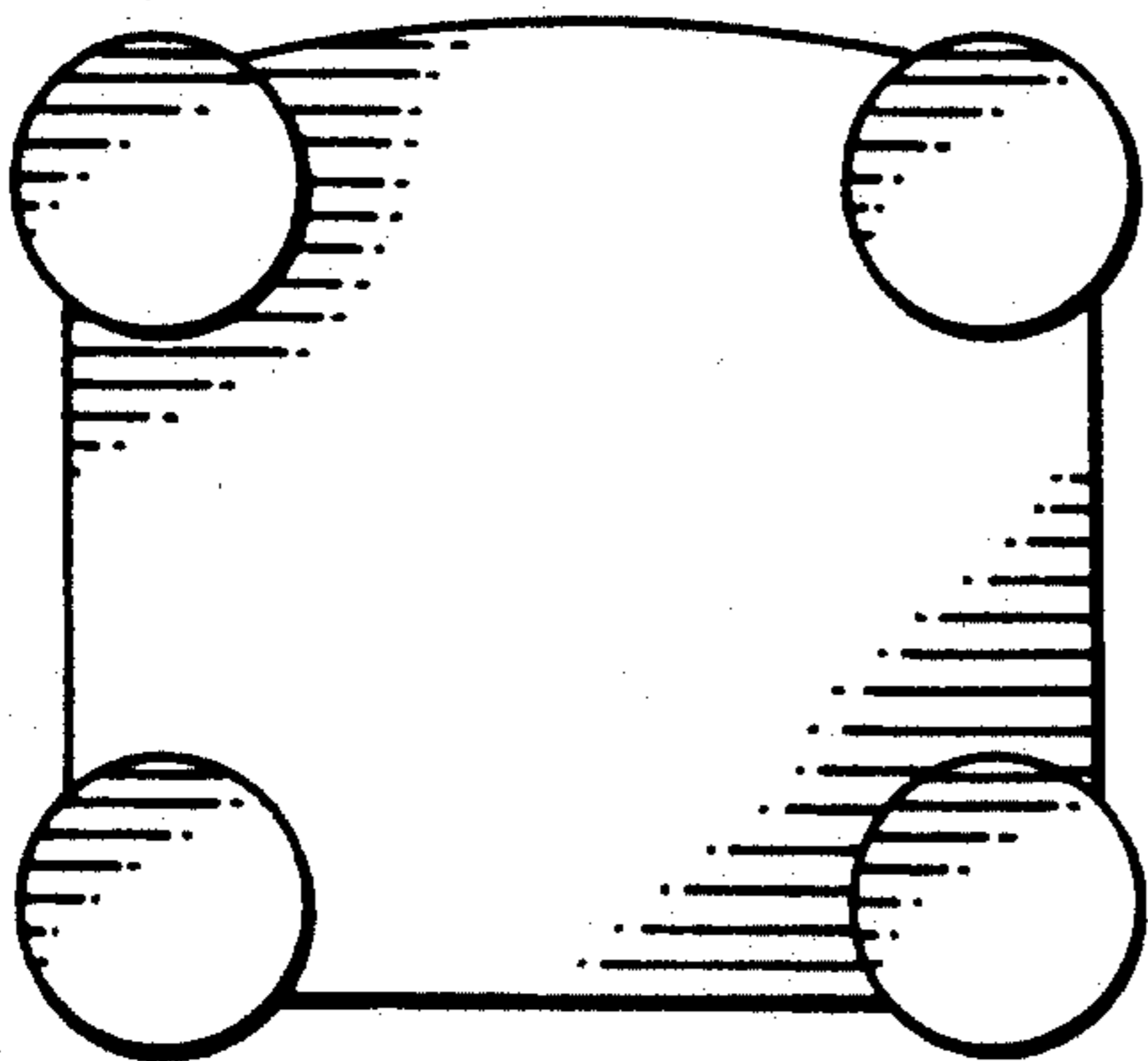


FIG. 21

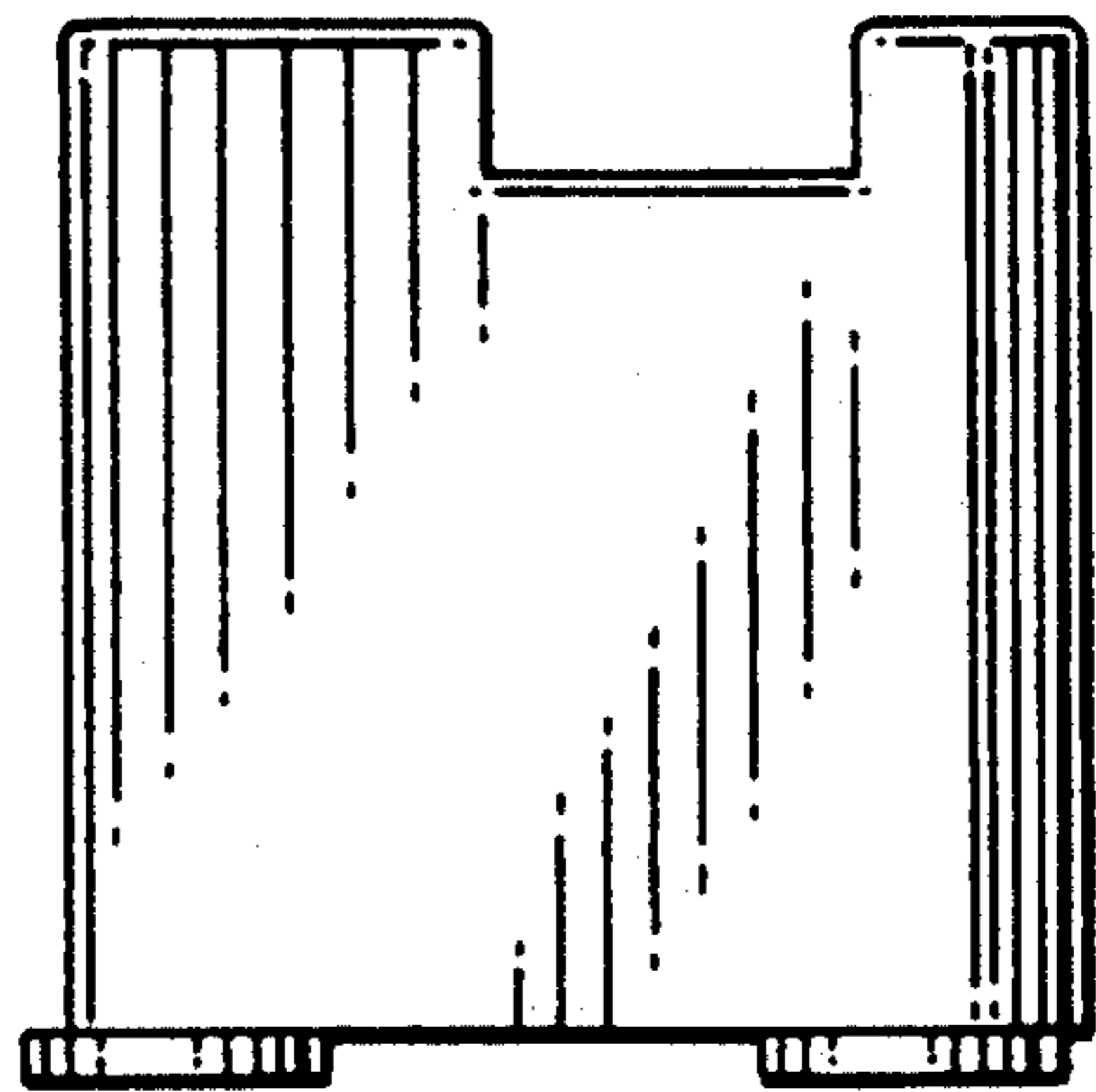


FIG. 22