



US00D339536S

United States Patent [19]

[11] Patent Number: **Des. 339,536**

Ribron

[45] Date of Patent: **** Sep. 21, 1993**

[54] **COMBINED TAPE MEASURE AND PENCIL SHARPENER**

[76] Inventor: **Selina Ribron, Rte. 1 Box 810-B, Brunswick, Ga. 31520**

[**] Term: **14 Years**

[21] Appl. No.: **786,993**

[22] Filed: **Nov. 4, 1991**

[52] U.S. Cl. **D10/72; D19/73; D19/74**

[58] Field of Search **D10/72; D19/67, 68, D19/69, 73, 74; 33/755, 759, 760, 768, 69; 30/451-459**

[56] **References Cited**

U.S. PATENT DOCUMENTS

- D. 168,329 12/1952 Blum D19/69 X
- D. 169,658 5/1953 Dart D10/72 X
- D. 182,680 4/1958 Milne et al. D10/72 X
- D. 186,623 11/1959 Schwartz D10/72

- D. 205,155 6/1966 Quenot D10/72
- 277,834 3/1985 Reeves D10/72
- D. 286,861 11/1986 Hollinger et al. D10/72 X
- D. 289,742 5/1987 Blakely et al. D10/72
- D. 289,860 5/1987 Yang D10/72
- 4,697,349 10/1987 Lee 33/27.03

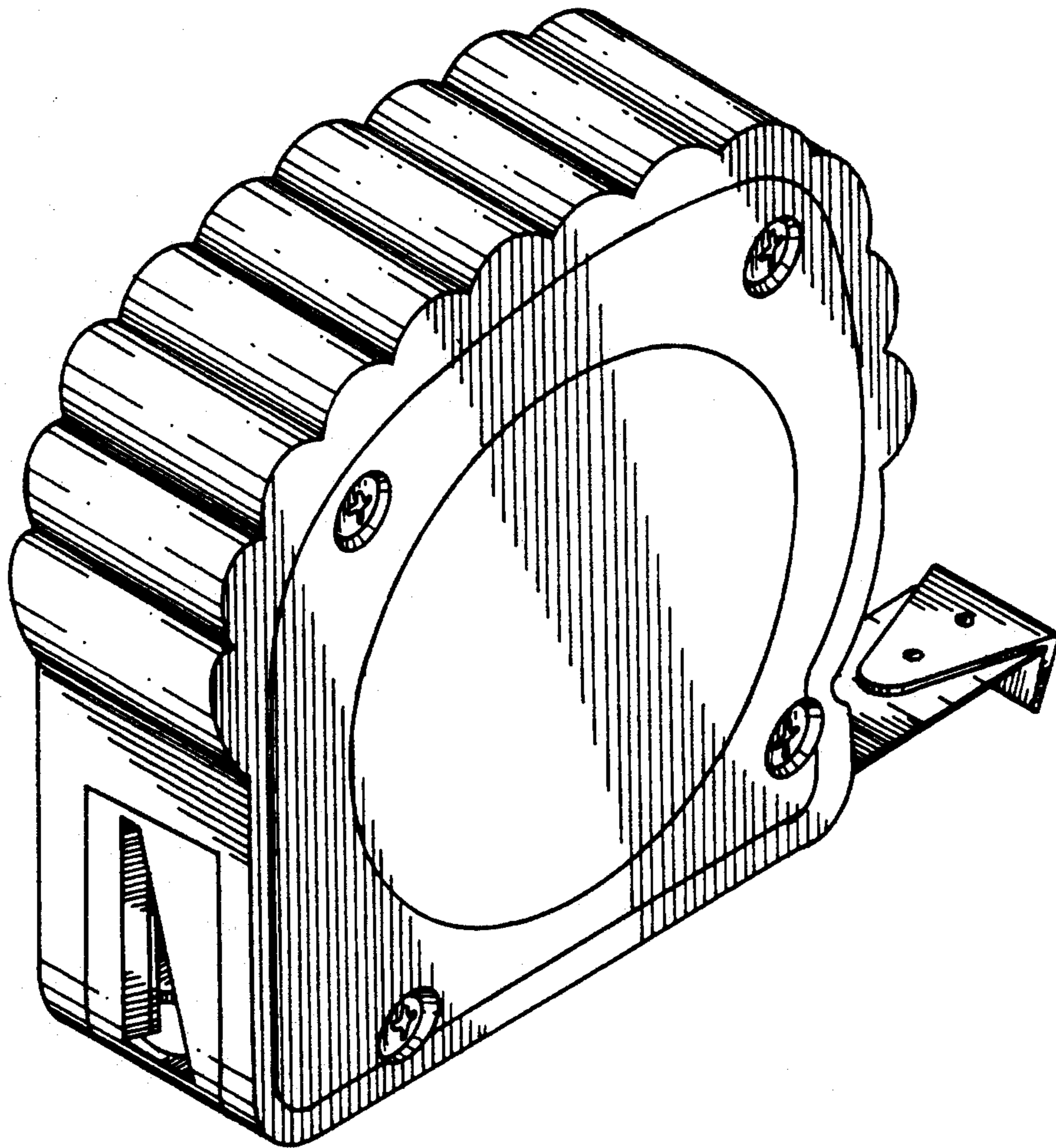
Primary Examiner—Nelson C. Holtje
Assistant Examiner—Martha Thompson
Attorney, Agent, or Firm—Terry M. Gernstein

[57] **CLAIM**

The ornamental design for a combined tape measure and pencil sharpener, as shown and described.

DESCRIPTION

FIG. 1 is a top rear perspective view of a combined tape measure and pencil sharpener showing my new design; FIG. 2 is a front elevational view thereof; FIG. 3 is a rear elevational view thereof; FIG. 4 is a side elevational view thereof, the side opposite being a mirror image of the side shown in FIG. 4; FIG. 5 is a top plan view thereof; and, FIG. 6 is a bottom view thereof.



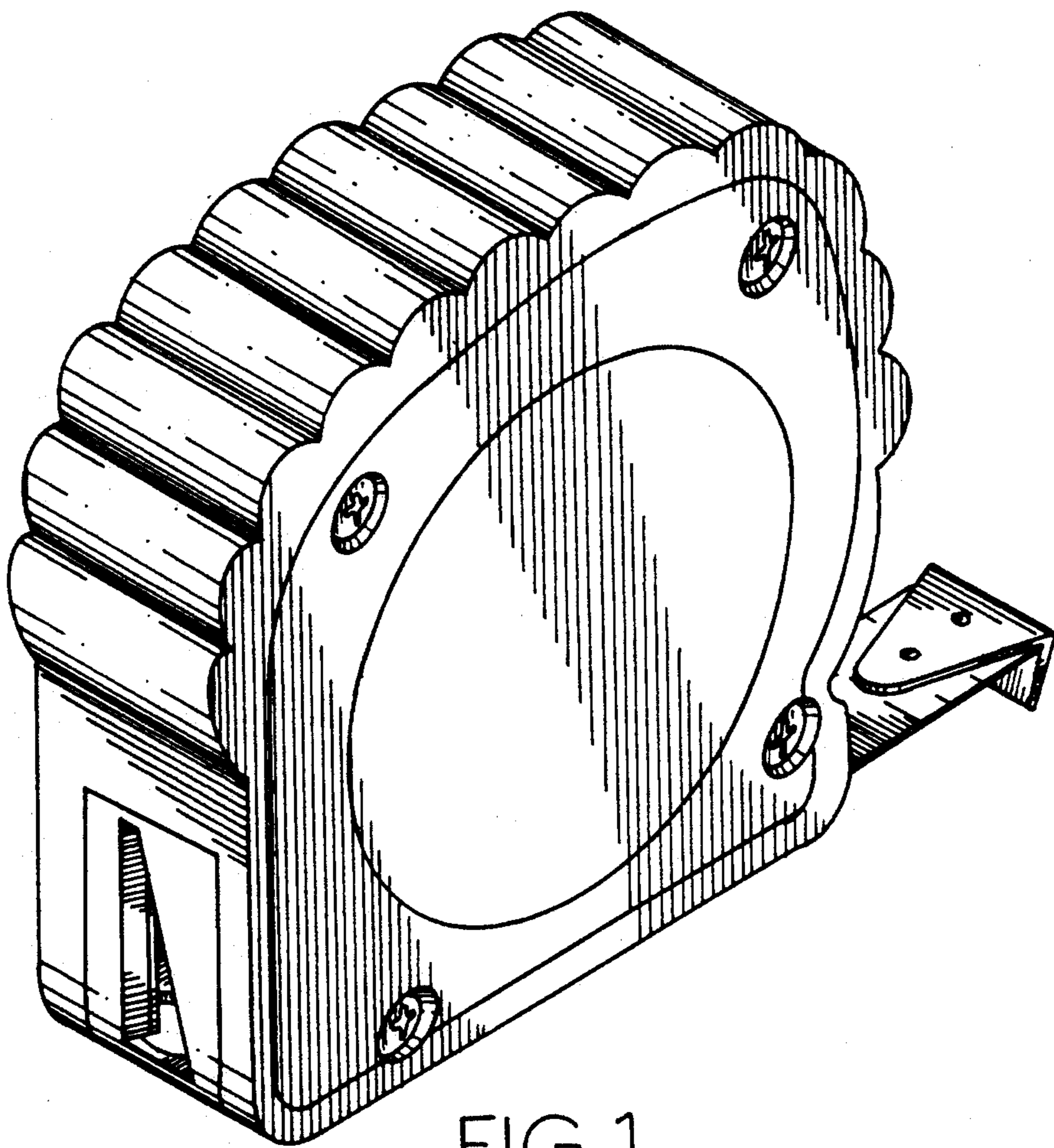


FIG. 1.

FIG. 2.

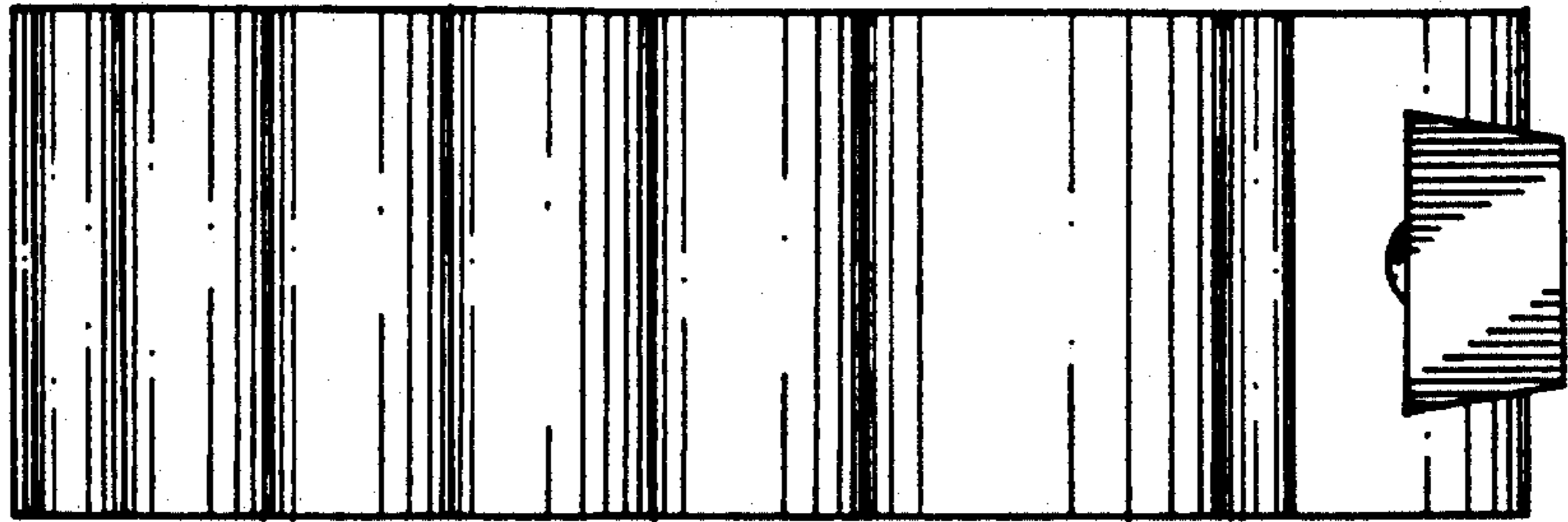
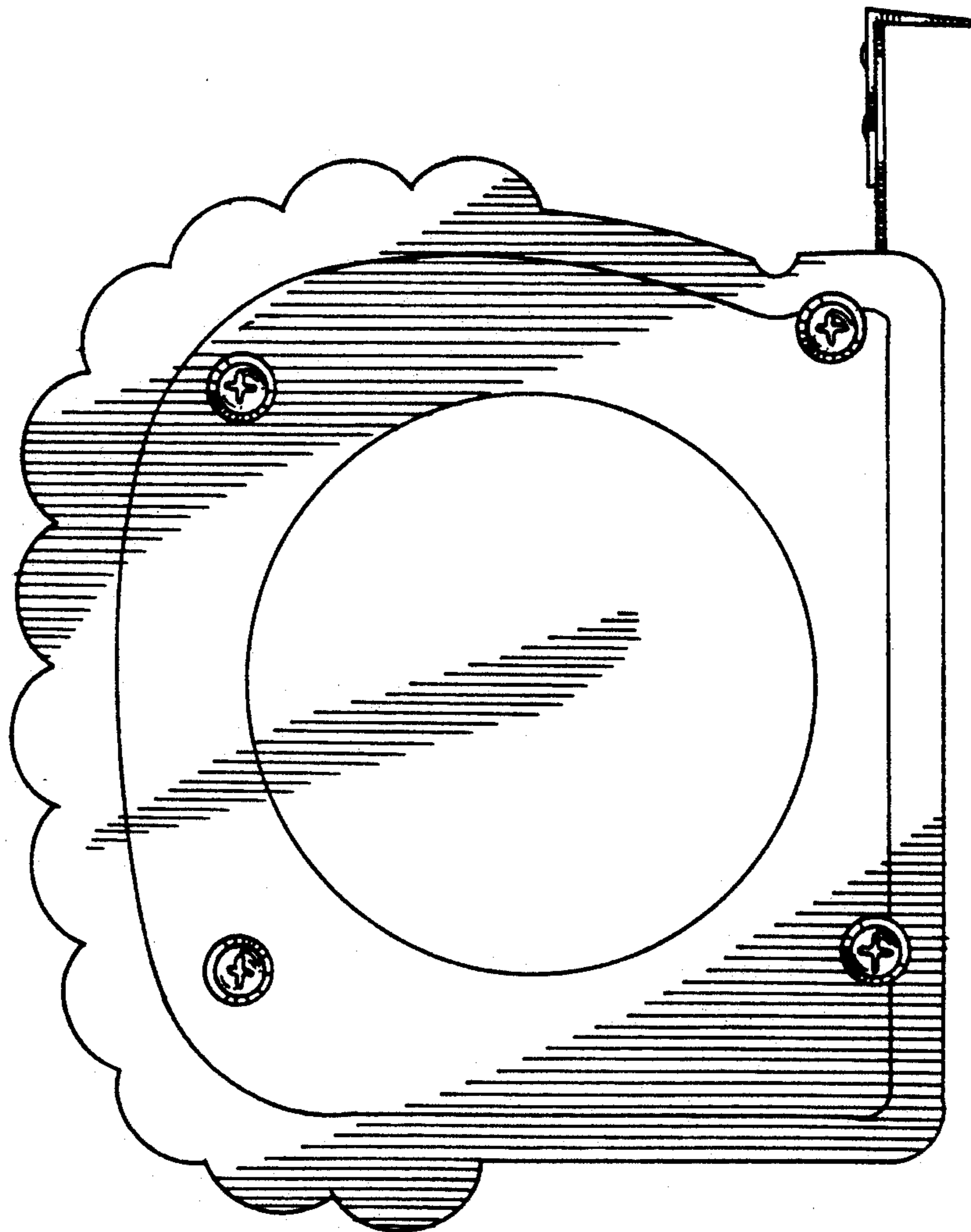


FIG. 4.



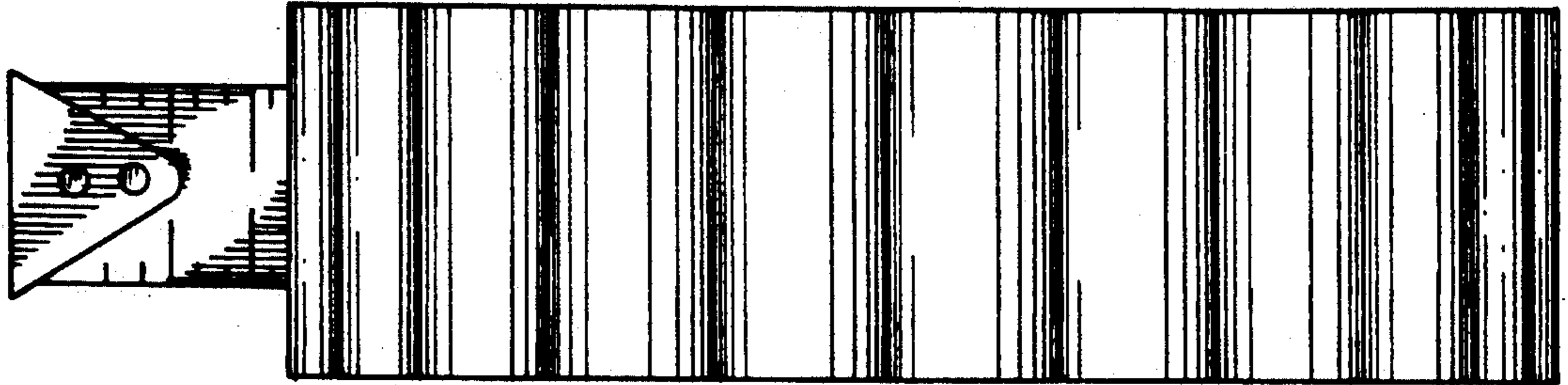
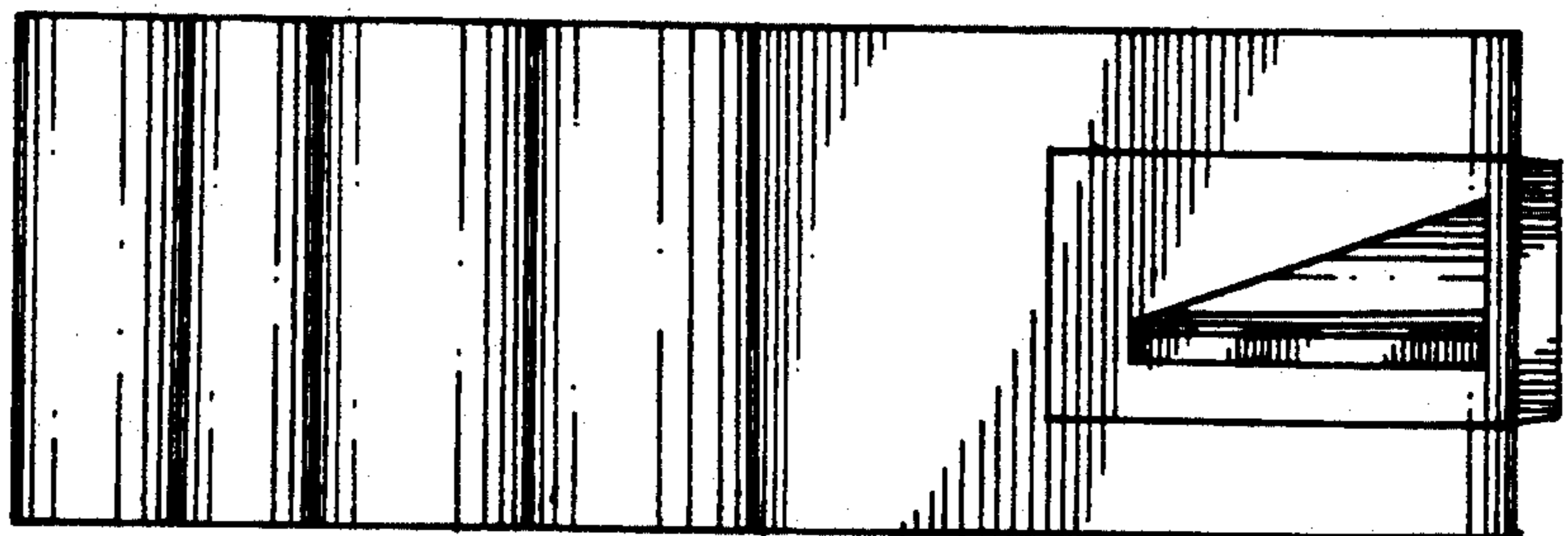


FIG. 5.

FIG. 3.



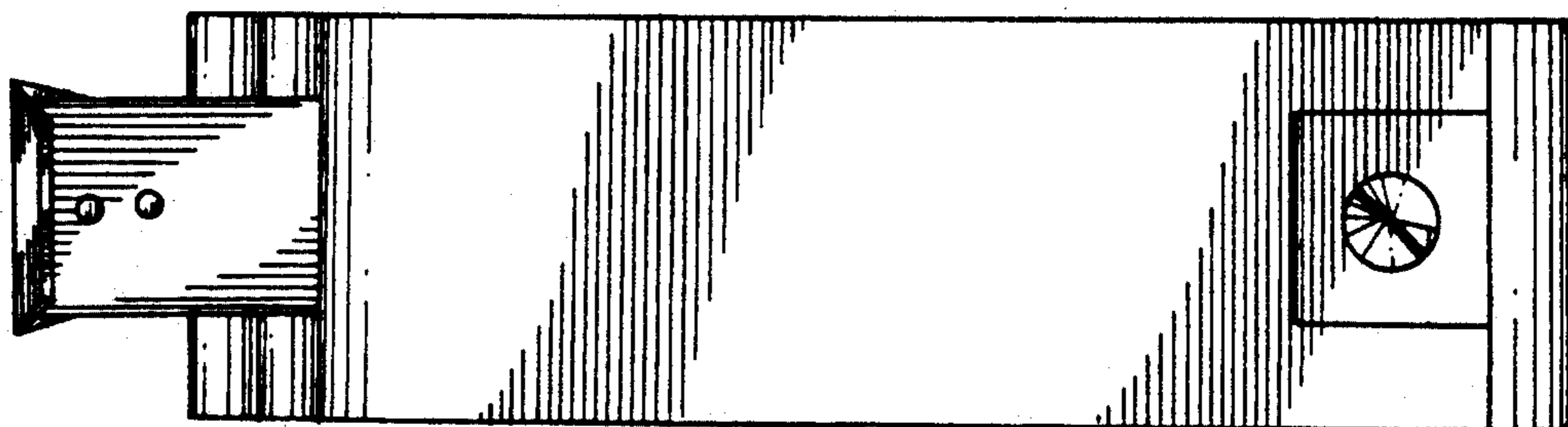


FIG. 6.