



US00D339525S

United States Patent [19]

[11] Patent Number: Des. 339,525

Morris, Sr.

[45] Date of Patent: ** Sep. 21, 1993

[54] SHOCK ABSORBING LID FOR CONTAINERS

4,732,288 3/1988 Morris, Sr. 251/214
4,967,926 11/1990 Morris, Sr. 220/323

[76] Inventor: Glenn H. Morris, Sr., 1192 Cumberland Rd., Chattanooga, Tenn. 37419

Primary Examiner—Alan P. Douglas
Assistant Examiner—Ann Hunt
Attorney, Agent, or Firm—Brady, O'Boyle & Gates

[**] Term: 14 Years

[57] CLAIM

[21] Appl. No.: 784,807

The ornamental design for a shock absorbing lid for containers, as shown and described.

[22] Filed: Oct. 30, 1991

DESCRIPTION

[52] U.S. Cl. D9/435; D9/452; D9/454

[58] Field of Search D9/434, 435, 452, 454, D9/504; 220/200

FIG. 1 is a perspective view of the top and one side of a shock absorbing lid for containers showing my new design;

FIG. 2 is a top plan view thereof;

FIG. 3 is a front side elevation view thereof, showing the side shown in FIG. 1, the opposite rear side view being a mirror image thereof;

FIG. 4 is a bottom plan view thereof;

FIG. 5 is a right side view of FIG. 1, the opposite left side being a mirror image thereof;

FIG. 6 is a top plan view of a modified form of my new design, the side elevation views being the same as shown in FIGS. 3 and 5; and,

FIG. 7 is a bottom plan view thereof.

The broken line showing of environmental structure in FIG. 1 is for illustrative purposes only and forms no part of the claimed design.

[56] References Cited

U.S. PATENT DOCUMENTS

D. 113,419	2/1939	Fabrice	D9/438
D. 248,217	6/1978	Allen et al.	D9/443
D. 251,828	5/1979	Smith	D9/452
D. 292,380	10/1987	Smith	D9/454
D. 309,109	7/1990	Allen	D9/436
D. 317,126	5/1991	Morris, Sr.	D9/428
3,516,571	6/1970	Roper et al.	
3,934,747	1/1976	Needt	220/5 R
3,942,679	3/1976	Starr	220/355
4,034,886	7/1977	Galer	220/72

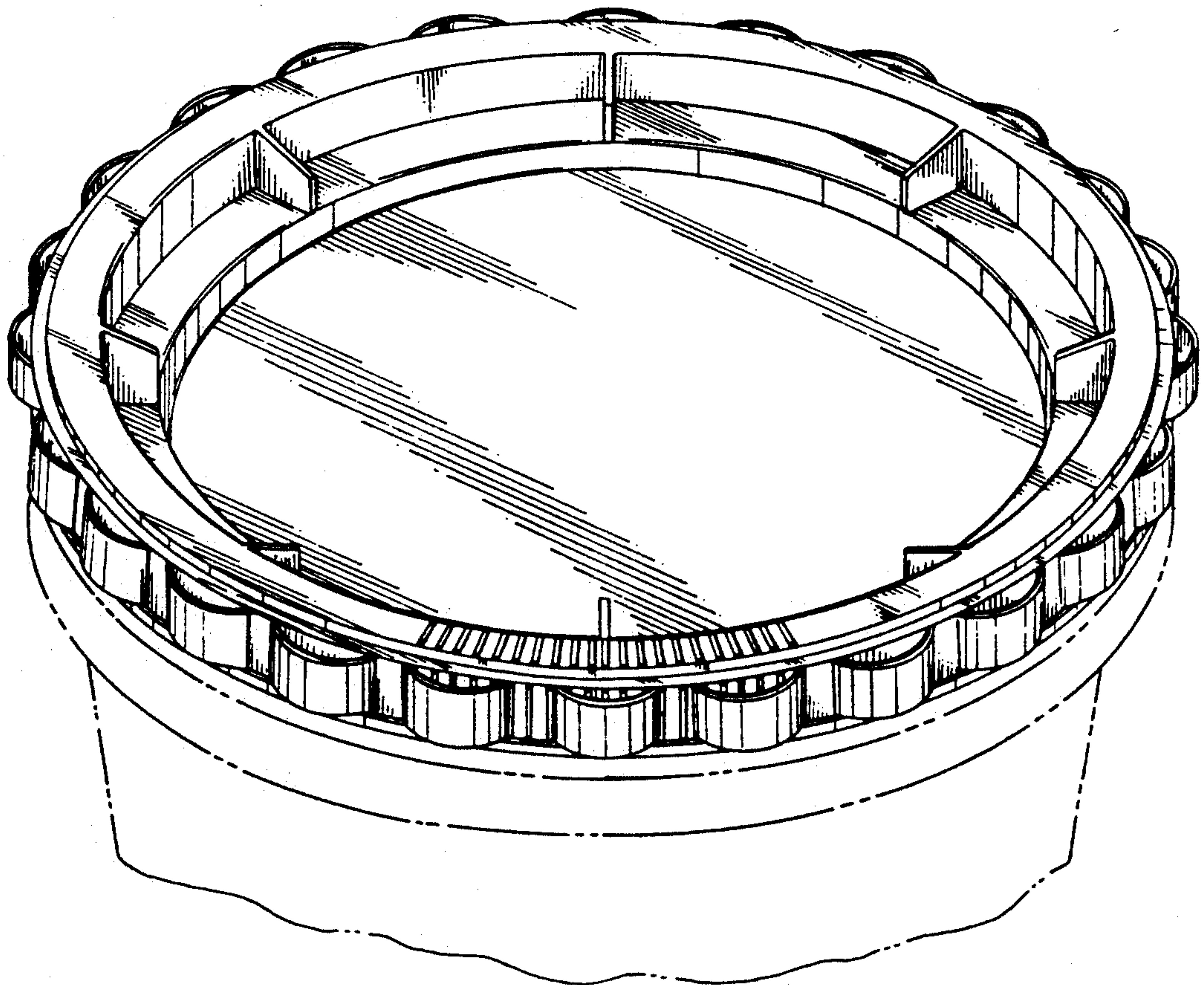
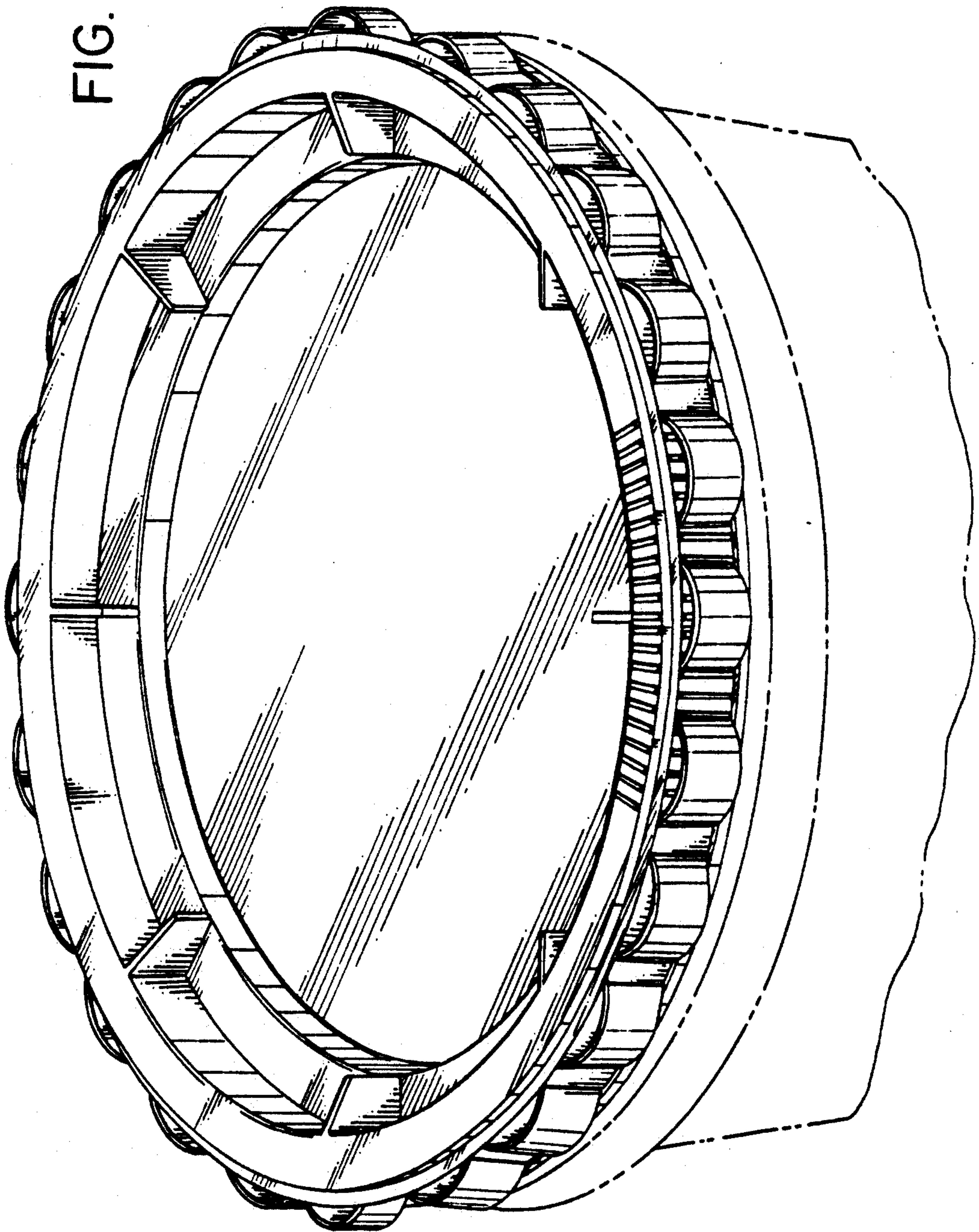


FIG. 1



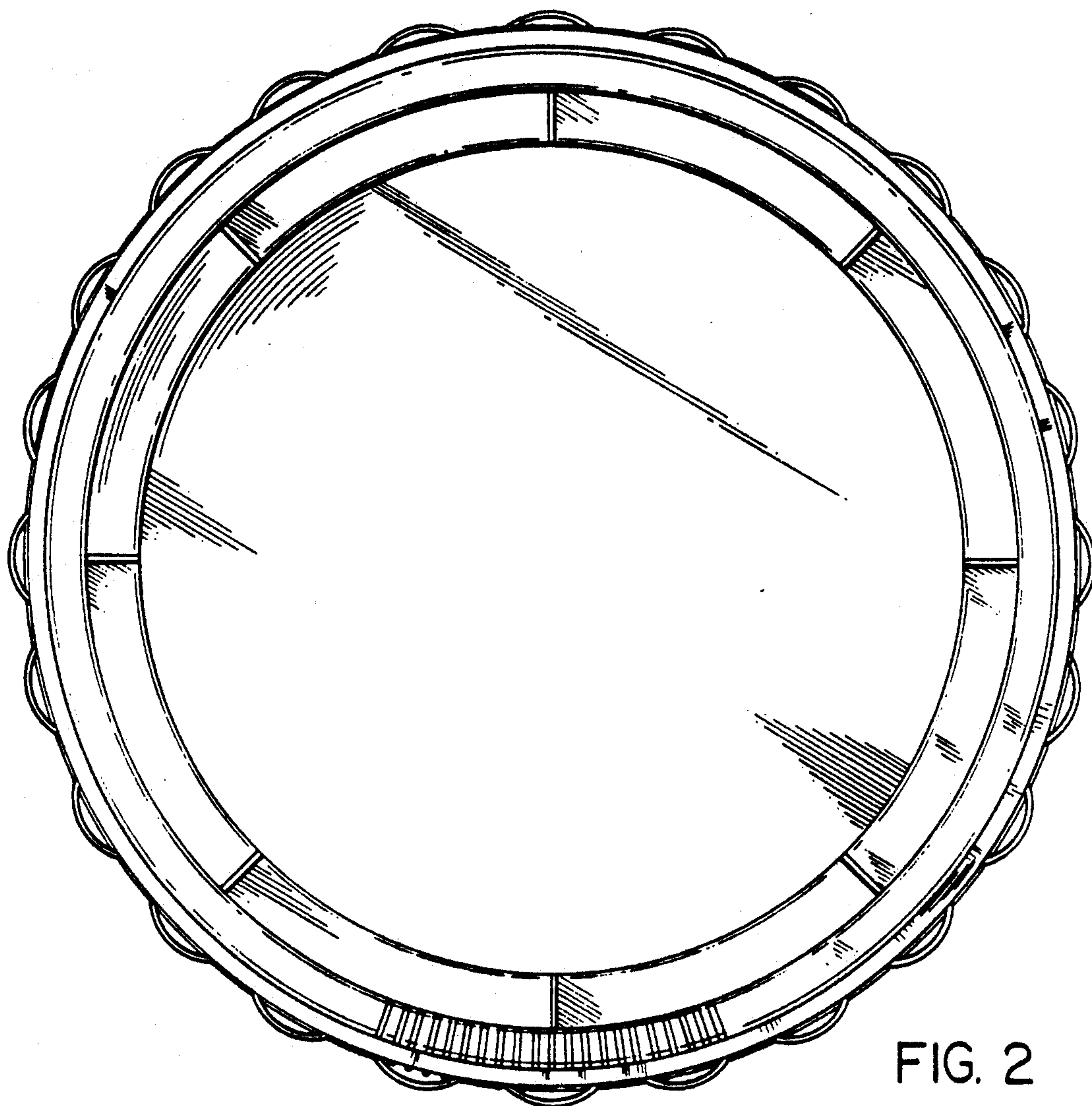
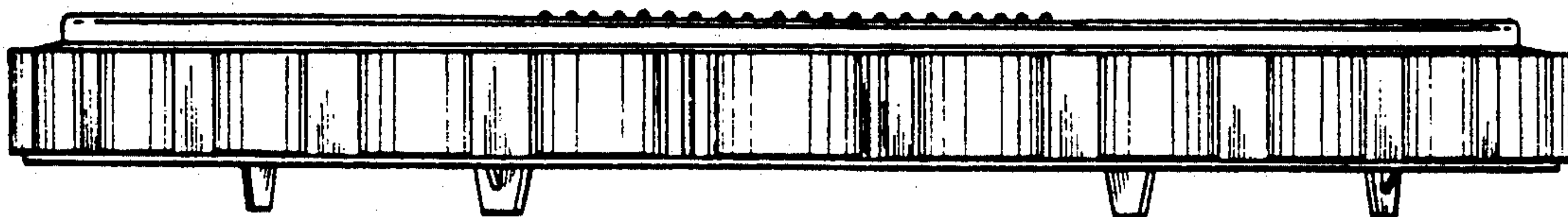


FIG. 2

FIG. 3



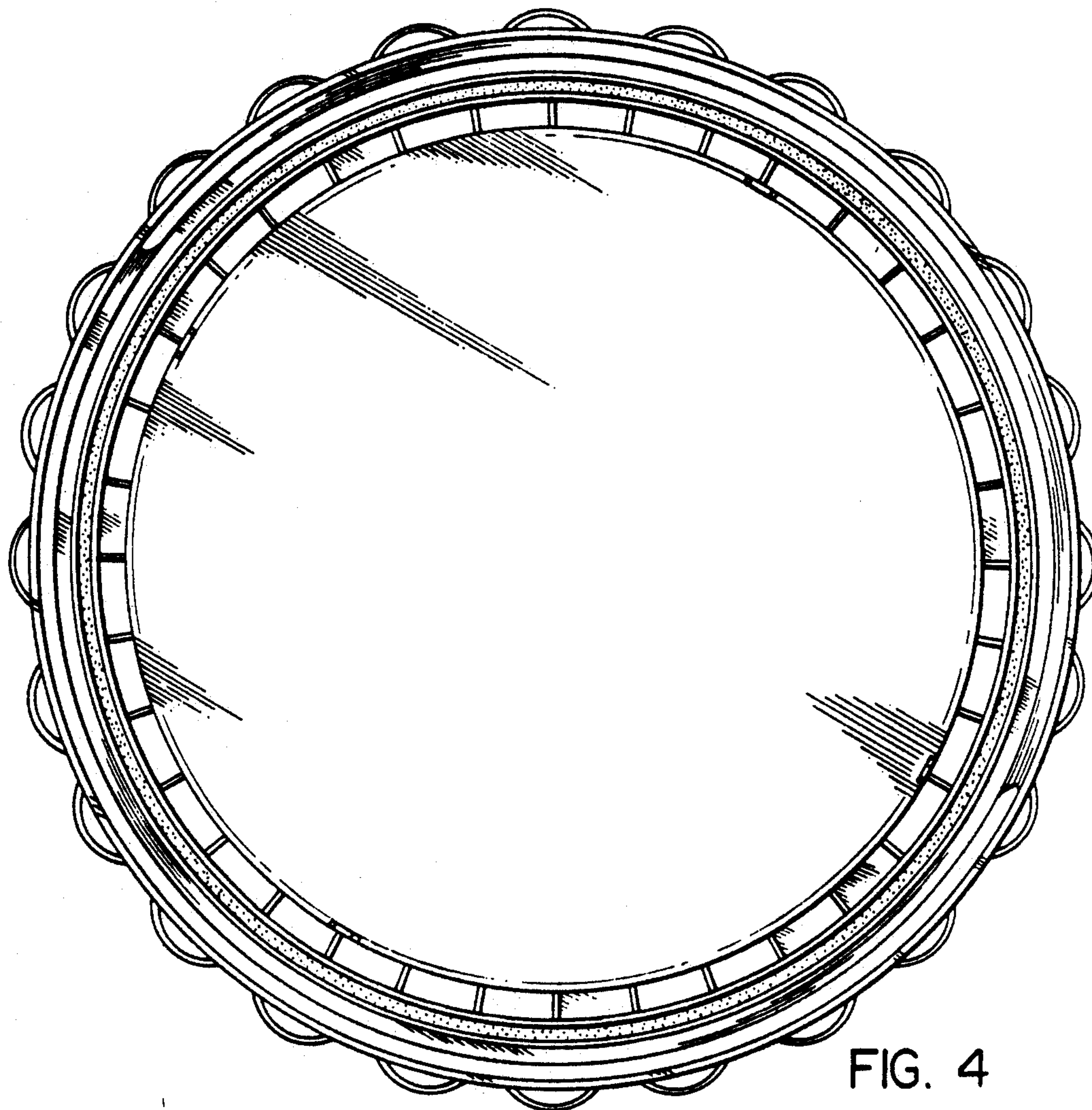


FIG. 4

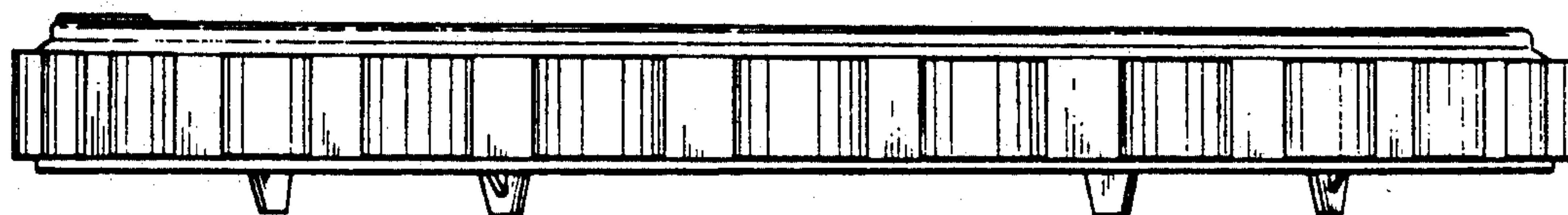


FIG. 5

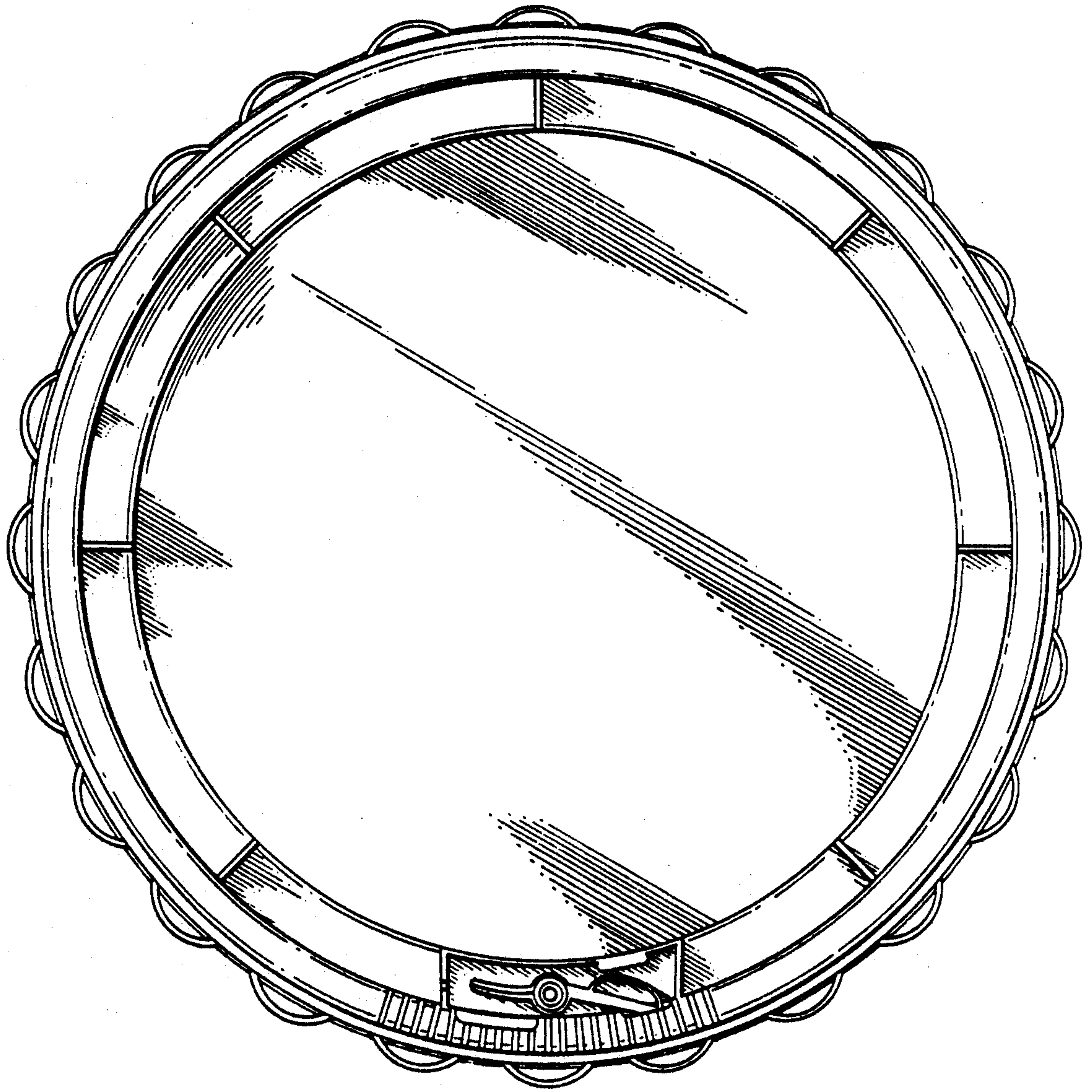


FIG. 6

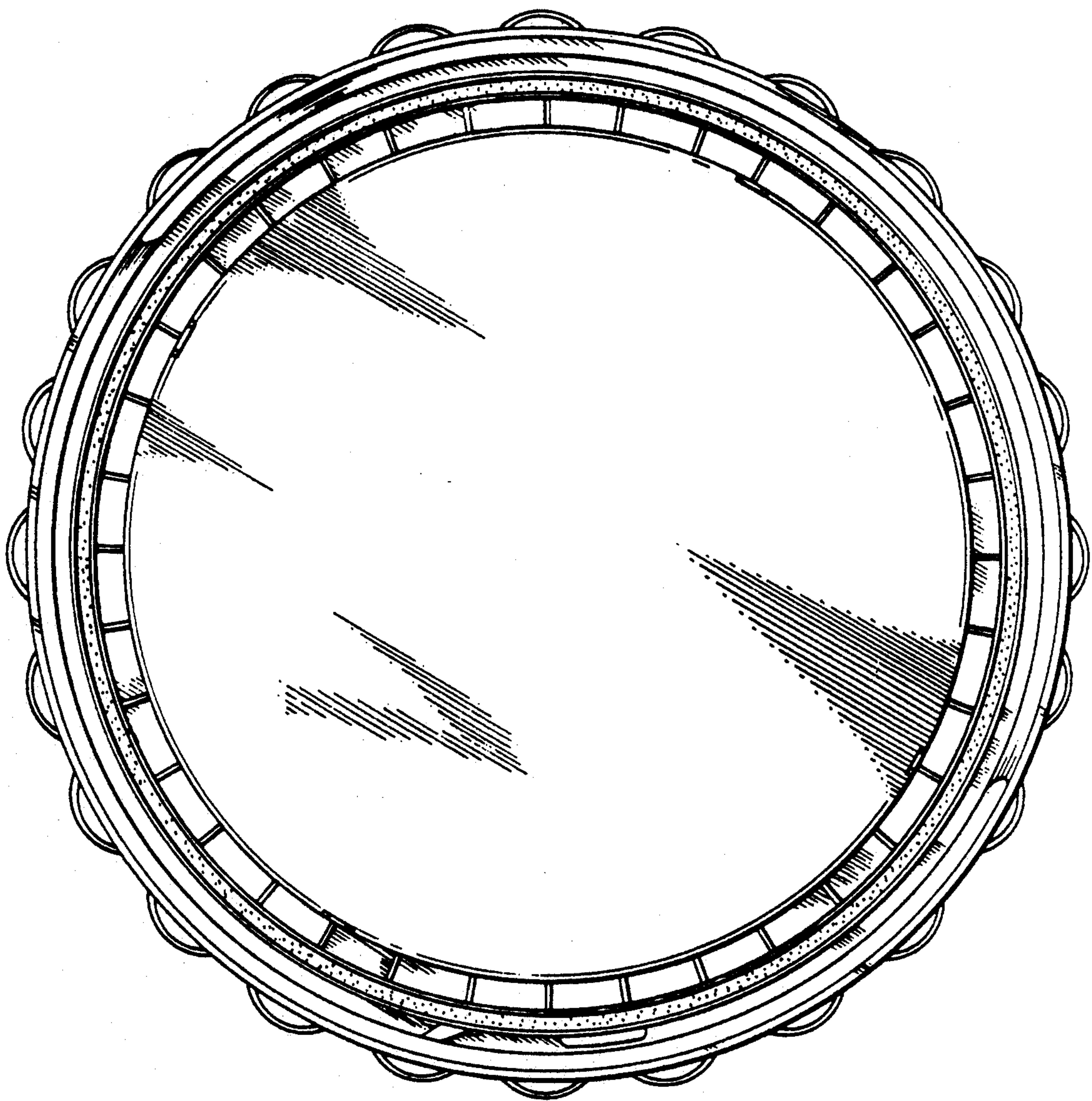


FIG. 7