



US00D339524S

United States Patent [19]

Morris, Sr.

[11] Patent Number: Des. 339,524

[45] Date of Patent: ** Sep. 21, 1993

[54] SHOCK ABSORBING LID FOR LIQUID CONTAINERS

[76] Inventor: Glenn H. Morris, Sr., 1192 Cumberland Rd., Chattanooga, Tenn. 37419

[**] Term: 14 Years

[21] Appl. No.: 784,804

[22] Filed: Oct. 30, 1991

[52] U.S. Cl. D9/435; D9/452; D9/454

[58] Field of Search D9/434, 435, 452, 454, D9/504; 220/200

[56] **References Cited**

U.S. PATENT DOCUMENTS

D. 113,419	2/1939	Fabrice	D9/438
D. 248,217	6/1978	Allen et al.	D9/443
D. 251,828	5/1979	Smith	D9/452
D. 292,380	10/1987	Smith	D9/454
D. 309,109	7/1990	Allen	D9/436
D. 317,126	5/1991	Morris, Sr.	D9/435
D. 323,116	1/1992	Dart et al.	D9/435
3,516,571	6/1970	Roper et al.	
3,934,747	1/1976	Needt	220/5 R

3,942,679	3/1976	Starr	220/355
4,034,886	7/1977	Galer	220/72
4,732,288	3/1988	Morris, Sr.	251/214
4,967,926	11/1990	Morris, Sr.	220/323

Primary Examiner—Alan P. Douglas
Assistant Examiner—Ann Hunt
Attorney, Agent, or Firm—Brady, O'Boyle & Gates

[57] **CLAIM**

The ornamental design for a shock absorbing lid for liquid containers, as shown and described.

DESCRIPTION

FIG. 1 is a perspective view of the top and one side of a shock absorbing lid for liquid containers showing my new design;

FIG. 2 is a top plan view thereof;

FIG. 3 is a front side elevation view thereof, showing the side shown in FIG. 1, the opposite rear side being substantially a mirror image thereof;

FIG. 4 is a bottom plan view thereof; and,

FIG. 5 is a right side view of FIG. 1, the opposite left side being a mirror image thereof.

The broken line showing of environmental structure in FIG. 1 is for illustrative purposes only and forms no part of the claimed design.

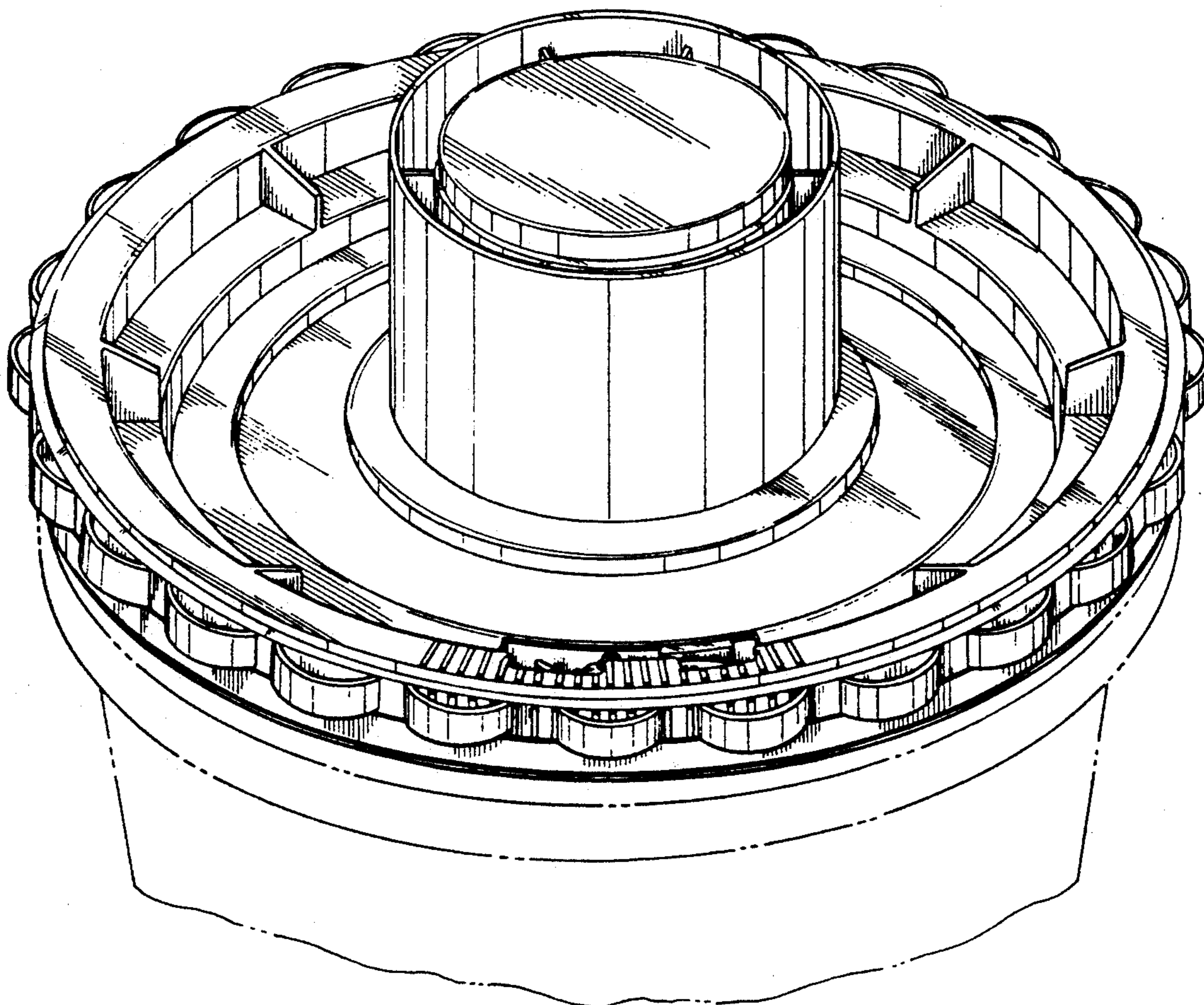
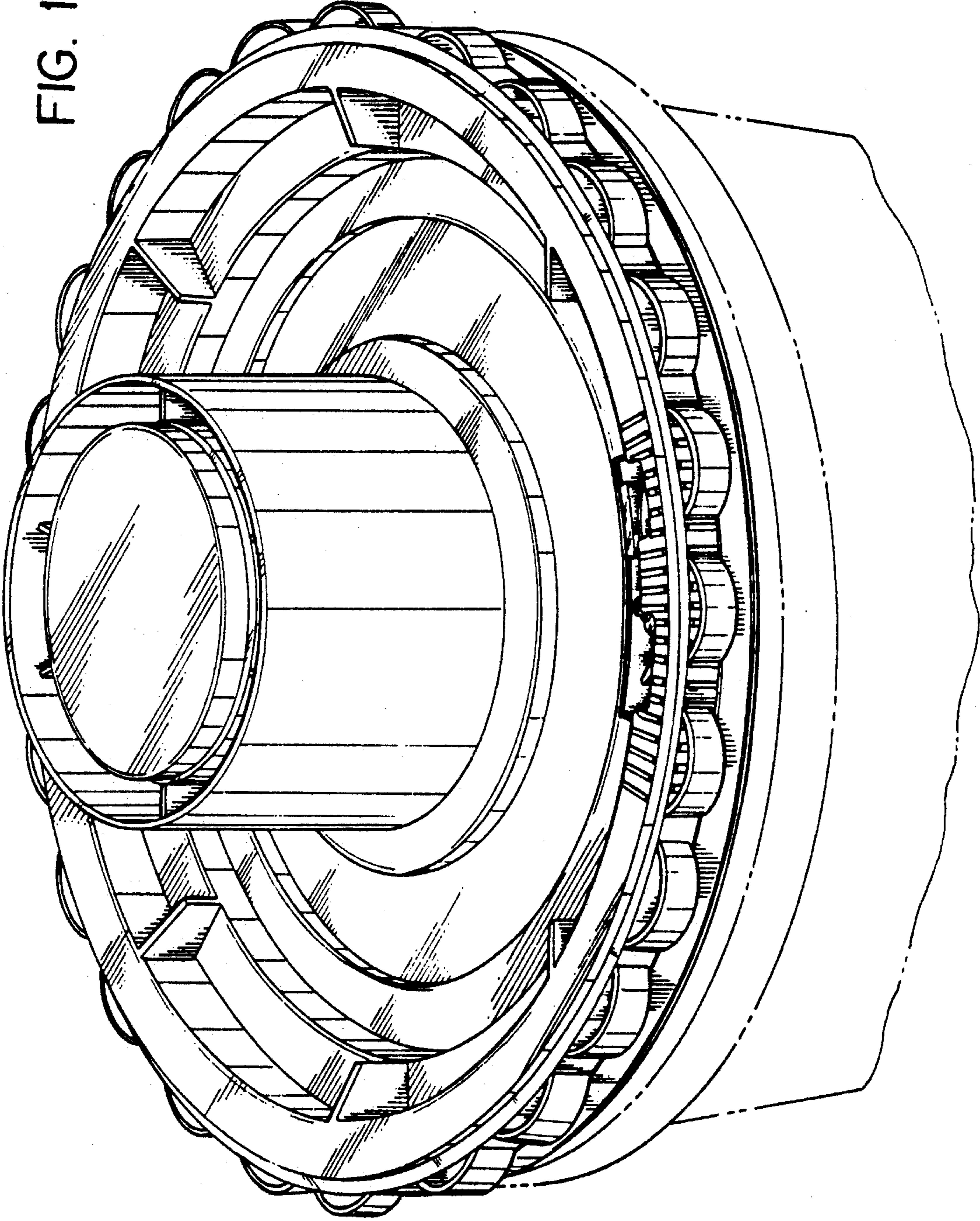


FIG. 1



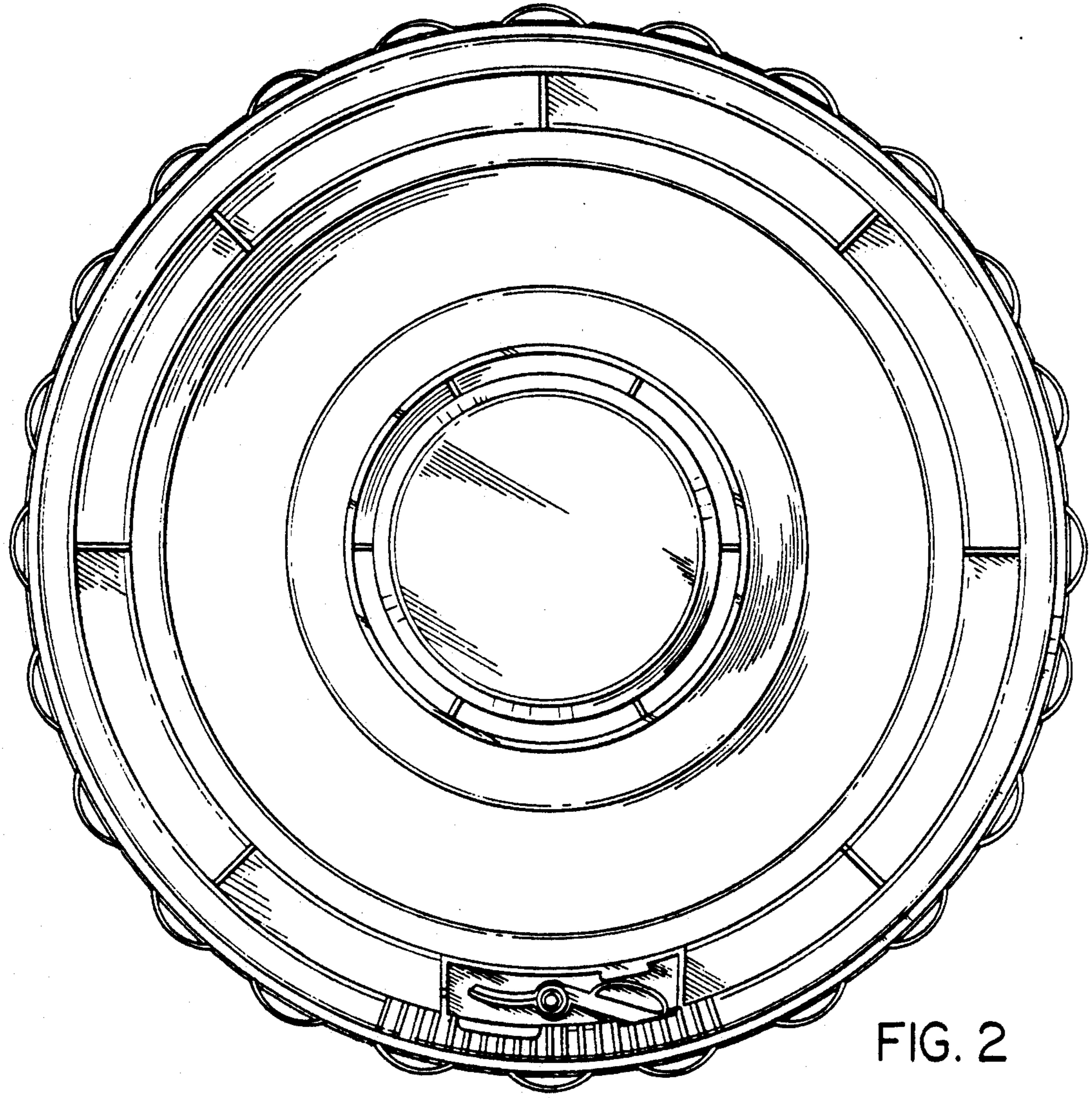


FIG. 2

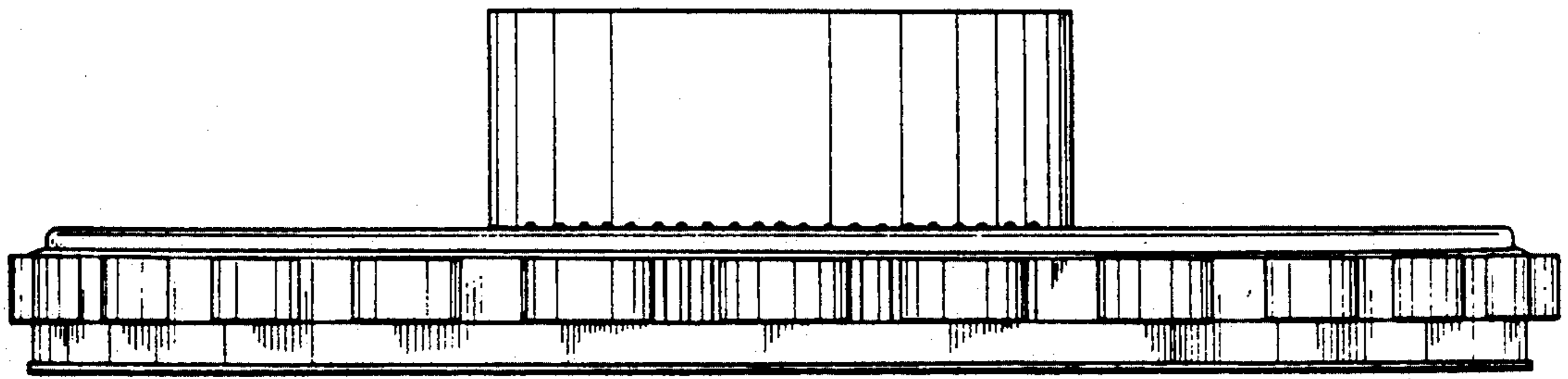


FIG. 3

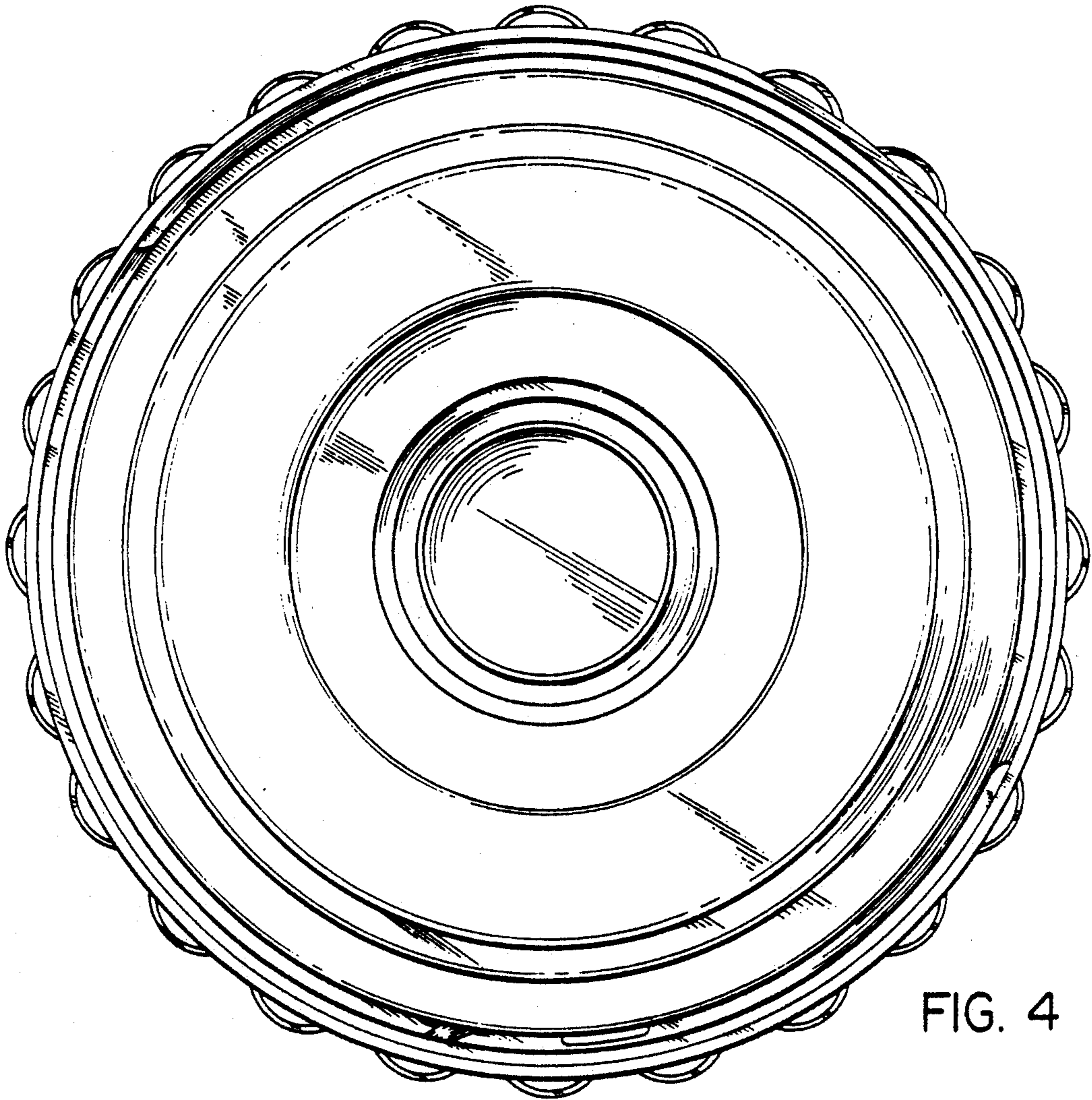


FIG. 4

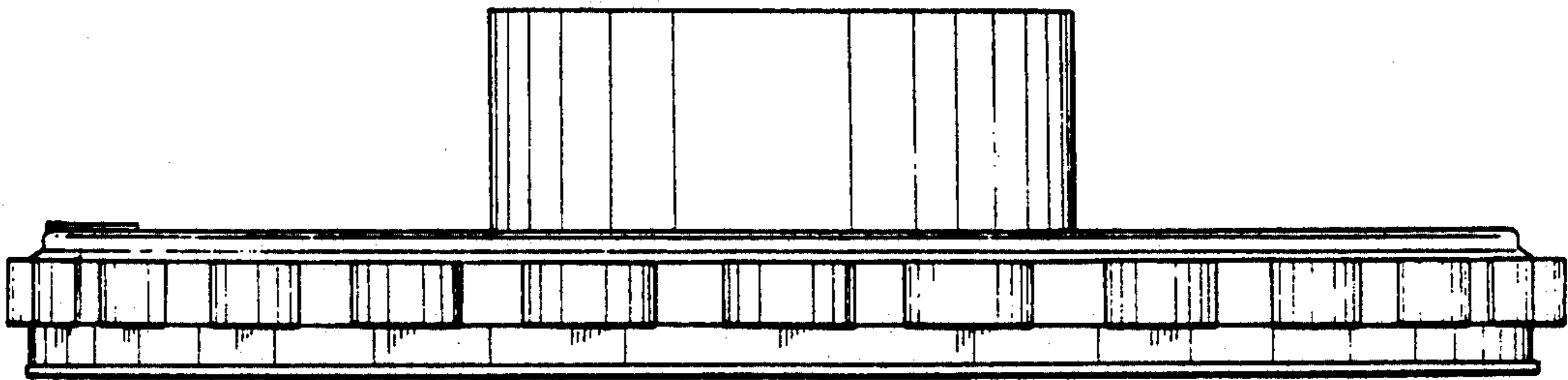


FIG. 5