



US00D339516S

**United States Patent** [19]  
**Prineppi**

[11] **Patent Number: Des. 339,516**  
[45] **Date of Patent: \*\* Sep. 21, 1993**

[54] **ADJUSTABLE UNIVERSAL HANDLE FOR LIFTING OBJECTS WITH PARALLEL OR CROSSOVER STRAPS**

2,416,621 2/1947 Gretschel ..... 190/116  
4,713,860 12/1987 Mobley et al. .... 16/112

[76] **Inventor: Frank Prineppi, 521 S. Andrews Ave., Suite 2, Fort Lauderdale, Fla. 33301**

*Primary Examiner—Kay H. Chin*  
*Attorney, Agent, or Firm—Joseph Zallen*

[\*\*] **Term: 14 Years**

[57] **CLAIM**

The ornamental design for adjustable universal handle for lifting objects with parallel or crossover straps, as shown and described.

[21] **Appl. No.: 773,078**

**DESCRIPTION**

[22] **Filed: Oct. 8, 1991**

[52] **U.S. Cl. .... D8/316; D34/28; D3/30.1**

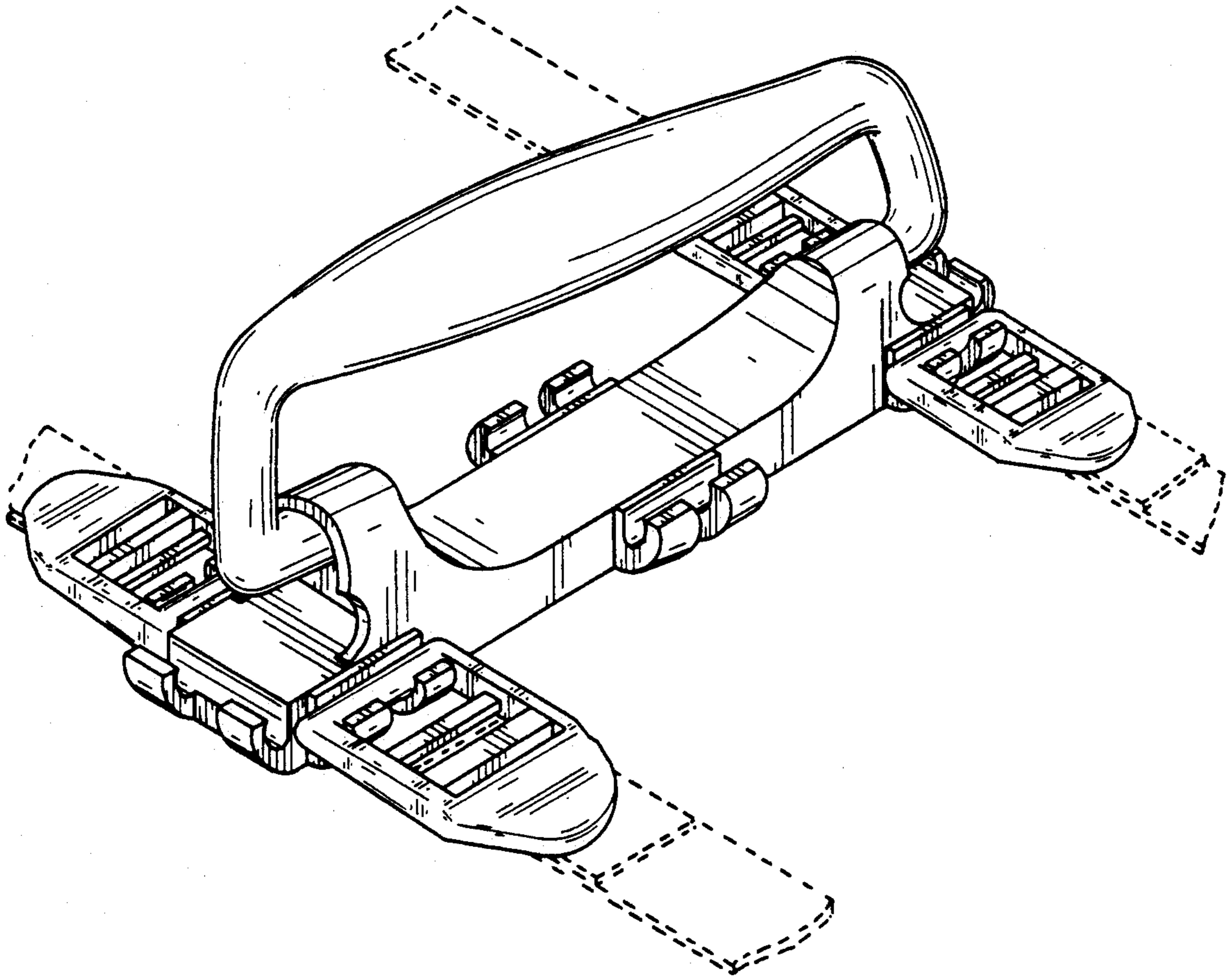
[58] **Field of Search .... D34/28; D3/30.1; D8/316, DIG. 1, 300, 303; 16/114 R, 111 R, 112; 40/642; 190/116; 294/167**

FIG. 1 is a right perspective view of an adjustable universal handle for lifting objects with parallel or crossover straps showing the handle arranged for parallel straps, the broken lines are for illustrative purposes only and form no part of the claimed design; FIG. 2 is a right side elevational view thereof, the left side view being the same; FIG. 3 is a left perspective view thereof showing the handle arranged for cross-over straps; FIG. 4 is a left side elevational view of FIG. 3, the right side view being the same; and, FIG. 5 is a bottom plan view of FIG. 3.

[56] **References Cited**

**U.S. PATENT DOCUMENTS**

D. 185,641 7/1959 Kotkins ..... D8/DIG. 1  
1,376,528 5/1921 Grant ..... 190/116  
1,808,890 6/1931 Grant ..... 190/116



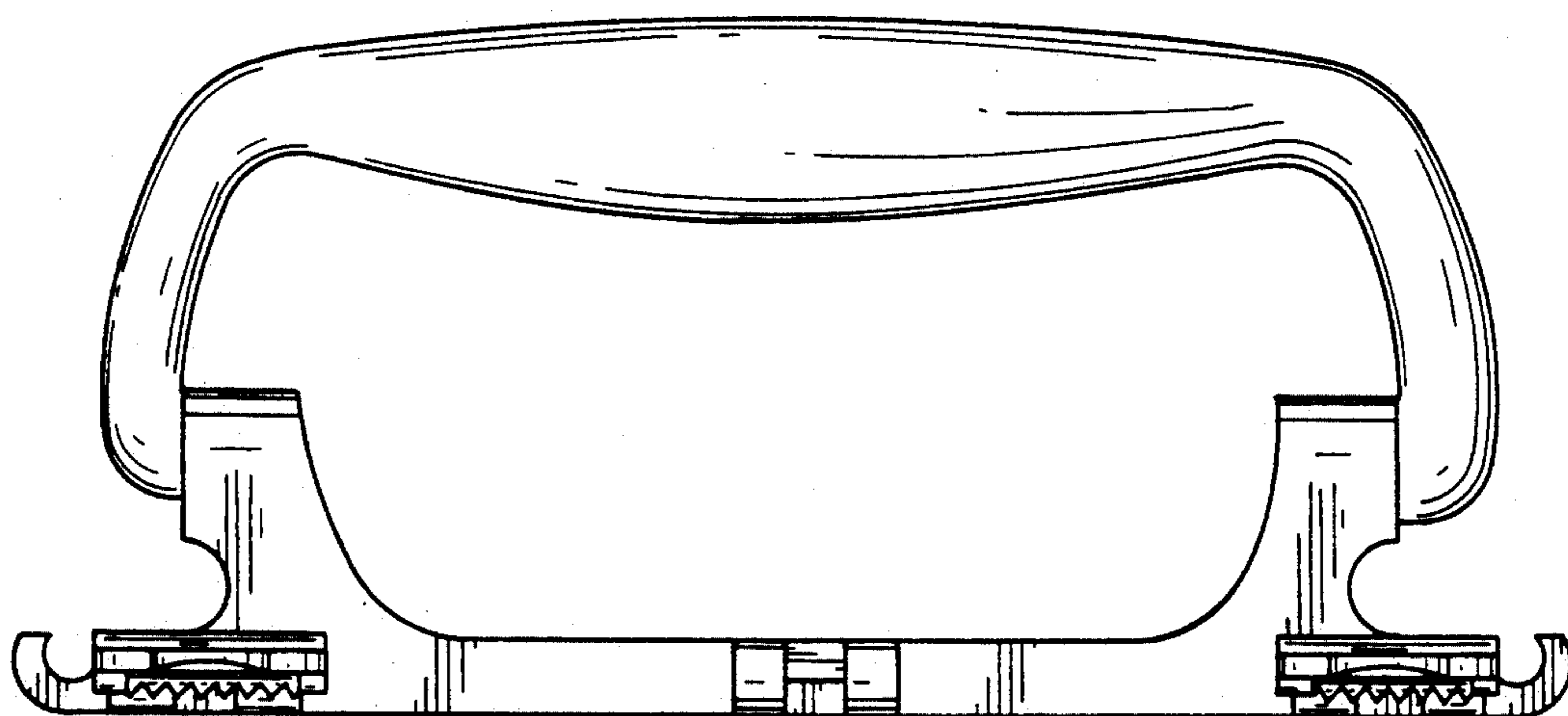
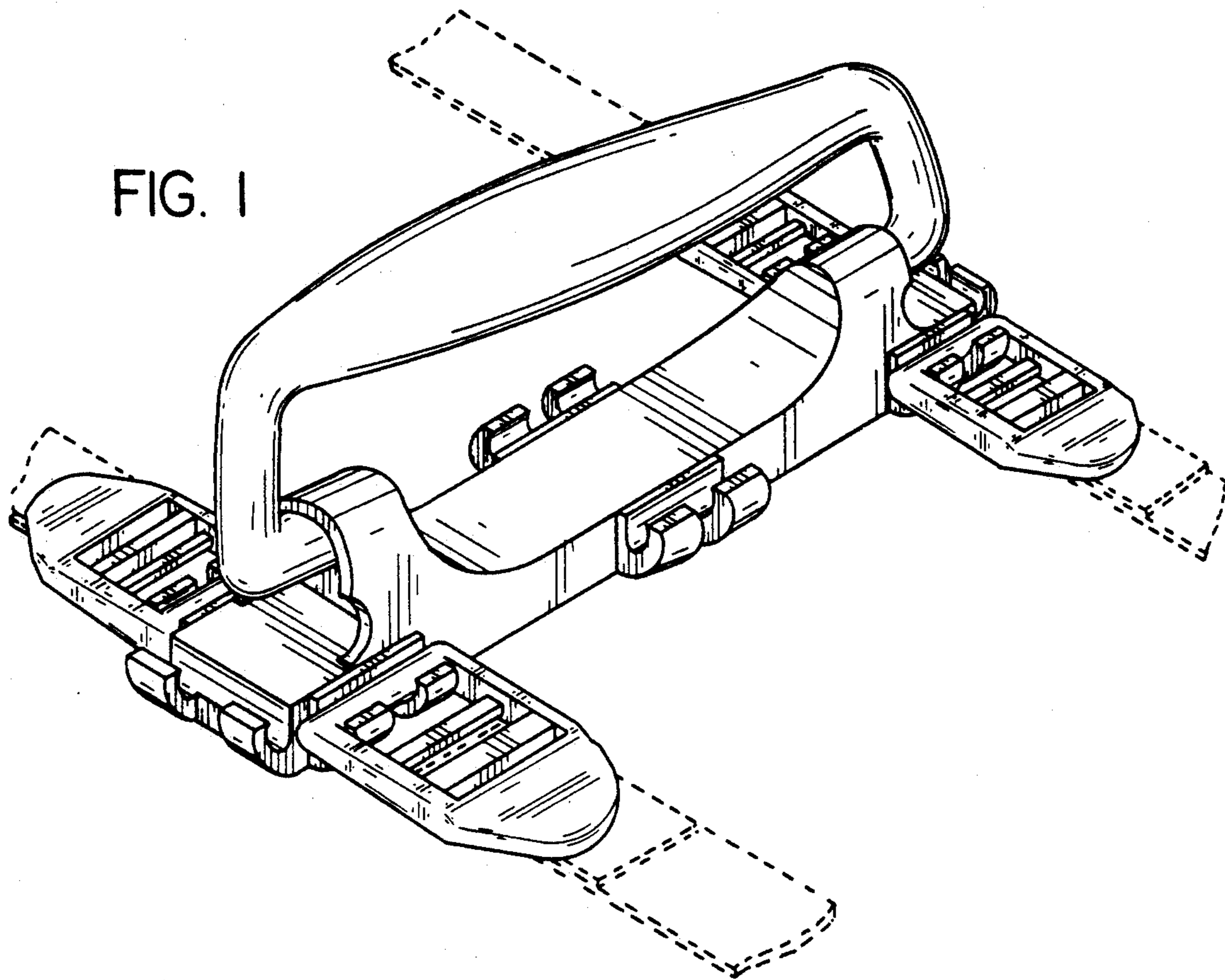


FIG. 2

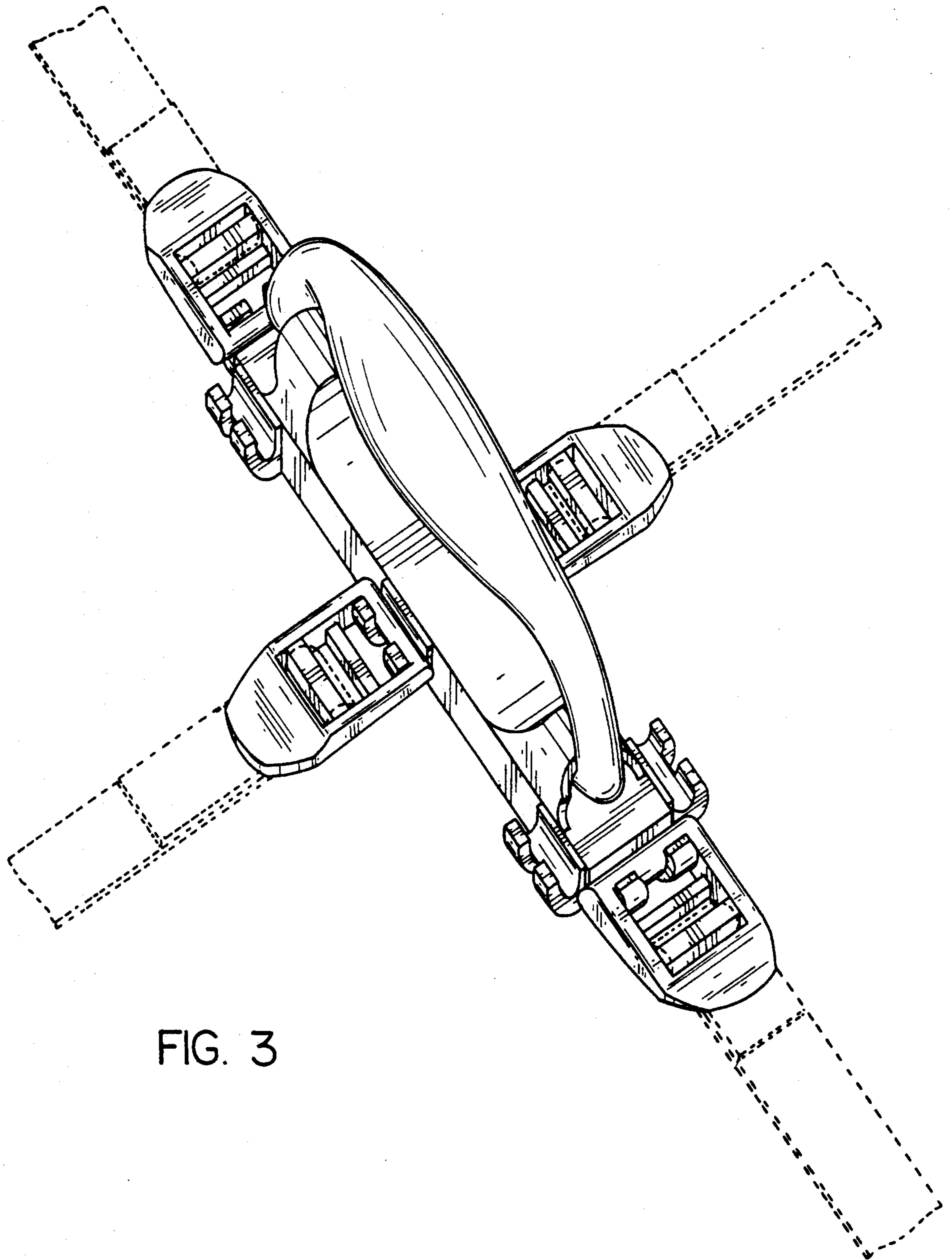


FIG. 3



FIG. 4

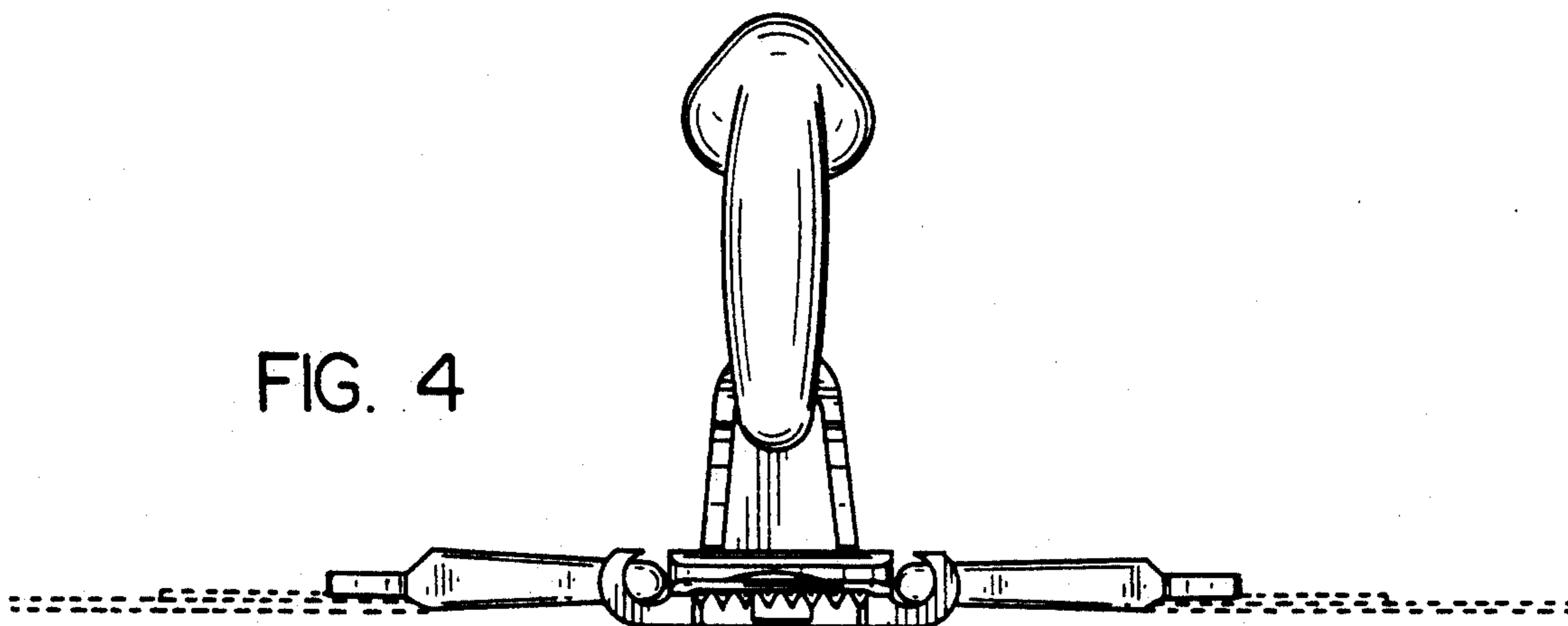


FIG. 5

