



US00D339513S

# United States Patent [19]

Kojima

[11] Patent Number: Des. 339,513

[45] Date of Patent: \*\* Sep. 21, 1993

[54] ASHTRAY WITH AIR-CLEANER

[75] Inventor: Yoshikazu Kojima, Kita, Japan

[73] Assignee: Kobishi Electric Co., Ltd., Tokyo, Japan

[\*\*] Term: 14 Years

[21] Appl. No.: 306,036

[22] Filed: Feb. 1, 1989

[30] Foreign Application Priority Data

Aug. 3, 1988 [JP] Japan ..... 639404

[52] U.S. Cl. .... D27/125; D27/135

[58] Field of Search ..... D27/102, 105, 125, 134, D27/135; 131/231, 238, 242, 332, 333; 55/385.8

[56] References Cited

U.S. PATENT DOCUMENTS

- D. 239,540 4/1976 Orel ..... D27/125
- D. 297,374 8/1988 Hilger ..... D27/135

- 2,657,090 10/1953 Meek ..... 131/231
- 4,520,345 5/1985 Smit ..... 131/231 X
- 4,671,300 6/1987 Grube et al. .... 55/385.8 X

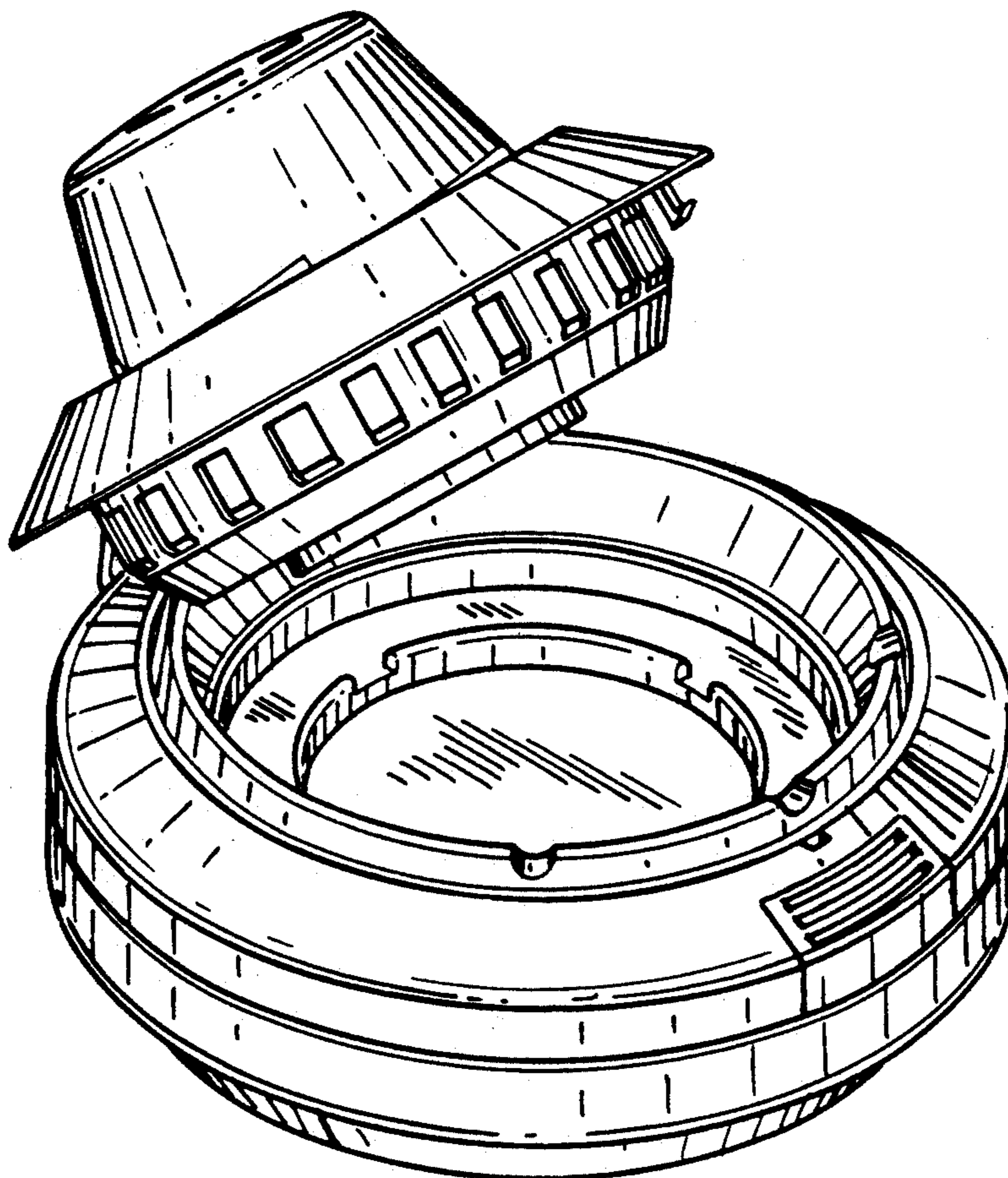
Primary Examiner—Susan J. Lucas  
Assistant Examiner—Joel Sincavage  
Attorney, Agent, or Firm—Darby & Darby

[57] CLAIM

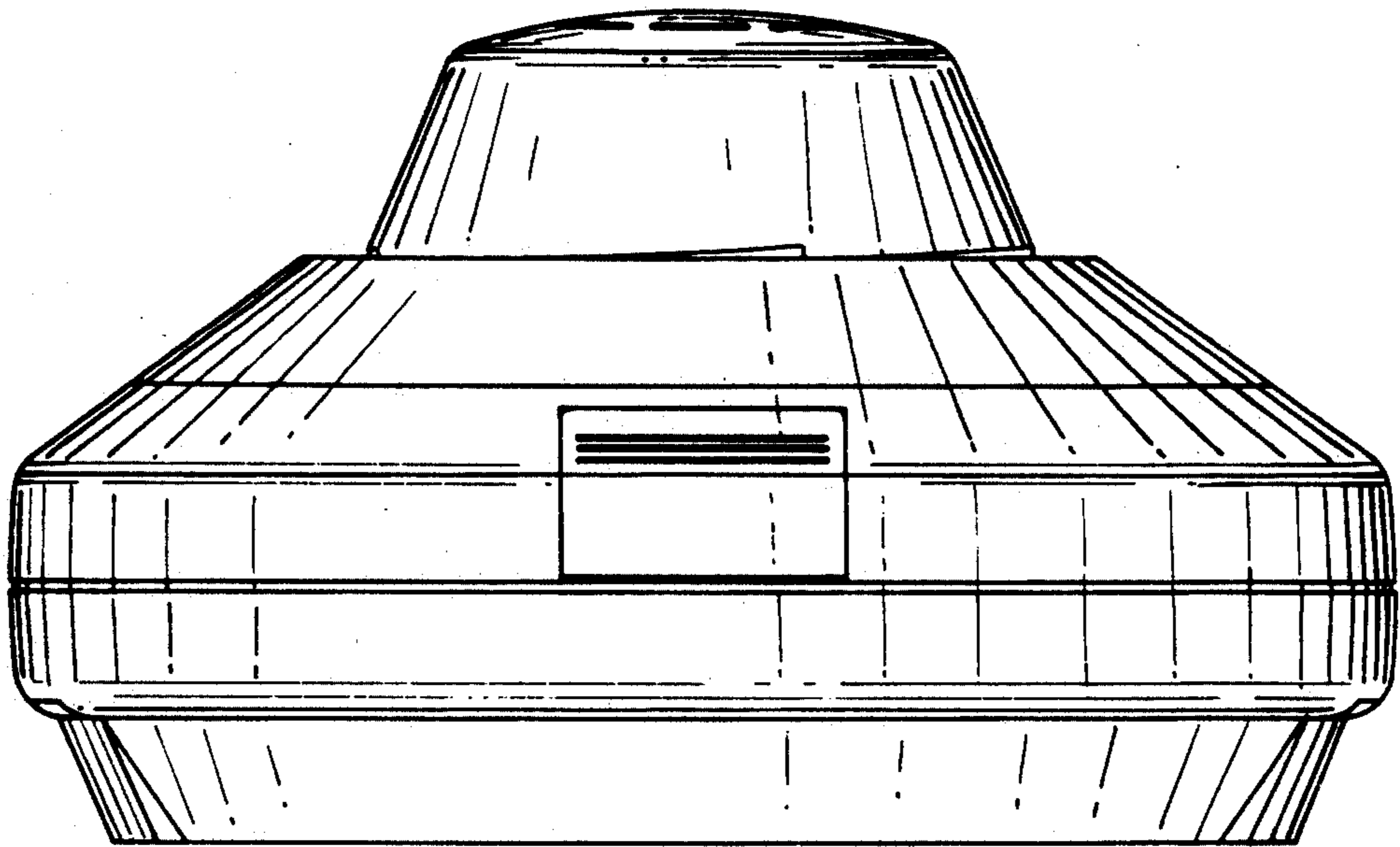
The ornamental design for an ashtray with air-cleaner, as shown and described.

DESCRIPTION

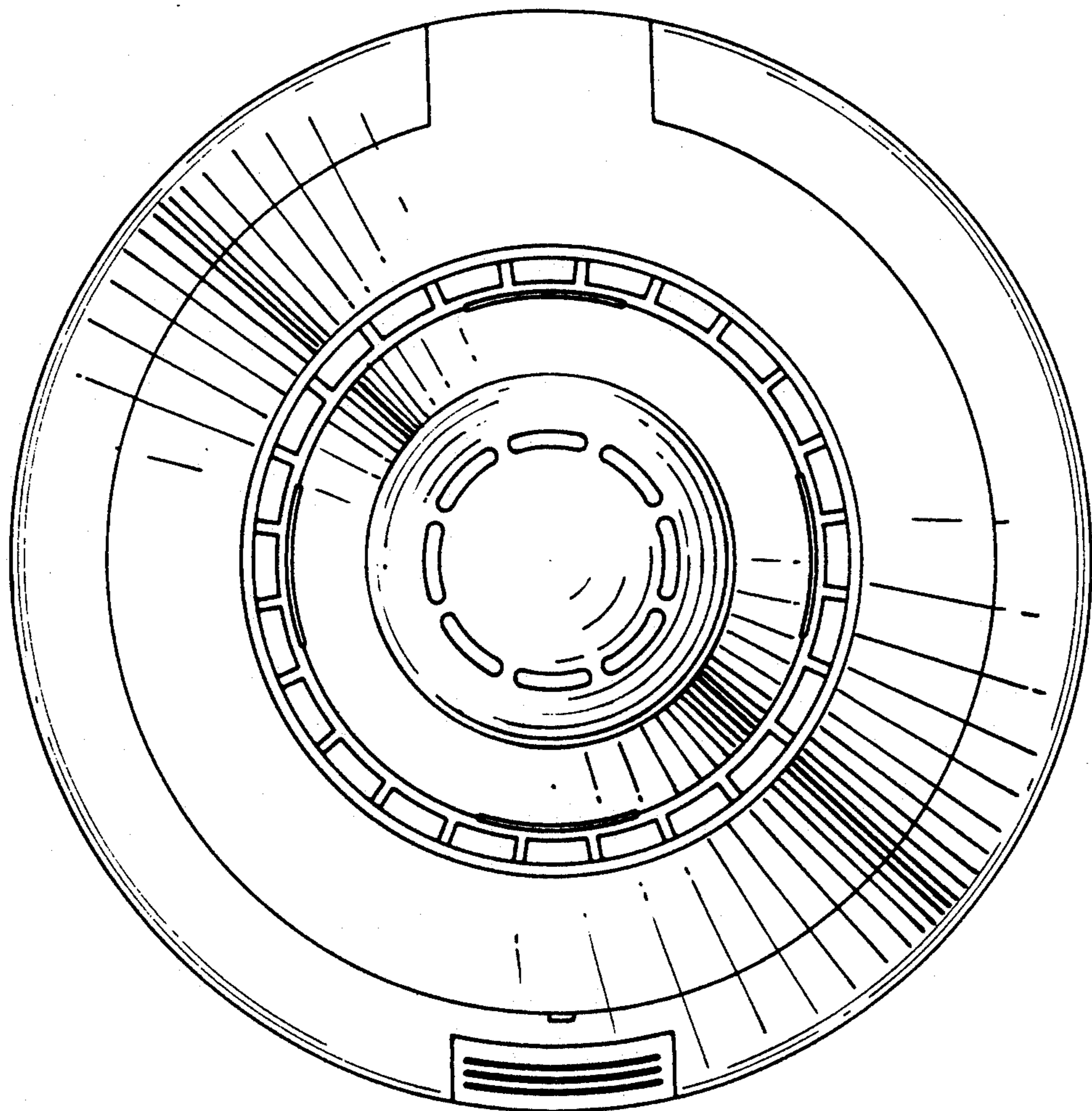
FIG. 1 is a front elevational view of an ashtray with air-cleaner showing my new design; FIG. 2 is a left side elevational view thereof; FIG. 3 is a top plan view thereof; FIG. 4 is a bottom view thereof; FIG. 5 is a rear elevational view thereof; FIG. 6 is a perspective view thereof; and, FIG. 7 is a perspective view thereof showing my new design in the open position.



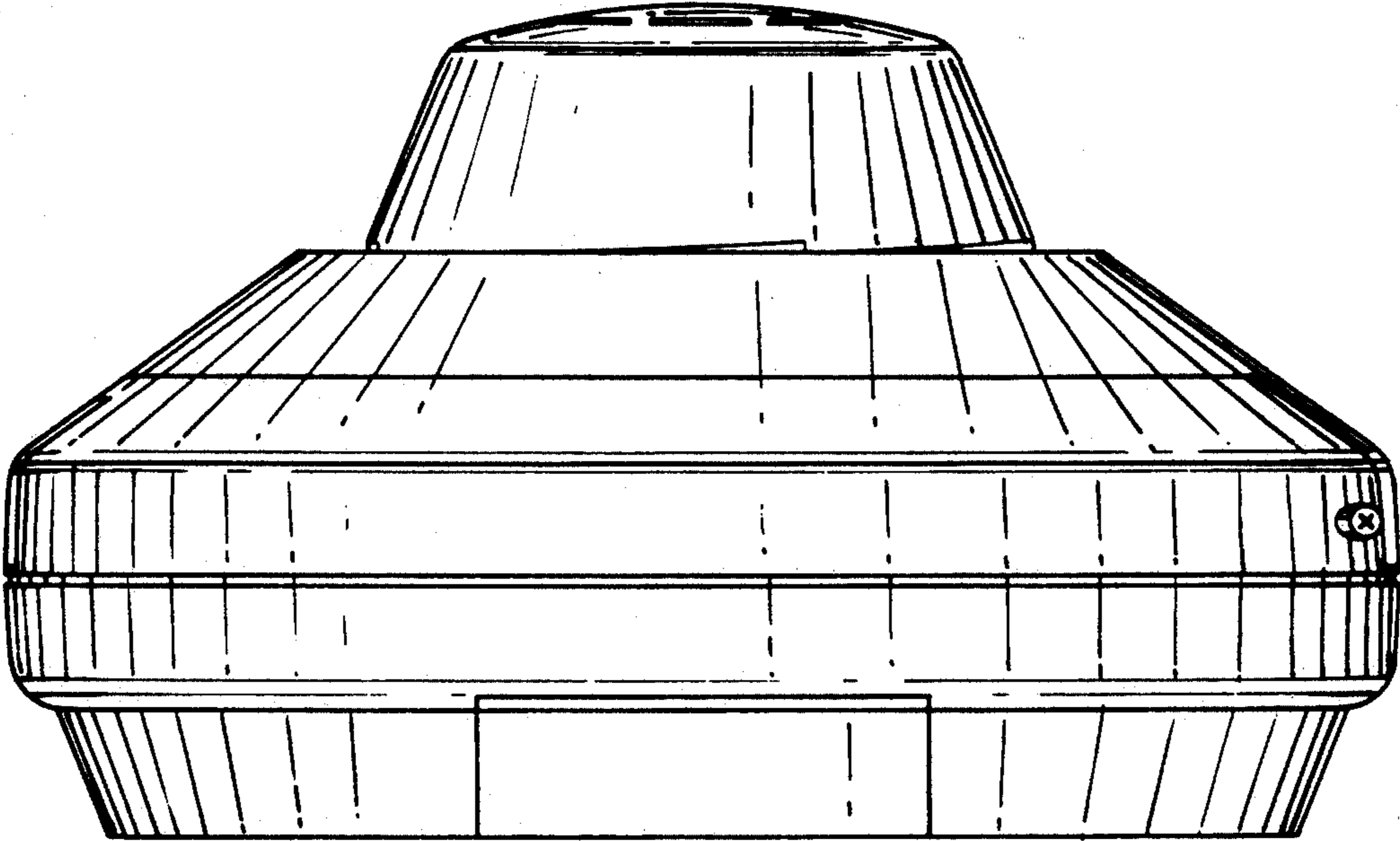
**FIG. 1**



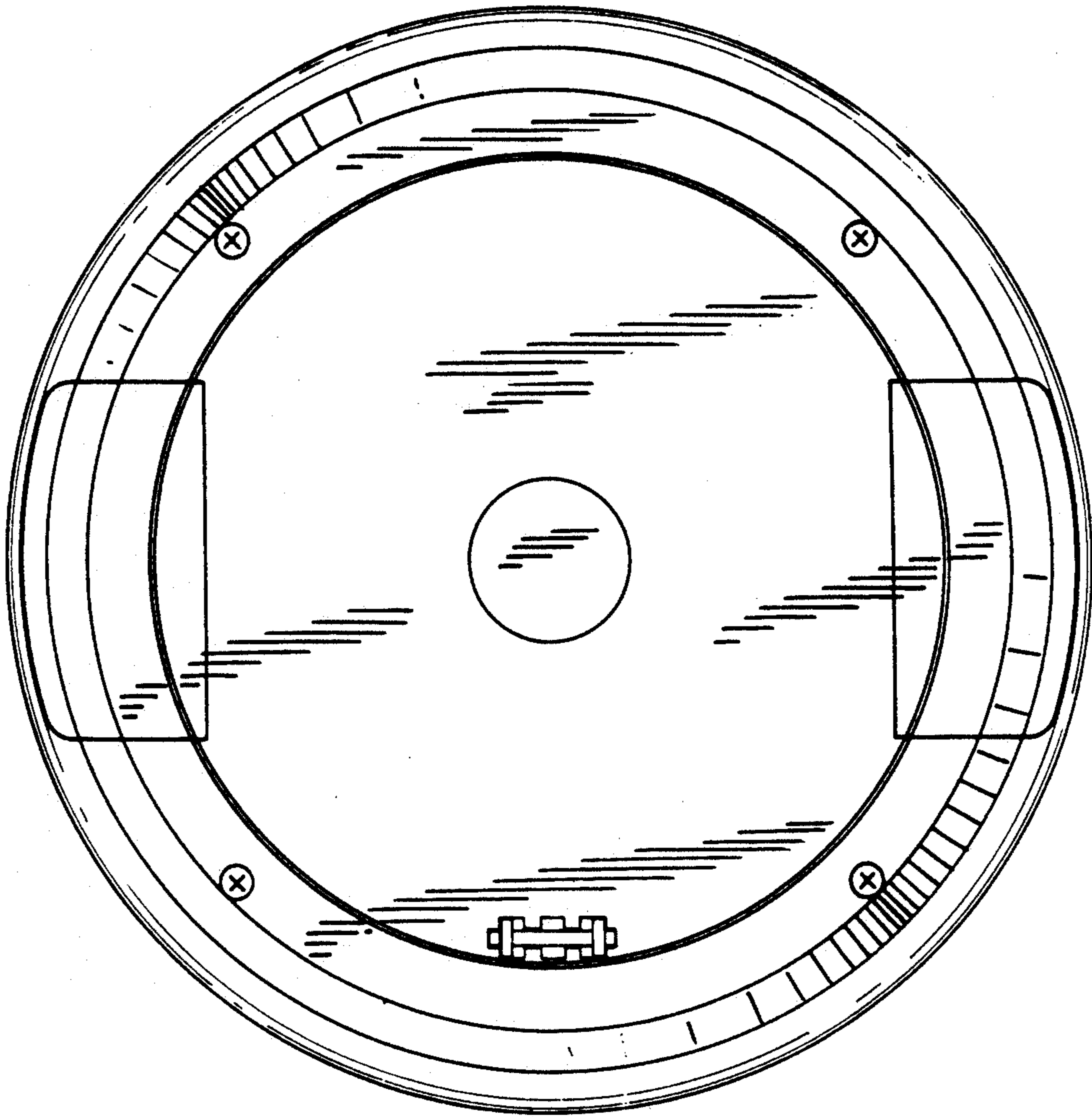
**FIG. 3**



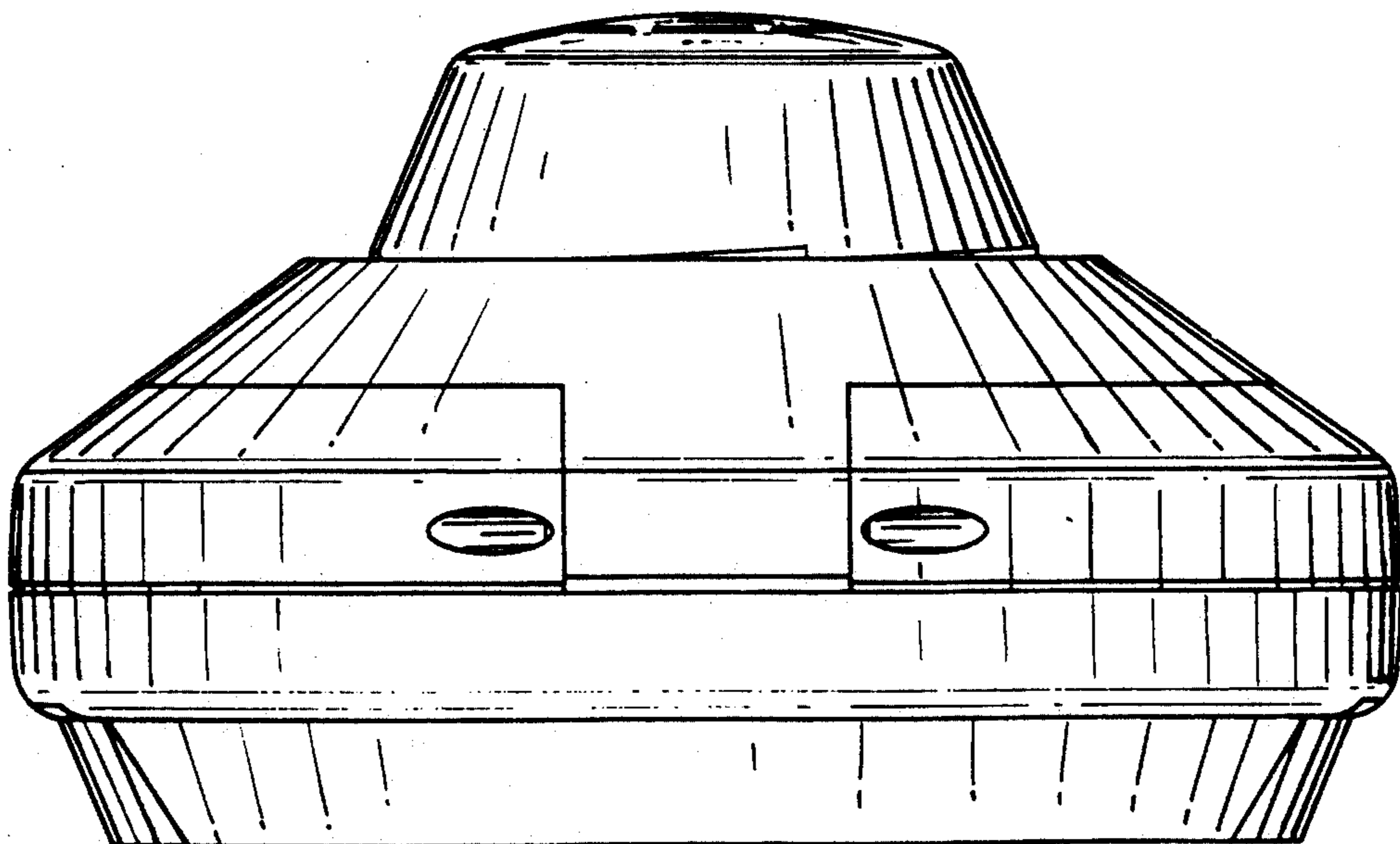
**FIG. 2**



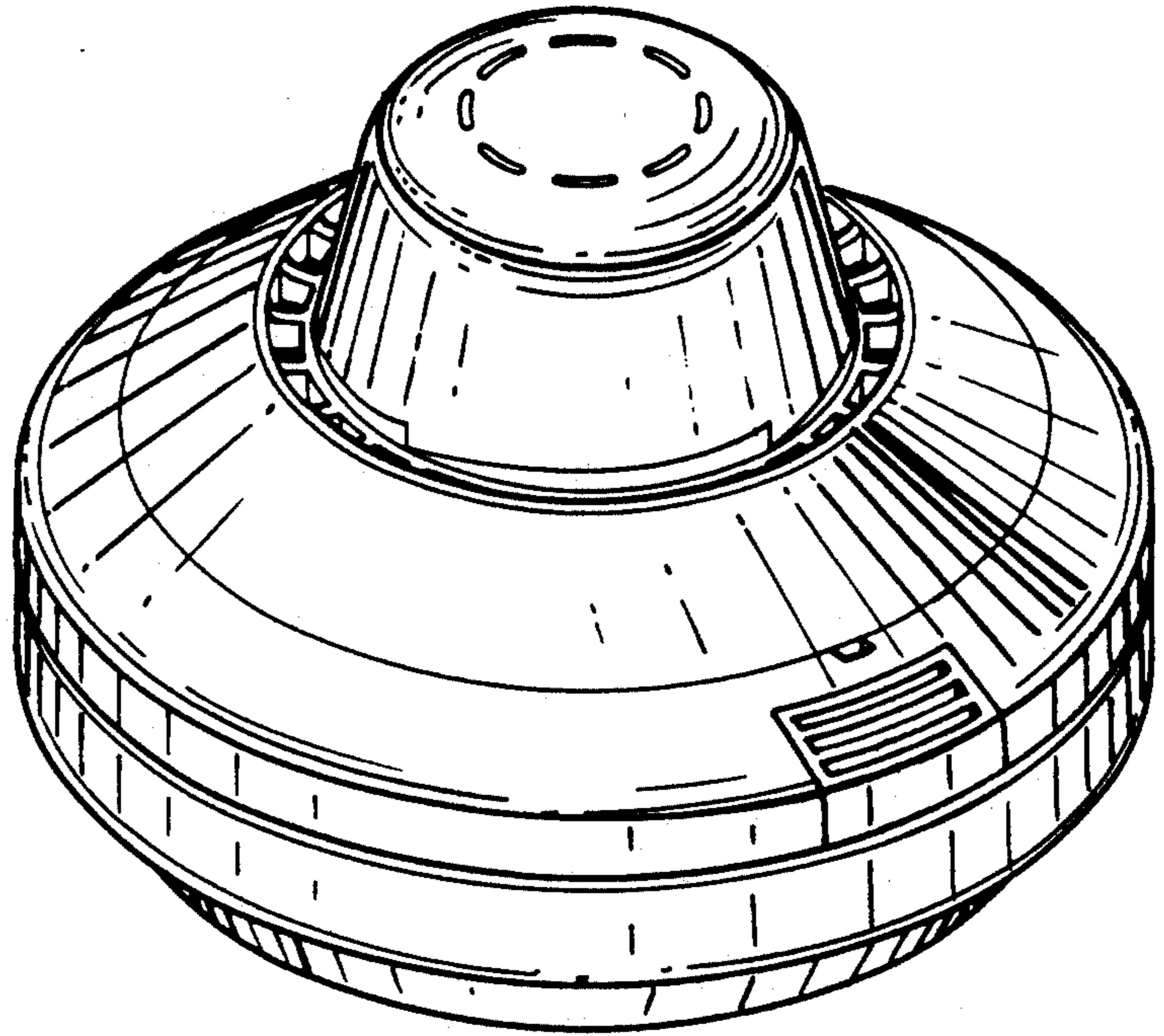
**FIG. 4**



**FIG. 5**



**FIG. 6**



**FIG. 7**

