



US00D339506S

# United States Patent [19]

[11] Patent Number: **Des. 339,506**

Feer

[45] Date of Patent: **\*\* Sep. 21, 1993**

[54] **COLANDER**

[75] Inventor: **David L. Feer, Medina, Ohio**

[73] Assignee: **Rubbermaid Incorporated, Wooster, Ohio**

[\*\*] Term: **14 Years**

[21] Appl. No.: **814,013**

[22] Filed: **Dec. 26, 1991**

[52] U.S. Cl. .... **D7/667**

[58] Field of Search ..... **D7/356, 400, 667-668; 99/403, 426; 210/464-465, 470, 473, 498-499**

[56] **References Cited**

**U.S. PATENT DOCUMENTS**

- D. 199,320 10/1964 Swett ..... D7/667
- D. 286,490 11/1986 Carlson ..... D7/667

**OTHER PUBLICATIONS**

Catalog Page, Colander, Iwasaki Industry Inc., No. 26 Showa Kogyo Danchi, 1216-5, Nukatabe Kita-machi, Yamato-Koriyama, Nara, 639-11 Japan. It is believed that the product depicted herein has been on sale for more than one year prior to the application date of this instant application.

Sell sheet, strainers, Bonny Products, Inc., street address unknown, Quakertown, Pa. 18951. Publication date Jul., 1990.

Sell sheet, strainers and colander, Bonny Products, Inc., street address unknown, Quakertown, Pa. 18951. Publication date 1985.

Sell sheet, colanders, The Foley Company, P.O. Box 648, Manitowoc, Wis. 54220. Publication date Feb., 1984.

Sell sheet, strainers, The Foley Company, P.O. Box 648, Manitowoc, Wis. 54220. Publication date Nov., 1985.

Catalog page, colander, Sterilite, 198 Main Street, P.O.

Box 524, Townsend, Mass. 01469. Publication date 1989.

Sell sheet, colander, Tucker Housewares, 345 Central Street, Leominster, Mass. 01453. Publication date 1989. Price list, colander, Corning Inc., Houghton Park, Corning N.Y. 14830. Publication date 1990.

Price list, strainers, Ekco Housewares Inc., 98 Spit Brook Road, Nashua, N.H. 03062. Publication date Sep., 1987.

Page 21, Colander, Curver, Takkebysters 75, Postbus 6810, 4802 HV Breda. Publication date Jan., 1991.

Page 18, strainer and colander, Dupol-Rubbermaid GmbH, An der Trift 63, D-6072 Dreieich. Publication date 1989.

Page 19, Colander, Rubbermaid Incorporated, 1147 Akron Road, Wooster, Ohio 44691. Publication date 1976.

Page 17, colander, Rubbermaid Incorporated, 1147 Akron Road, Wooster, Ohio 44691. Publication date 1986.

*Primary Examiner*—Terry A. Pfeffer  
*Attorney, Agent, or Firm*—Richard B. O'Planick; Lisa B. Riedesel

[57] **CLAIM**

The ornamental design for a colander, as shown and described.

**DESCRIPTION**

FIG. 1 is a top, front, right side perspective view of the colander showing my new design;

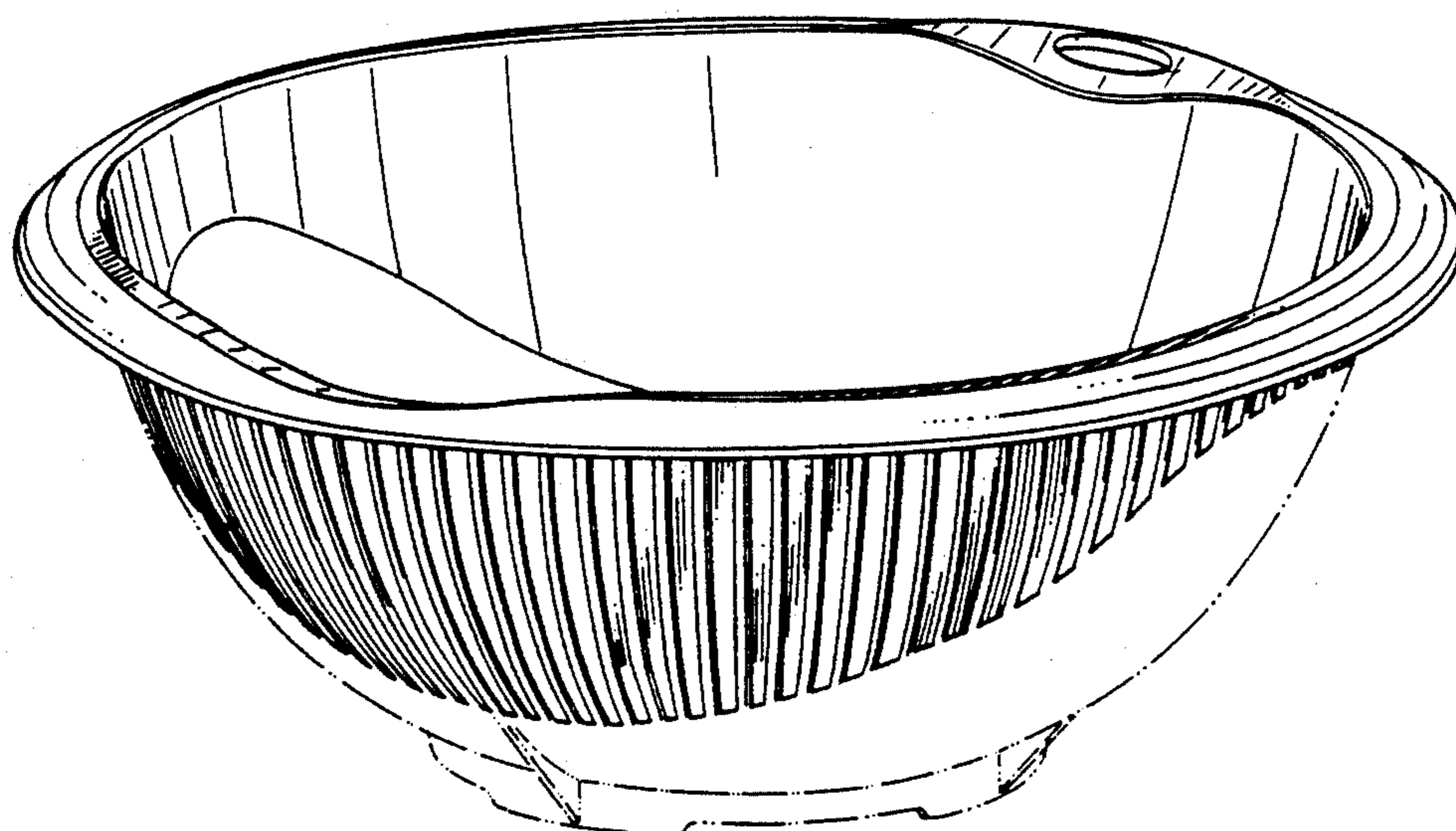
FIG. 2 is a top plan view thereof;

FIG. 3 is a bottom plan view thereof;

FIG. 4 is a side elevational view thereof, the opposite side being a mirror image; and,

FIG. 5 is a front elevational view thereof, the opposite side being a mirror image.

The bottom of the colander is shown for illustration only and forms no part of the invention as claimed.



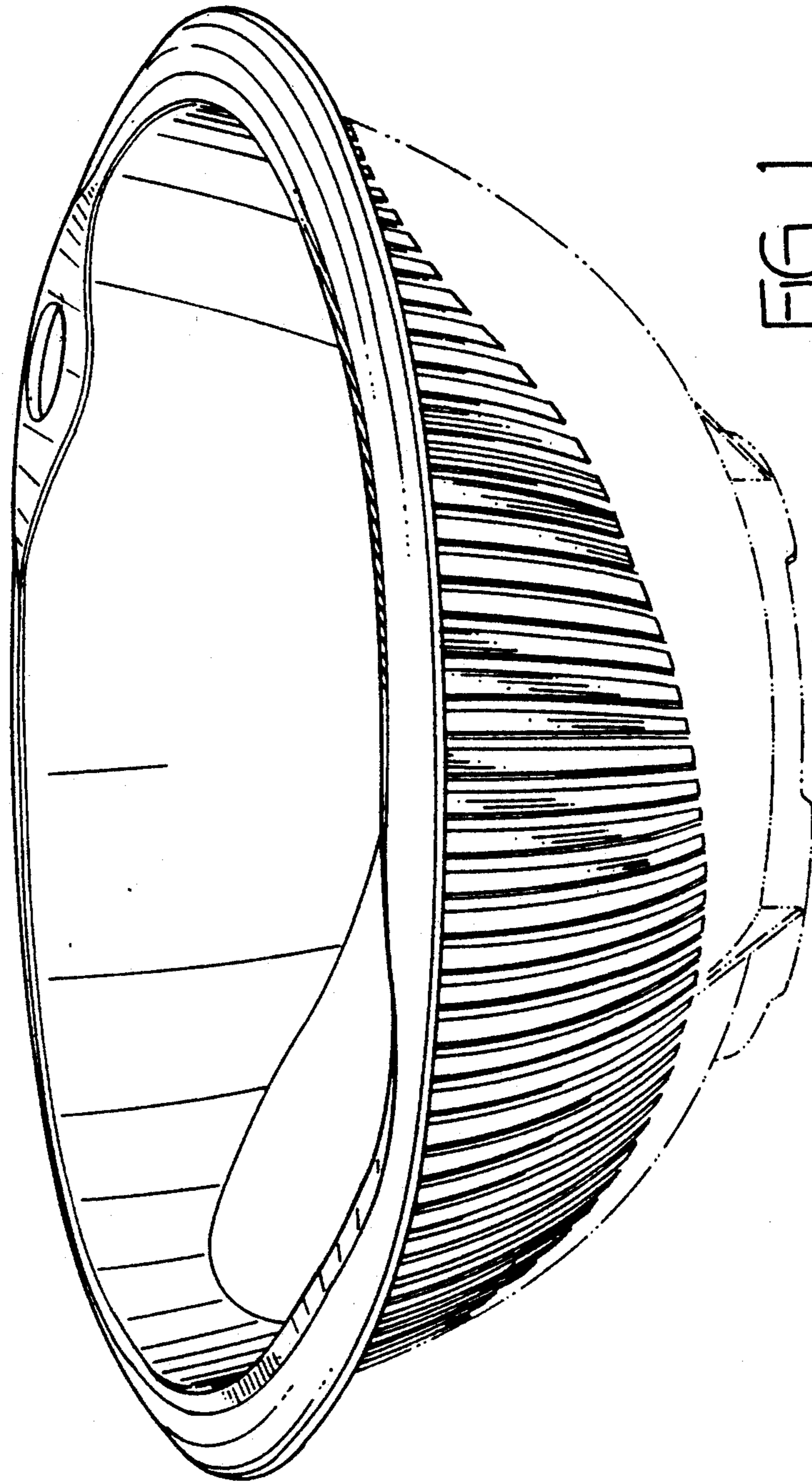


FIG. 1



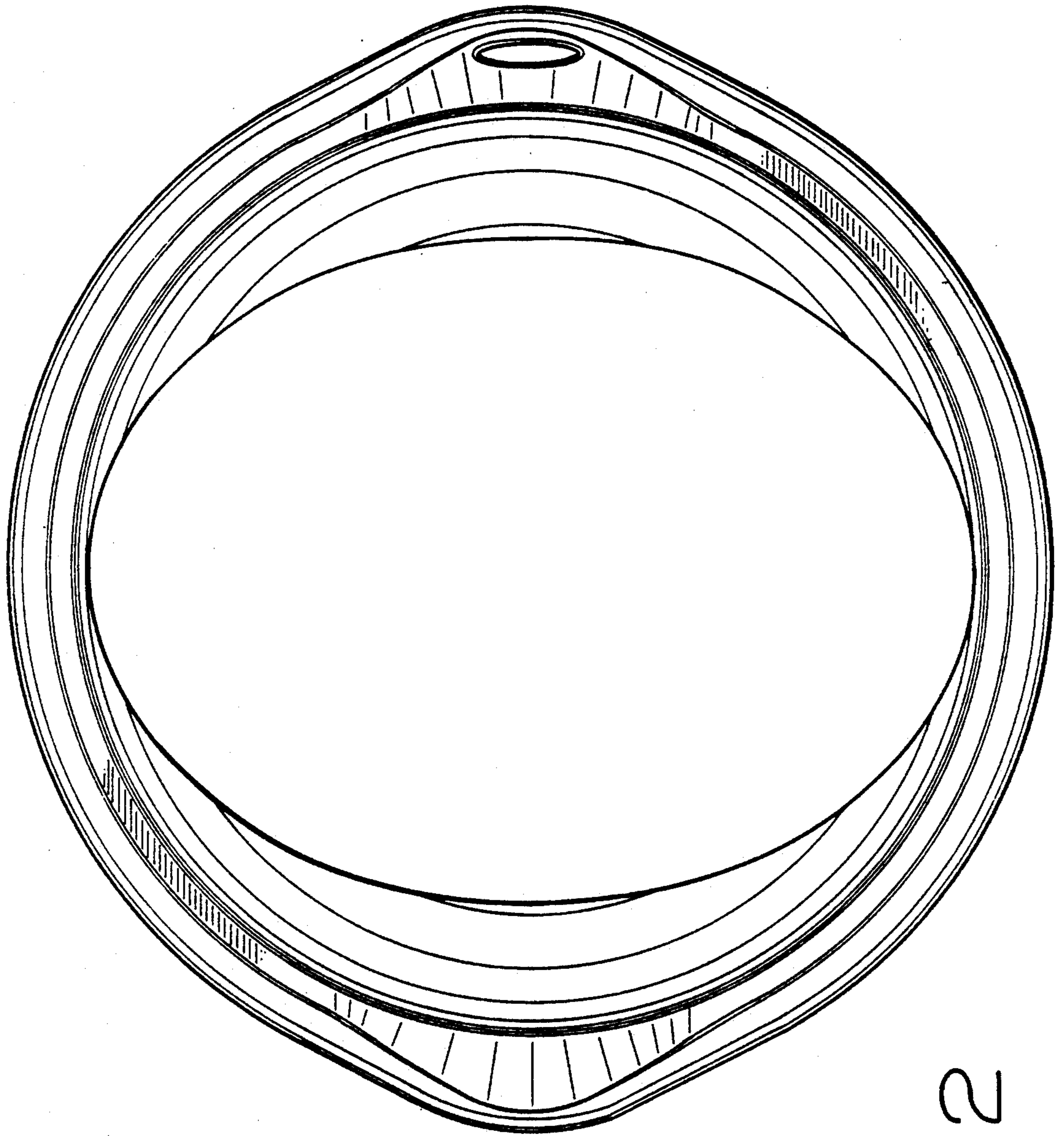


FIG. 2

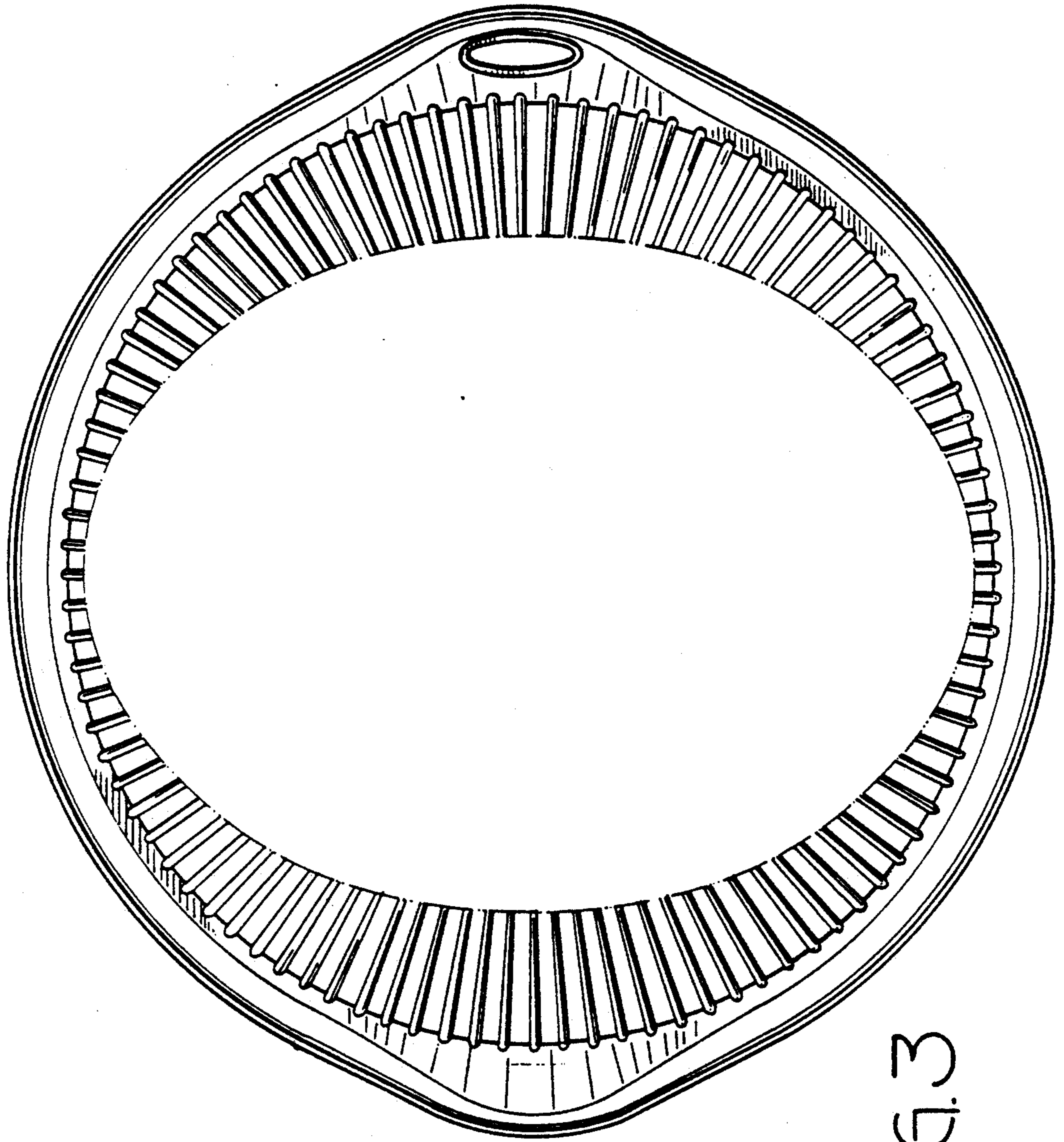


FIG. 3

