



US00D339504S

# United States Patent [19]

[11] Patent Number: **Des. 339,504**

Ancona et al.

[45] Date of Patent: **\*\* Sep. 21, 1993**

[54] **COMBINED SALT SHAKER AND PEPPER MILL**

D. 318,779 8/1991 Wong ..... D7/596

[75] Inventors: **Bruce Ancona; Jane Ancona**, both of New York, N.Y.

*Primary Examiner*—Terry A. Pfeffer  
*Attorney, Agent, or Firm*—James A. Drobile; Robert A. Koons; Robert Rosenthal

[73] Assignee: **M. Kamenstein Inc.**, White Plains, N.Y.

[57] **CLAIM**

[\*\*] Term: **14 Years**

The ornamental design for a combined salt shaker and pepper mill, as shown and described.

[21] Appl. No.: **819,521**

**DESCRIPTION**

[22] Filed: **Jan. 10, 1992**

[52] U.S. Cl. .... **D7/596**

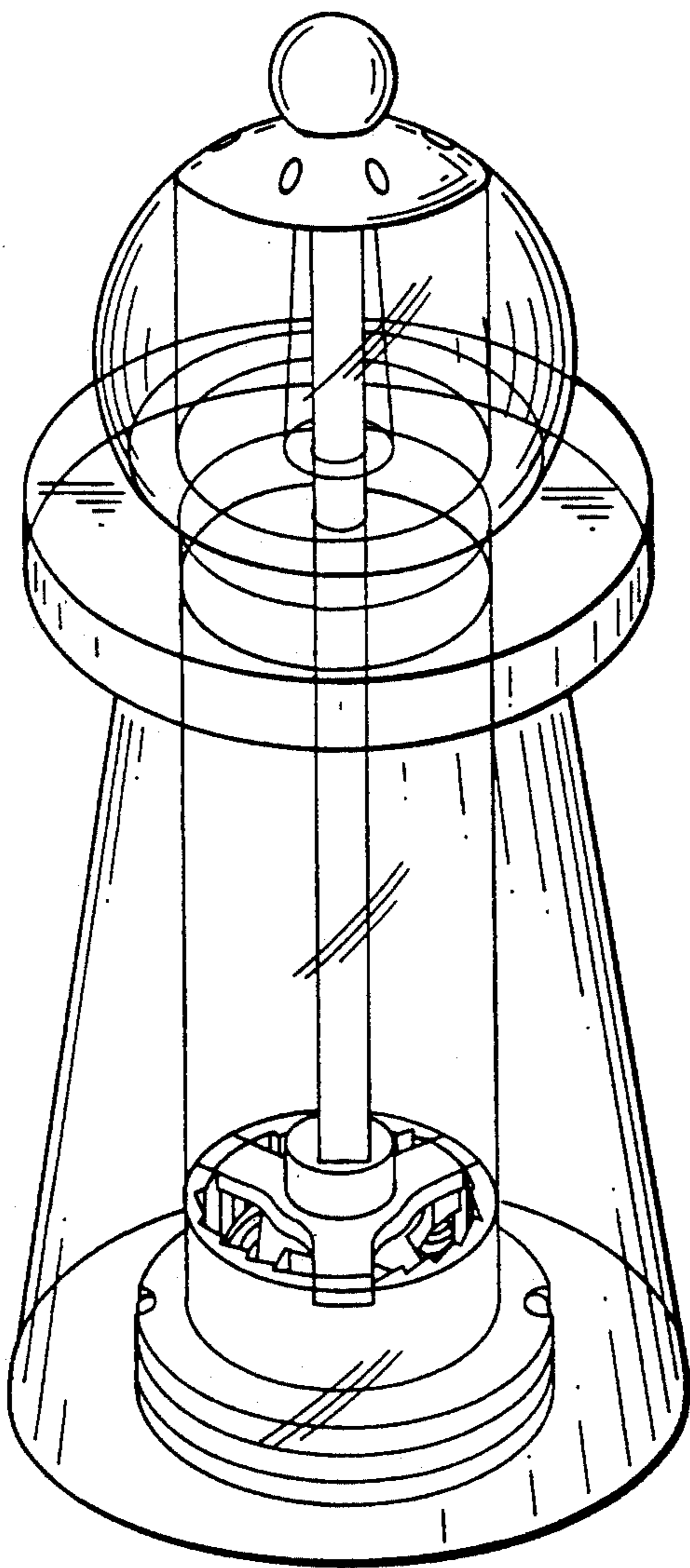
[58] Field of Search ..... **D7/590-597, D7/679; 222/142.1-142.9; 241/168, 169, 169.1**

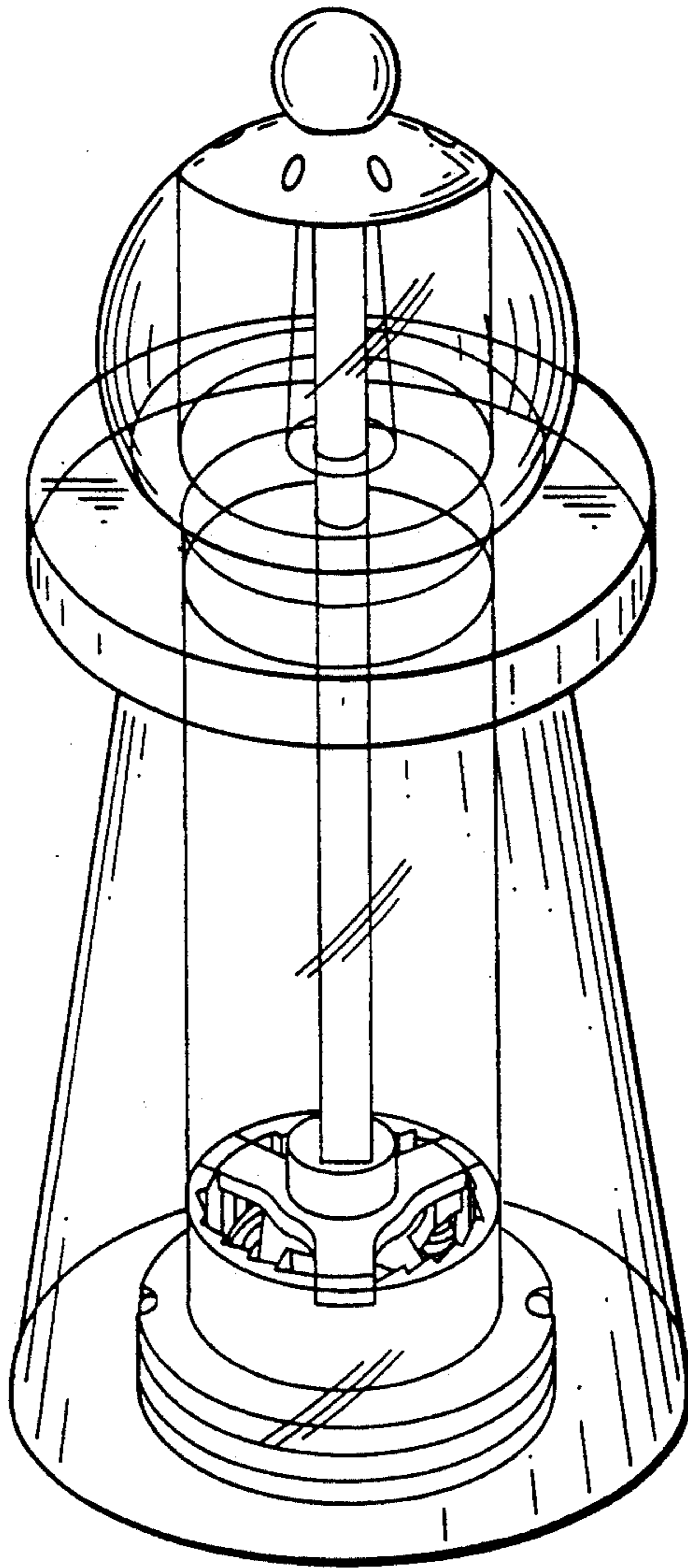
FIG. 1 is a perspective view of a combined salt shaker and pepper mill showing our new design; FIG. 2 is a side elevational view thereof; FIG. 3 is a top plan view thereof; FIG. 4 is a bottom plan view thereof; and, FIG. 5 is a side elevational view thereof showing the combined salt shaker and pepper mill in use with peppercorns and salt crystals contained therein, the peppercorns and salt crystals being shown for illustrative purposes only and forming no part of the claimed design.

[56] **References Cited**

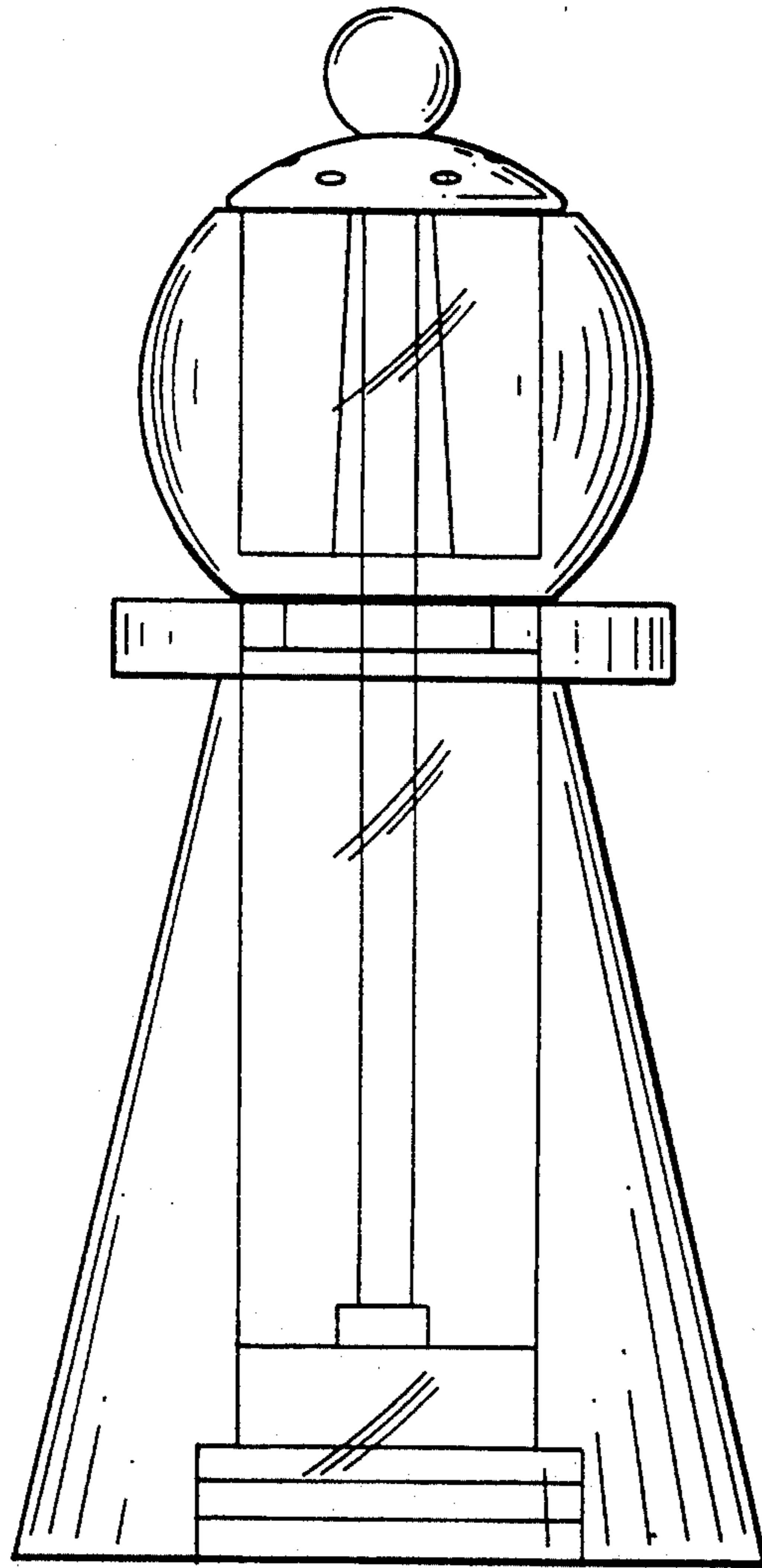
**U.S. PATENT DOCUMENTS**

- D. 302,508 8/1989 Persoff ..... D7/57
- D. 314,316 2/1991 Wu ..... D7/679

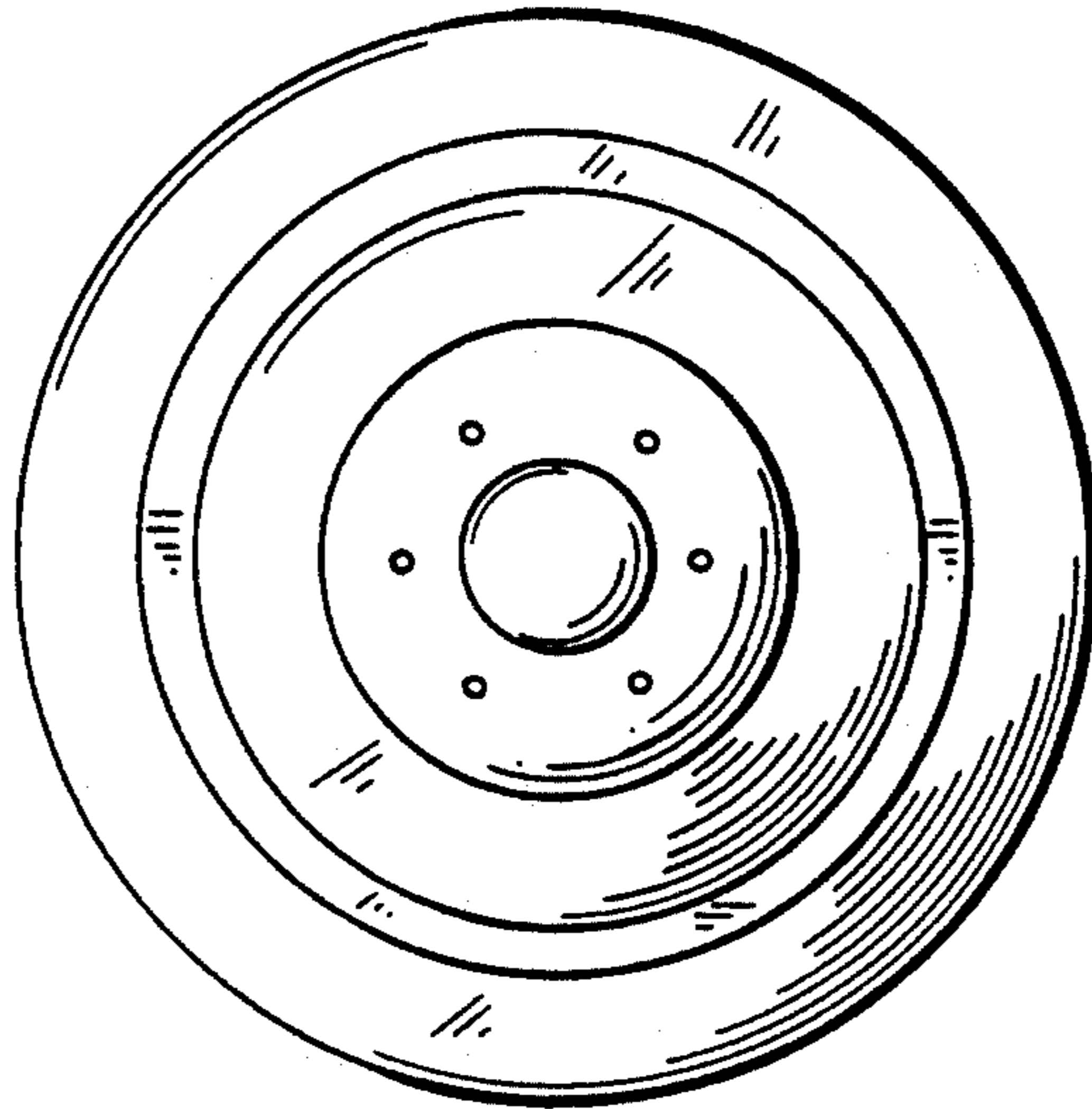




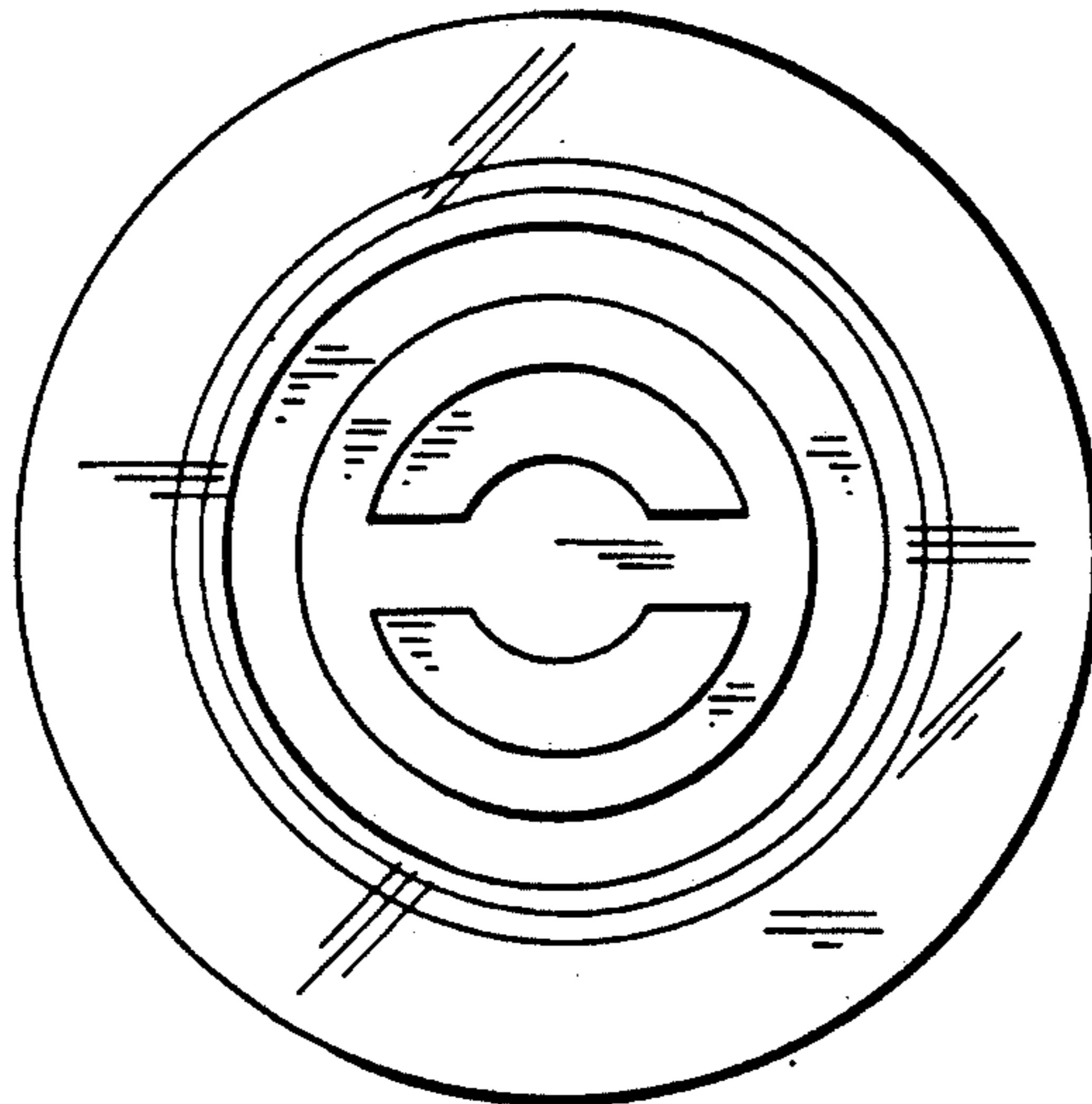
**FIG. 1**



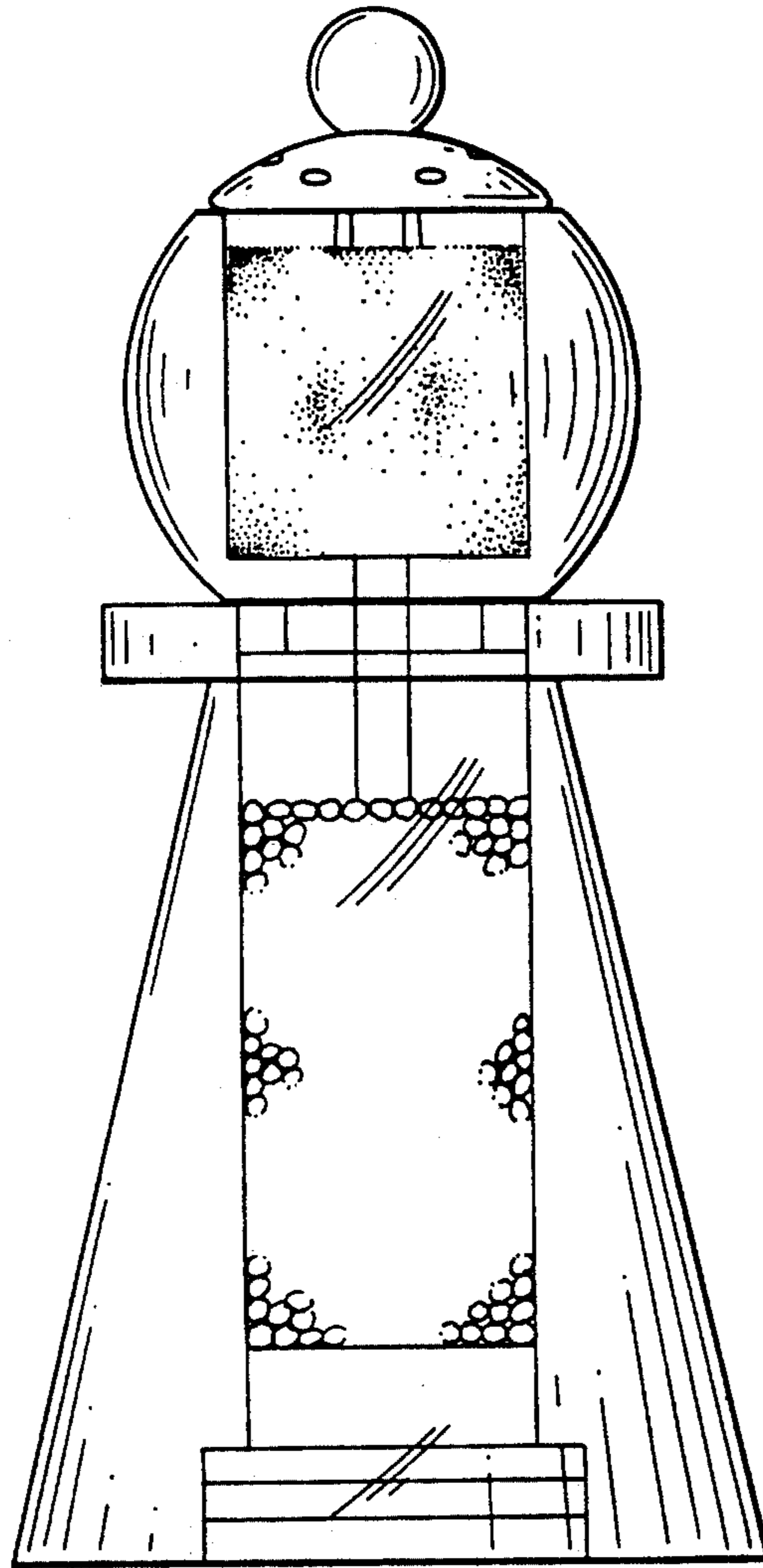
**FIG. 2**



**FIG. 3**



**FIG. 4**



**FIG. 5**