



US00D339502S

United States Patent [19] Kamiyama

[11] Patent Number: Des. 339,502

[45] Date of Patent: ** Sep. 21, 1993

[54] CRUSHER

D. 311,659 10/1990 Storsberg D7/384
4,768,429 9/1988 Federighi 241/282.1 X

[75] Inventor: Seiya Kamiyama, Osaka, Japan

[73] Assignee: Iwatan Sangyo Kabushiki Kaisha,
Osaka, Japan

[**] Term: 14 Years

[21] Appl. No.: 712,805

[22] Filed: Jun. 10, 1991

[52] U.S. Cl. D7/384; D7/372;
D7/376; D7/383

[58] Field of Search D7/376, 381, 383, 384,
D7/386, 372, 373, 374; 241/92, 93, 37.5, 282.1,
282.2

[56] References Cited

U.S. PATENT DOCUMENTS

D. 118,149 12/1939 Blazey D7/373
D. 290,677 7/1987 Stutzer et al. D7/384
D. 301,297 5/1989 Barrault D7/384
D. 306,680 3/1990 Madl D7/384 X

OTHER PUBLICATIONS

W. Bell Catalog; 1987/88; pp. 277 & 278; #1, 2, 3 & 6.

Primary Examiner—Alan P. Douglas
Assistant Examiner—Caron D. Veynar
Attorney, Agent, or Firm—Lowe, Price, LeBlanc &
Becker

[57] CLAIM

The ornamental design for a crusher, as shown and described.

DESCRIPTION

FIG. 1 is a perspective view of a crusher showing my new design;
FIG. 2 is a front view thereof;
FIG. 3 is a rear view thereof;
FIG. 4 is a right side view thereof;
FIG. 5 is a left side view thereof;
FIG. 6 is a top view thereof; and,
FIG. 7 is a bottom view thereof.

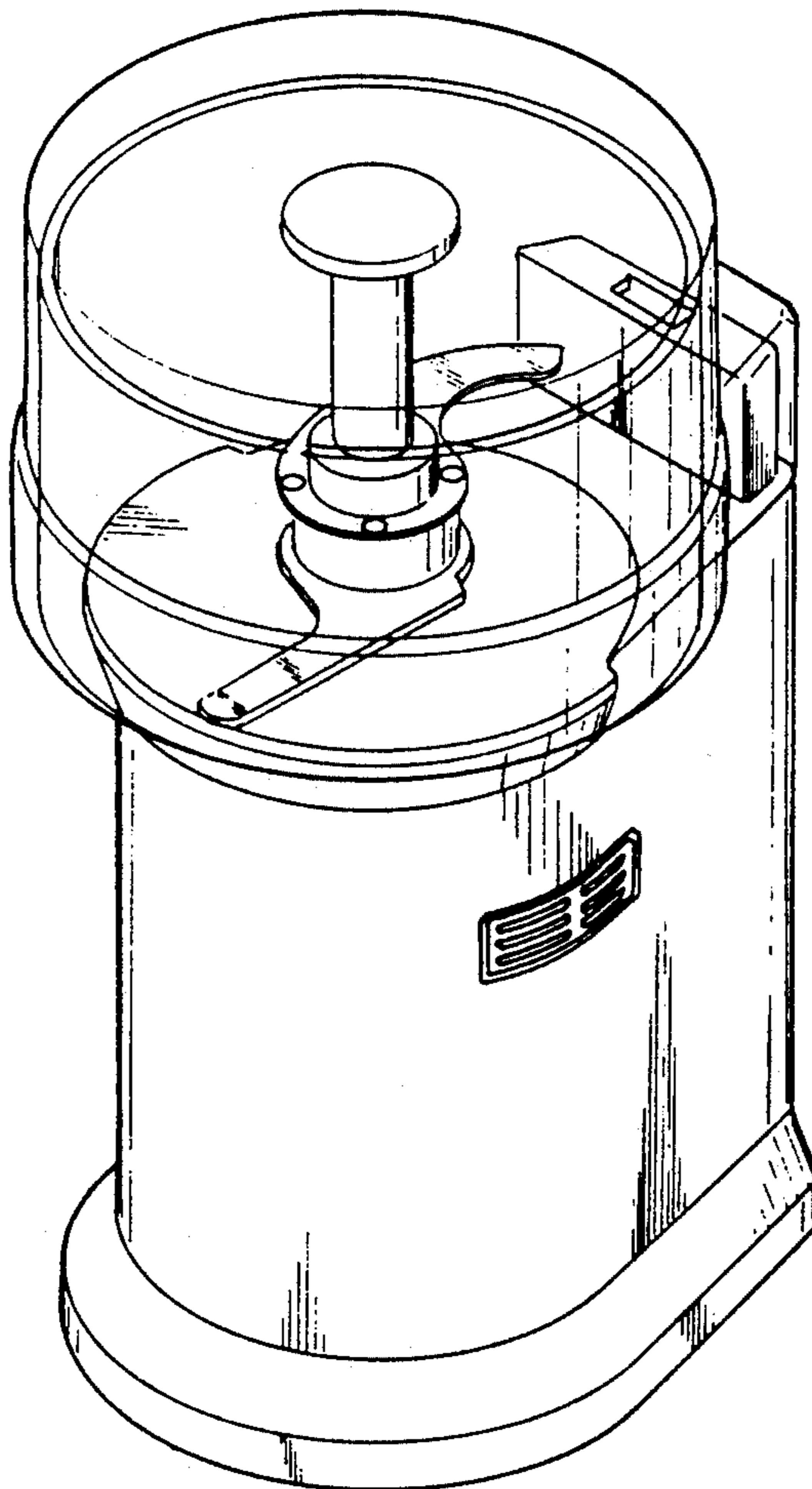


FIG. 1

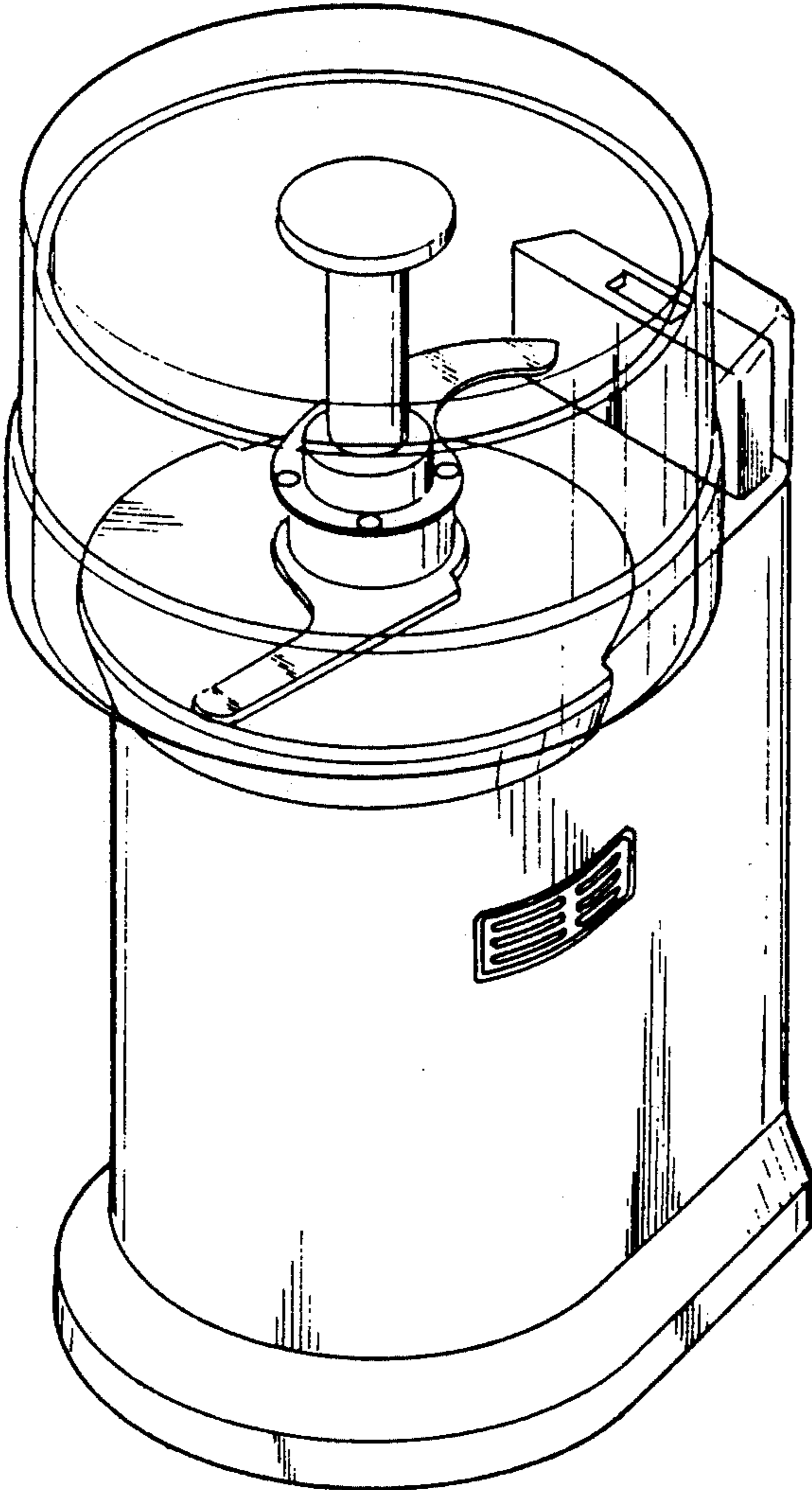


FIG. 3

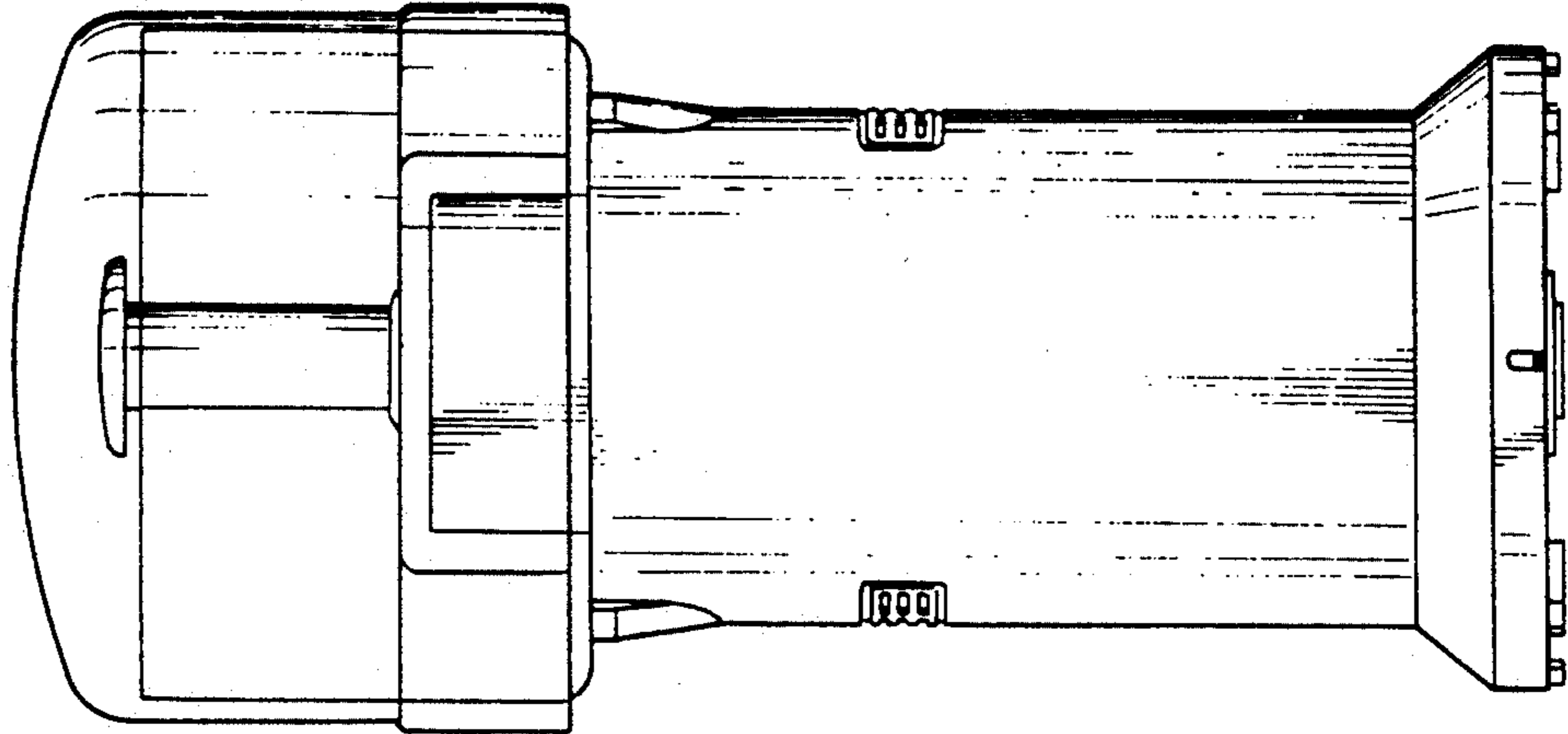


FIG. 2

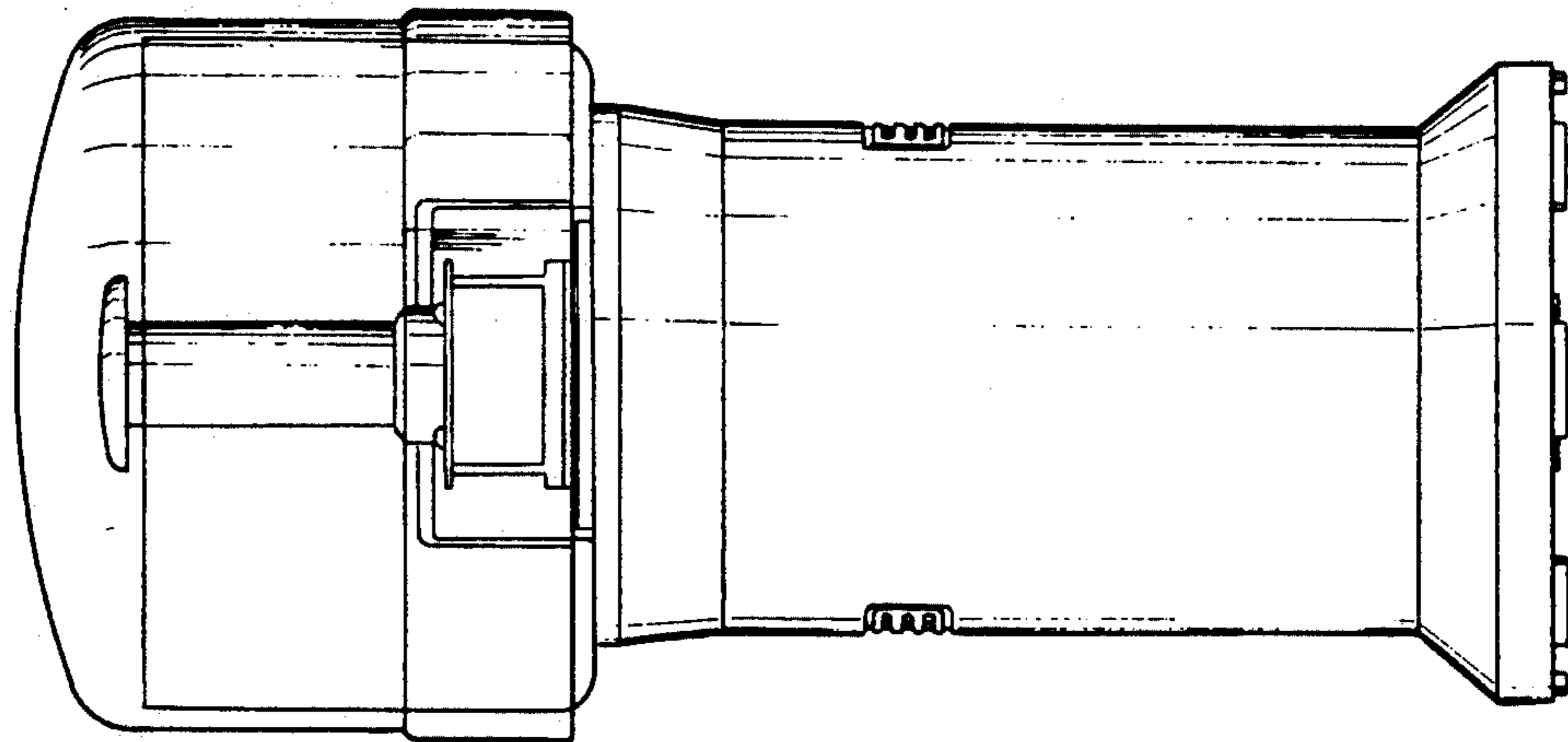


FIG. 5

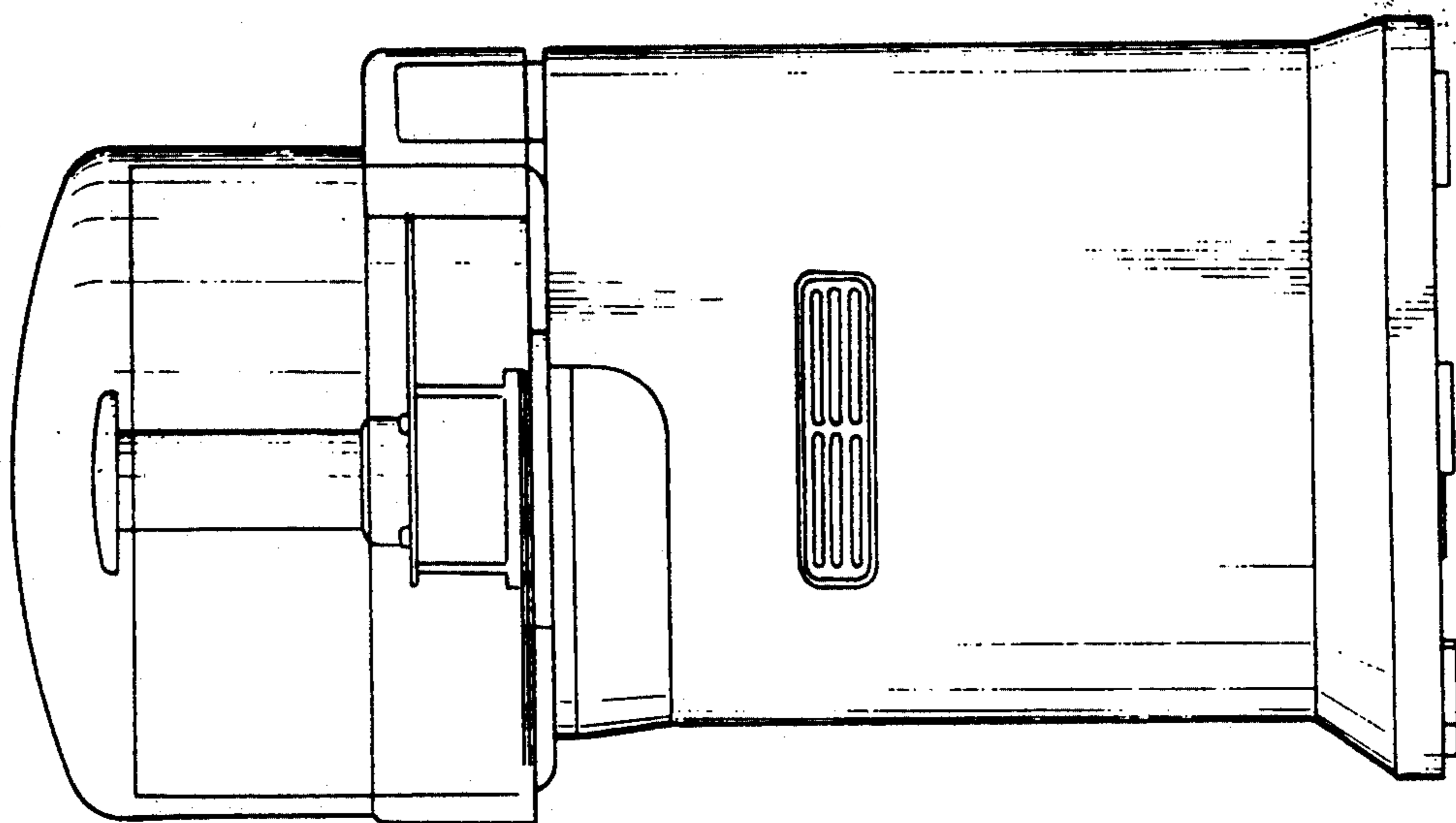


FIG. 4

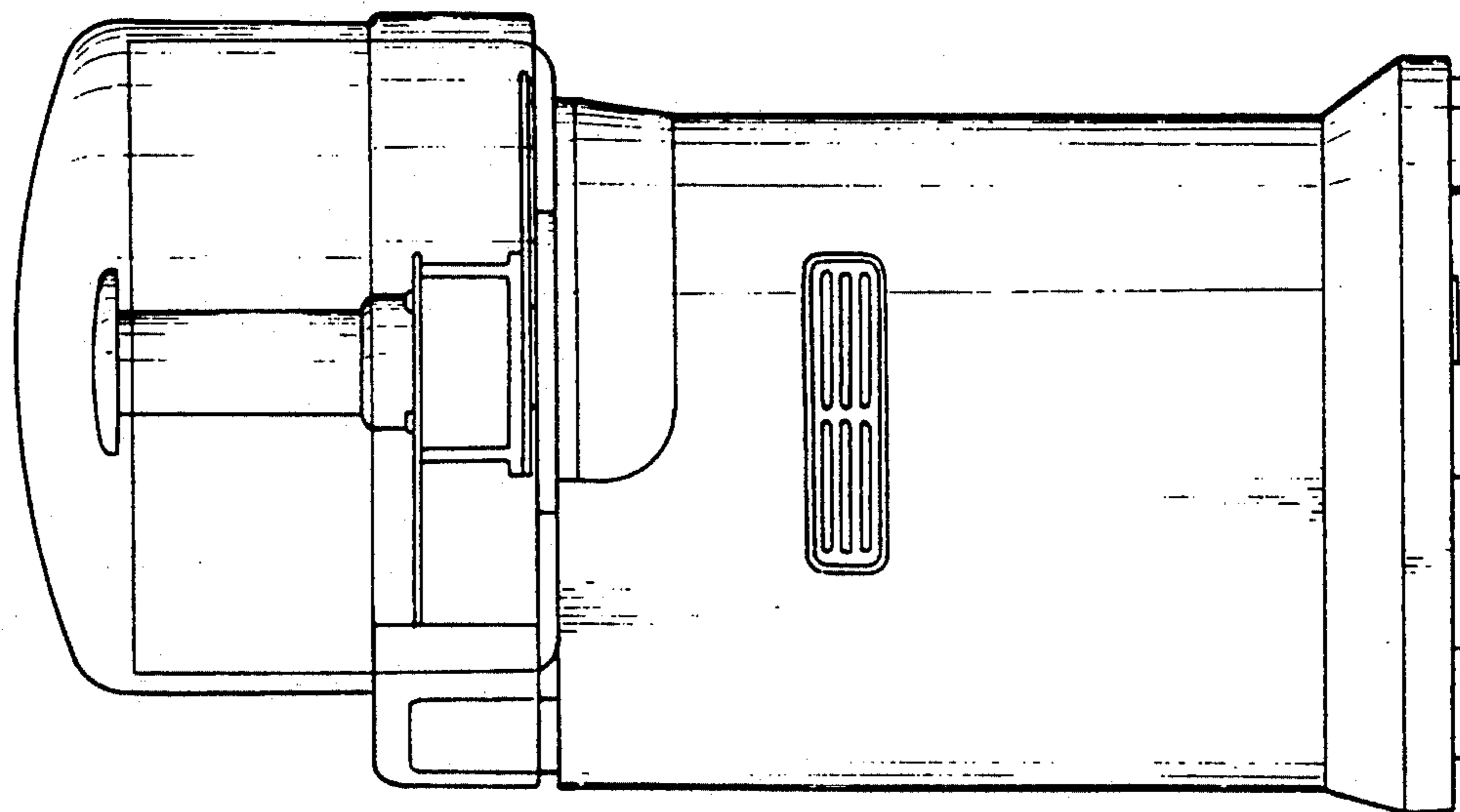


FIG.7

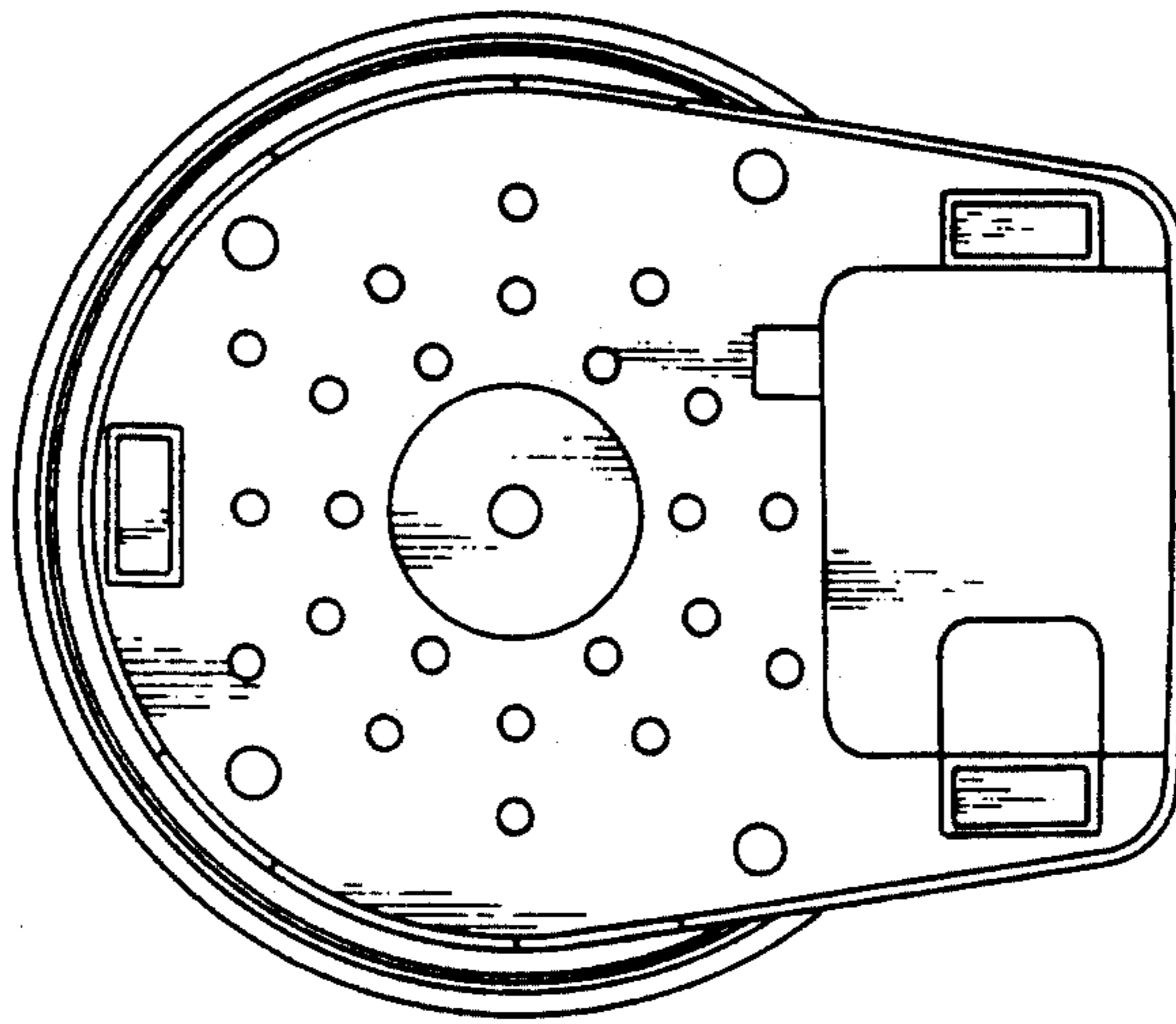


FIG.6

