



US00D339499S

United States Patent [19]
Seiffert

[11] **Patent Number: Des. 339,499**
[45] **Date of Patent: ** Sep. 21, 1993**

- [54] **ESPRESSO MAKING MACHINE**
- [75] **Inventor: Florian Seiffert, Wiesbaden, Fed. Rep. of Germany**
- [73] **Assignee: Robert Krups GmbH & Co. KG, Solingen, Fed. Rep. of Germany**
- [**] **Term: 14 Years**
- [21] **Appl. No.: 745,619**
- [22] **Filed: Aug. 15, 1991**
- [52] **U.S. Cl. D7/309; D7/311**
- [58] **Field of Search D7/300, 301, 305, 306, D7/307, 308, 309, 310, 311, 312, 313; 99/295, 293, 290**

- D. 324,621 3/1992 Haslacher D7/311 X
- D. 326,386 5/1992 Rakocy et al. D7/300 X
- 4,852,474 8/1989 Mahlich et al. D7/309 X

Primary Examiner—Alan P. Douglas
Assistant Examiner—M. N. Pandozzi
Attorney, Agent, or Firm—Peter K. Kontler

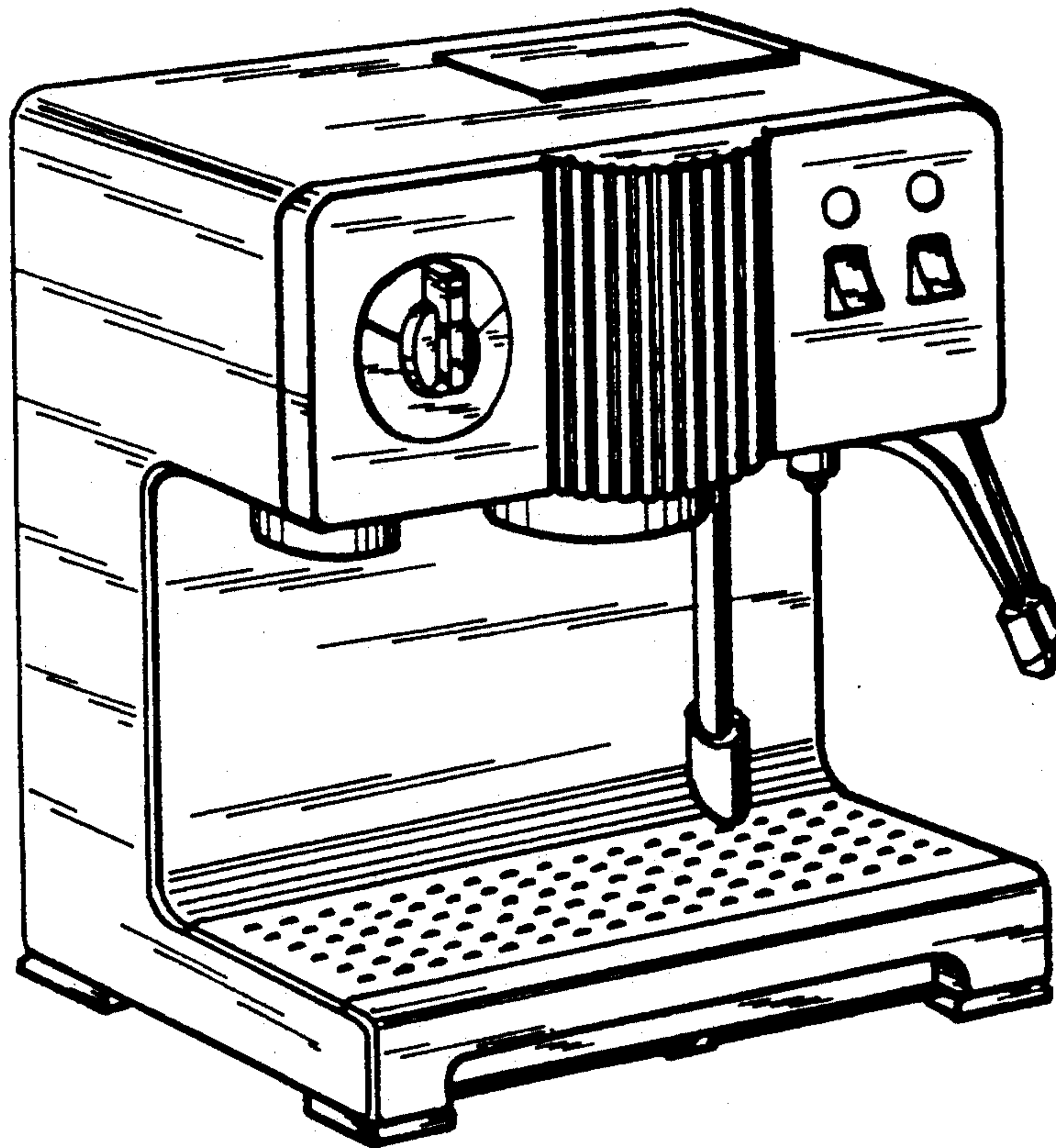
[57] **CLAIM**

The ornamental design for an espresso making machine, as shown and described.

DESCRIPTION

FIG. 1 is a front left-hand perspective view of an espresso making machine showing my new design; FIG. 2 is a front elevational view thereof; FIG. 3 is a top plan view thereof; FIG. 4 is a bottom plan view thereof; FIG. 5 is a rear elevational view thereof; FIG. 6 is a left-hand side elevational view thereof; and, FIG. 7 is a right-hand side elevational view thereof.

- [56] **References Cited**
U.S. PATENT DOCUMENTS
D. 303,480 9/1989 Tsuji D7/309



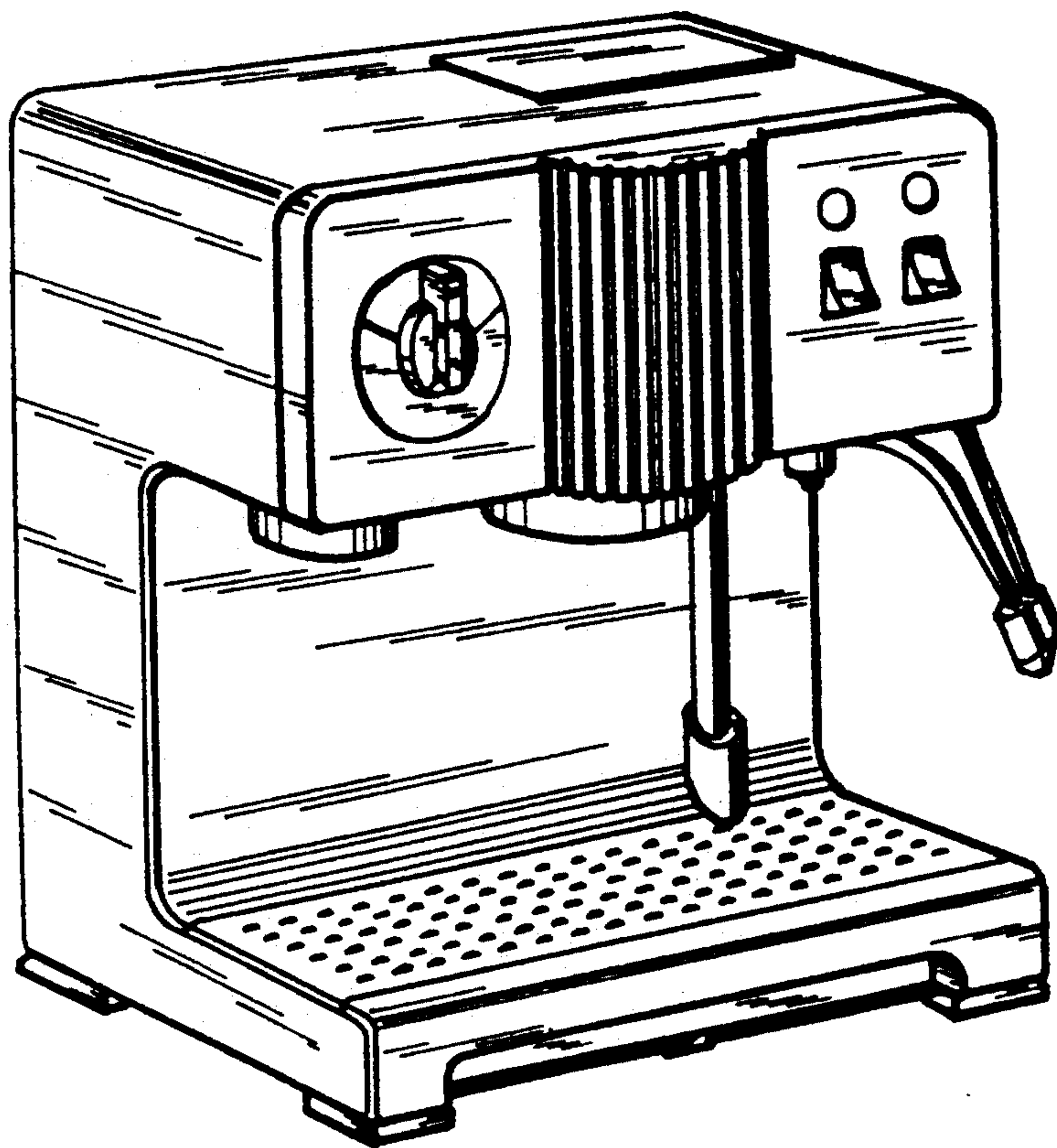


FIG. 1

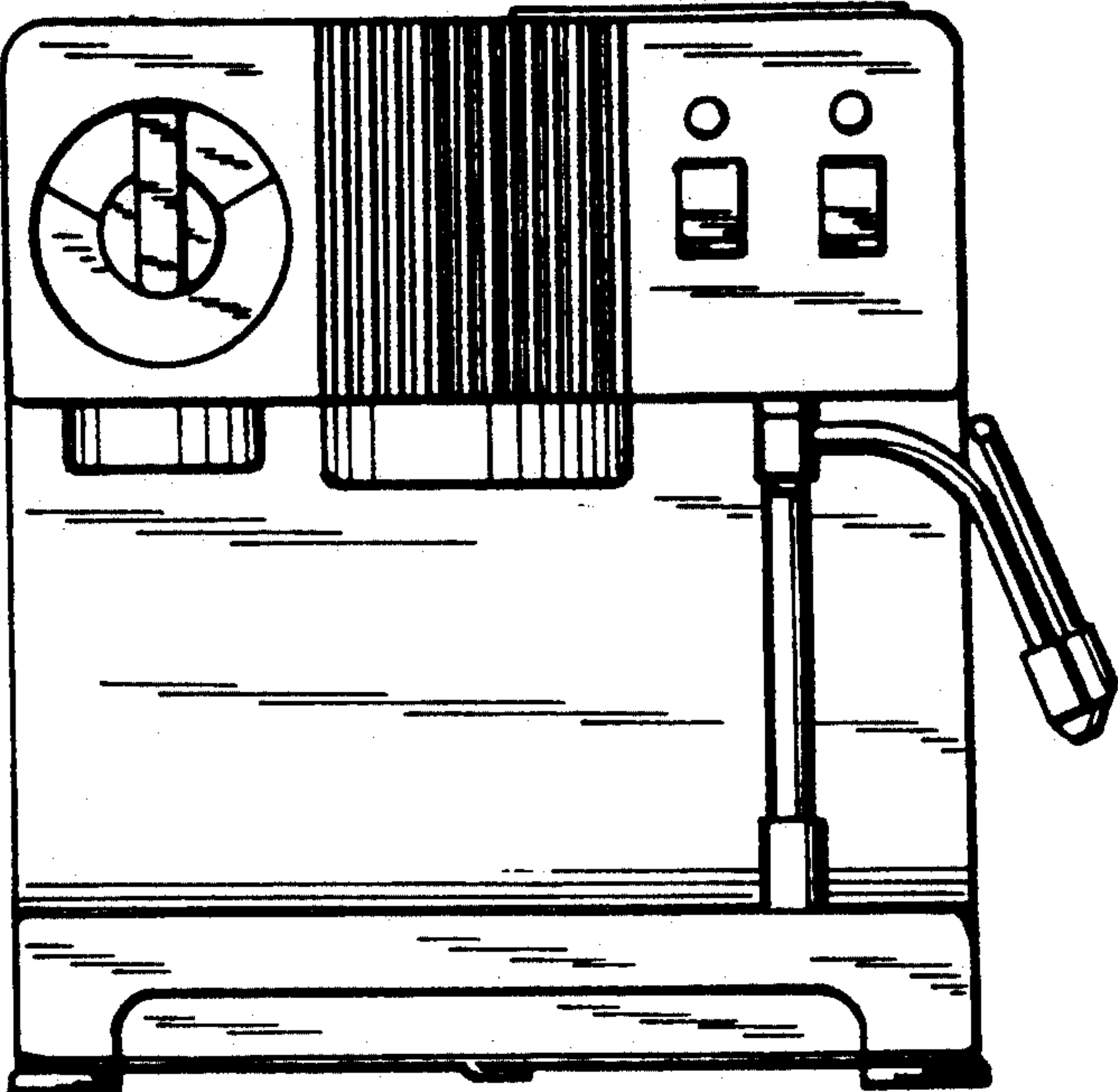


FIG. 2

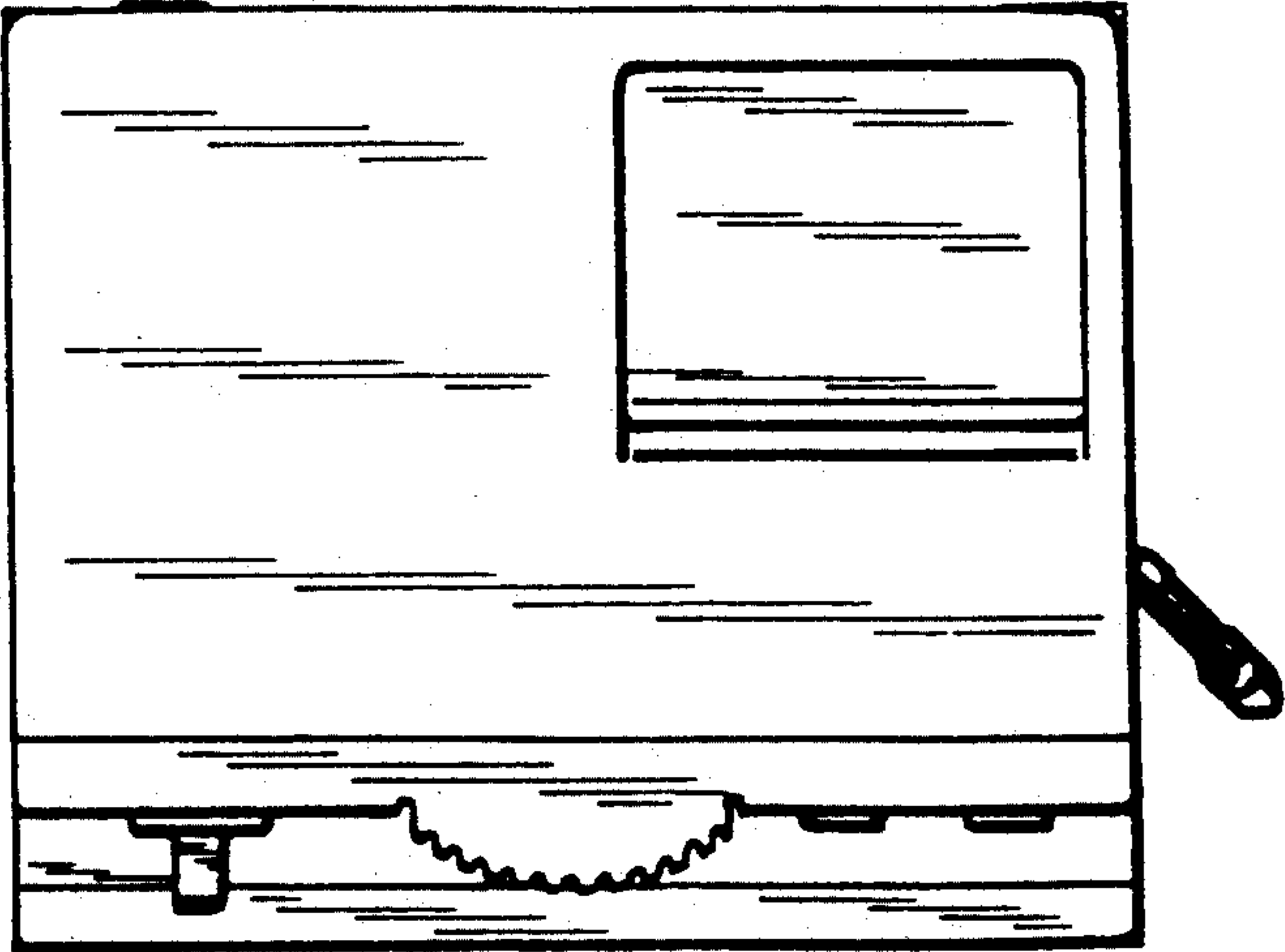


FIG. 3

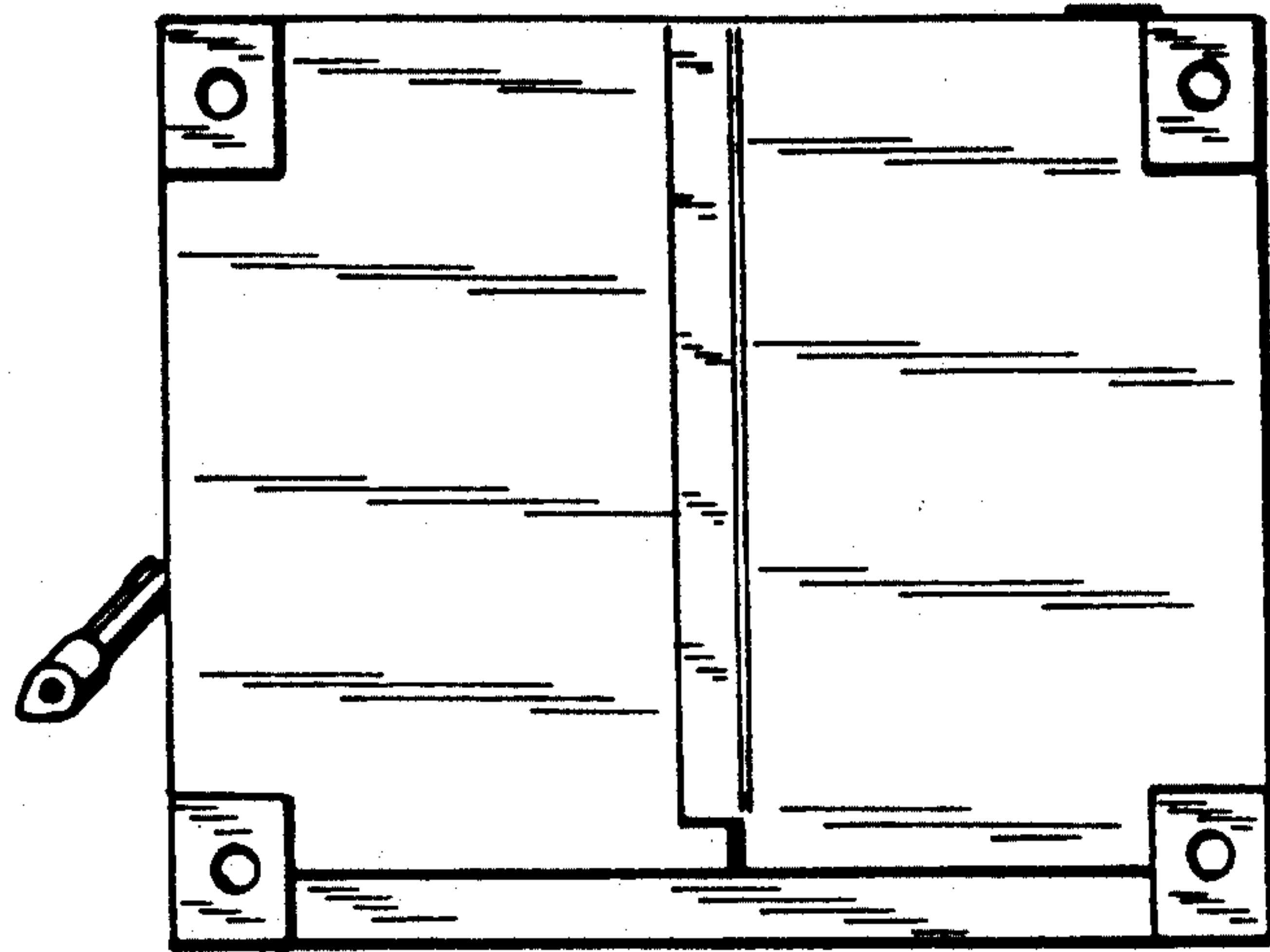


FIG. 4

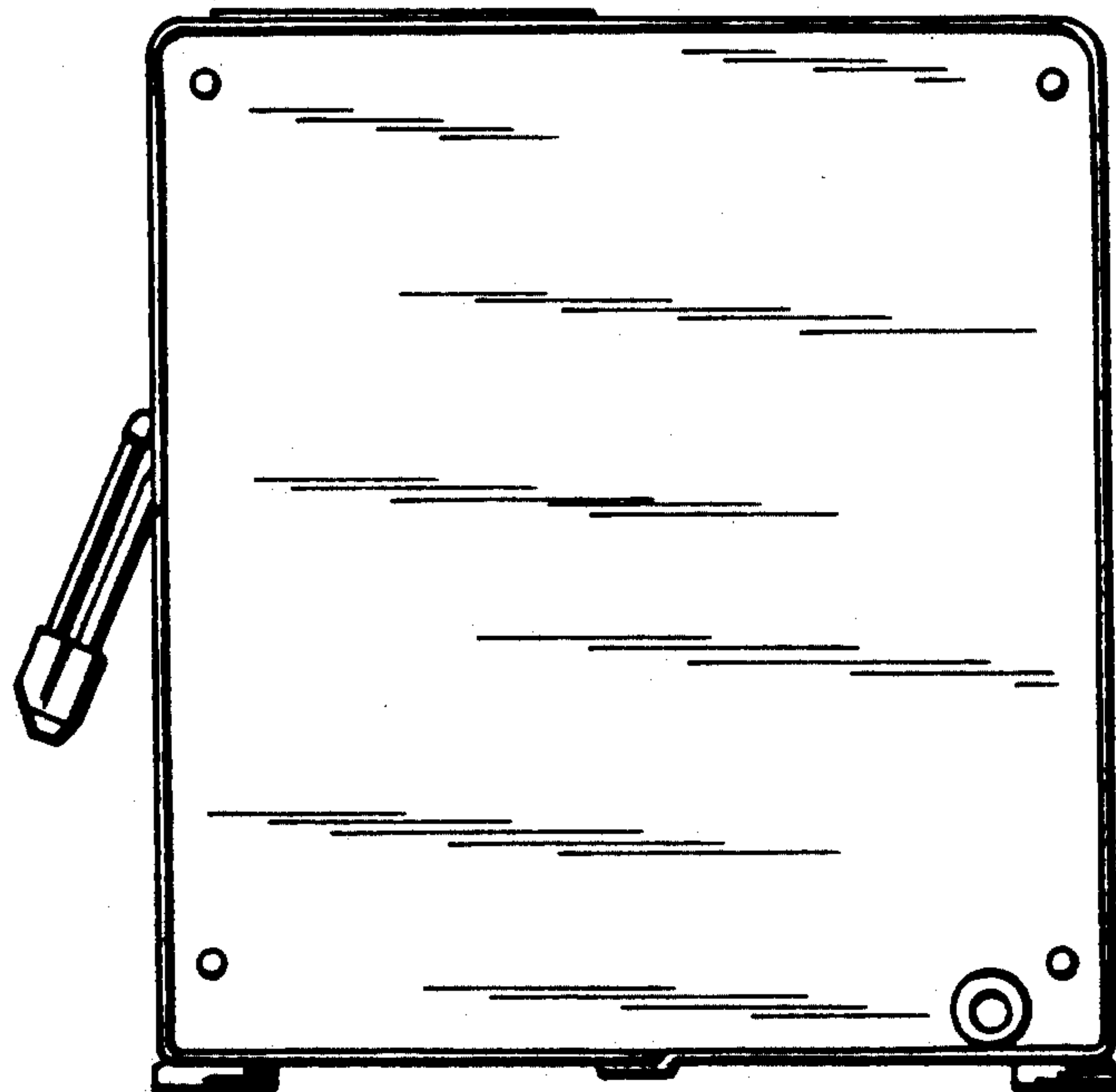


FIG. 5

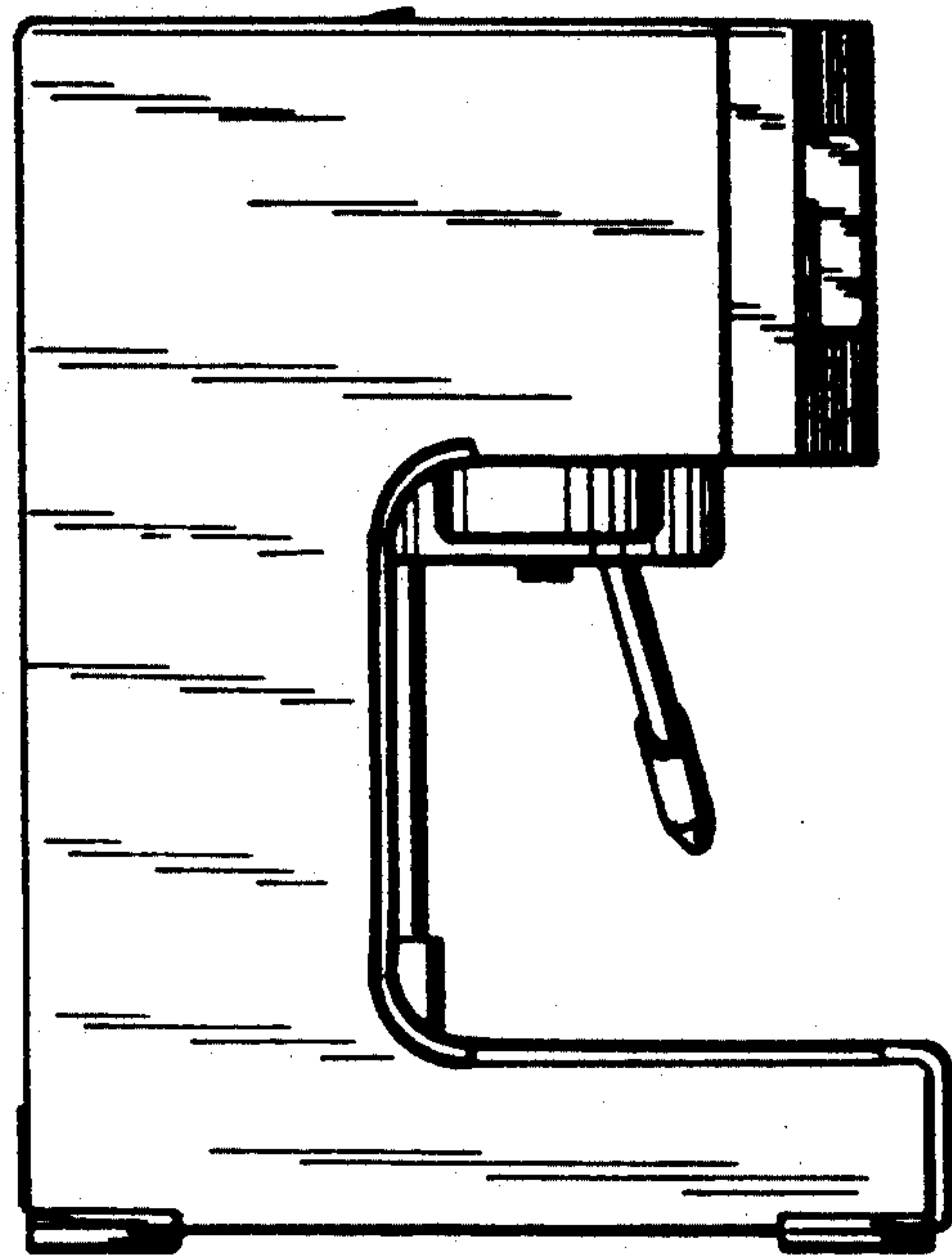


FIG. 6

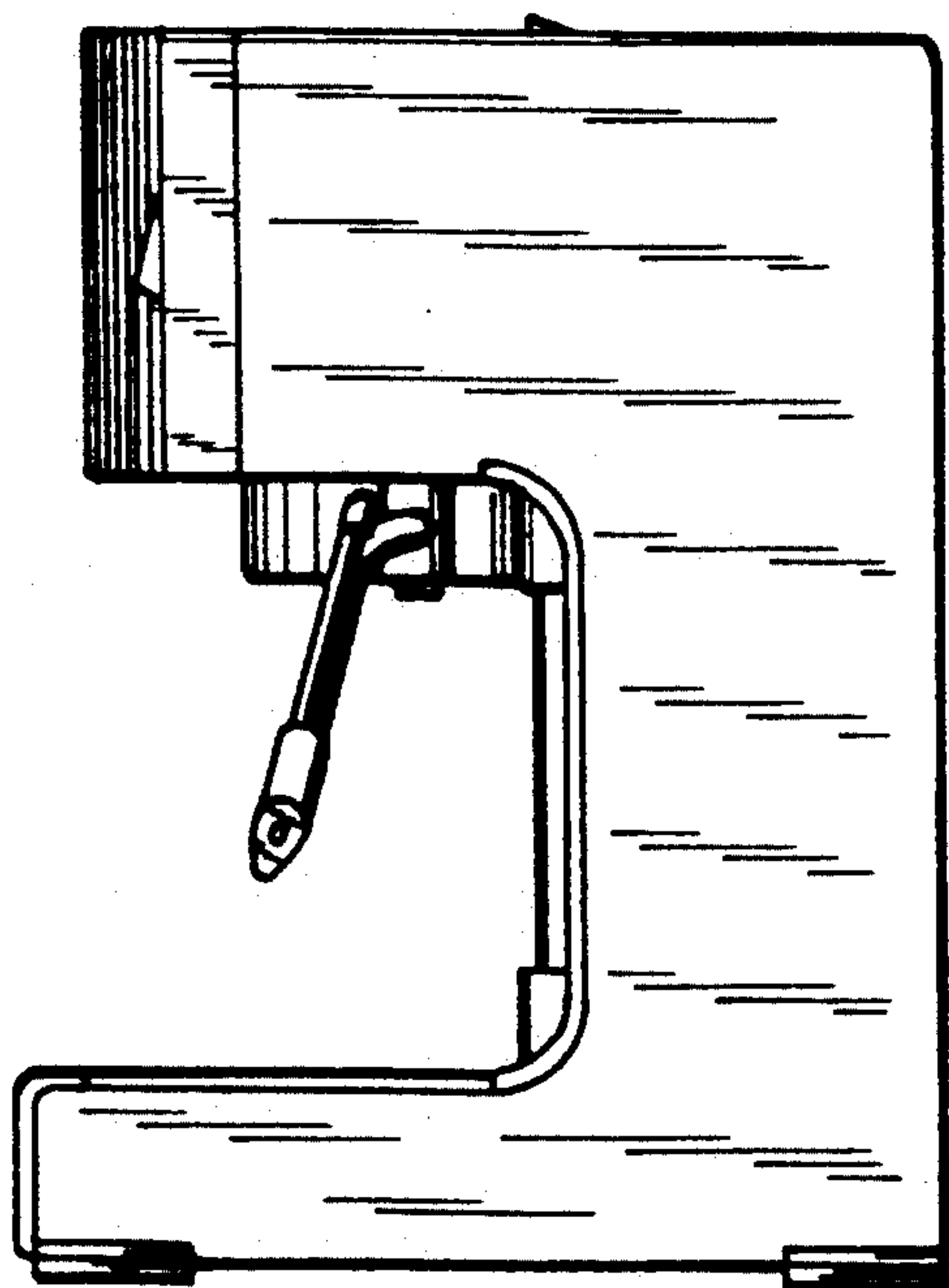


FIG. 7