



US00D339492S

United States Patent [19]

[11] Patent Number: **Des. 339,492**

Klose

[45] Date of Patent: **** Sep. 21, 1993**

[54] **WALL-MOUNTED SUPPORT FOR A HAND-HELD SHOWER SPRAYER AND SOAPDISH**

D. 238,637 2/1976 Johansson D6/524
D. 240,178 6/1976 Johansen D6/524
D. 266,212 9/1982 Hang D6/524 X
3,837,013 9/1974 Davis et al. 4/605

[75] Inventor: **Odo Klose, Wuppertal, Fed. Rep. of Germany**

Primary Examiner—Brian N. Vinson
Attorney, Agent, or Firm—Herbert Dubno; Ronald Lianides

[73] Assignee: **Friedrich Grohe Aktiengesellschaft, Hemer, Fed. Rep. of Germany**

[**] Term: **14 Years**

[57] CLAIM

[21] Appl. No.: **751,218**

The ornamental design for a wall-mounted support for a hand-held shower sprayer shower and soapdish, as shown.

[22] Filed: **Aug. 26, 1991**

[30] Foreign Application Priority Data

Feb. 25, 1991 [DE] Fed. Rep. of Germany 9101317

[52] U.S. Cl. **D6/524; D6/533**

[58] Field of Search **D6/524-525, D6/533; D23/303-304; 4/605; 211/13, 69.5, 70.6, 86-87, 89, 100, 182; 248/251**

DESCRIPTION

FIG. 1 is a perspective view showing the front and right side of the wall-mounted support for a hand-held shower sprayer and soapdish embodying my new design;

[56] References Cited

U.S. PATENT DOCUMENTS

D. 145,934 11/1946 Gerity, Jr. D6/533

FIG. 2 is a front elevational view thereof;

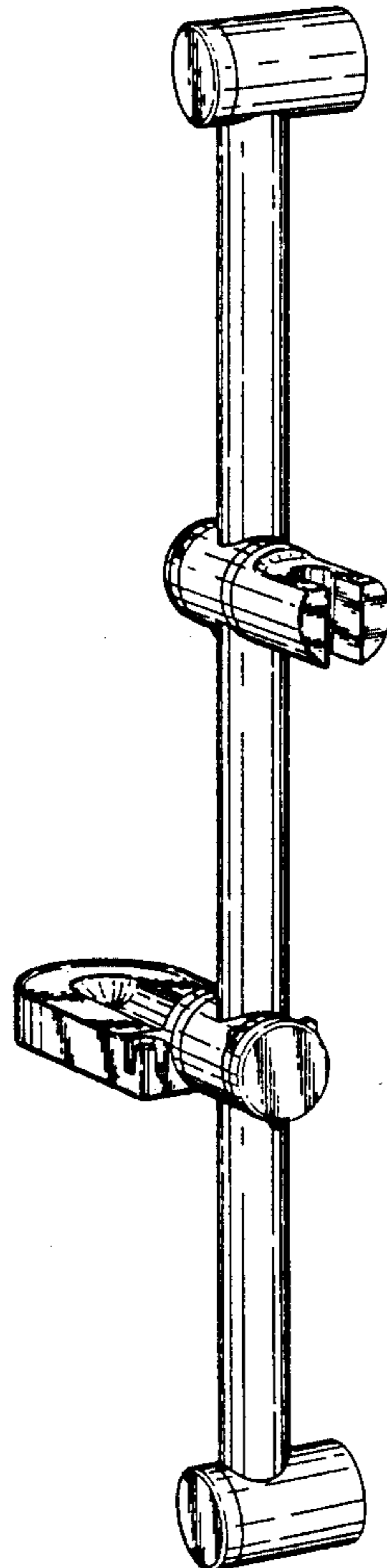
FIG. 3 is a right side elevational view thereof;

FIG. 4 is a rear view thereof;

FIG. 5 is a left side elevational view thereof;

FIG. 6 is a bottom view thereof; and,

FIG. 7 is a top view thereof.



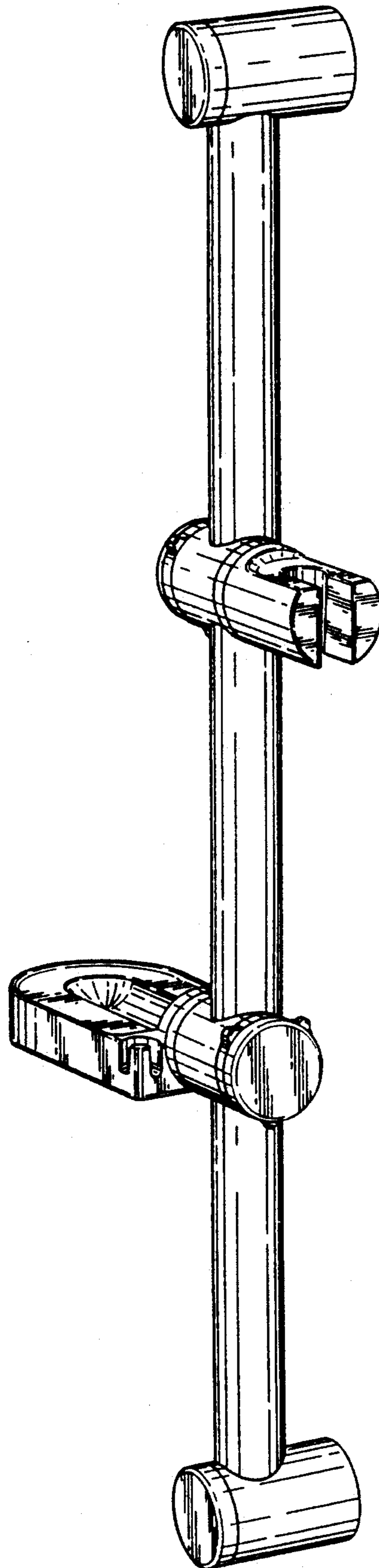


FIG. 1

FIG. 2

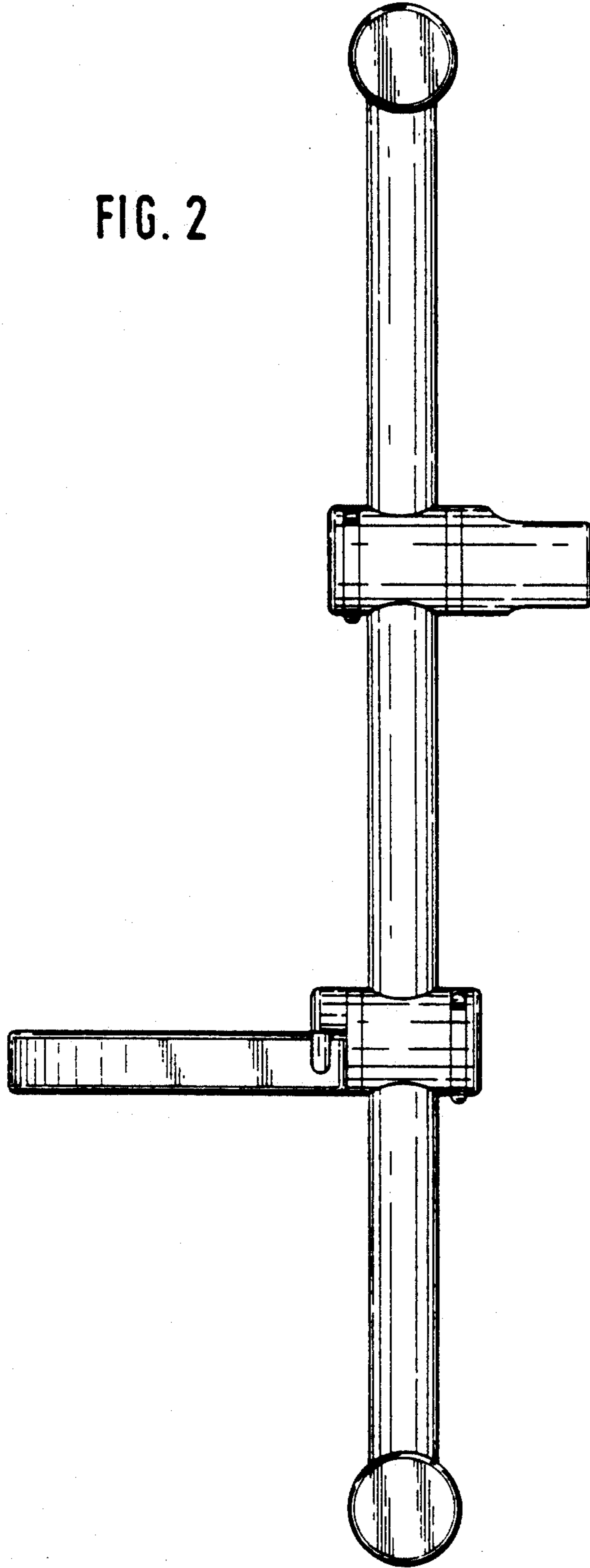
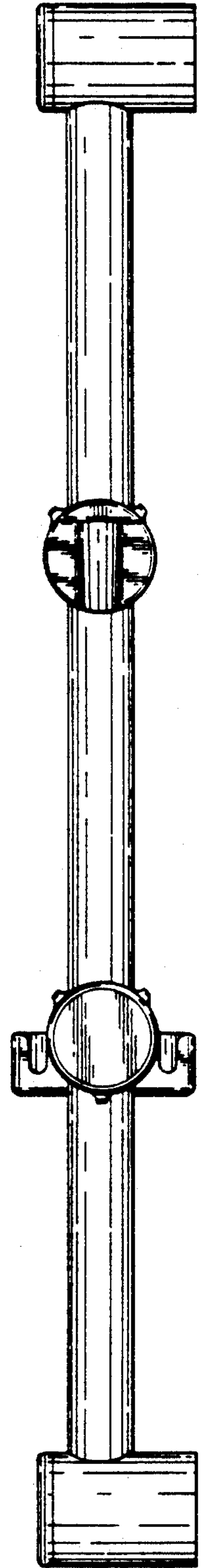


FIG. 3



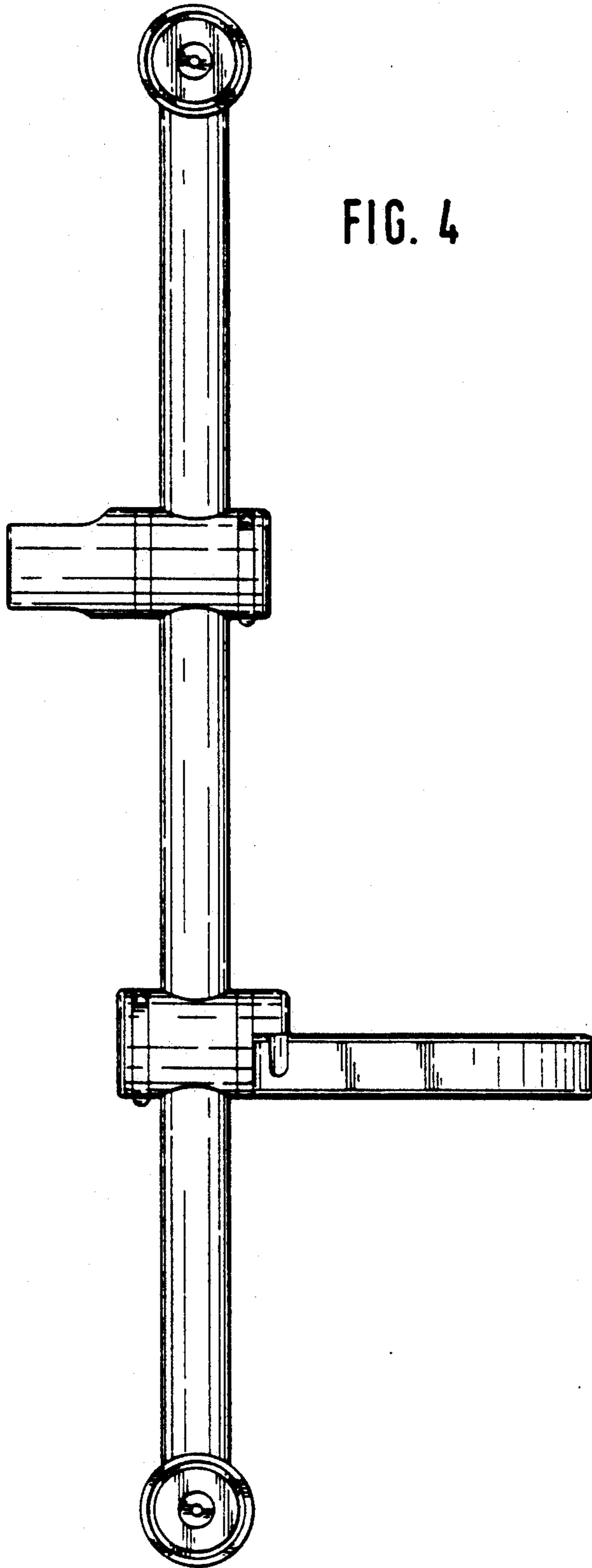


FIG. 4

FIG. 5

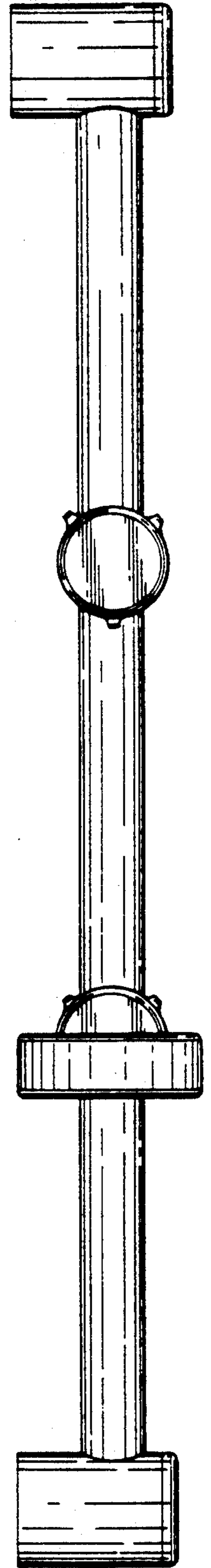


FIG. 6

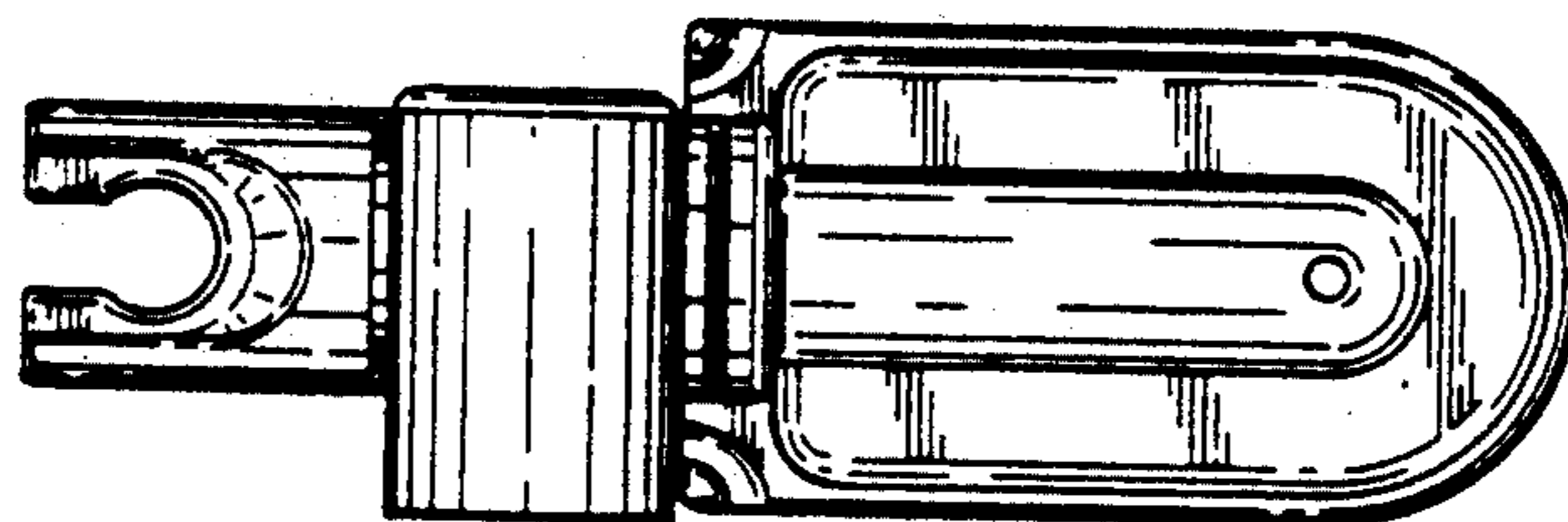
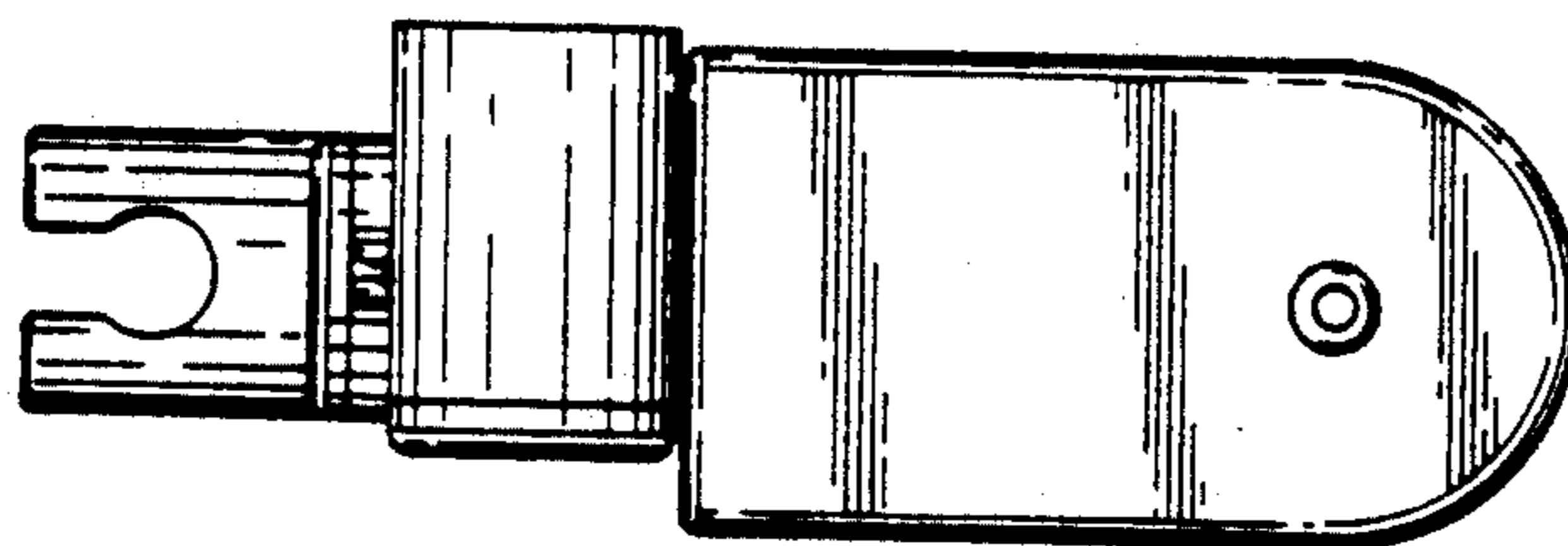


FIG. 7