



US00D339491S

United States Patent [19]

[11] Patent Number: **Des. 339,491**

Addison et al.

[45] Date of Patent: **** Sep. 21, 1993**

[54] **DISPENSER FOR ROLLED MATERIAL**

[76] Inventors: **F. Clark Addison**, 3804 W. Eisenhower Ave., Loveland, Colo. 80537; **Peder J. Thorstensen**, P.O. Box 1025, Loveland, Colo. 80539

[**] Term: **14 Years**

[21] Appl. No.: **890,476**

[22] Filed: **Jun. 1, 1992**

D. 294,789	3/1988	Nunnally	D6/523
D. 307,845	5/1990	Omdoll et al.	D6/520
D. 310,922	10/1990	Sigmund	D6/523 X
D. 314,484	2/1991	Richter et al.	D6/522
3,704,776	12/1972	Collins	242/55.2 X
4,177,958	12/1979	Poole	242/55.42 X
4,615,442	10/1986	Becken	D6/523 X

Primary Examiner—Brian N. Vinson
Attorney, Agent, or Firm—Fields, Lewis, Pittenger & Rost

Related U.S. Application Data

[62] Division of Ser. No. 514,572, Apr. 26, 1990, Pat. No. D. 329,773.

[52] U.S. Cl. **D6/518**

[58] Field of Search D6/518-523;
206/389; 211/13, 16; 221/92, 282, 286;
242/55.2, 55.3, 55.53, 55.42; 312/34.1, 34.8

[56] **References Cited**

U.S. PATENT DOCUMENTS

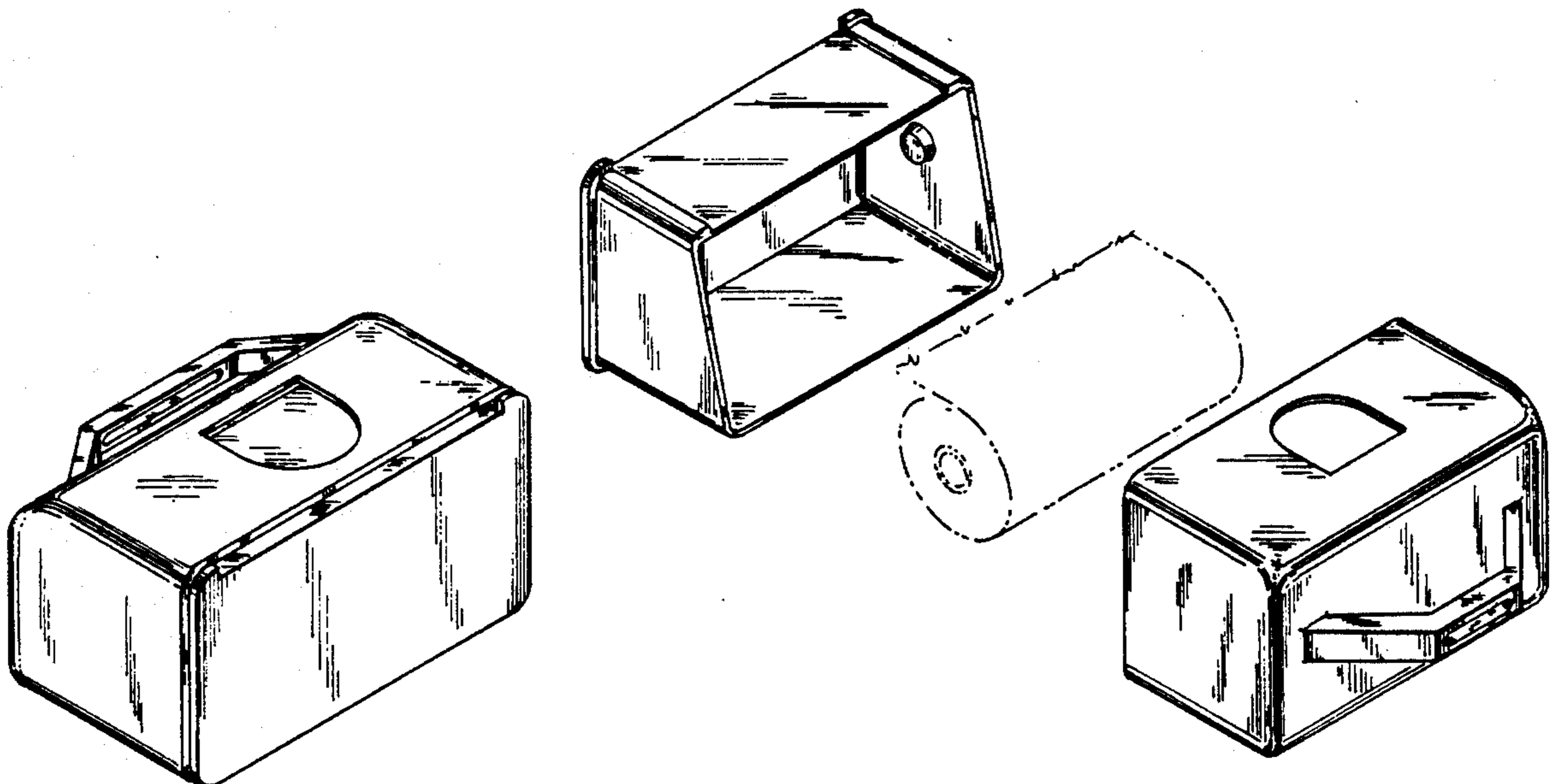
D. 176,842	2/1956	D'Ath	D6/521
D. 234,733	4/1975	Peasley	D6/521
D. 248,069	6/1978	Robles	D6/521

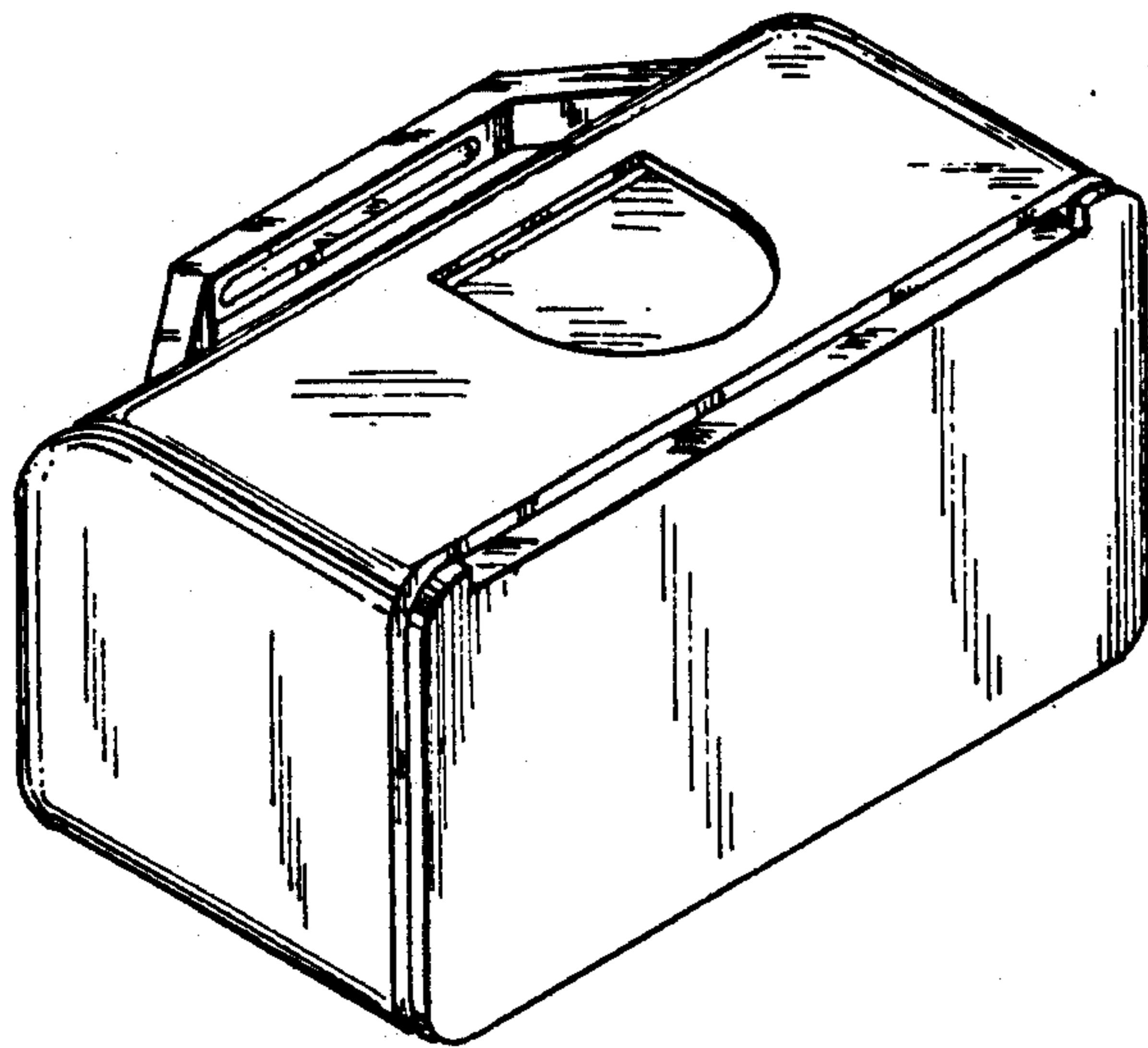
[57] **CLAIM**

The ornamental design for a dispenser for rolled material, as shown and described.

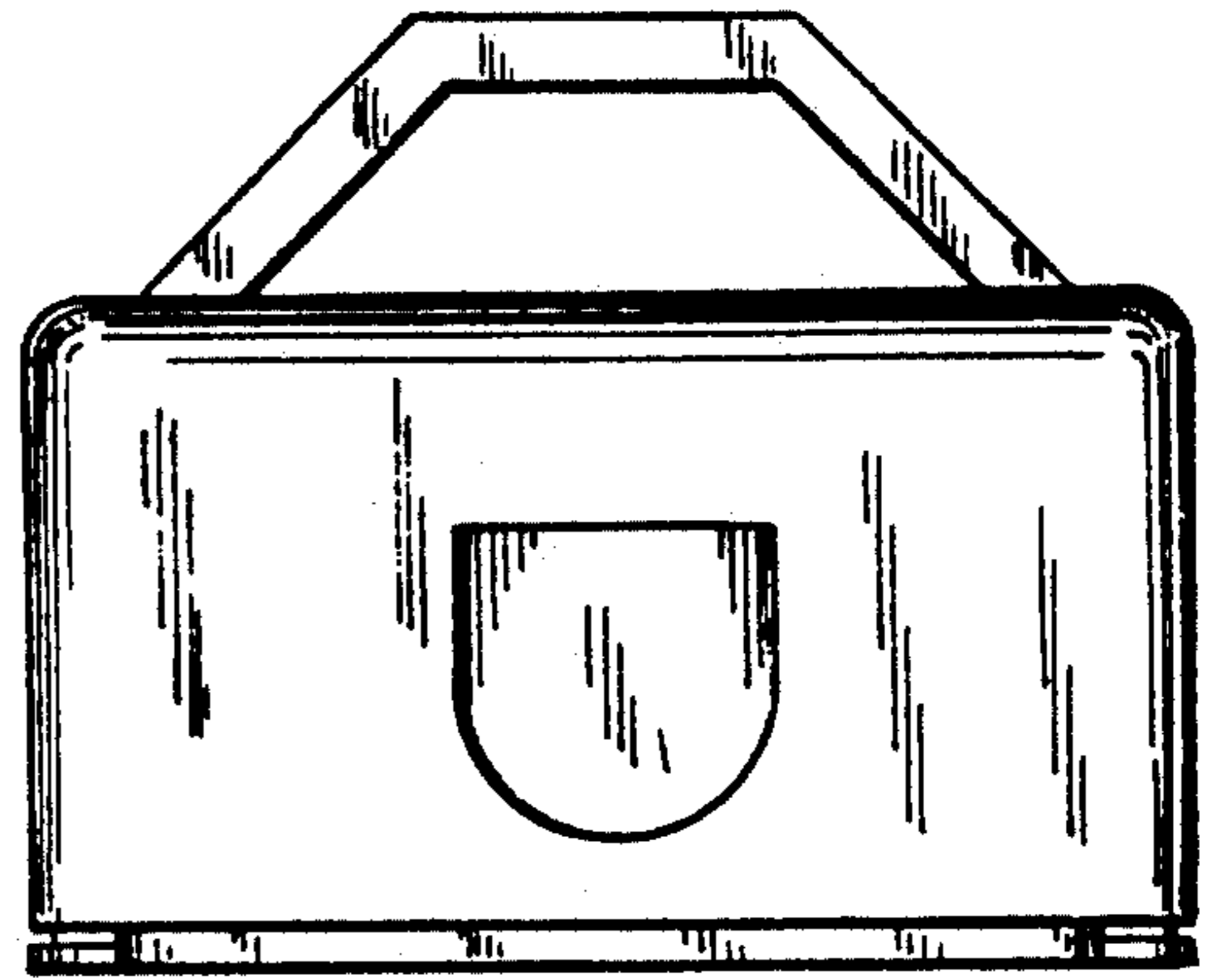
DESCRIPTION

FIG. 1 is a top, front, and left side perspective view of a dispenser for rolled material showing our new design; FIG. 2 is a top plan view thereof; FIG. 3 is a front elevational view thereof; FIG. 4 is a rear elevational view thereof; FIG. 5 is a bottom plan view thereof; and, FIG. 6 is an exploded top, rear, and right side perspective view thereof, with the broken-line disclosure of rolled material being for illustrative purposes only and forming no part of the claimed design.

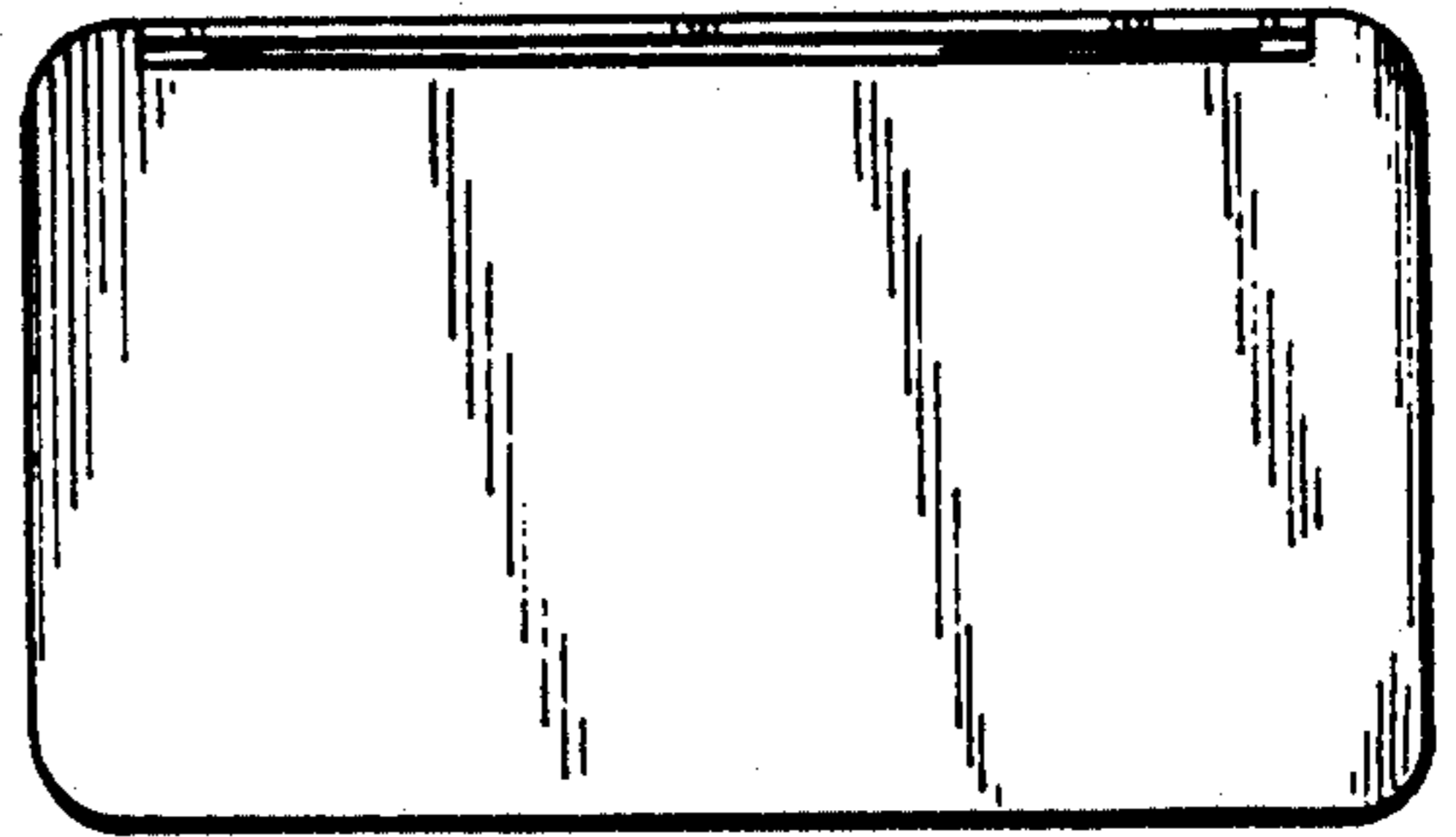




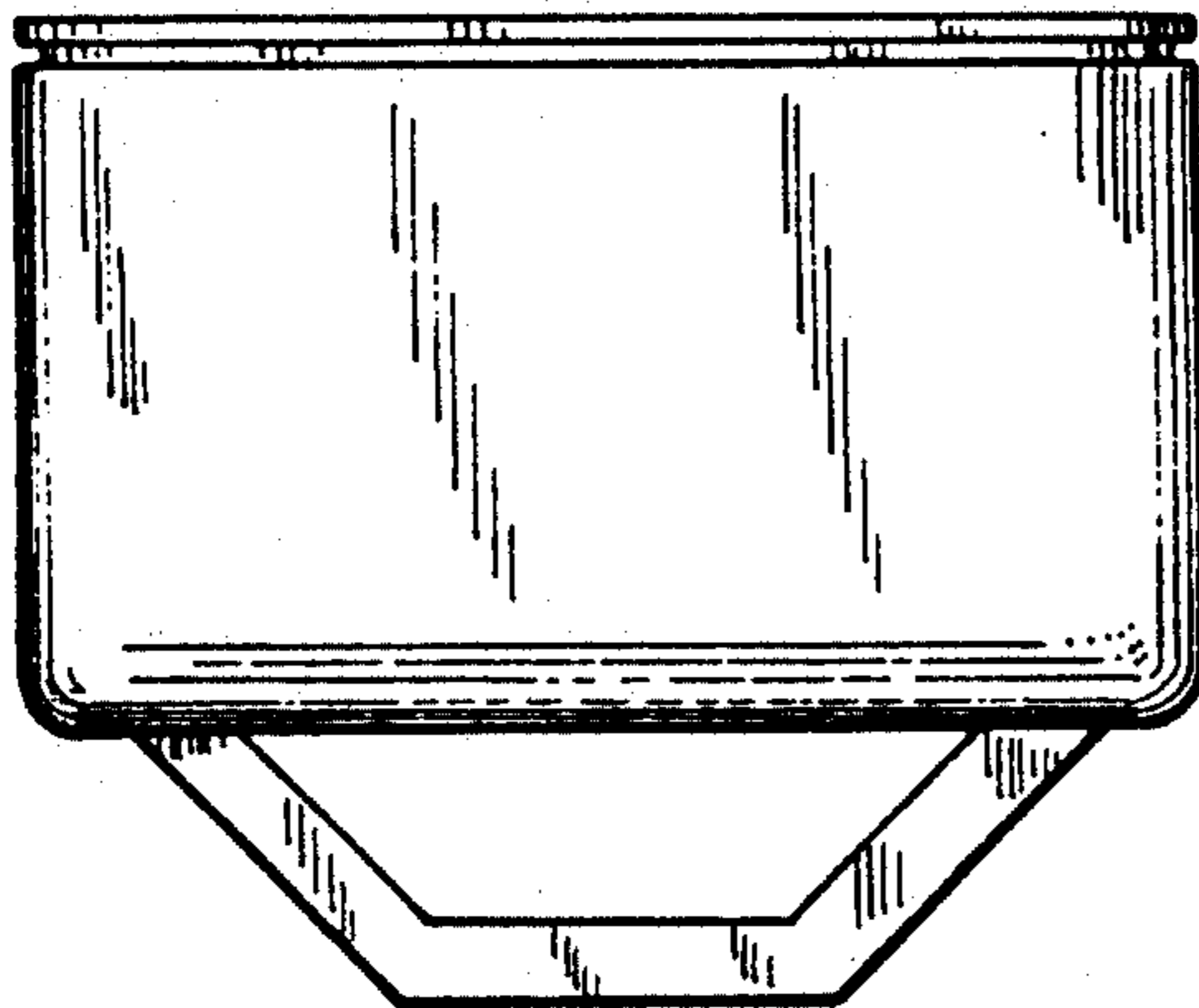
Fig_1



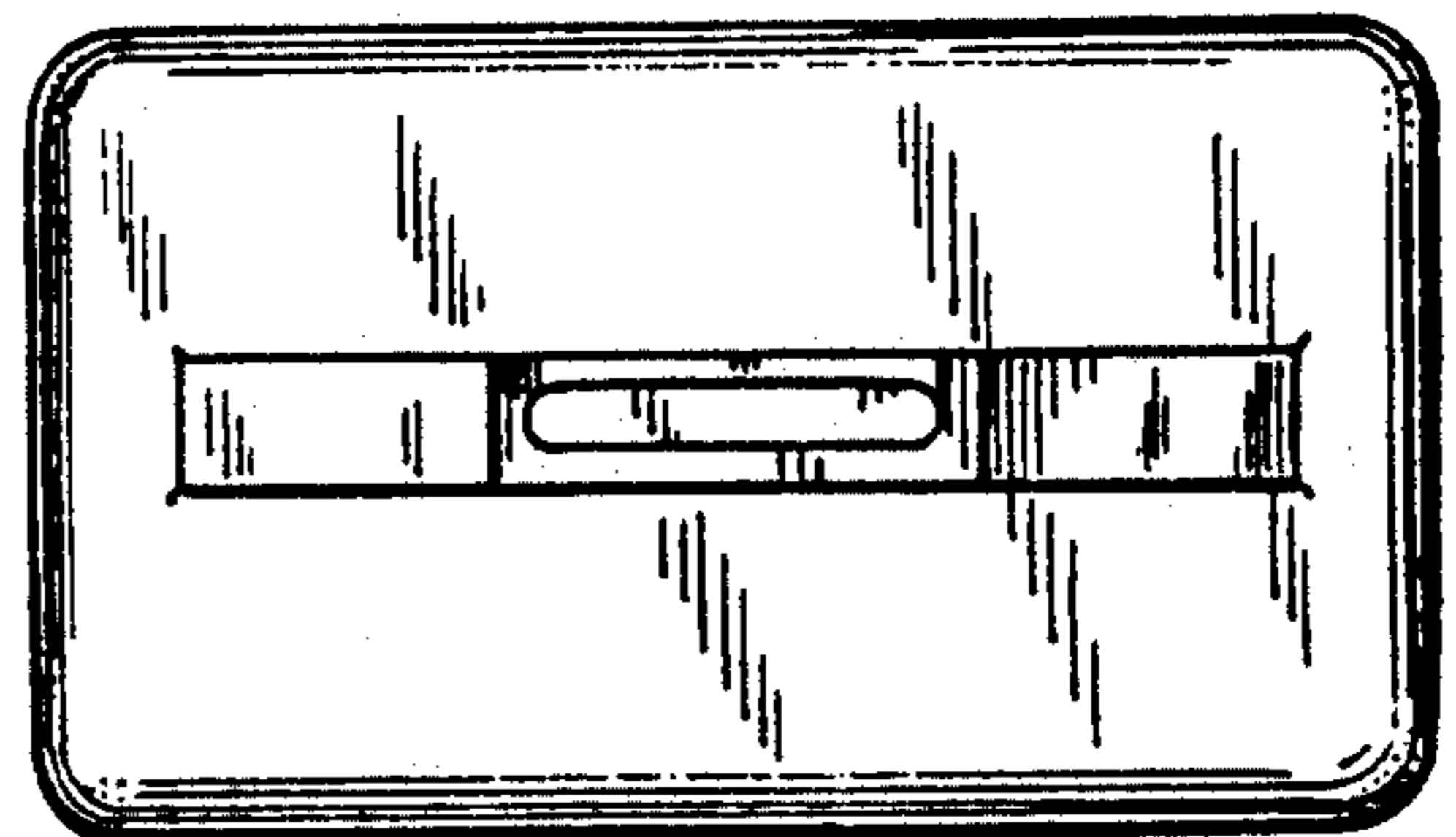
Fig_2



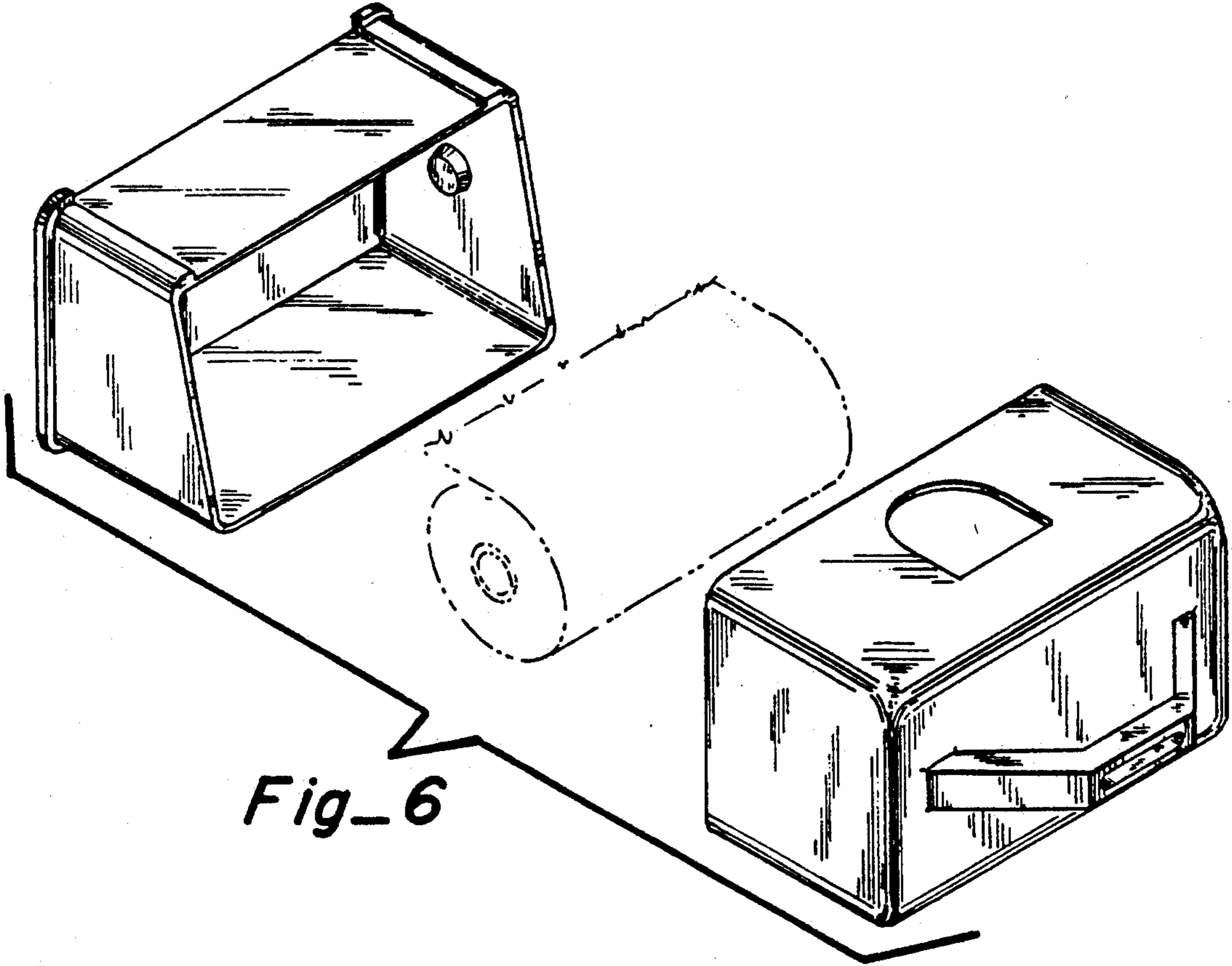
Fig_3



Fig_5



Fig_4



Fig_6