



US00D339481S

United States Patent [19]

Stephens

[11] Patent Number: **Des. 339,481**

[45] Date of Patent: **** Sep. 21, 1993**

[54] **DESK**

[75] Inventor: **William I. Stephens**, Hereford Township, Berks County, Pa.

[73] Assignee: **Westinghouse Electric Corp.**, Pittsburgh, Pa.

[**] Term: **14 Years**

[21] Appl. No.: **797,766**

[22] Filed: **Nov. 21, 1991**

[52] U.S. Cl. **D6/428**

[58] Field of Search **D6/422-428, D6/480, 484; 108/59, 60, 92; 312/194-196**

[56] **References Cited**

U.S. PATENT DOCUMENTS

- D. 99,299 4/1936 O'Neill D6/428
- D. 197,612 3/1964 Rice et al. D6/422
- D. 207,713 5/1967 Sullivan D6/422 X
- D. 243,983 4/1977 Carter D6/484

- D. 278,577 4/1985 Gwathmey et al. D6/484
- D. 294,318 2/1988 Zapf D6/484
- D. 299,893 2/1989 Diehl D6/484

OTHER PUBLICATIONS

World Furniture, by Helena Hayward, 1965, p. 144 and p. 202.

Primary Examiner—Carmen H. Vales-Lado
Attorney, Agent, or Firm—Carla J. Vrsansky

[57] **CLAIM**

The ornamental design for a desk, as shown and described.

DESCRIPTION

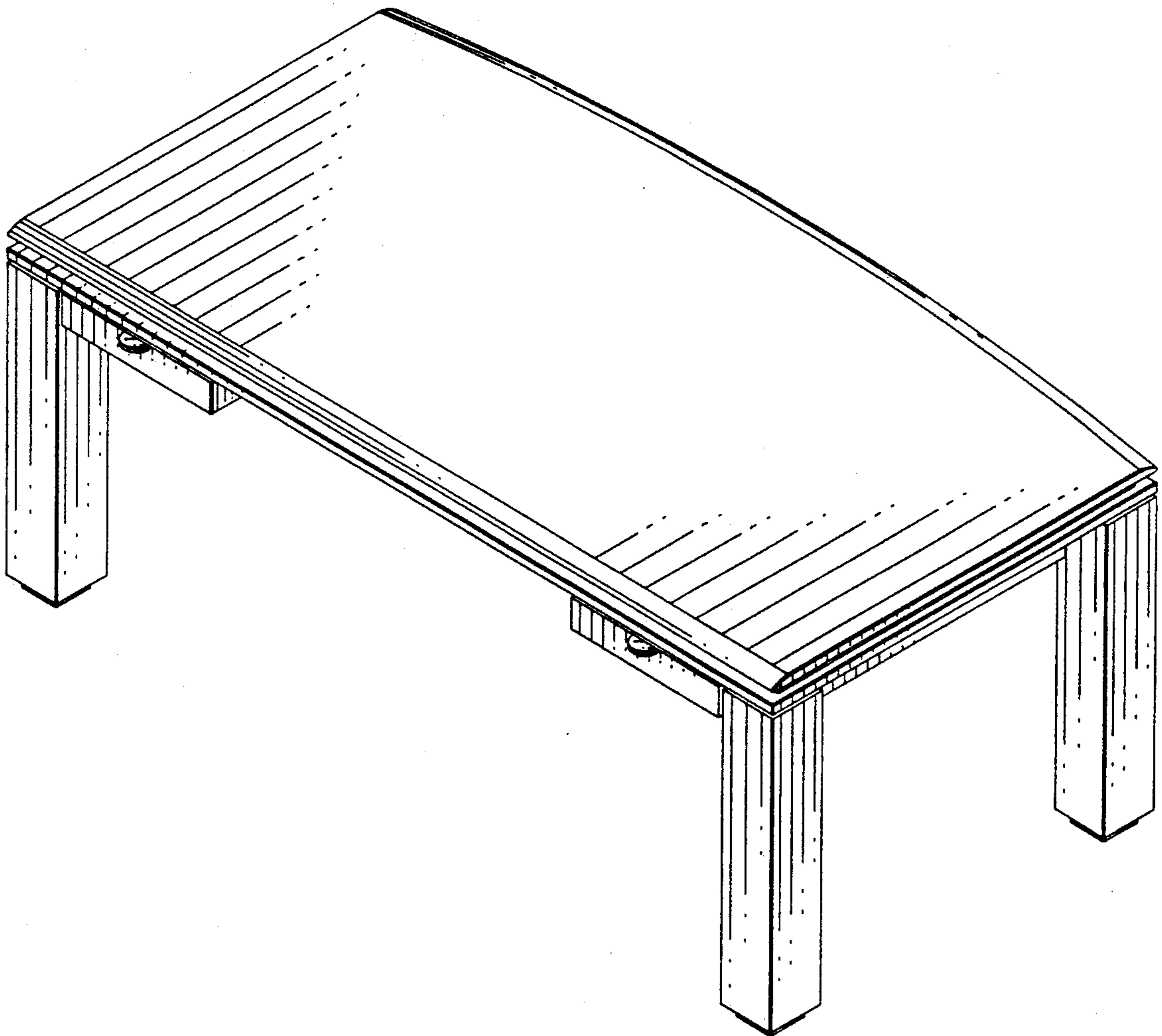
FIG. 1 is a perspective view of a desk showing my new design;

FIG. 2 is a front elevation view thereof;

FIG. 3 is a rear elevation view thereof;

FIG. 4 is a side elevation view thereof; and,

FIG. 5 is a top plan view thereof.



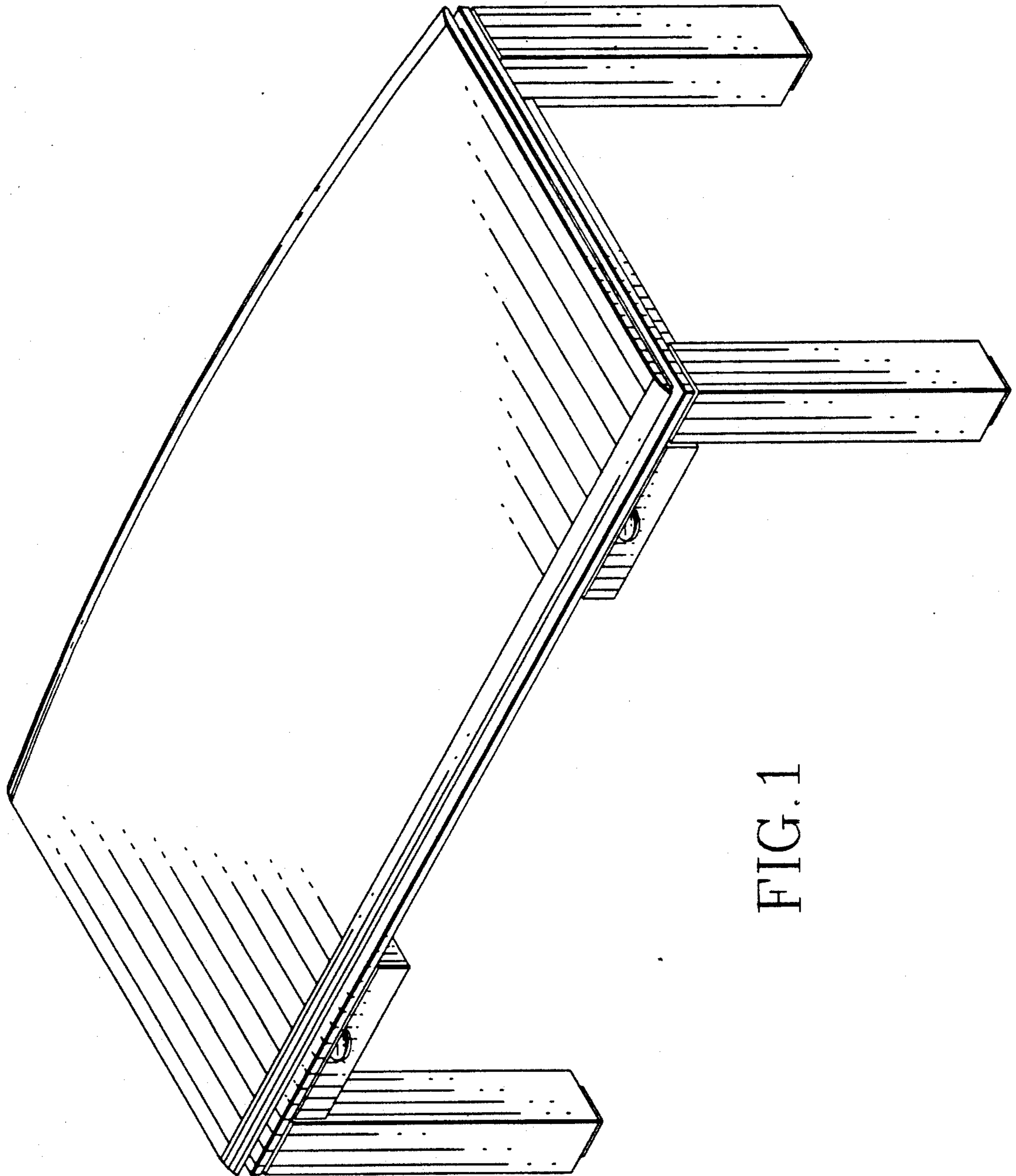


FIG. 1

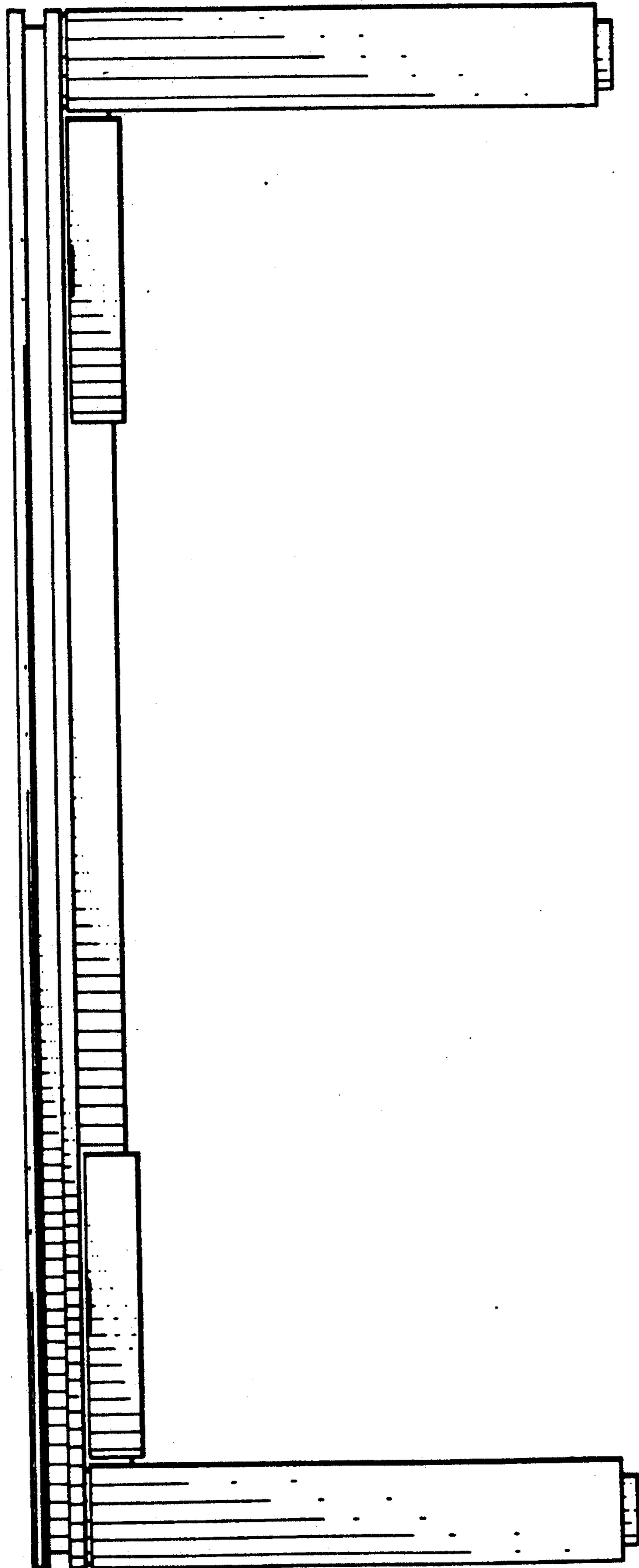


FIG. 2

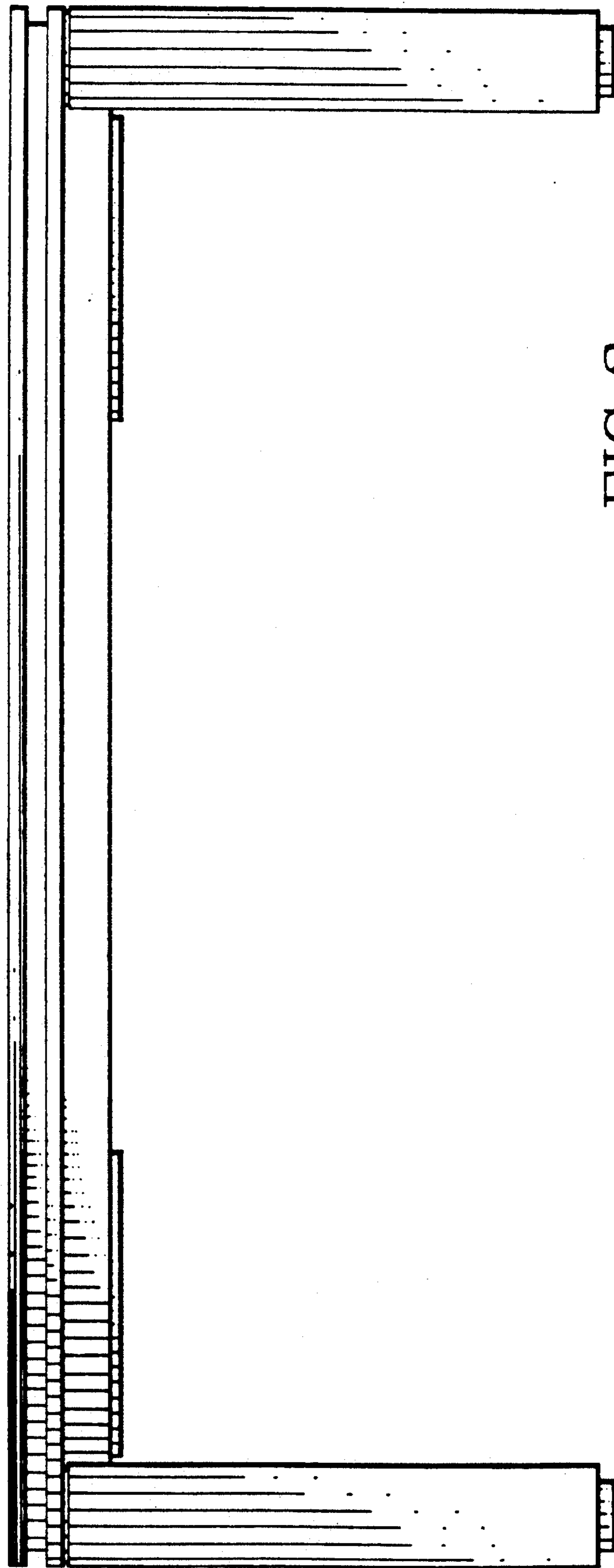


FIG. 3

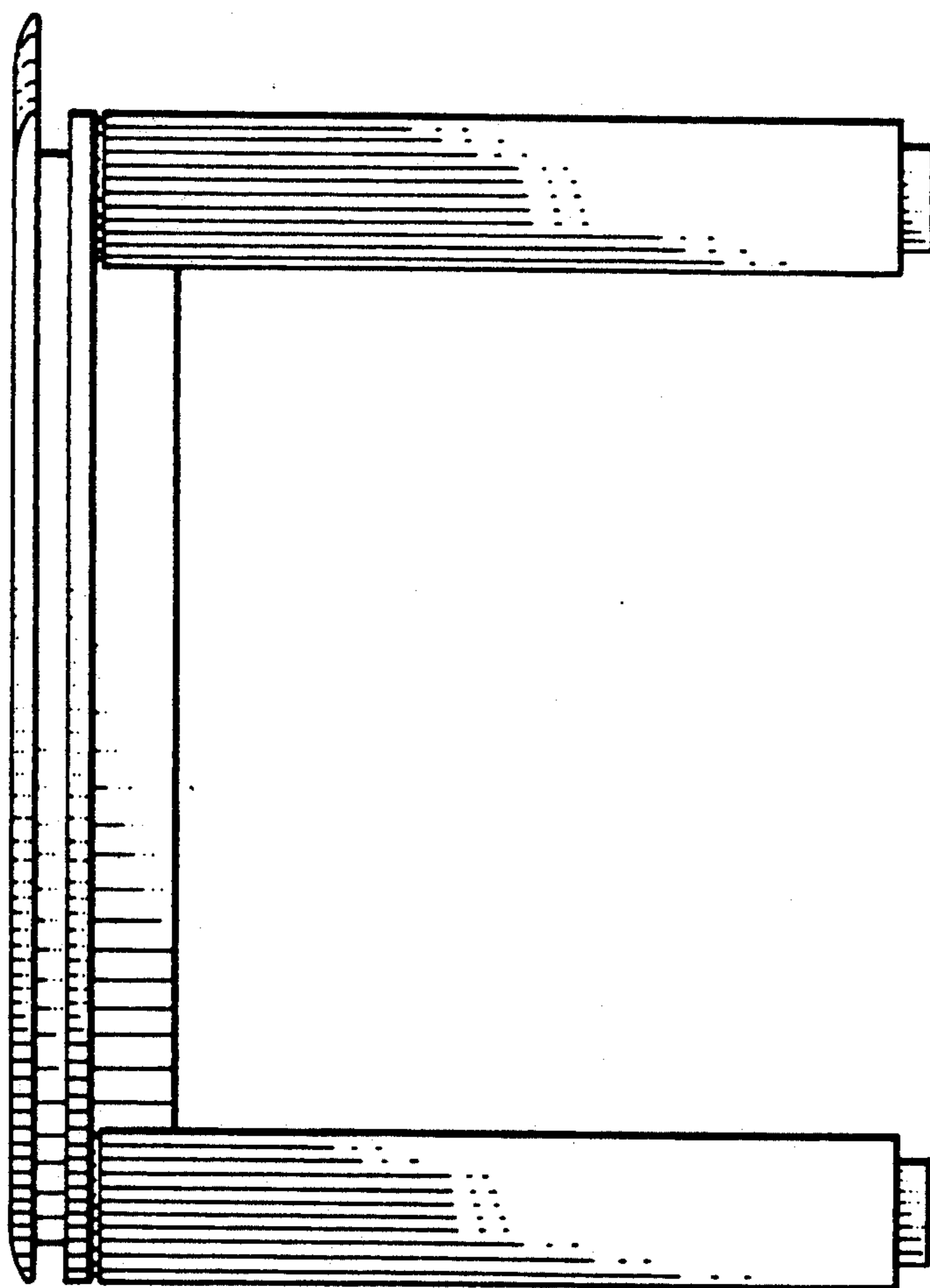


FIG. 4

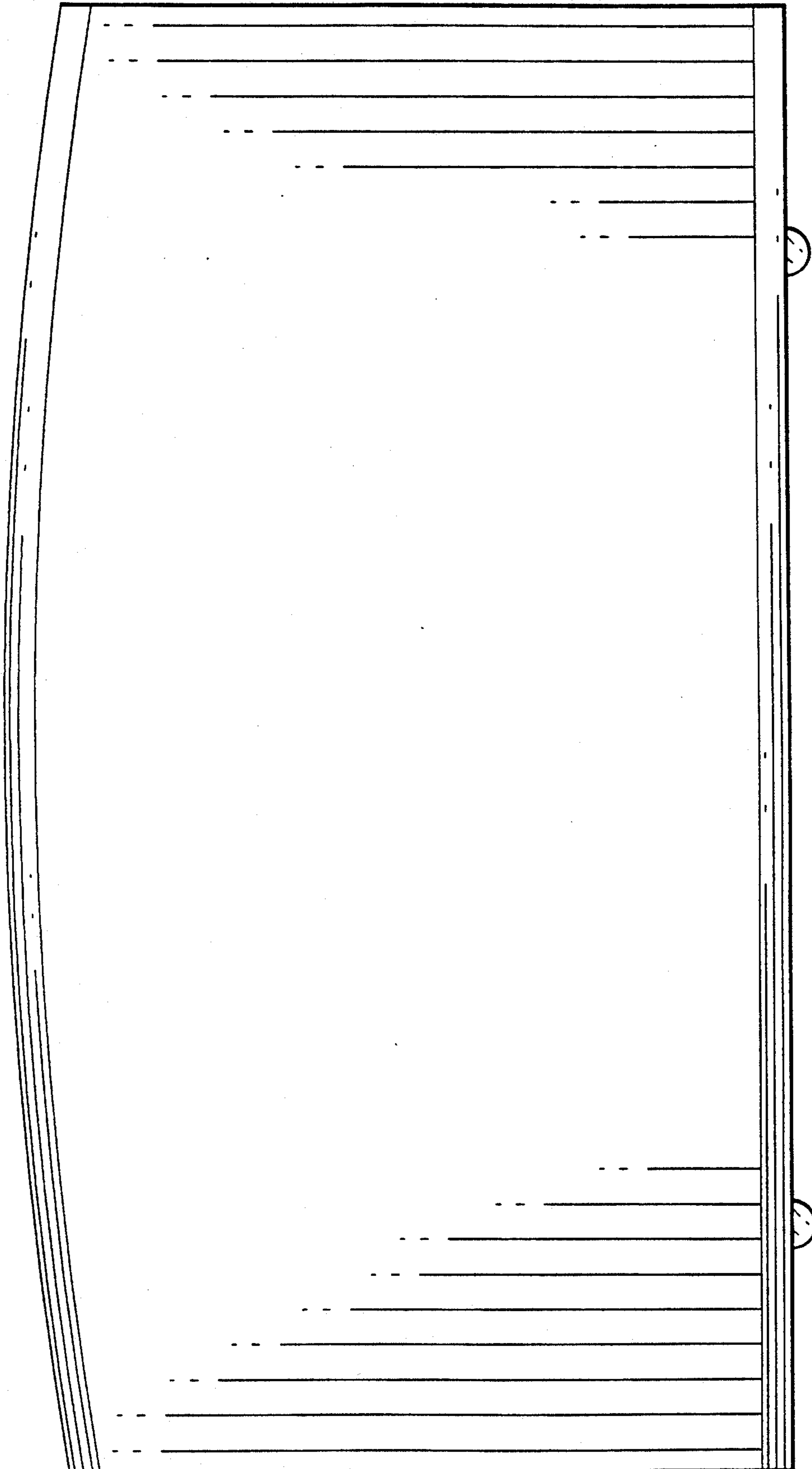


FIG. 5