



US00D339475S

United States Patent [19]

[11] Patent Number: **Des. 339,475**

Chan

[45] Date of Patent: **** Sep. 21, 1993**

[54] MIRROR

D. 297,787 9/1988 De Tritoff-erte D6/303

[75] Inventor: **Wan-Fai Chan, Kwai Chung, Hong Kong**

OTHER PUBLICATIONS

Evans Catalog, 1989-1990 p. 240 Hong Kong Enterprise, Oct. 1989, p. 613 (Heart shaped mirror, Item 10-501).

[73] Assignee: **Fukloy Shun Industrial Co. Ltd., Hong Kong**

Primary Examiner—Bernard Ansher
Assistant Examiner—Adir Aronovich
Attorney, Agent, or Firm—Burns, Doane, Swecker & Mathis

[**] Term: **14 Years**

[21] Appl. No.: **649,932**

[57] CLAIM

The ornamental design for a mirror, as shown and described.

[22] Filed: **Feb. 4, 1991**

[52] U.S. Cl. **D6/303**

[58] Field of Search **D6/300-303, D6/308-314; D9/315; D28/64.1-64.7; 40/152, 152.1; 248/469-472; 359/871**

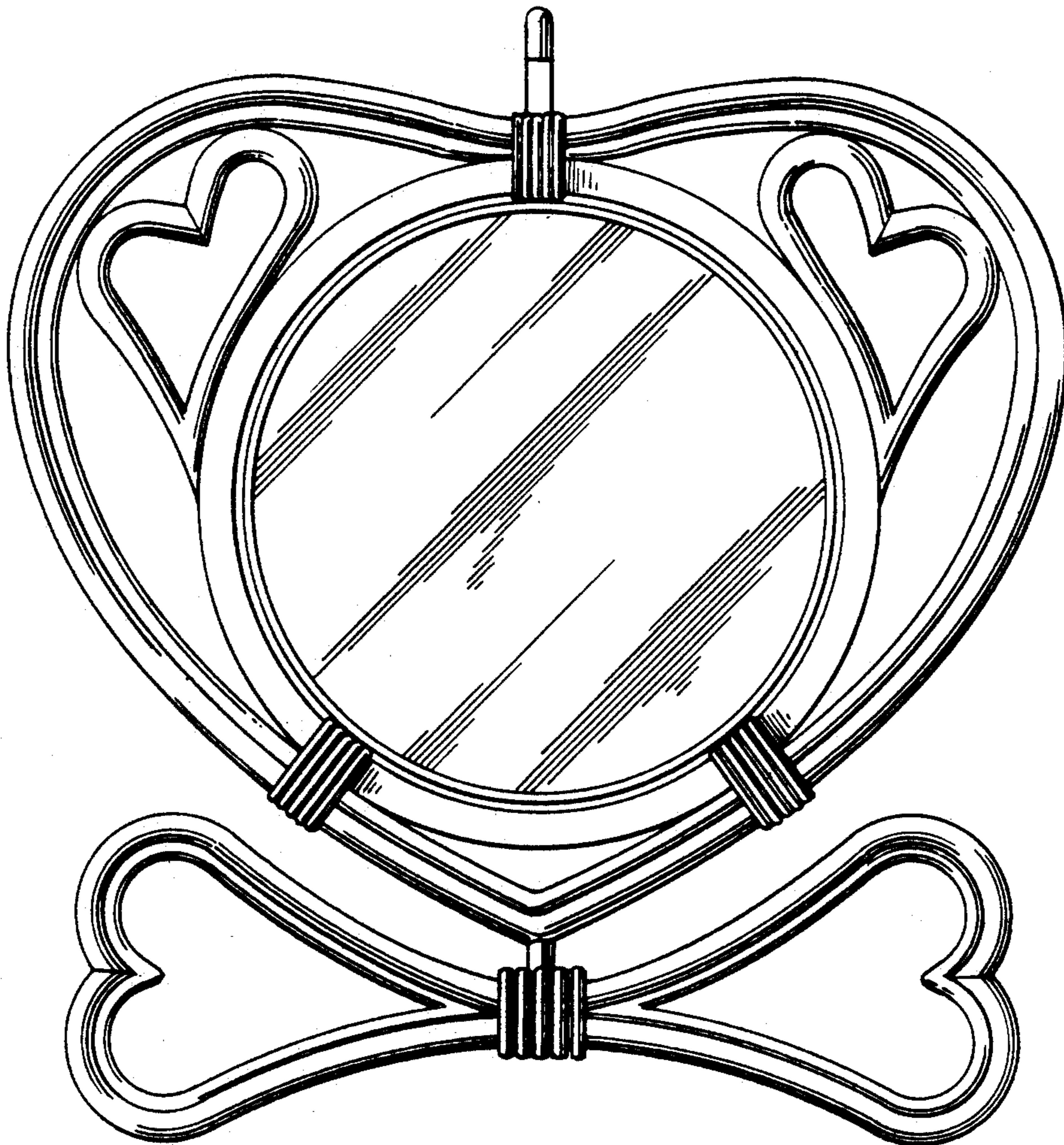
DESCRIPTION

[56] References Cited

U.S. PATENT DOCUMENTS

D. 117,346	10/1939	Brickley	D9/315
D. 137,498	3/1944	Moglen	D6/304
D. 142,759	10/1945	Winslow	D28/64.2
D. 291,263	8/1987	Furey	D6/303

FIG. 1 is a front elevational view of a mirror showing my new design;
FIG. 2 is a rear elevational view thereof;
FIG. 3 is a left side elevational view thereof;
FIG. 4 is a right side elevational view thereof;
FIG. 5 is a top plan view thereof; and,
FIG. 6 is a bottom plan view thereof.



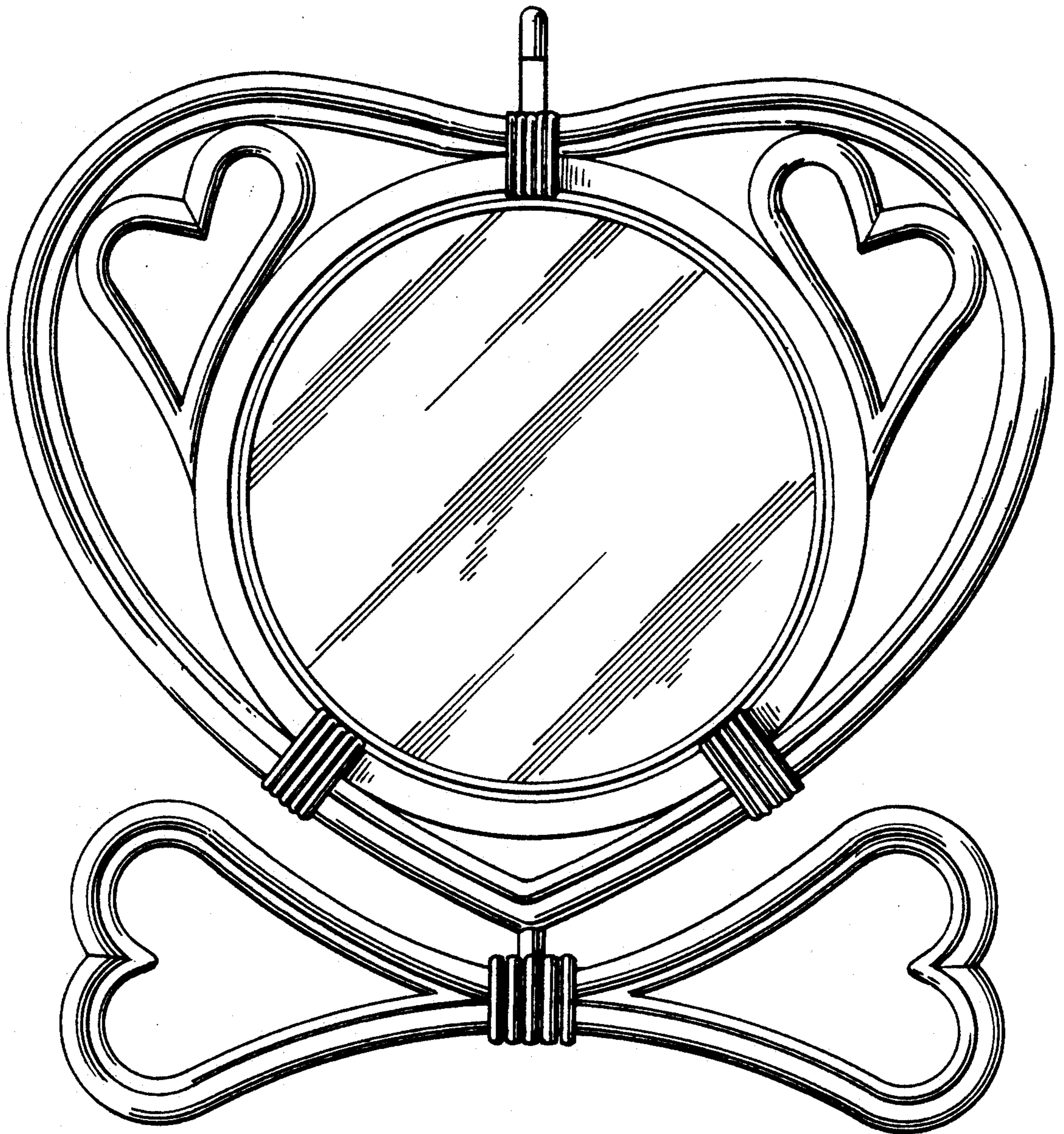


Fig. 1

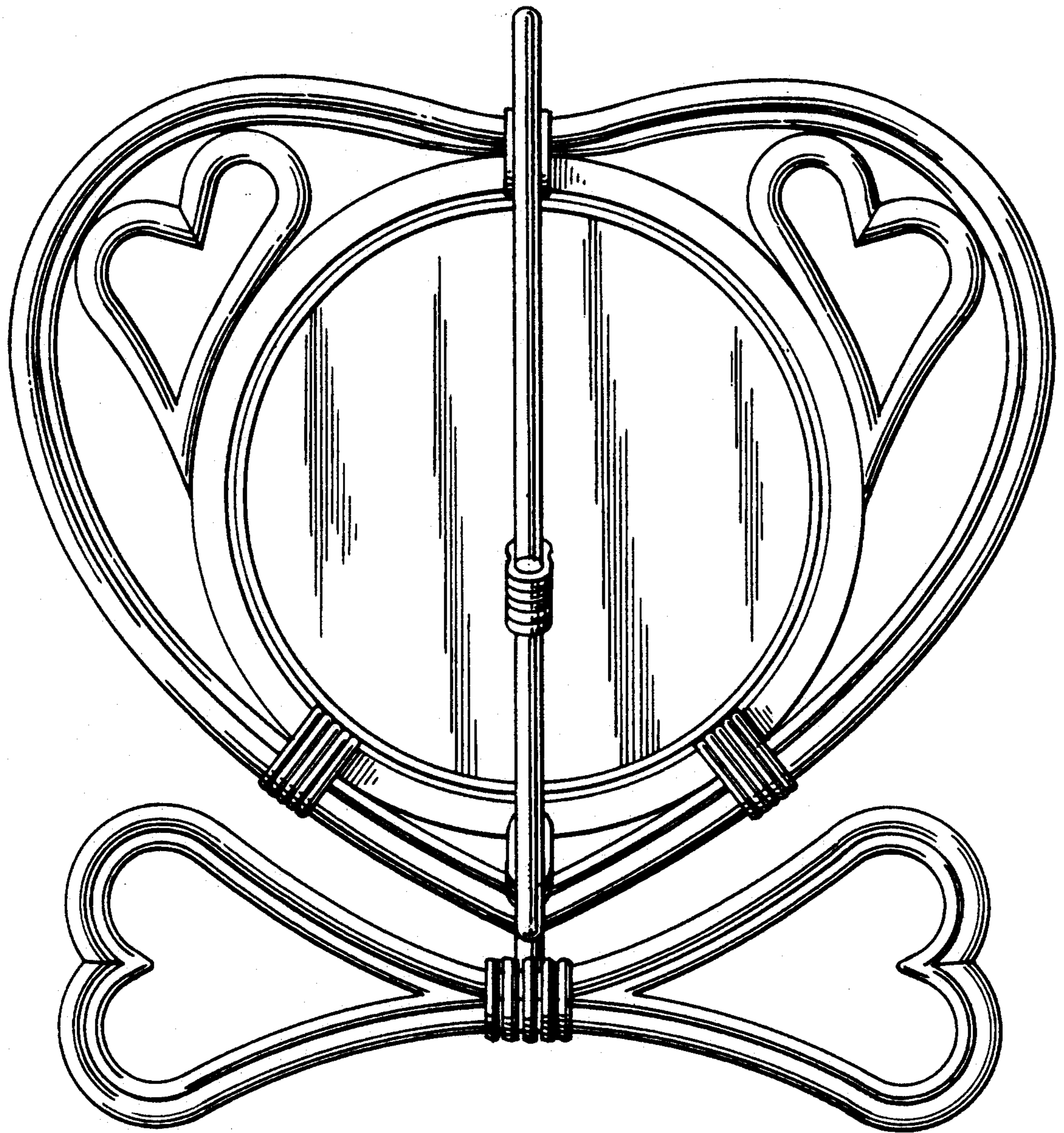


Fig. 2

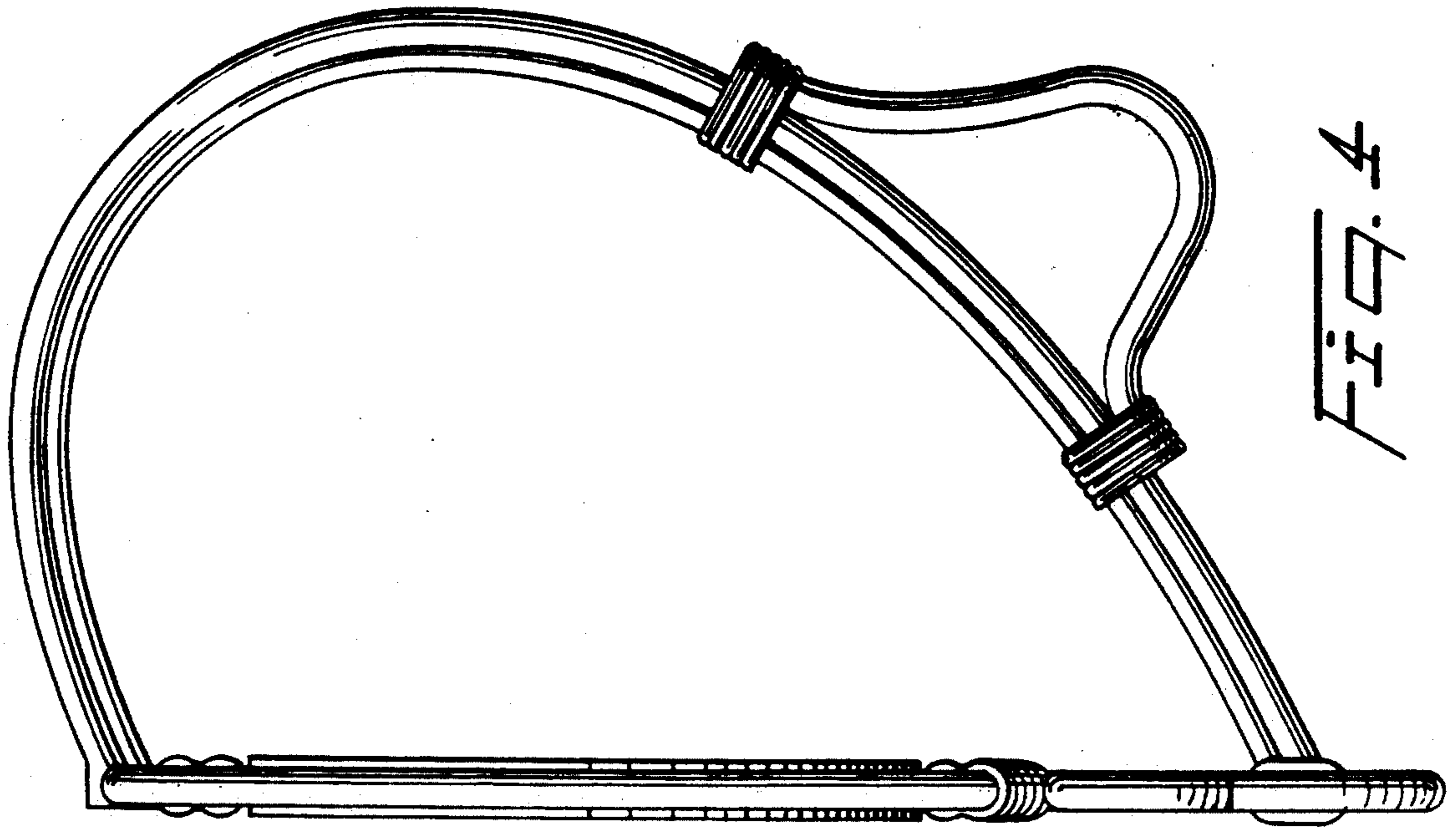


FIG. 4

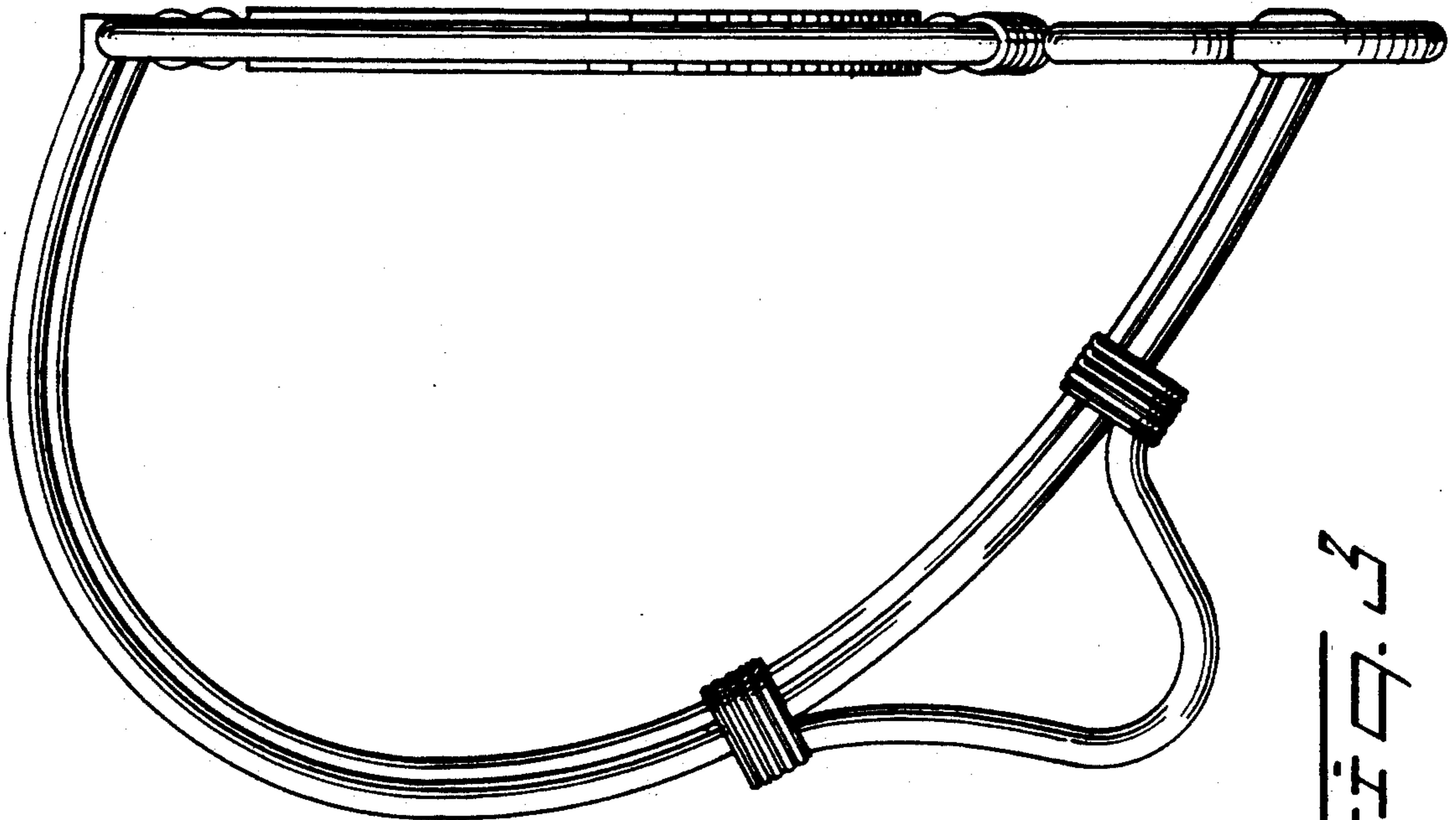


FIG. 3

Fig. 5

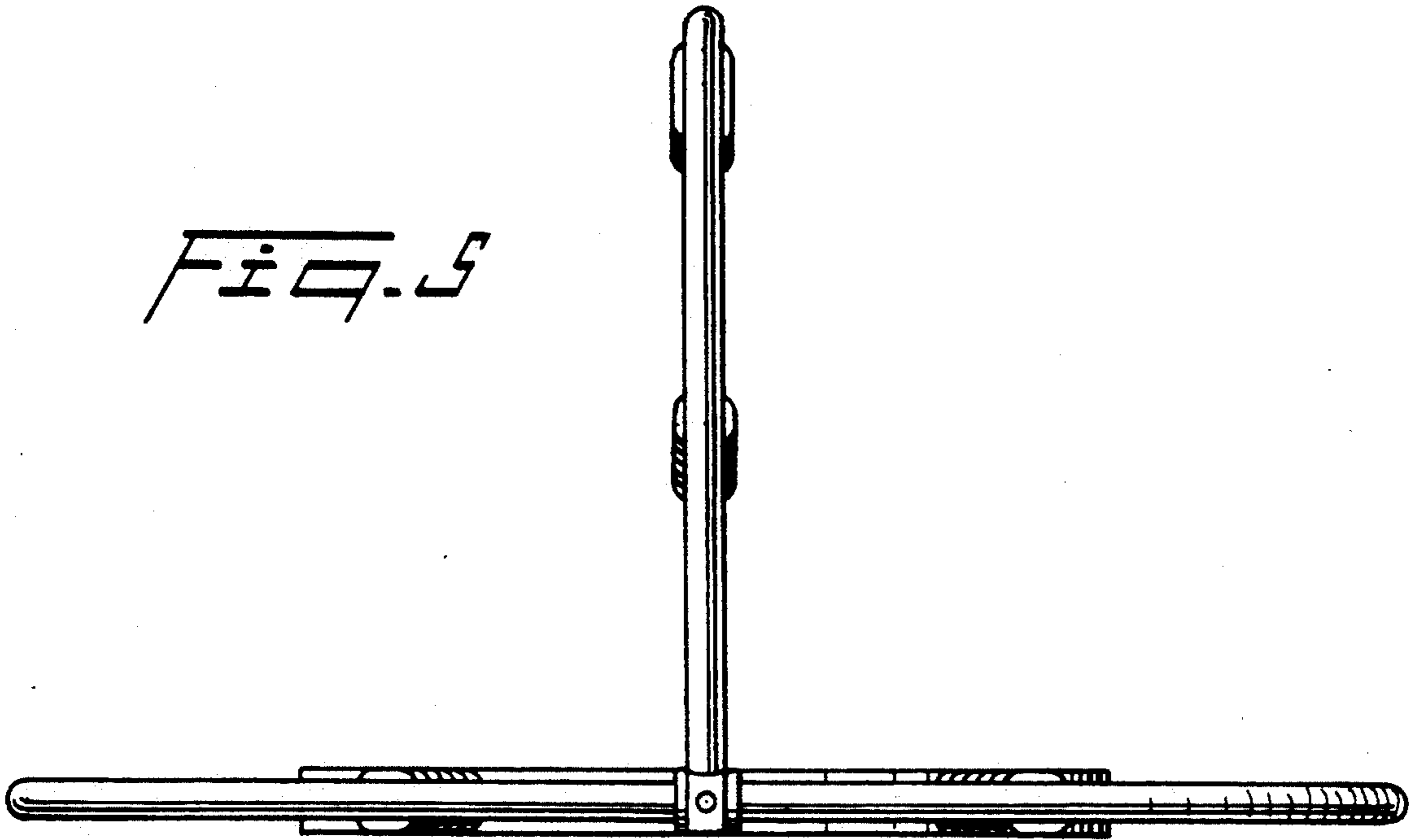


Fig. 6

