



US00D339471S

United States Patent [19]

Maple et al.

[11] Patent Number: Des. 339,471

[45] Date of Patent: ** Sep. 21, 1993

[54] LID FOR STORAGE CONTAINER

[75] Inventors: Wade A. F. Maple, Wooster, Ohio; James A. Schillinger, Augusta, Kans.

[73] Assignee: Rubbermaid Incorporated, Wooster, Ohio

[**] Term: 14 Years

[21] Appl. No.: 790,708

[22] Filed: Nov. 12, 1991

[52] U.S. Cl. D3/78; D7/605

[58] Field of Search D3/76, 78, 74, 39, 30.1; D7/538, 77, 605; 206/315.11, 373, 372; 220/903, 902, 349, 350, 357, 387; D9/420; D6/440

[56] References Cited

U.S. PATENT DOCUMENTS

D. 158,368	5/1950	Felts	D58/12.6
D. 168,205	11/1952	Baustian et al.	D87/5
D. 237,135	10/1975	Winnt et al.	D7/77
D. 237,611	11/1975	Minneman	D22/14
D. 246,828	1/1978	White	D9/267
D. 247,152	2/1978	Raymond	D3/74 X
D. 257,934	1/1981	Buss	D7/61
D. 275,822	10/1984	Gatland et al.	D3/30.1 X
D. 286,937	11/1986	Schafer	D34/43
D. 295,484	5/1988	Tarozzi et al.	D7/605
D. 302,774	8/1989	Murphy	D7/76
D. 308,340	6/1990	Ilsen	D9/425
D. 312,573	12/1990	Poirier	D9/424
D. 319,016	8/1991	Kahl	D9/424
D. 325,323	4/1992	Kahl	D7/605
3,606,511	9/1971	Henning et al.	312/266
3,958,359	5/1976	Doughty	D7/605 X
3,987,829	10/1976	Leone	150/5
4,848,626	7/1989	Waters	224/273
4,863,023	9/1989	Payne et al.	206/364
5,011,013	4/1991	Meisner et al.	206/373

OTHER PUBLICATIONS

Hardware Age, Nov. 1983 p. 47 left rear Cooler. Catlog page, Coolers, The Coleman Company, 250

North Street, Francis, Wichita, Kansas 67201. It is believed that the product depicted herein has been on sale for more than one (1) year prior to the application date of this instant application.

P. 3 of Price List, Pocket Cooler, Thermos Outdoor Living Products, Route 75 East, Freeport, Illinois 61032. Publication date 1988.

Pp. 22 and 23, Storage Container, Rubbermaid Incorporated Housewares Products Division, 1147 Akron Road, Wooster, Ohio 44691. Publication date 1990.

Pp. 6, 7, 8 and 9, Rubbermaid Incorporated, Specialty Products Division, North Honeytown Road, Smithville, Ohio 44677. Publication date 1989.

Sell Sheet, Storage Containers, Sterilite Corporation, P.O. Box 524, Main Street, Townsend, Massachusetts. Publication date 1989.

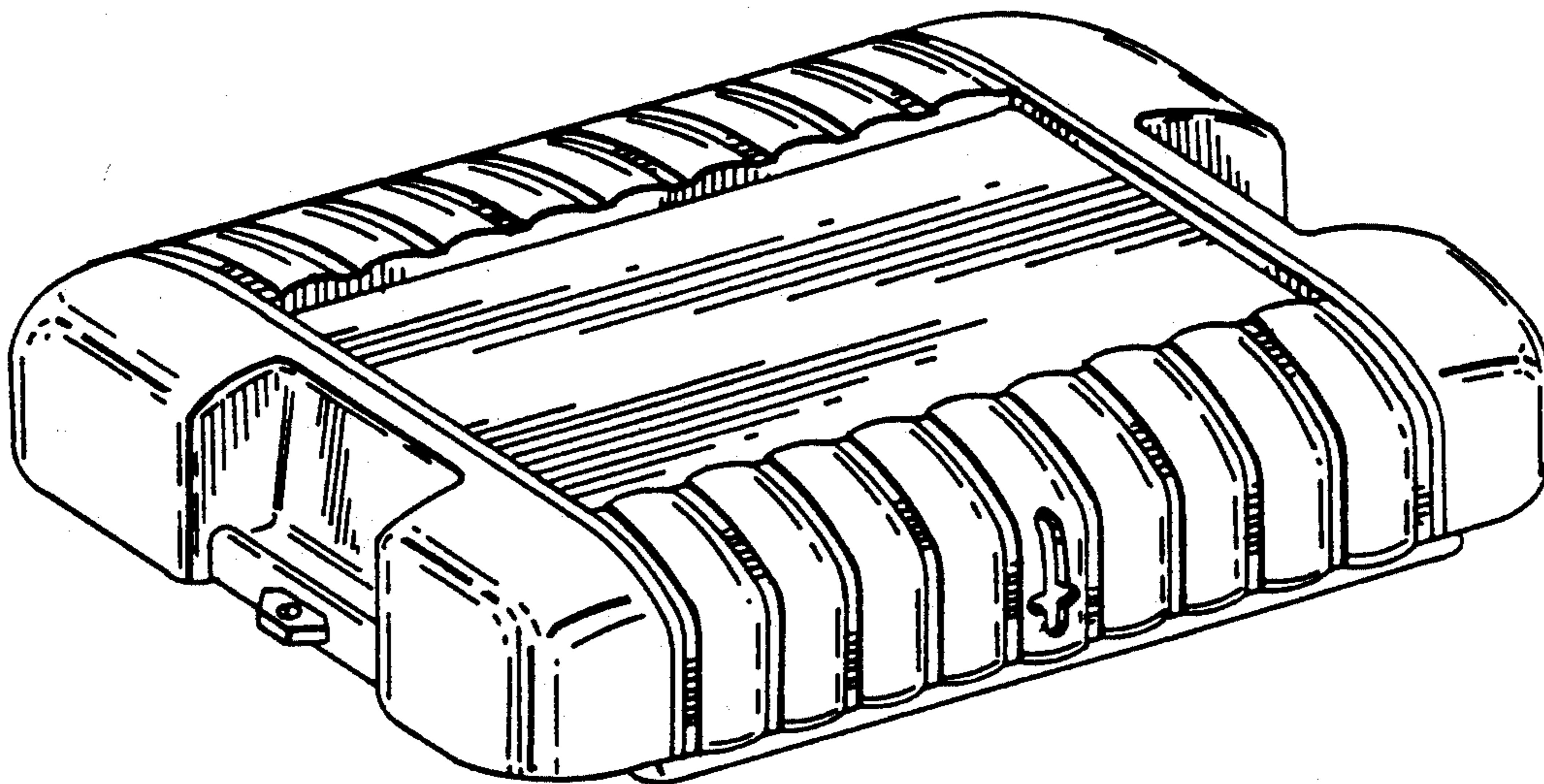
Primary Examiner—Bernard Ansher
Assistant Examiner—Paula Mortimor
Attorney, Agent, or Firm—Richard B. O'Planick; Lisa B. Riedesel

[57] CLAIM

The ornamental design for a lid for storage container, as shown and described.

DESCRIPTION

FIG. 1 is a top left front perspective view of a lid for storage container showing our new design; FIG. 2 is a front perspective view thereof, in an open position; FIG. 3 is a front elevational view thereof; FIG. 4 is a top plan view thereof; FIG. 5 is a bottom plan view thereof; FIG. 6 is a right side elevational view thereof; the opposite side being a mirror image; FIG. 7 is a rear elevational view thereof; FIG. 8 is a top left front perspective view of an alternate embodiment of a lid for storage container showing our new design; and, FIG. 9 is a front perspective view thereof, in an open position.



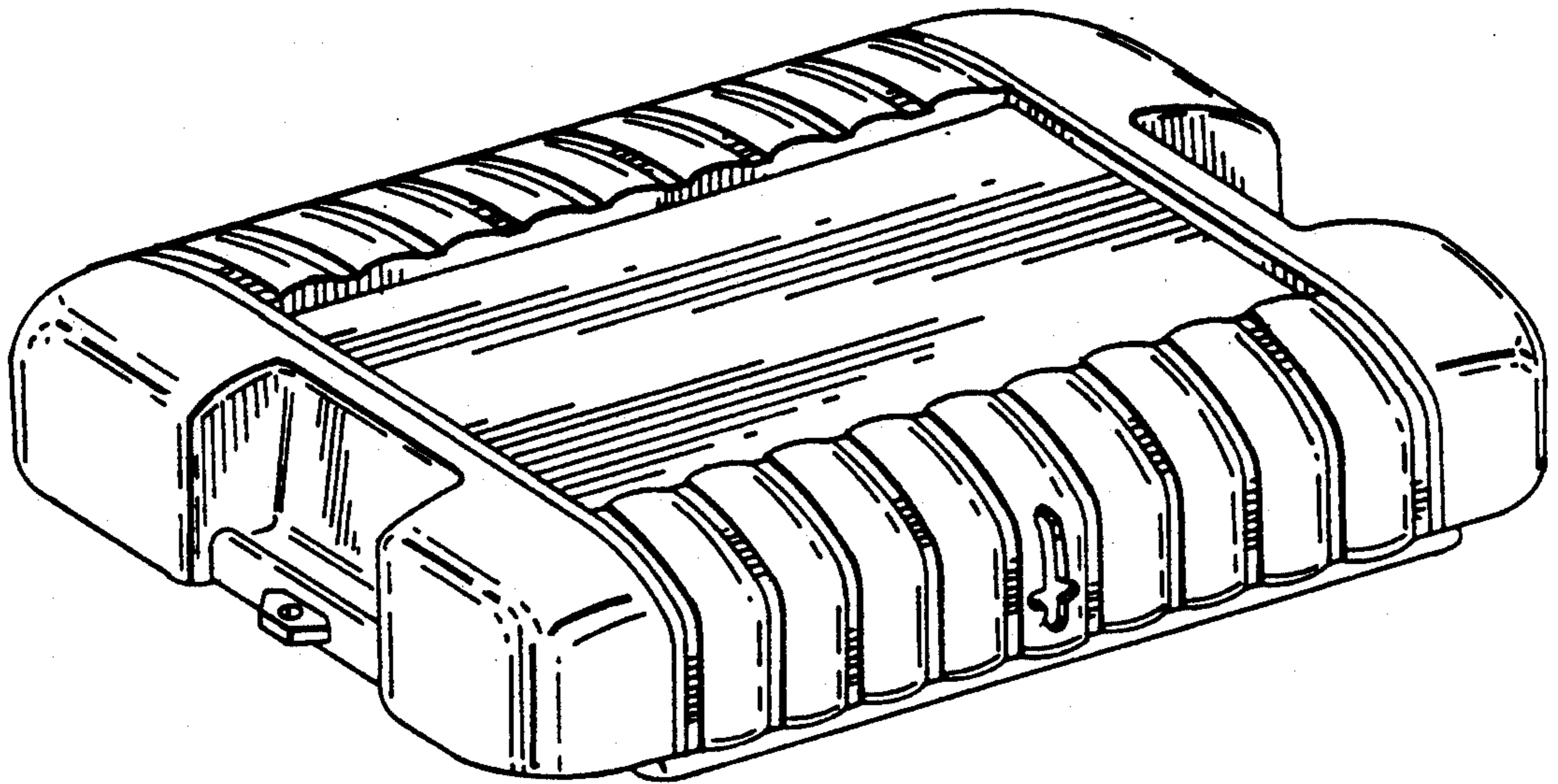


FIG. 1

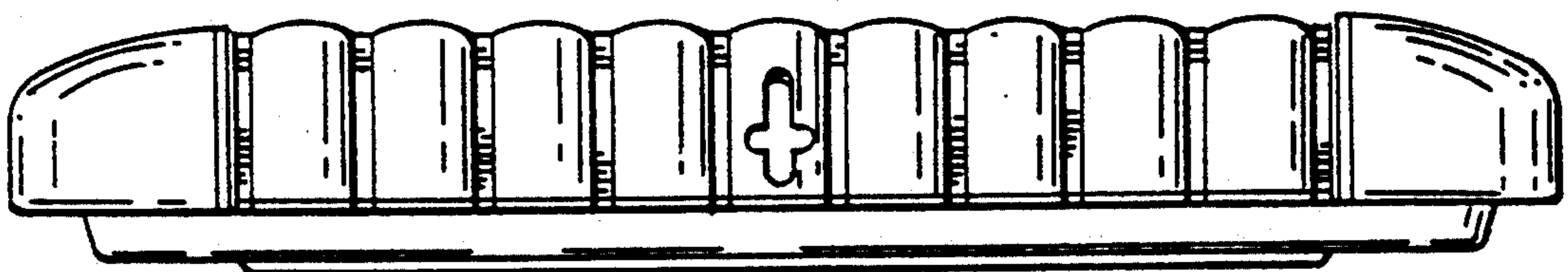


FIG. 3

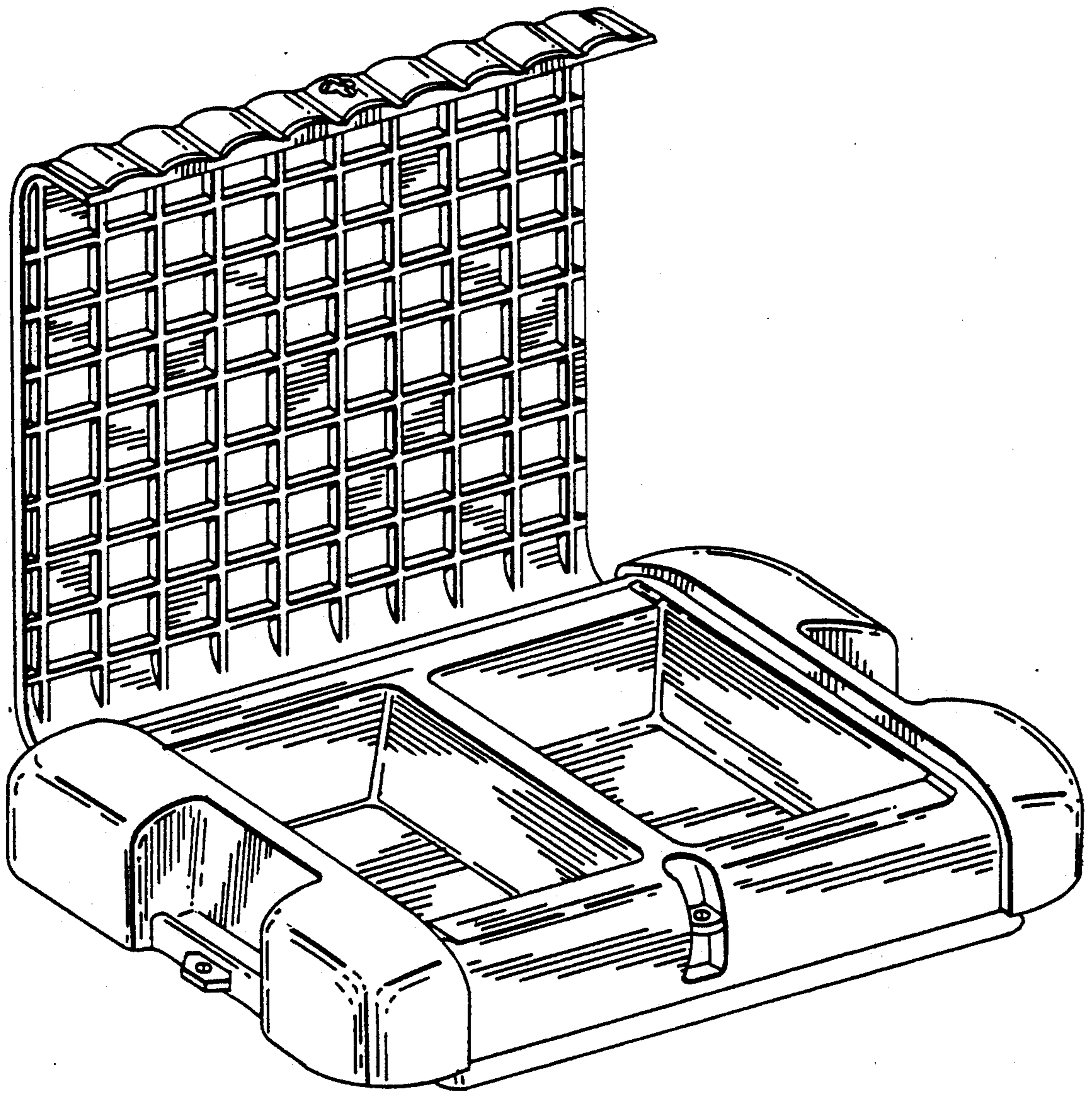


FIG. 2

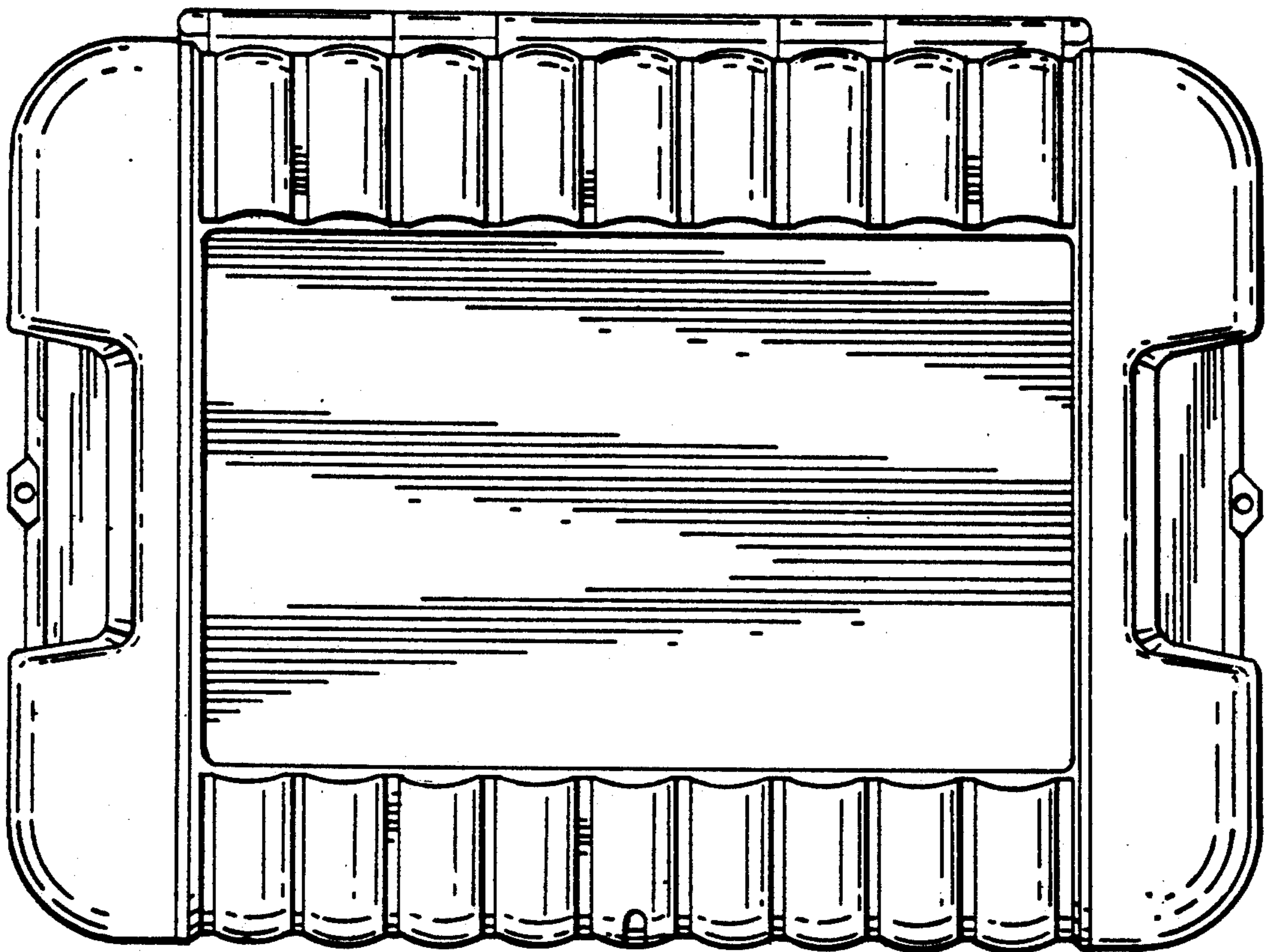


FIG. 4

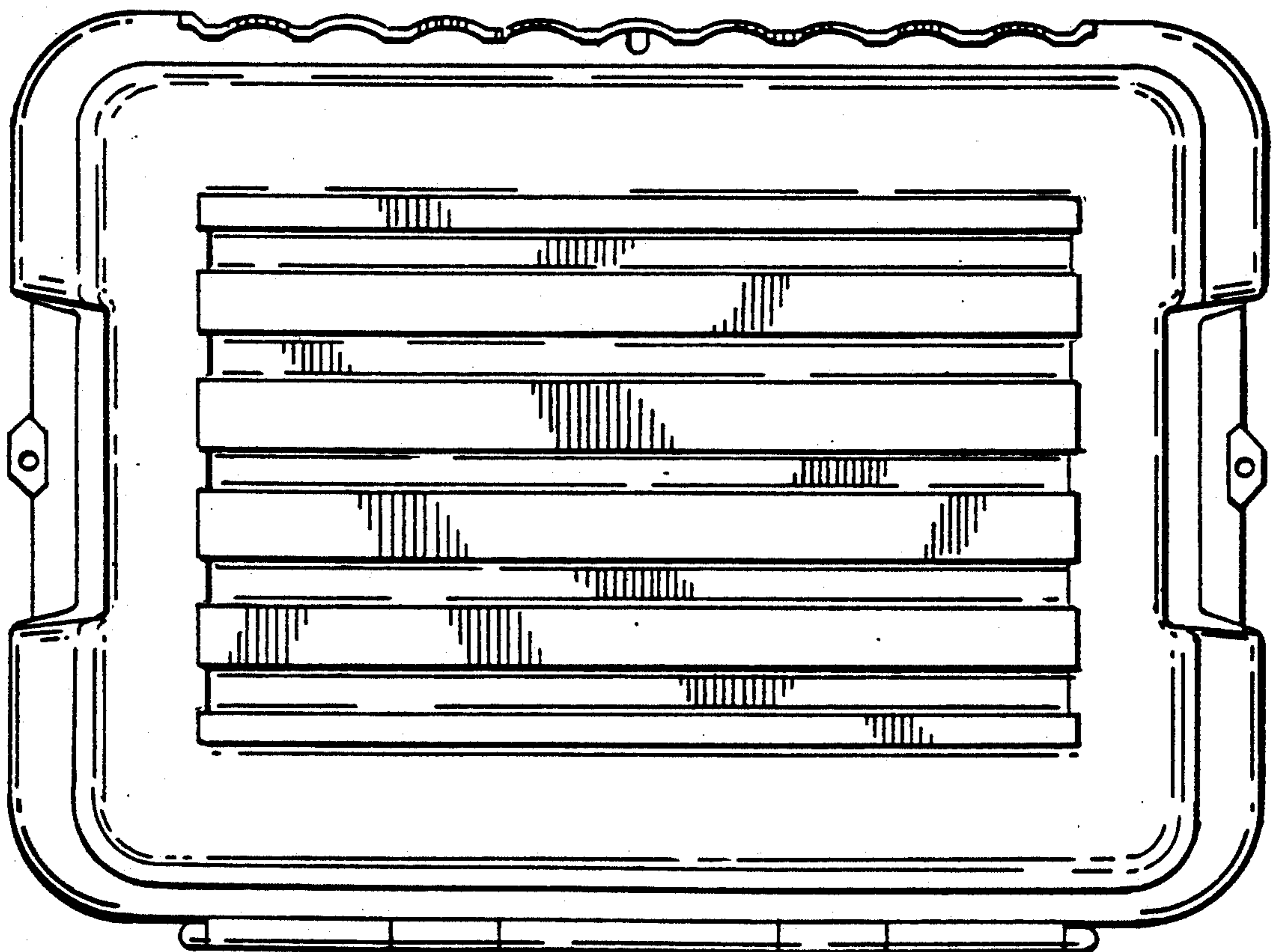


FIG. 5

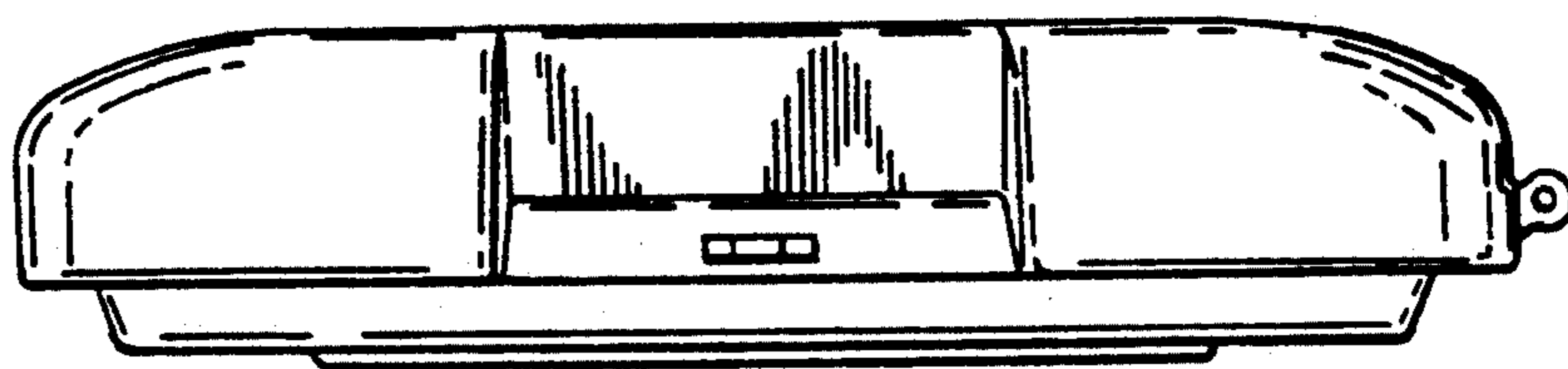


FIG. 6

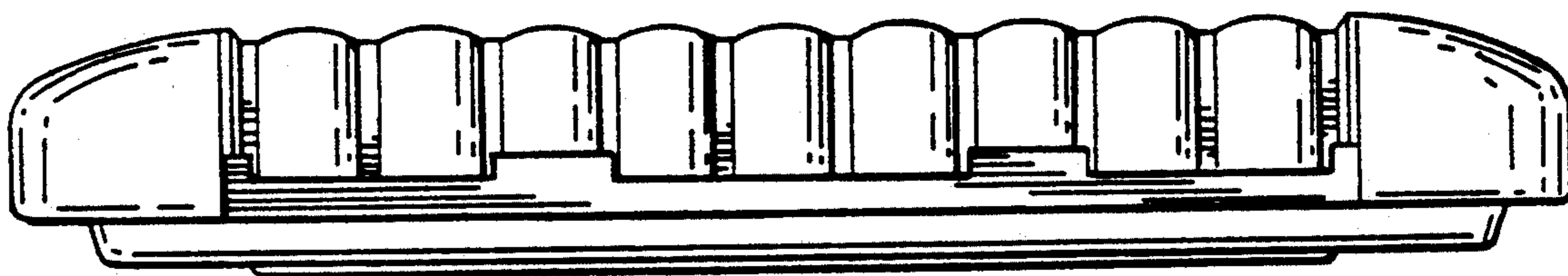


FIG. 7

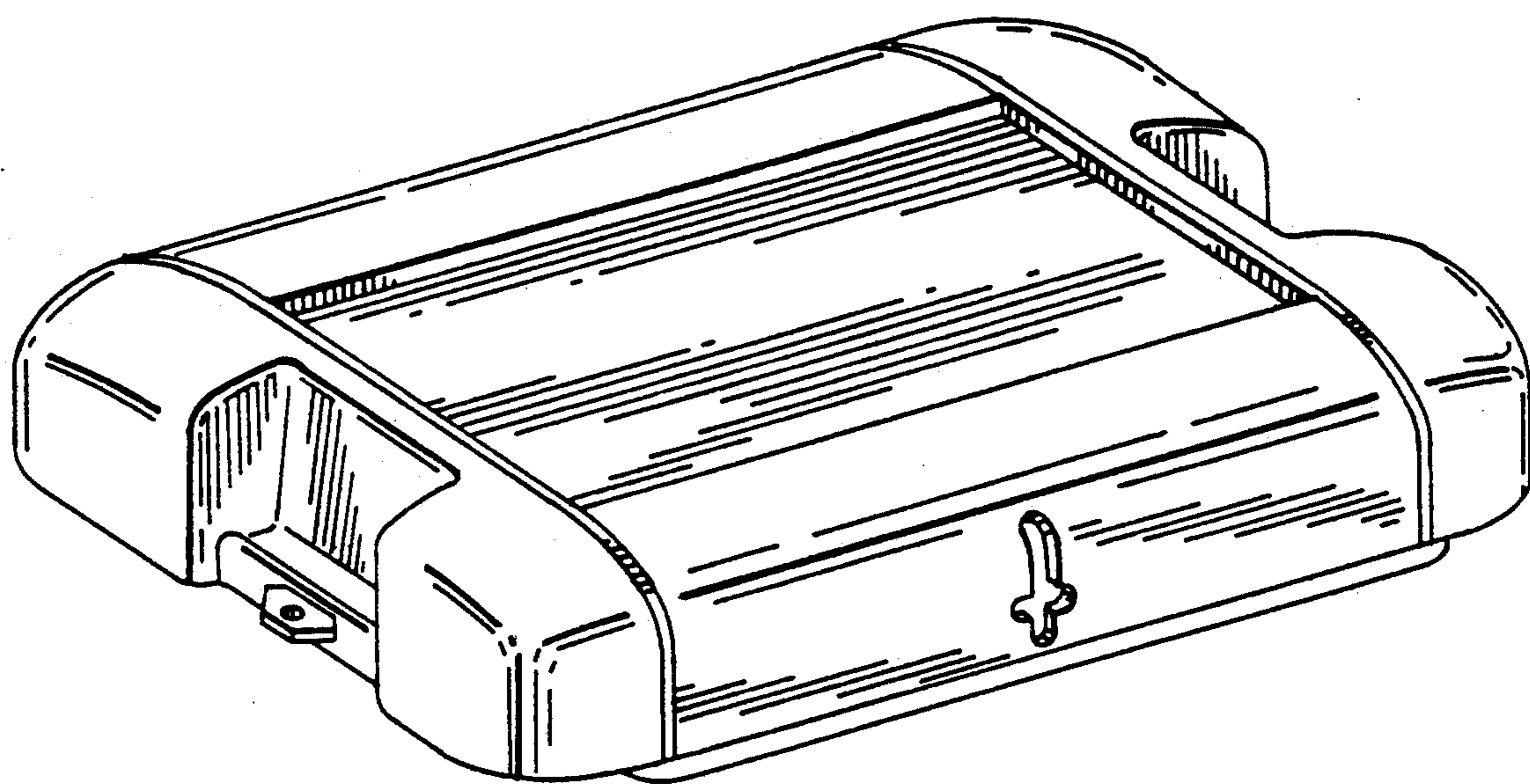


FIG. 8

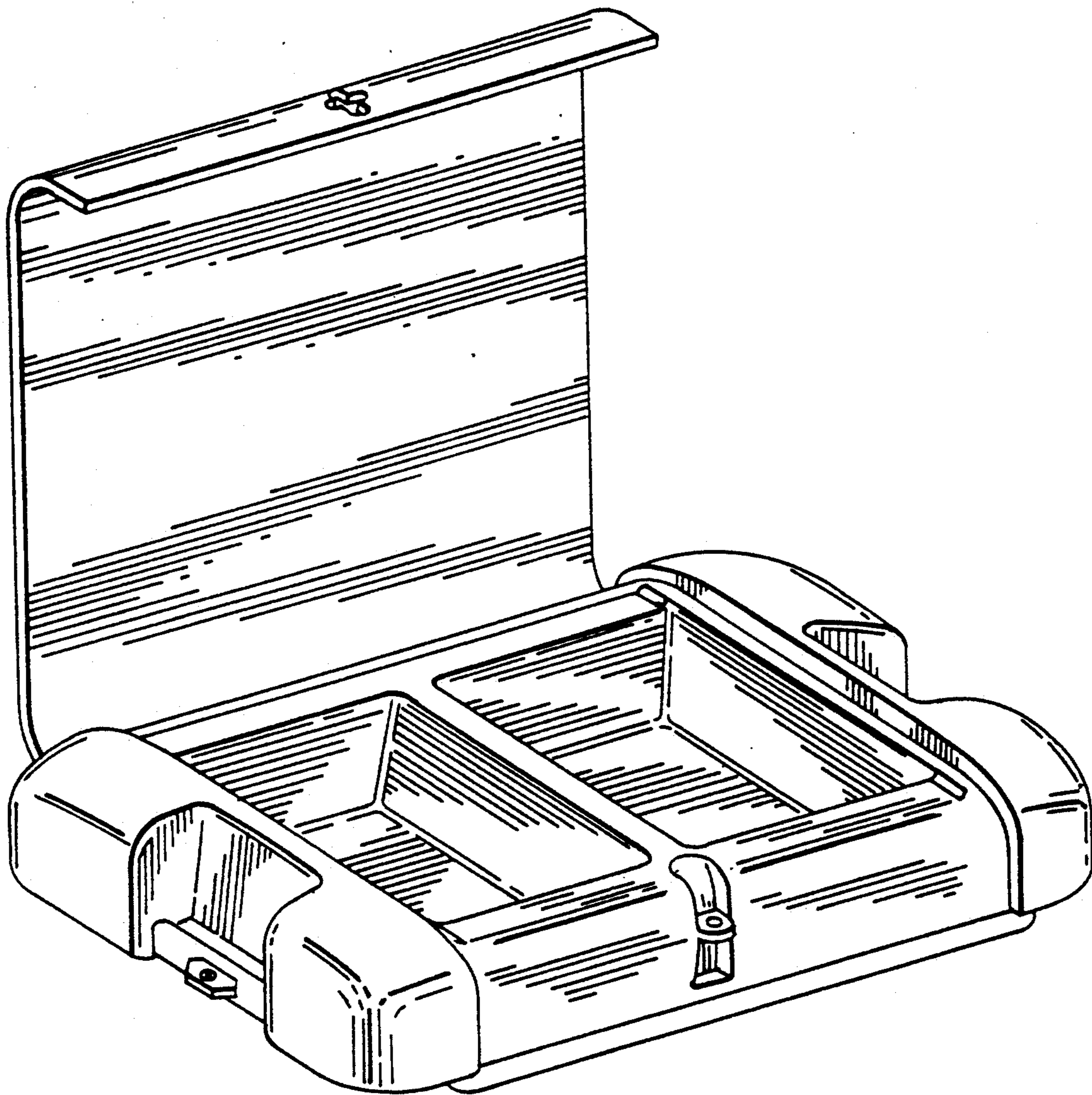


FIG. 9