



US00D339466S

United States Patent [19]

[11] Patent Number: **Des. 339,466**

Kayano

[45] Date of Patent: **** Sep. 21, 1993**

[54] **HEEL SOLE**

[56] **References Cited**

[75] Inventor: **Toshikazu Kayano, Kobe, Japan**

U.S. PATENT DOCUMENTS

D. 308,748 6/1990 Arai D2/320
D. 326,954 6/1992 Kiyosawa et al. D2/320

[73] Assignee: **Asics Corporation, Hyogo, Japan**

Primary Examiner—Louis S. Zarfes
Attorney, Agent, or Firm—Nixon & Vanderhye

[**] Term: **14 Years**

[57] **CLAIM**

The ornamental design for a heel sole, as shown and described.

[21] Appl. No.: **875,709**

DESCRIPTION

[22] Filed: **Apr. 30, 1992**

FIG. 1 is an illustrative view of a heel sole showing my new design in a position of use. The broken line showing of the shoe in FIG. 1 is for illustrative purposes only and forms no part of the claimed design;
FIG. 2 is a left side elevational view thereof;
FIG. 3 is a front elevational view thereof;
FIG. 4 is a right side elevational view thereof;
FIG. 5 is a rear elevational view thereof;
FIG. 6 is a top plan view thereof;
FIG. 7 is a bottom plan view thereof; and,
FIG. 8 is a perspective view thereof.

[30] **Foreign Application Priority Data**

Nov. 5, 1991 [JP] Japan 3-33514

[52] U.S. Cl. **D2/323**

[58] Field of Search D2/264, 265, 274, 311,
D2/317-323; 36/25 R, 32 R, 34 R, 36 R, 43, 44,
59 R, 59 C, 83, 84, 89, 100-107, 112-114, 132,
136

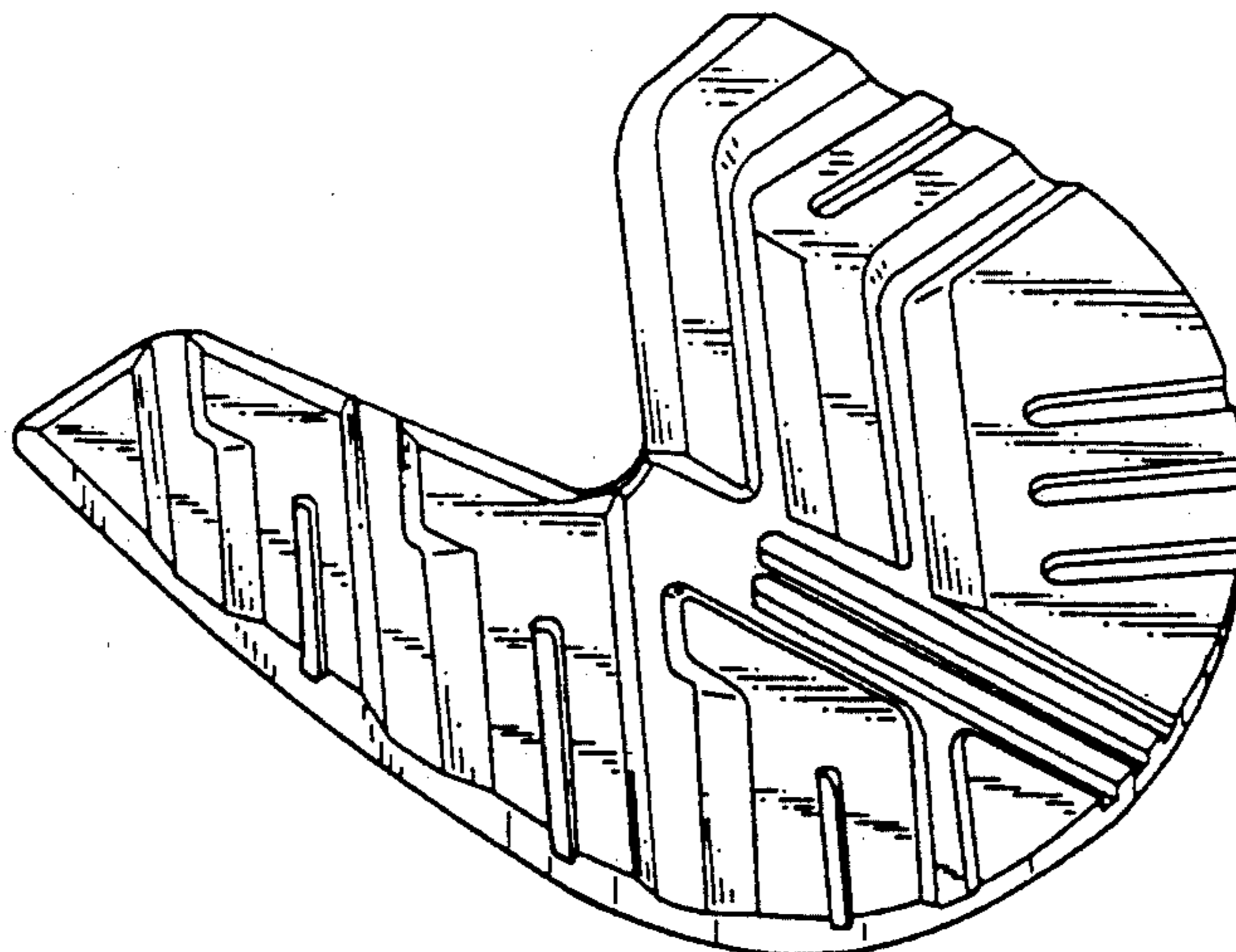


Fig. 1

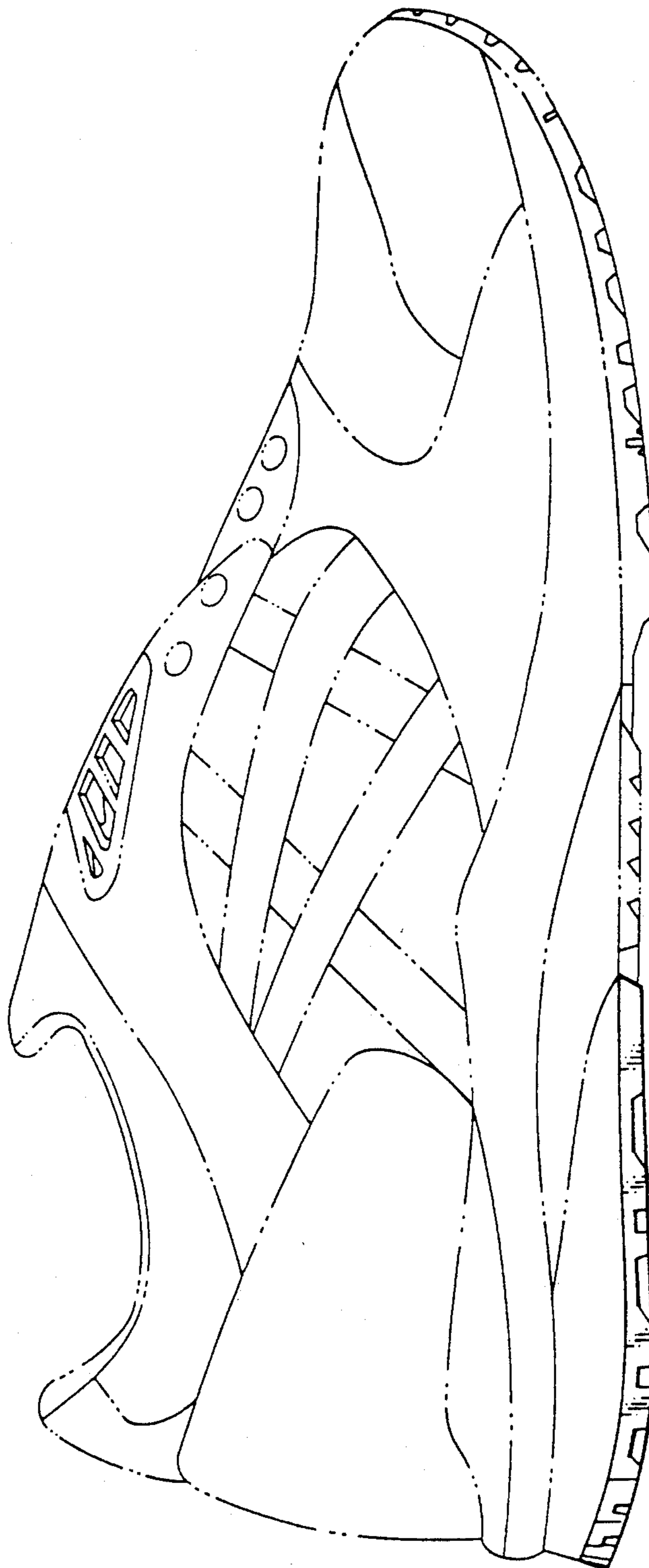


Fig. 2



Fig. 3

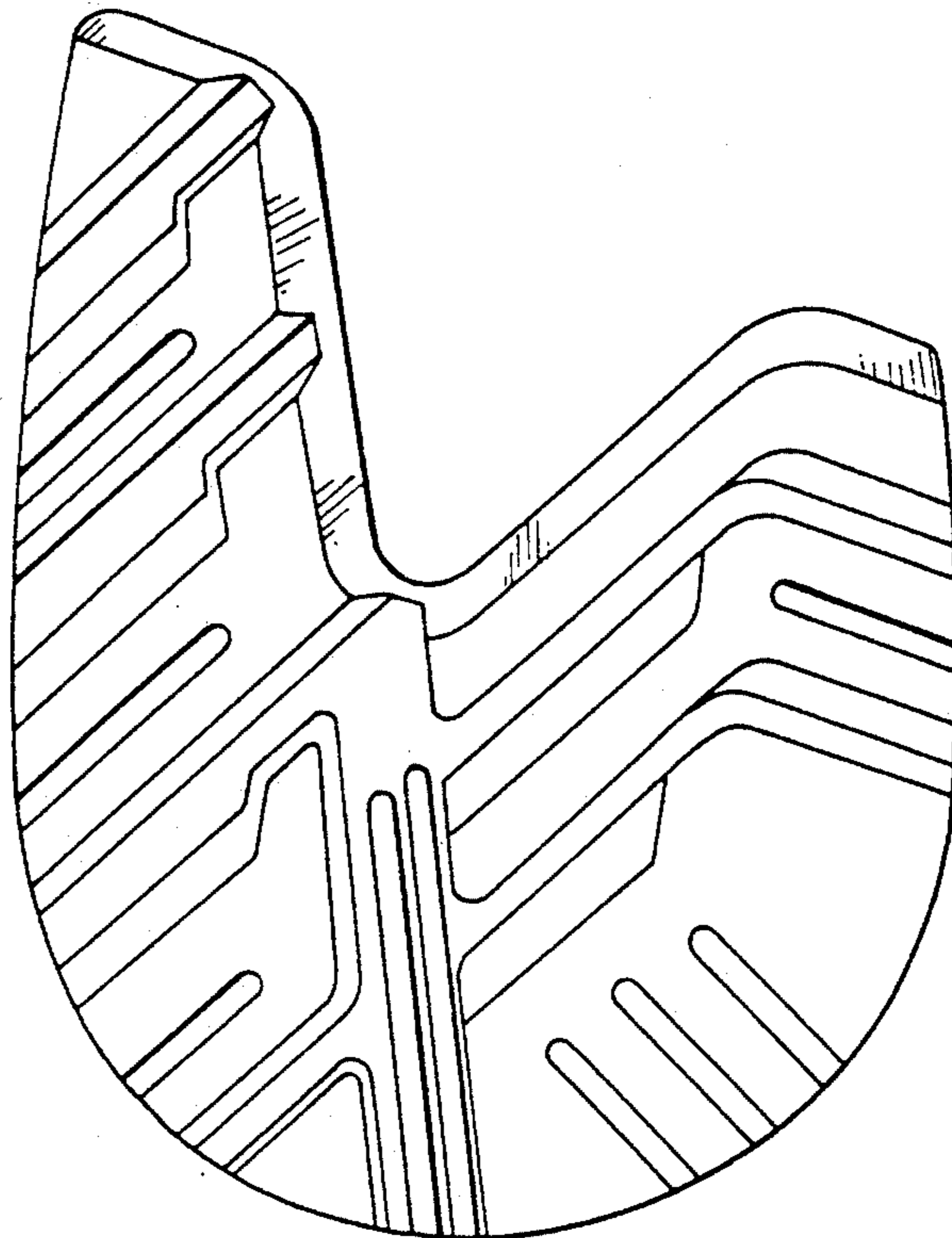


Fig. 4

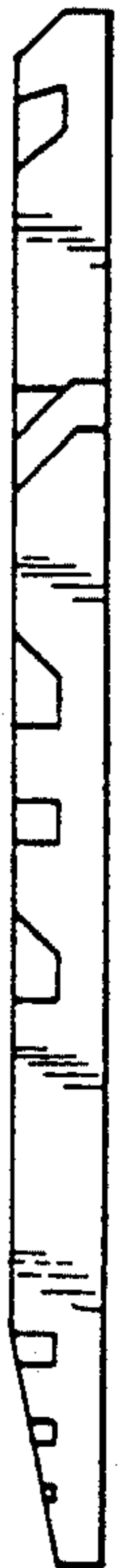


Fig. 5

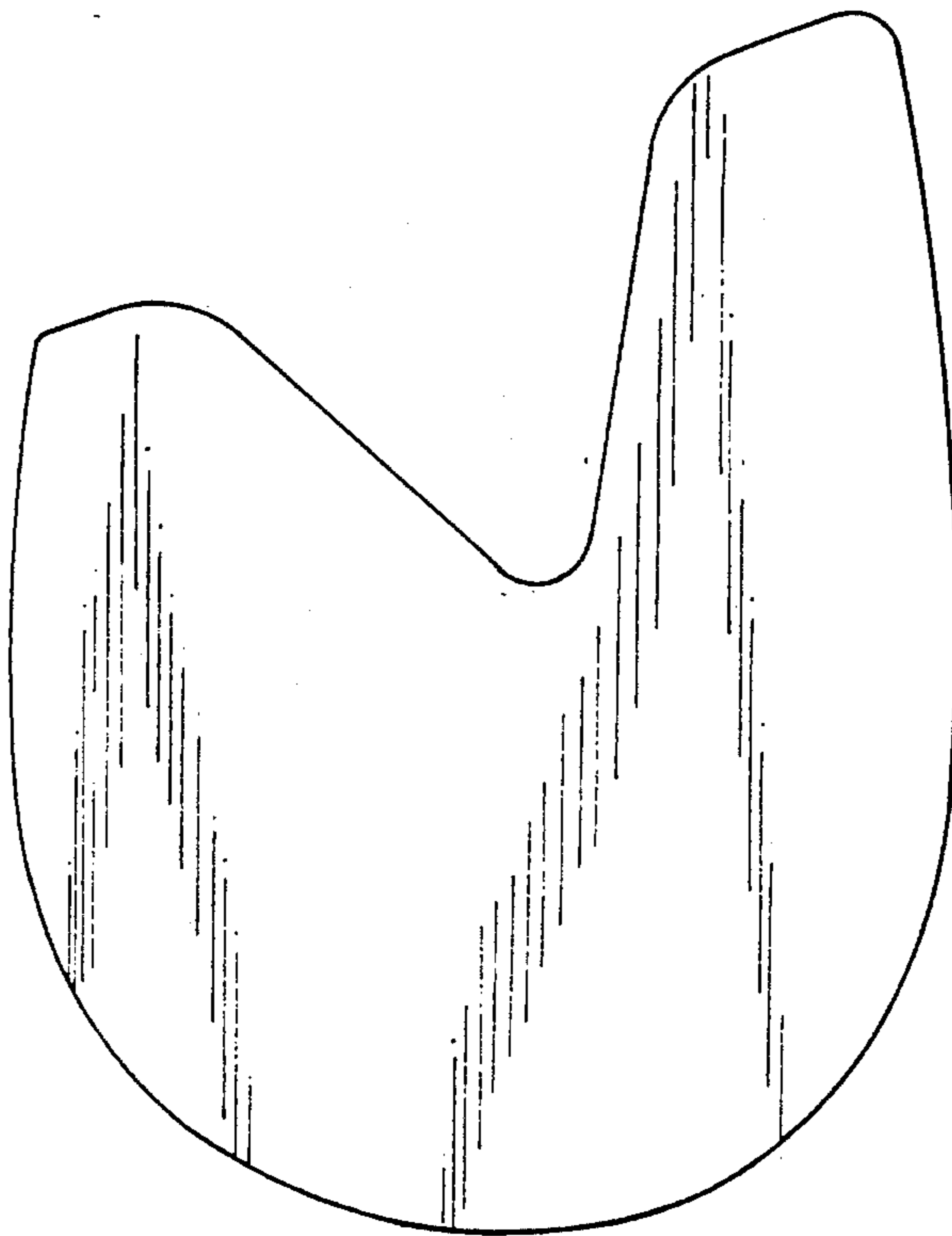


Fig. 6



Fig. 7



Fig. 8

