



US00D339442S

United States Patent [19]
Holtz

[11] **Patent Number: Des. 339,442**
[45] **Date of Patent: ** Sep. 14, 1993**

[54] **LUGGAGE CART**

[76] **Inventor: Gilbert J. Holtz, 182 Tibbetts Rd.,
Yonkers, N.Y. 10705**

[**] **Term: 14 Years**

[21] **Appl. No.: 816,044**

[22] **Filed: Jan. 2, 1992**

[52] **U.S. Cl. D34/26; D34/24**

[58] **Field of Search D34/12, 26, 24;
280/655, 654, 47.24, 47.26, 653**

[56] **References Cited**

U.S. PATENT DOCUMENTS

D. 250,326	11/1978	Blatzer et al.	D34/26
D. 262,277	12/1981	Haft	D34/26
4,784,405	11/1988	Stein	280/655
5,026,089	6/1991	Grimmonpre	280/655

FOREIGN PATENT DOCUMENTS

1568268 5/1980 United Kingdom 280/655

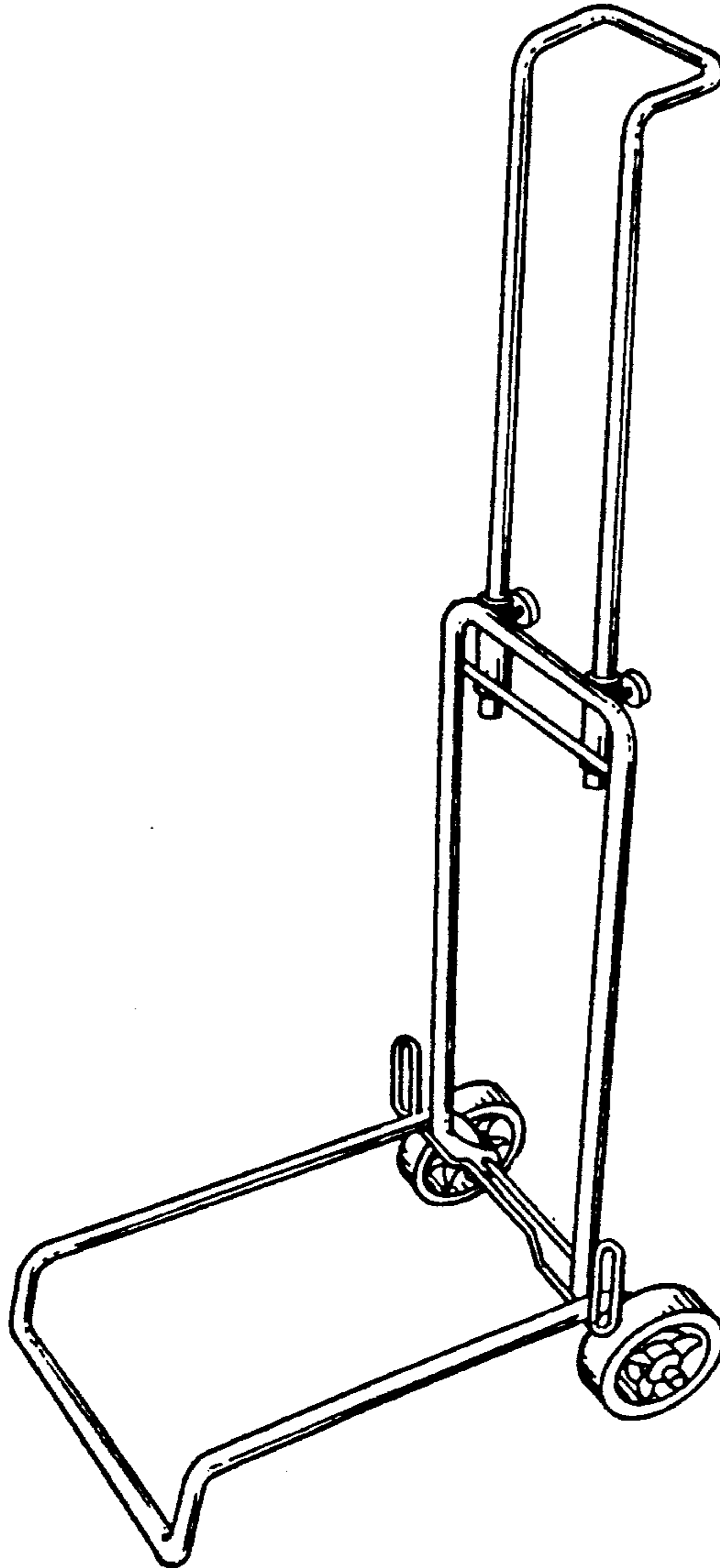
Primary Examiner—Kay H. Chin

[57] **CLAIM**

The ornamental design for luggage cart, as shown and described.

DESCRIPTION

FIG. 1 is a perspective view of luggage cart, showing my new design;
FIG. 2 is a left side elevational view thereof;
FIG. 3 is a rear view thereof;
FIG. 4 is a bottom view thereof;
FIG. 5 is a top view thereof;
FIG. 6 is a right side elevational view thereof; and,
FIG. 7 is a front view thereof.



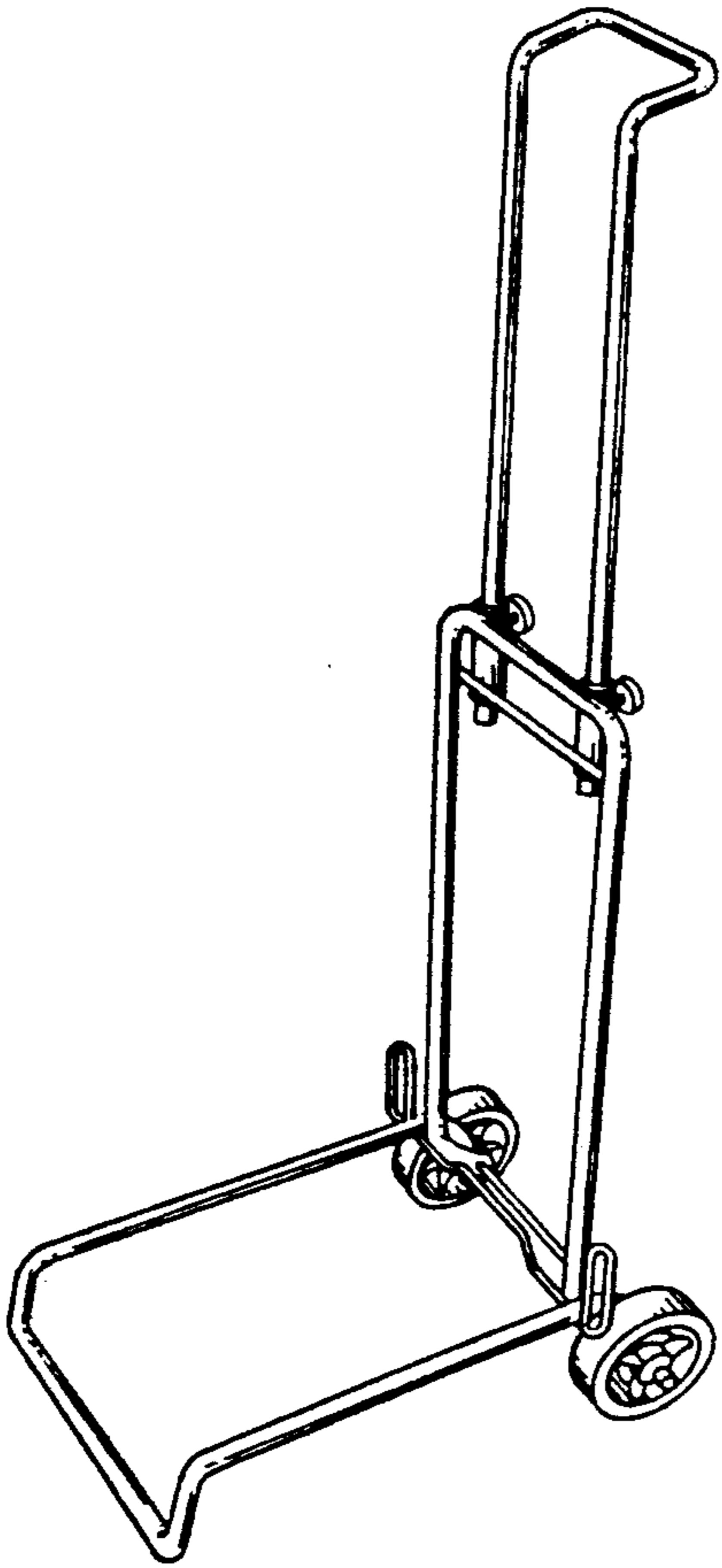


Fig. 1

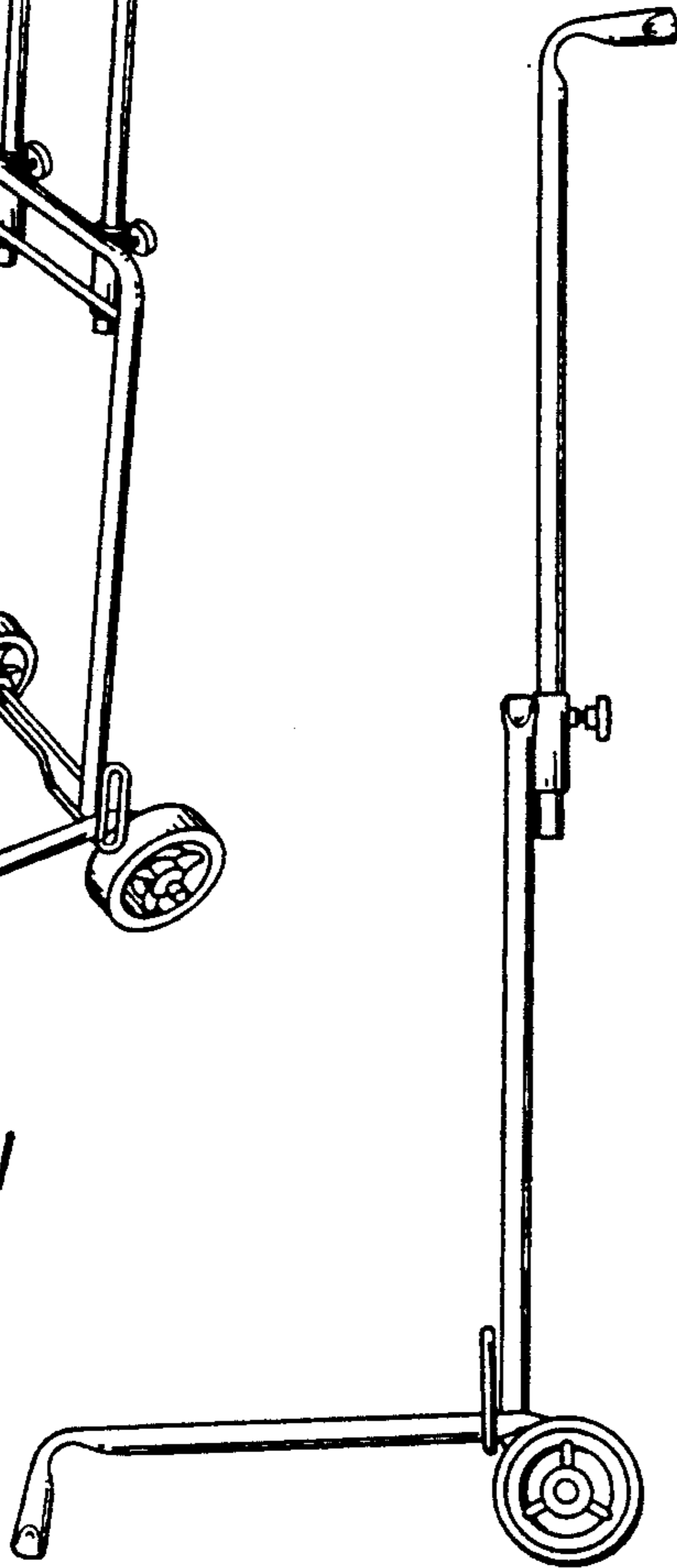


Fig. 2

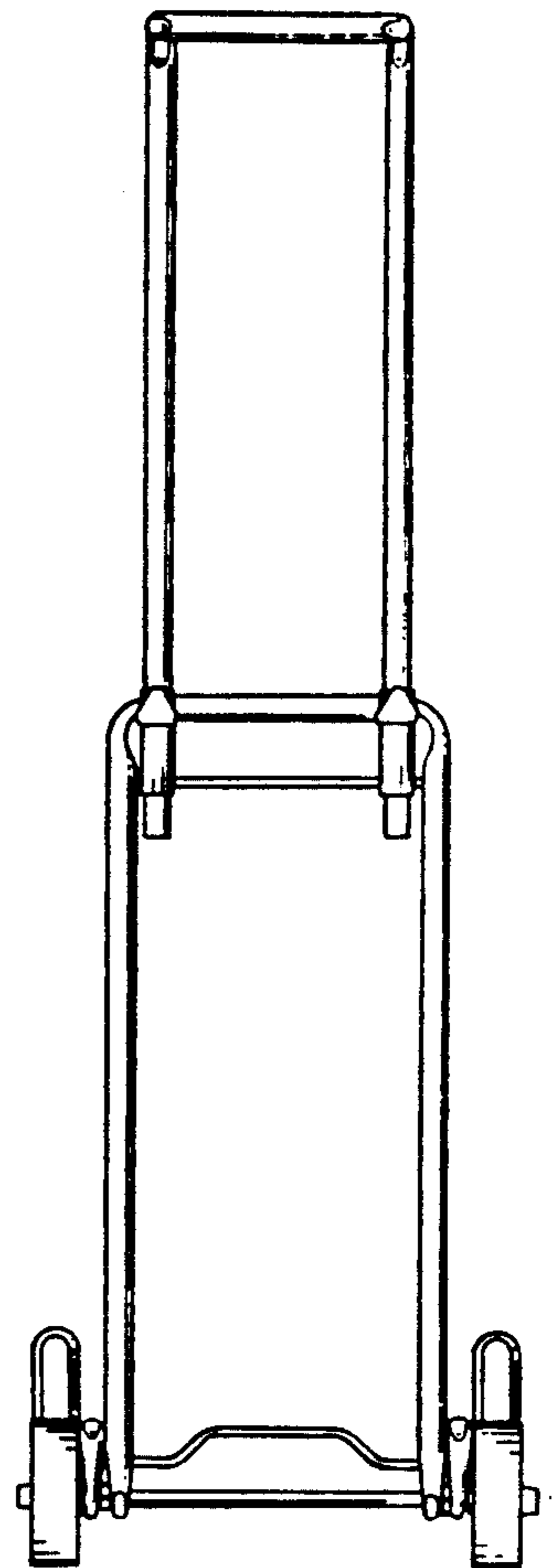


Fig. 3

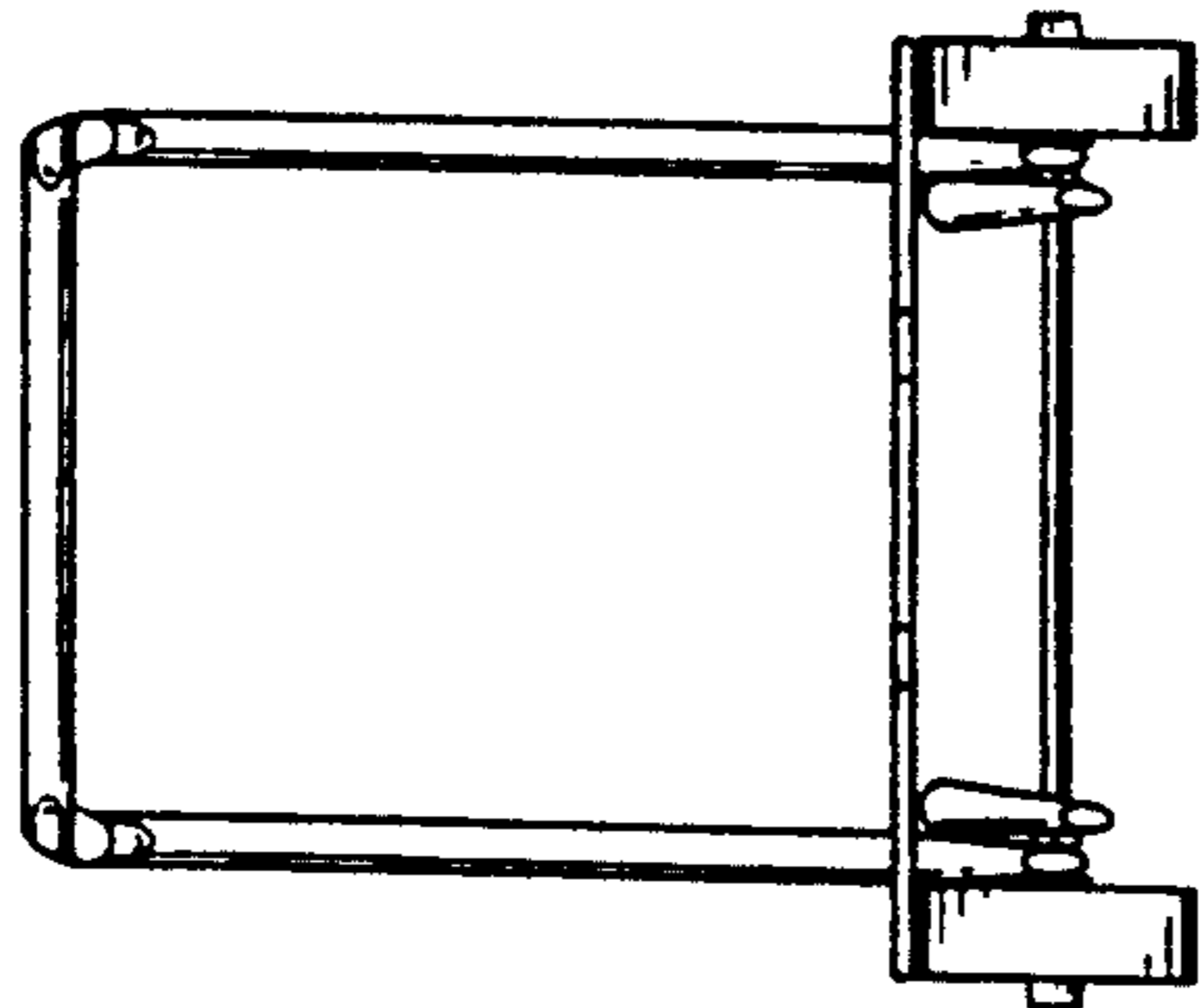


Fig. 4

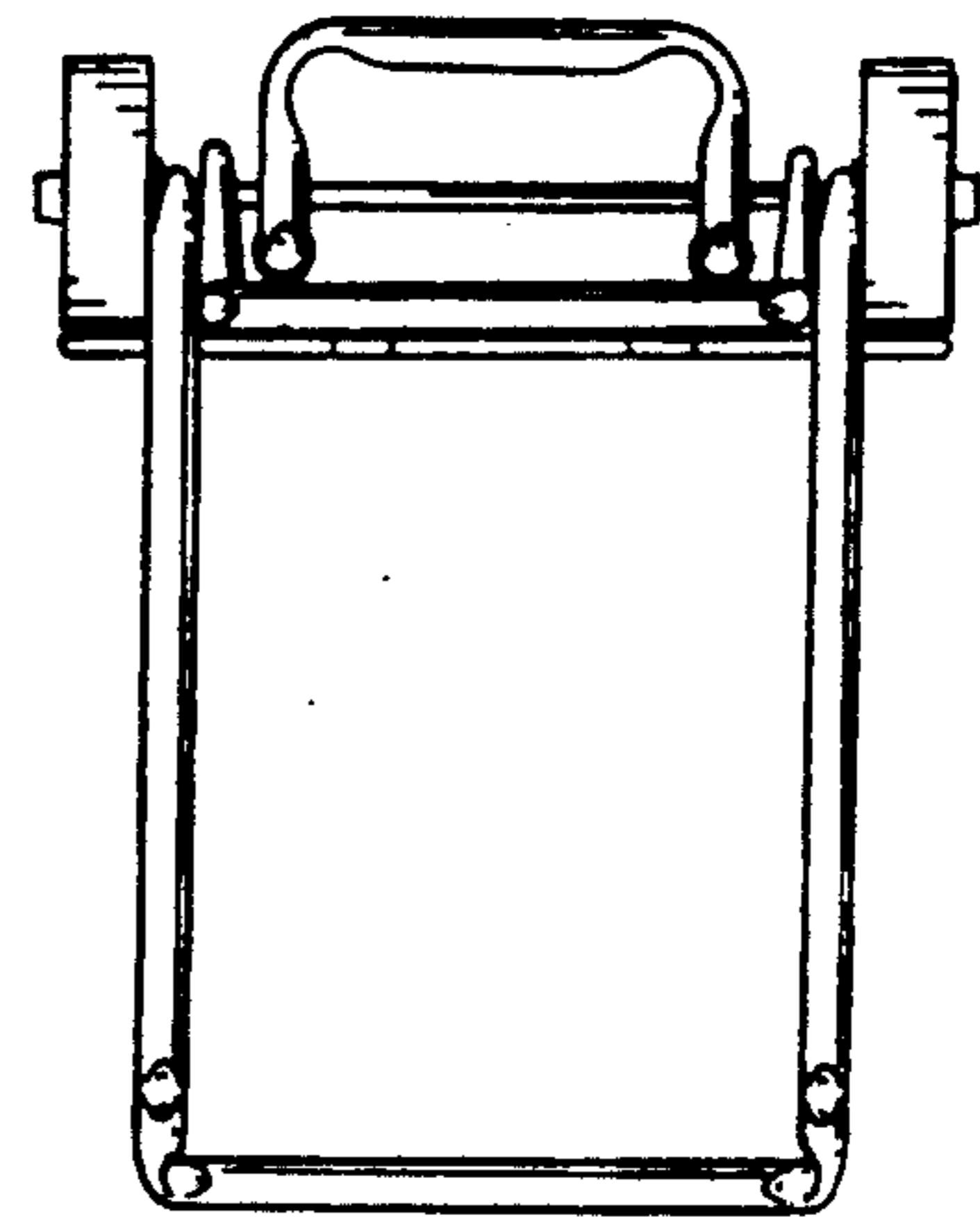


Fig. 5

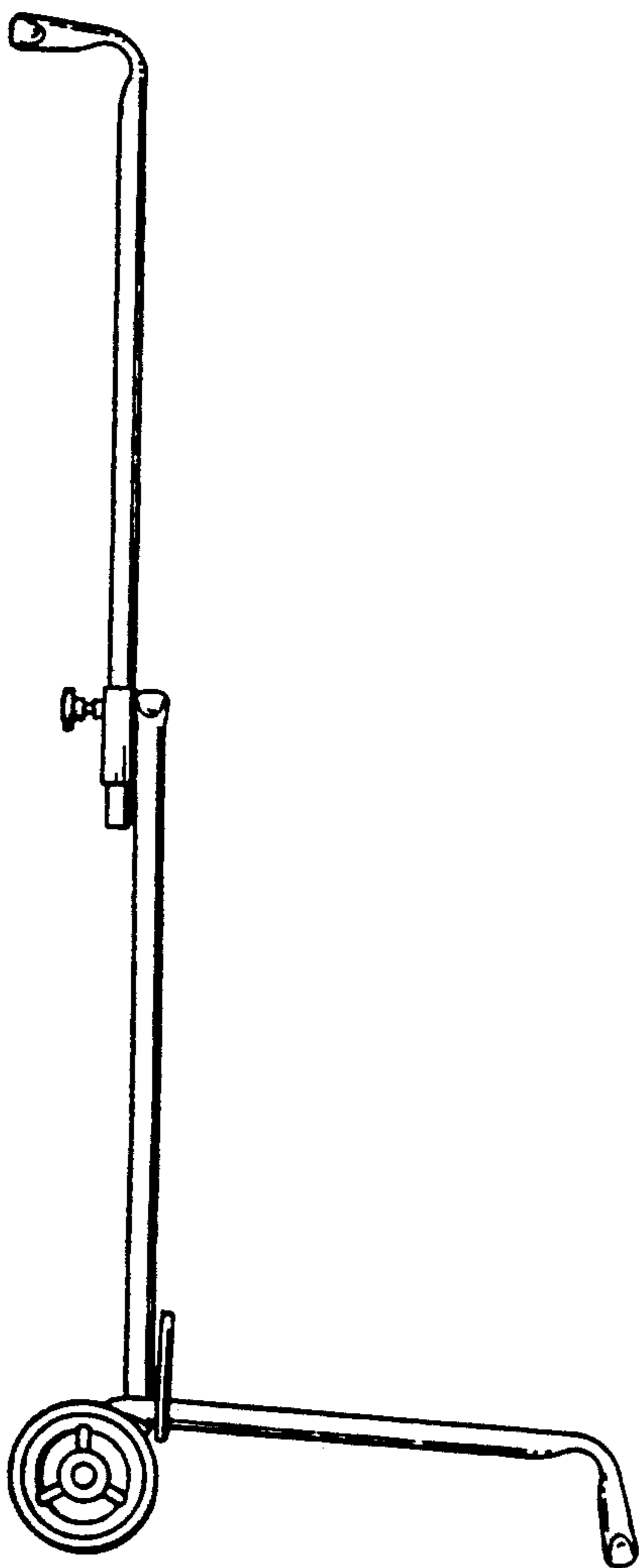


Fig. 6

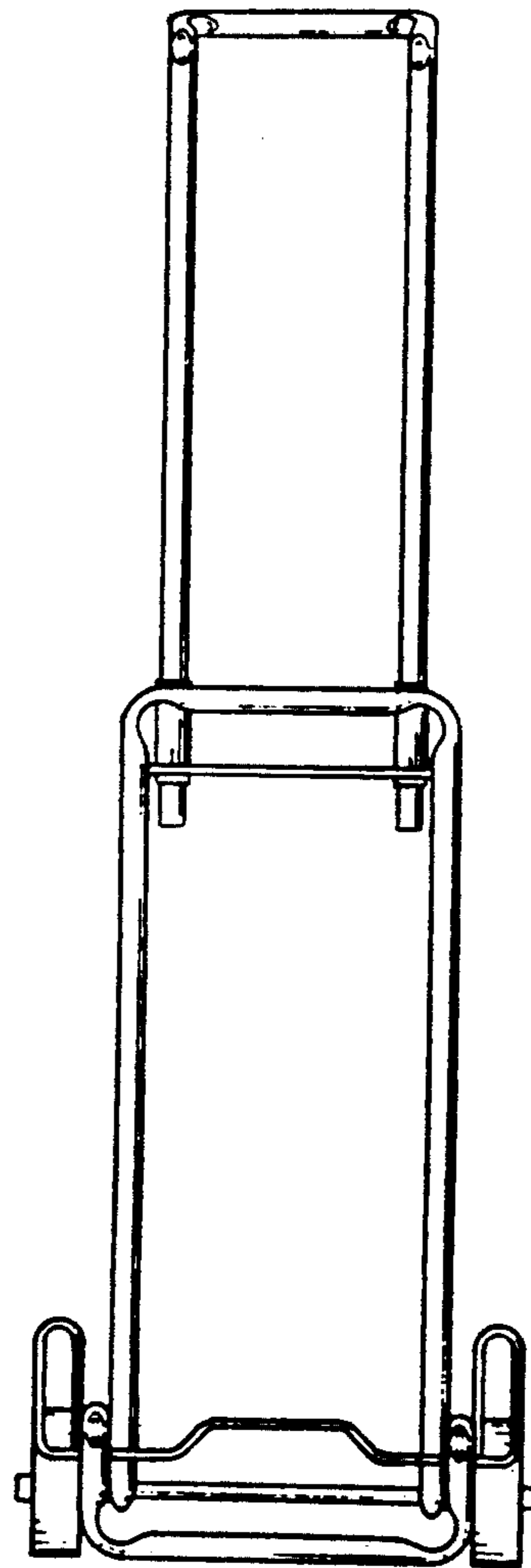


Fig. 7