



US00D339440S

United States Patent [19] Dick

[11] Patent Number: **Des. 339,440**

[45] Date of Patent: **** Sep. 14, 1993**

- [54] **BEACH CARRIER**
- [76] Inventor: **Ronald E. Dick**, 1308 Vellen St.,
Chesapeake, Va. 23320
- [**] Term: **14 Years**
- [21] Appl. No.: **836,945**
- [22] Filed: **Feb. 19, 1992**
- [52] U.S. Cl. **D34/17; D34/12**
- [58] Field of Search **D34/12, 17, 19, 18,**
D34/24, 25, 26; 280/47.26, 79.11, 79.2, 47.24,
47.19

- 4,796,909 1/1989 Kirkendall .
- 4,863,075 9/1989 Romer .
- 5,040,808 8/1991 McIntyre 280/47.26

Primary Examiner—Kay H. Chin
Attorney, Agent, or Firm—Richard C. Litman

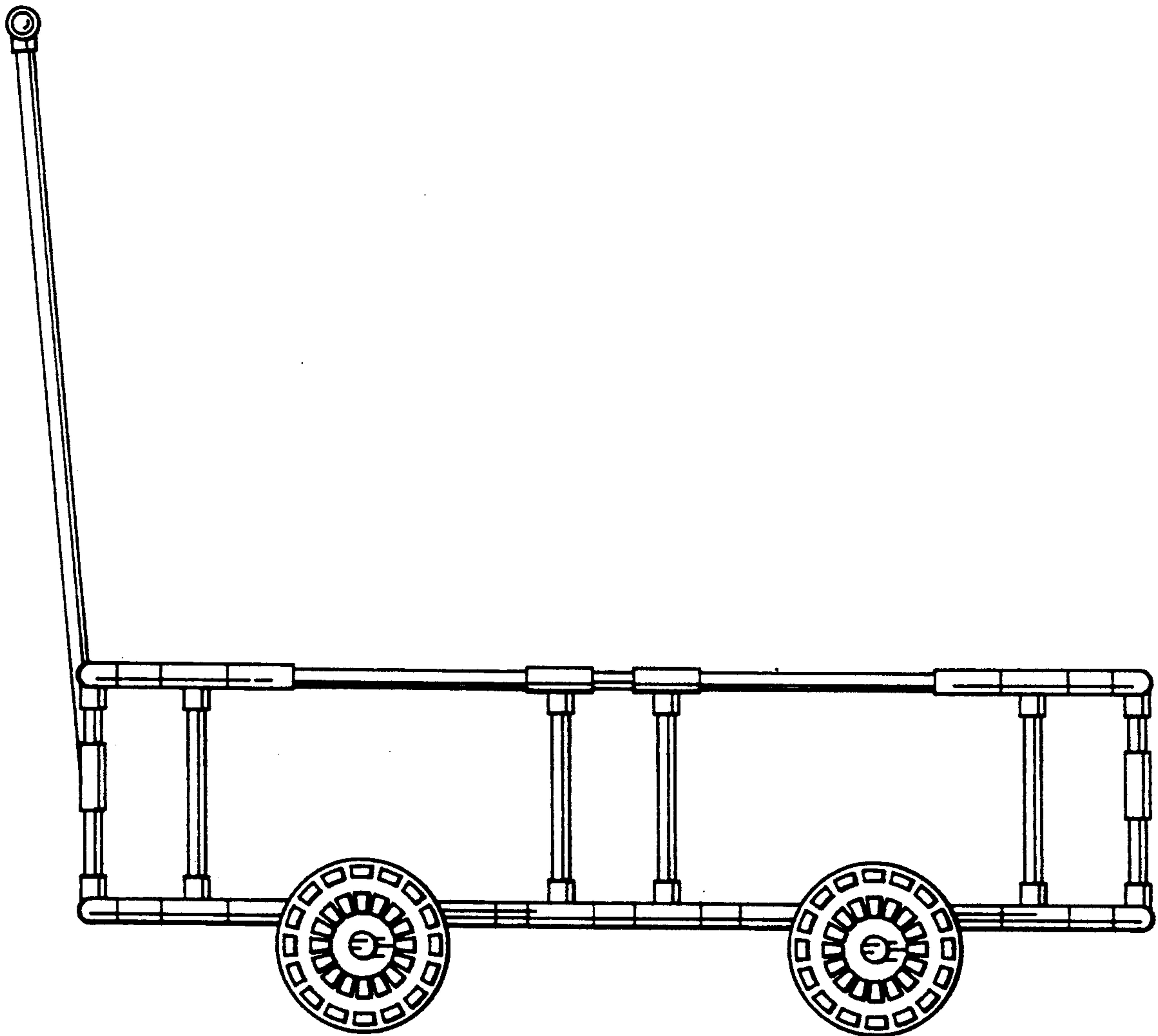
[57] CLAIM

The ornamental design for a beach carrier, as shown and described.

DESCRIPTION

FIG. 1 is a right side elevational view of a beach carrier showing my new design, the left side being a mirror image thereof;
 FIG. 2 is a top plan view thereof;
 FIG. 3 is a bottom plan view thereof;
 FIG. 4 is a rear elevational view thereof;
 FIG. 5 is a front elevational view thereof; and,
 FIG. 6 is a fragmentary view thereof showing an alternative handle, the rest of the structure being identical to that described in FIGS. 1-5.

- [56] **References Cited**
- U.S. PATENT DOCUMENTS**
- D. 295,099 4/1988 Gallagher .
- D. 320,682 10/1991 Braswell D34/19
- 3,677,571 7/1972 Maturo, Jr. et al. .
- 4,114,914 9/1978 Cohen .
- 4,316,615 2/1982 Willette .
- 4,763,907 8/1988 Raymond .



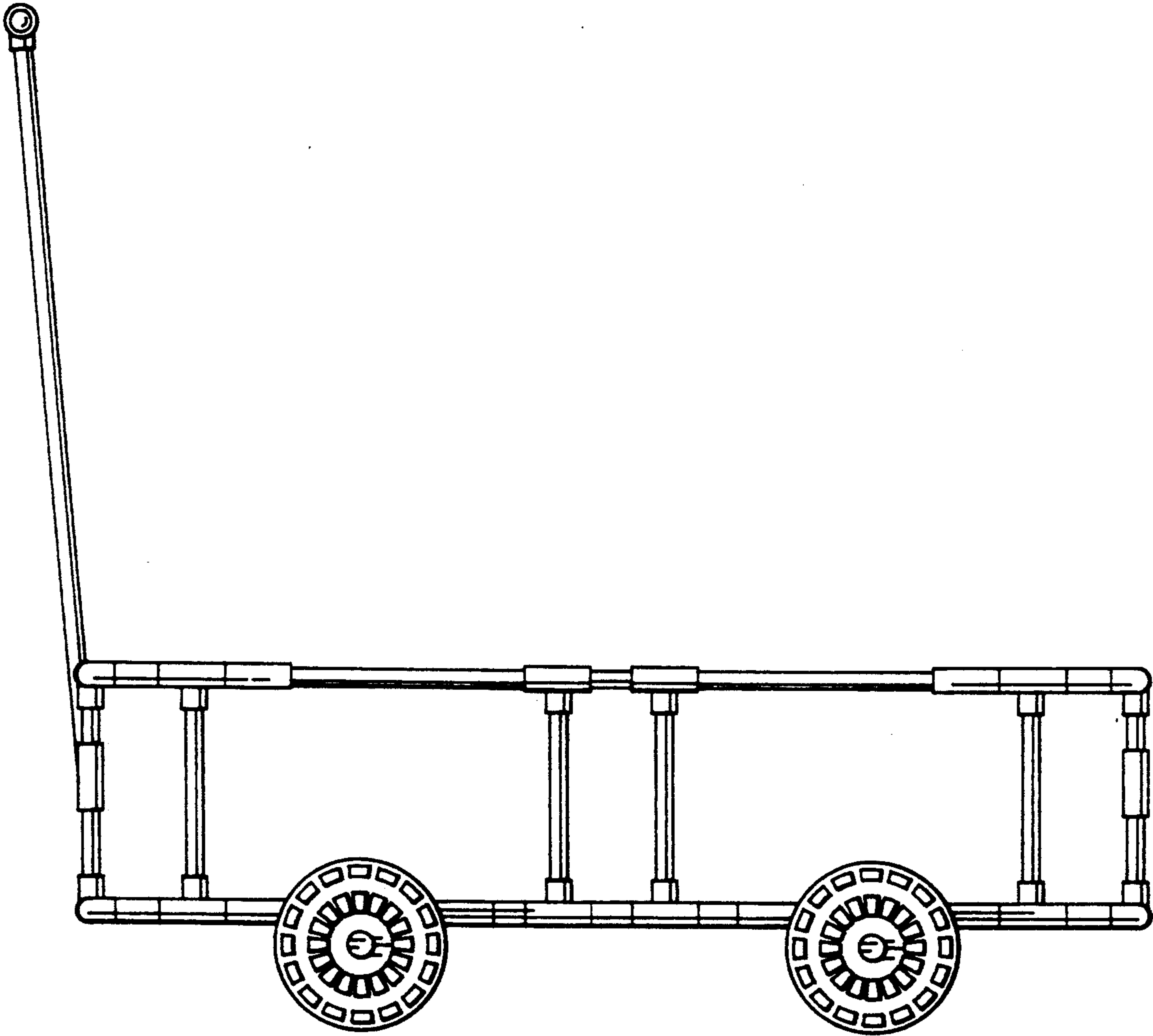
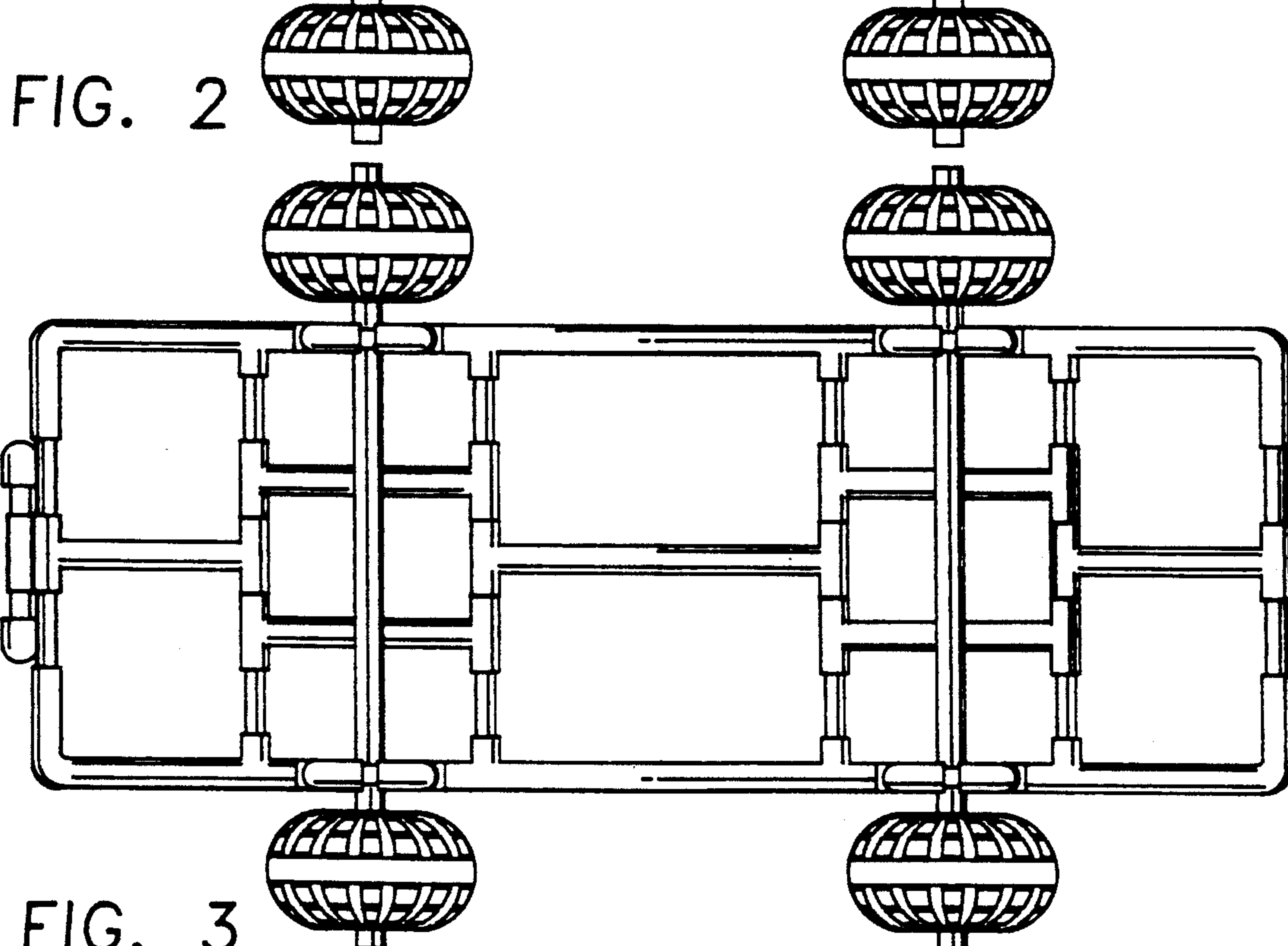
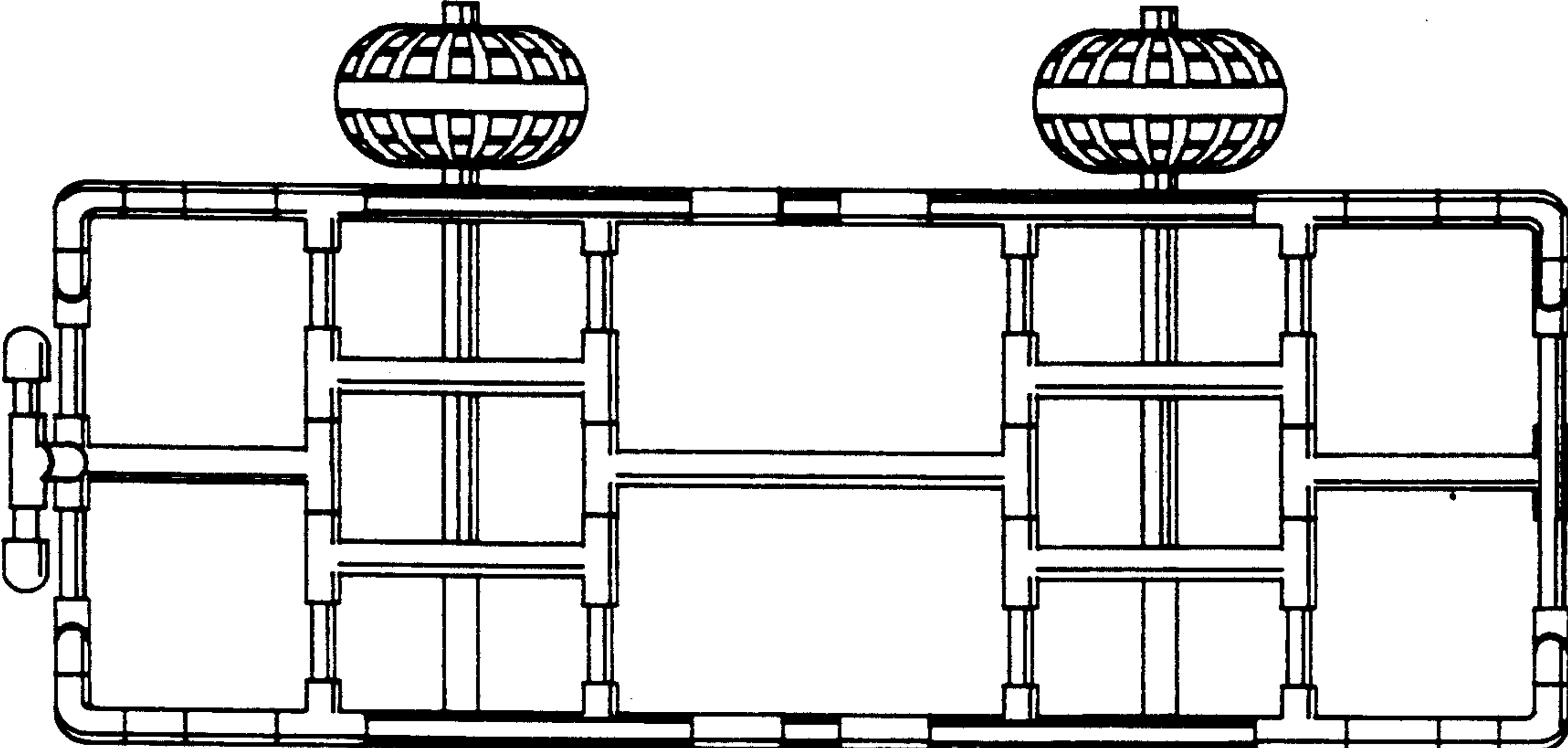
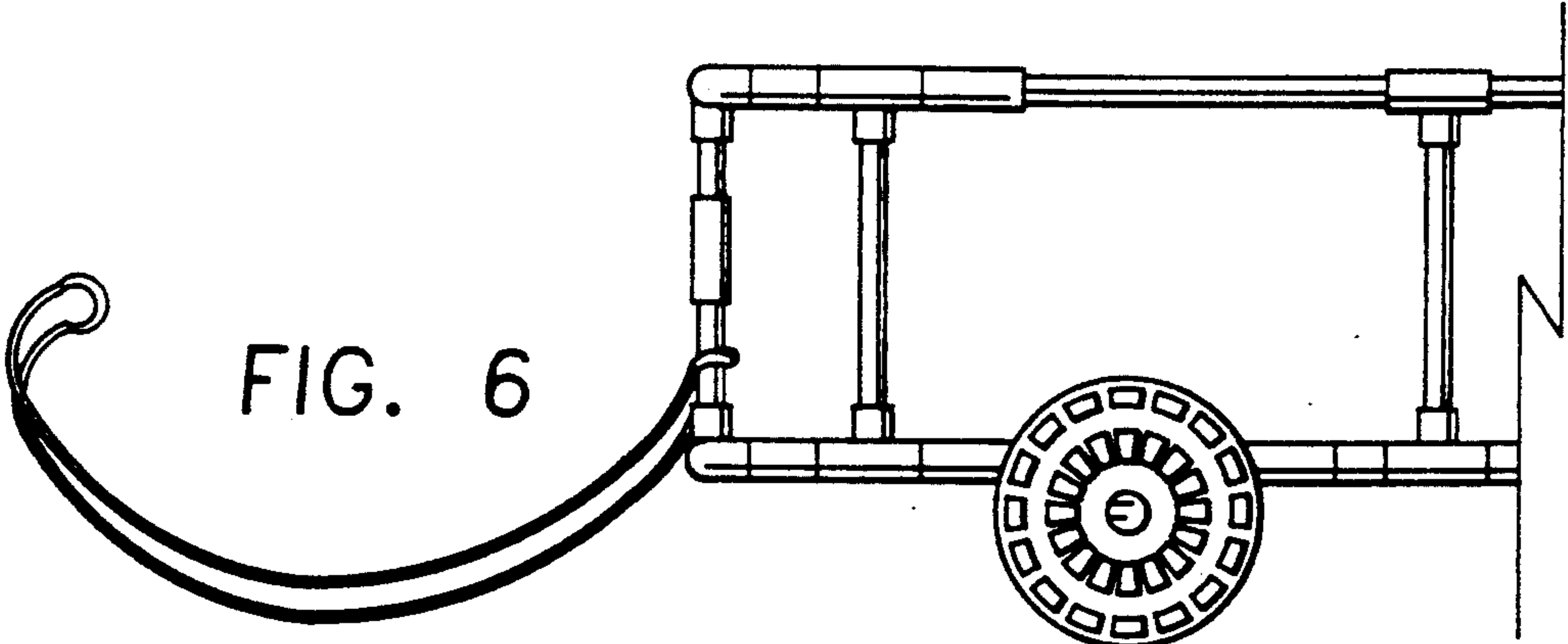


FIG. 1



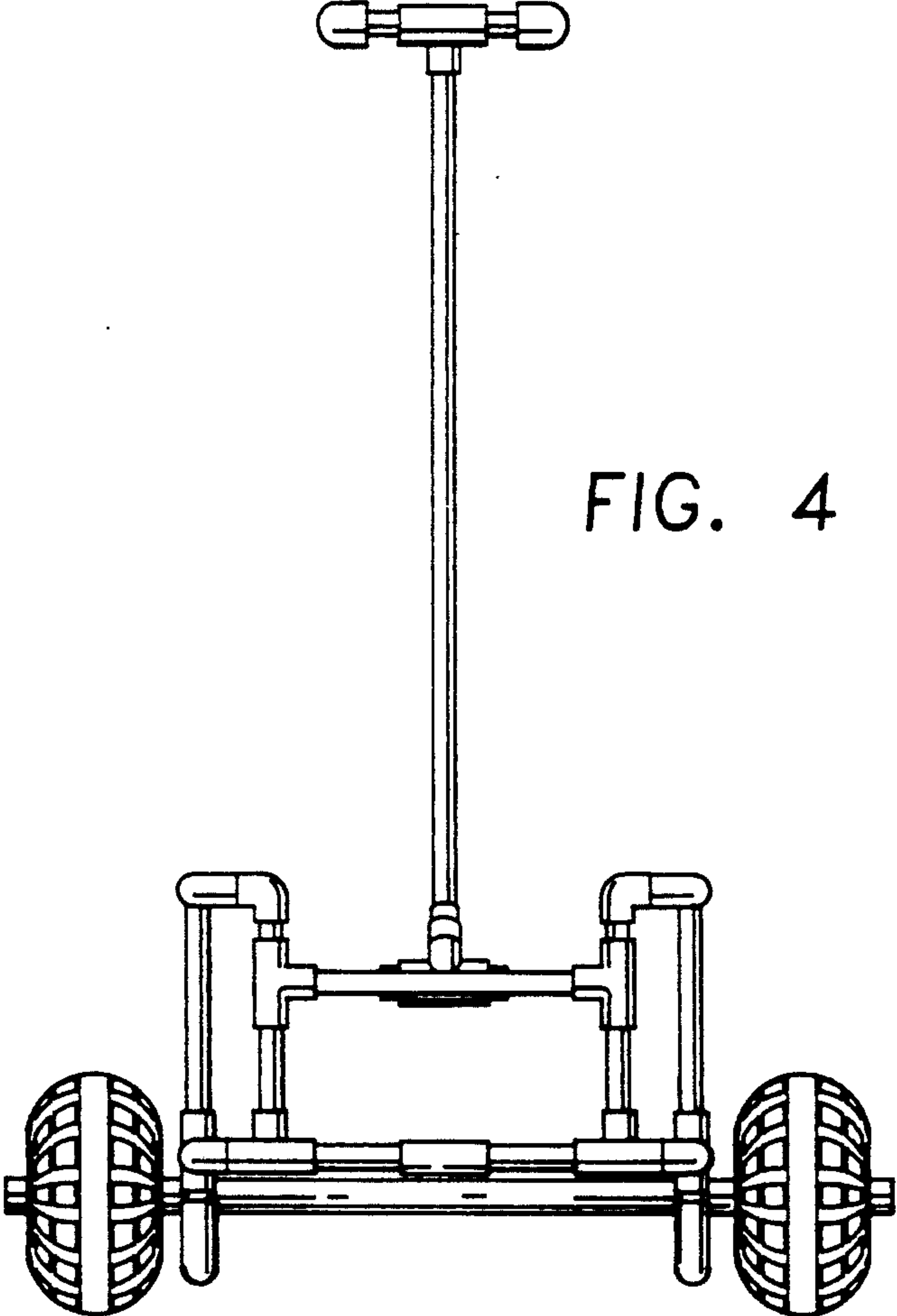


FIG. 4

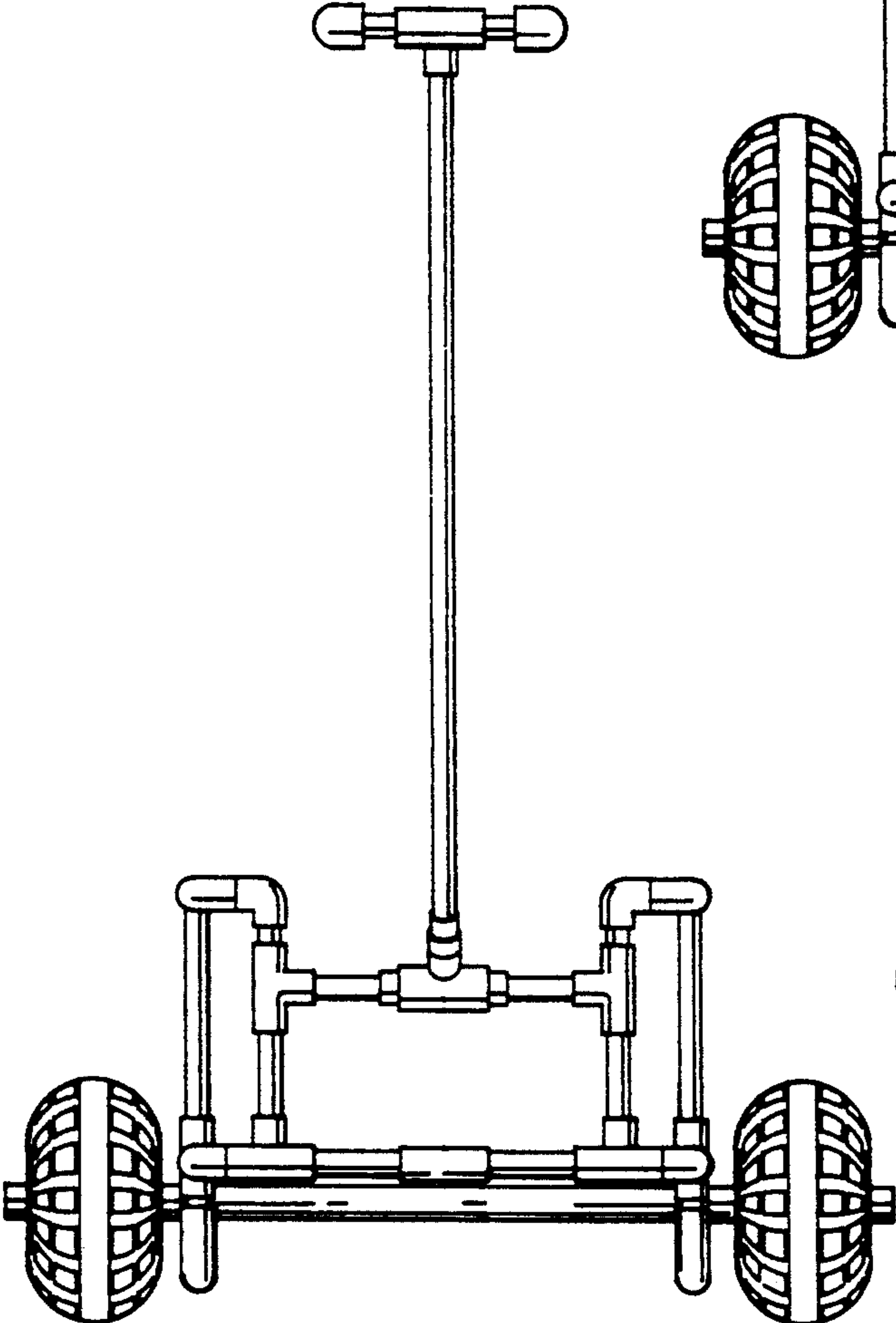


FIG. 5