



US00D339437S

# United States Patent [19]

[11] Patent Number: **Des. 339,437**

Hinderer

[45] Date of Patent: **\*\* Sep. 14, 1993**

[54] DUSTPAN

3,345,670 10/1967 Charie ..... 15/257.1

[76] Inventor: **Richard P. Hinderer**, 223 3rd Ave.  
East, Culbertson, Mont. 59218

*Primary Examiner*—Wallace R. Burke  
*Assistant Examiner*—Lavone D. Tabor  
*Attorney, Agent, or Firm*—Leon Gilden

[\*\*] Term: **14 Years**

[57] **CLAIM**

[21] Appl. No.: **659,050**

The ornamental design for a dustpan, as shown and described.

[22] Filed: **Feb. 22, 1991**

[52] U.S. Cl. .... **D32/74**

**DESCRIPTION**

[58] Field of Search ..... **D7/688-689,**  
**D7/691, 698-699; D32/74; 15/257.1-257.9**

FIG. 1 is a front elevational view of the dustpan showing my new design;

[56] **References Cited**

**U.S. PATENT DOCUMENTS**

- D. 54,891 4/1920 Brule ..... D32/74
- 67,019 7/1867 Brigham ..... 15/257.3
- 360,453 4/1887 Levy et al. .... 15/257.8

FIG. 2 is a rear elevational view thereof;

FIG. 3 is a left side elevational view thereof;

FIG. 4 is a right side elevational view thereof;

FIG. 5 is a top plan view thereof;

FIG. 6 is a bottom plan view thereof; and,

FIG. 7 is a perspective view thereof.

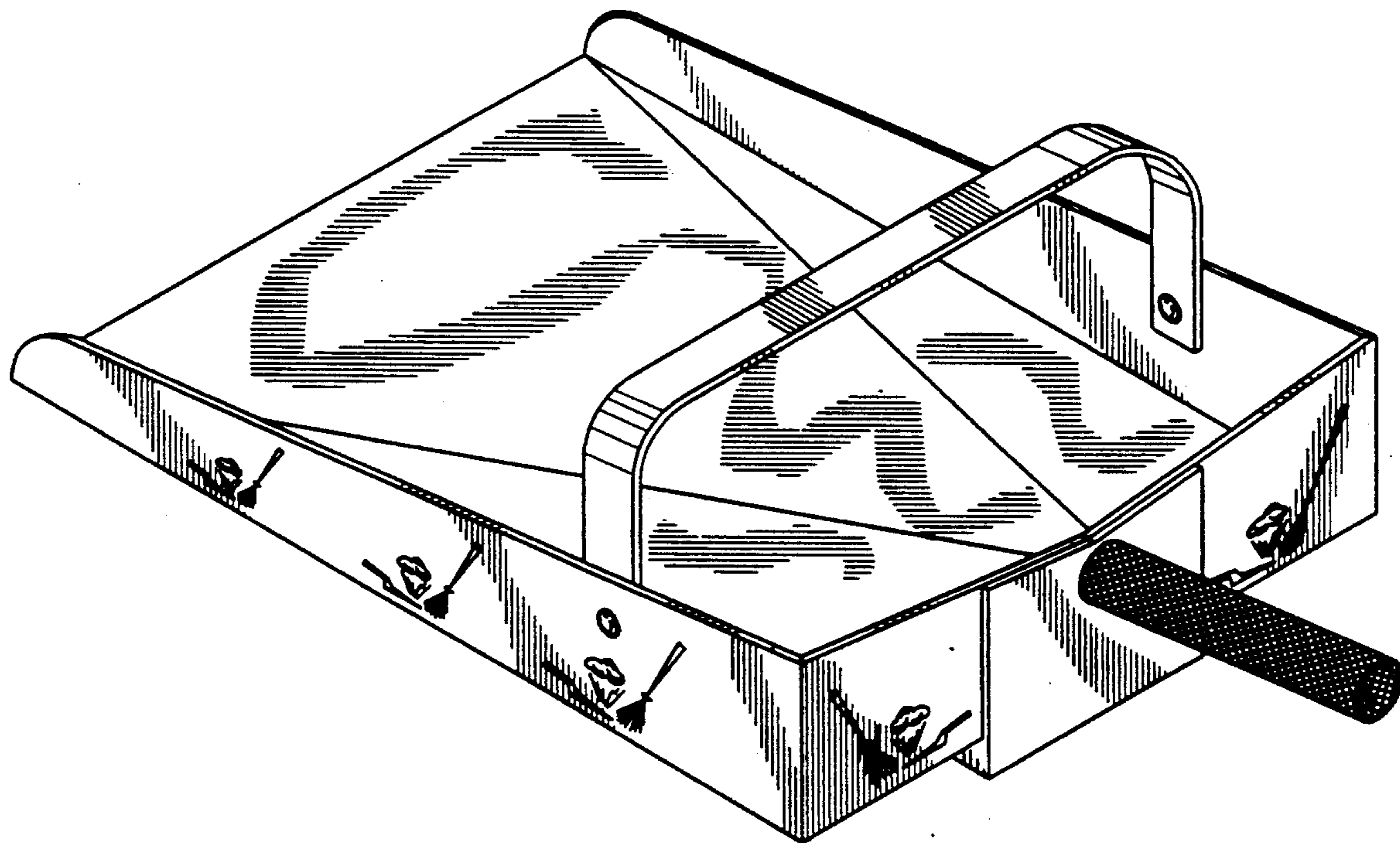


FIG. 1

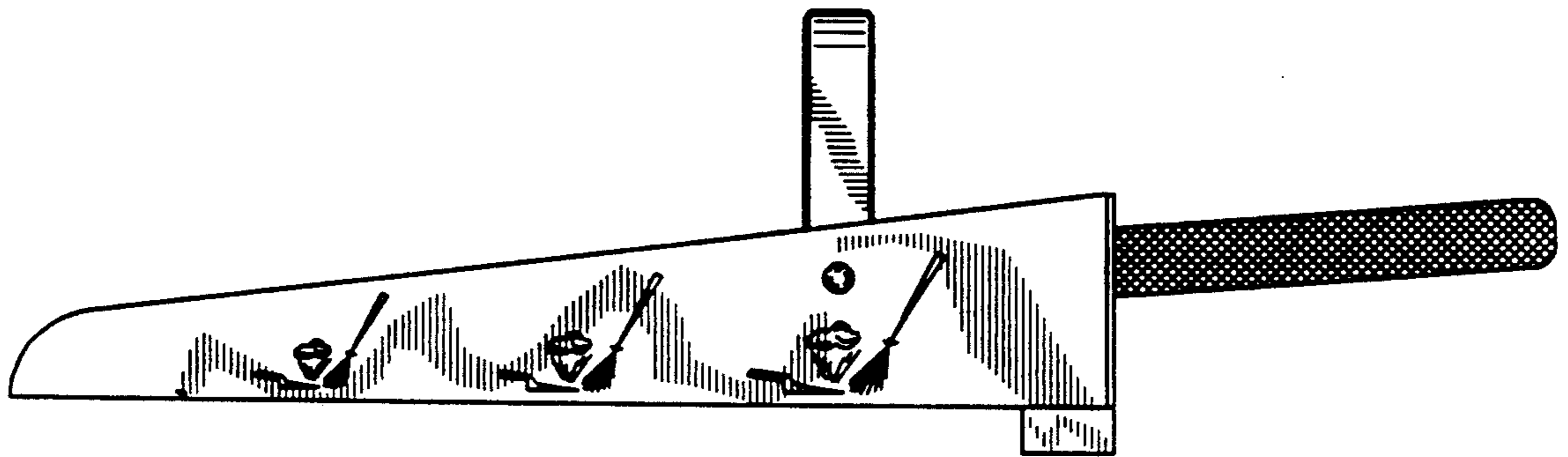


FIG. 2

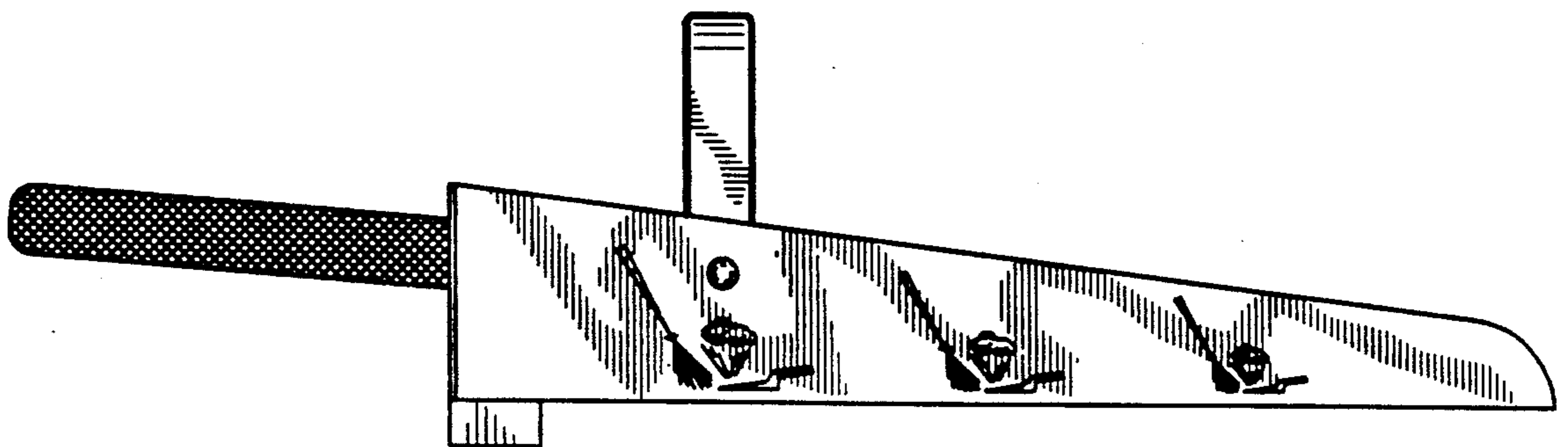


FIG. 3

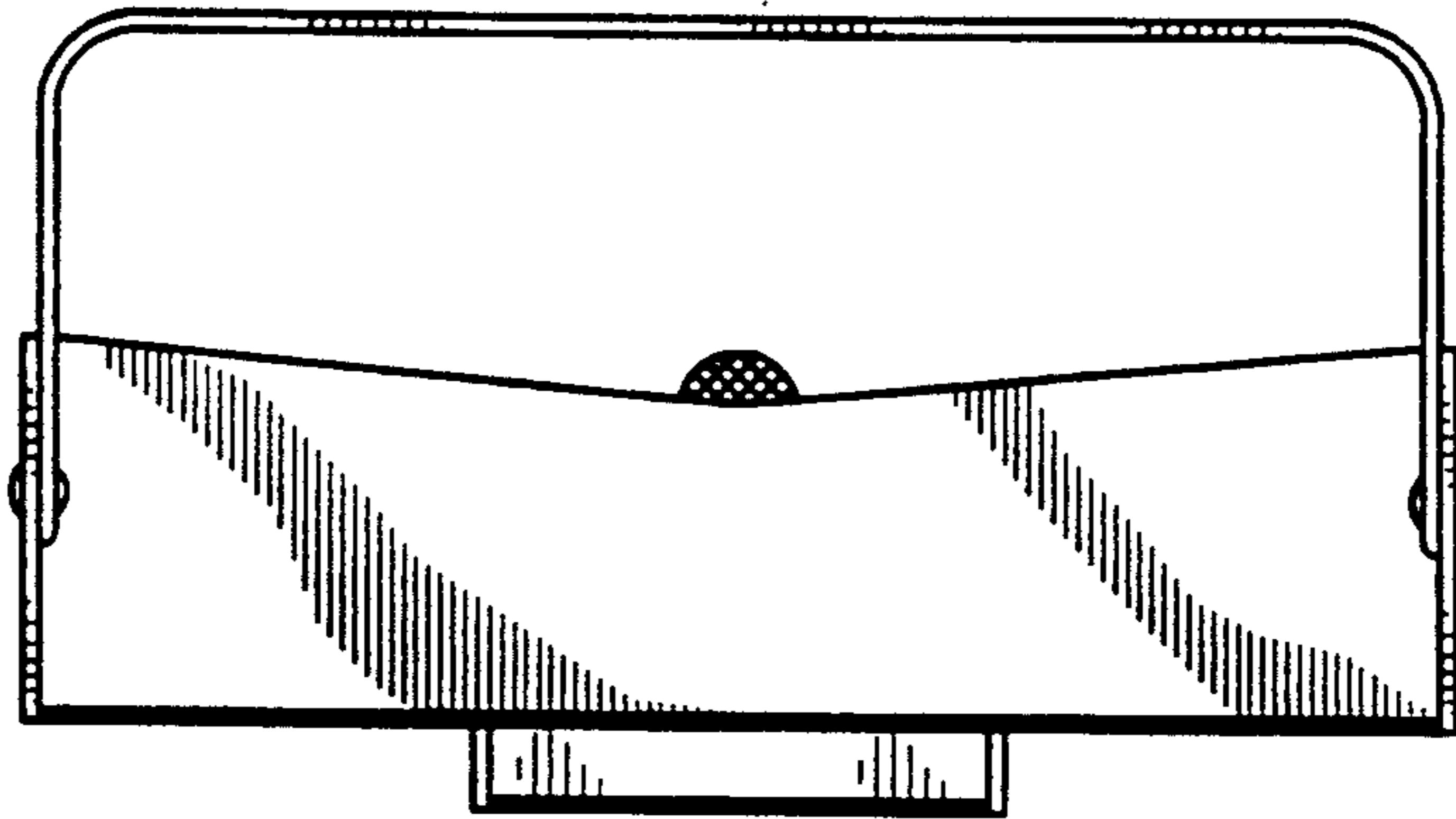


FIG. 4

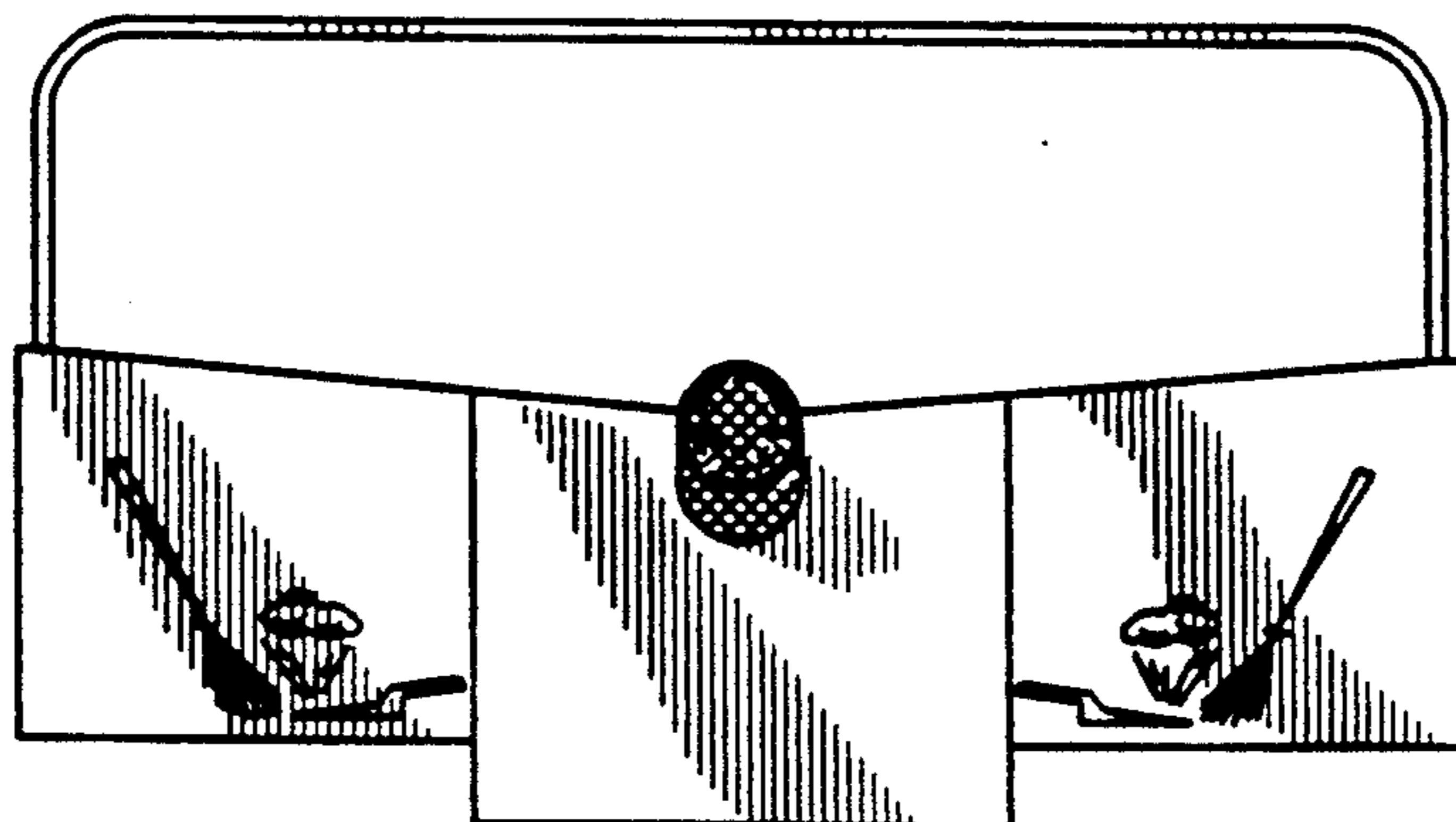


FIG. 5

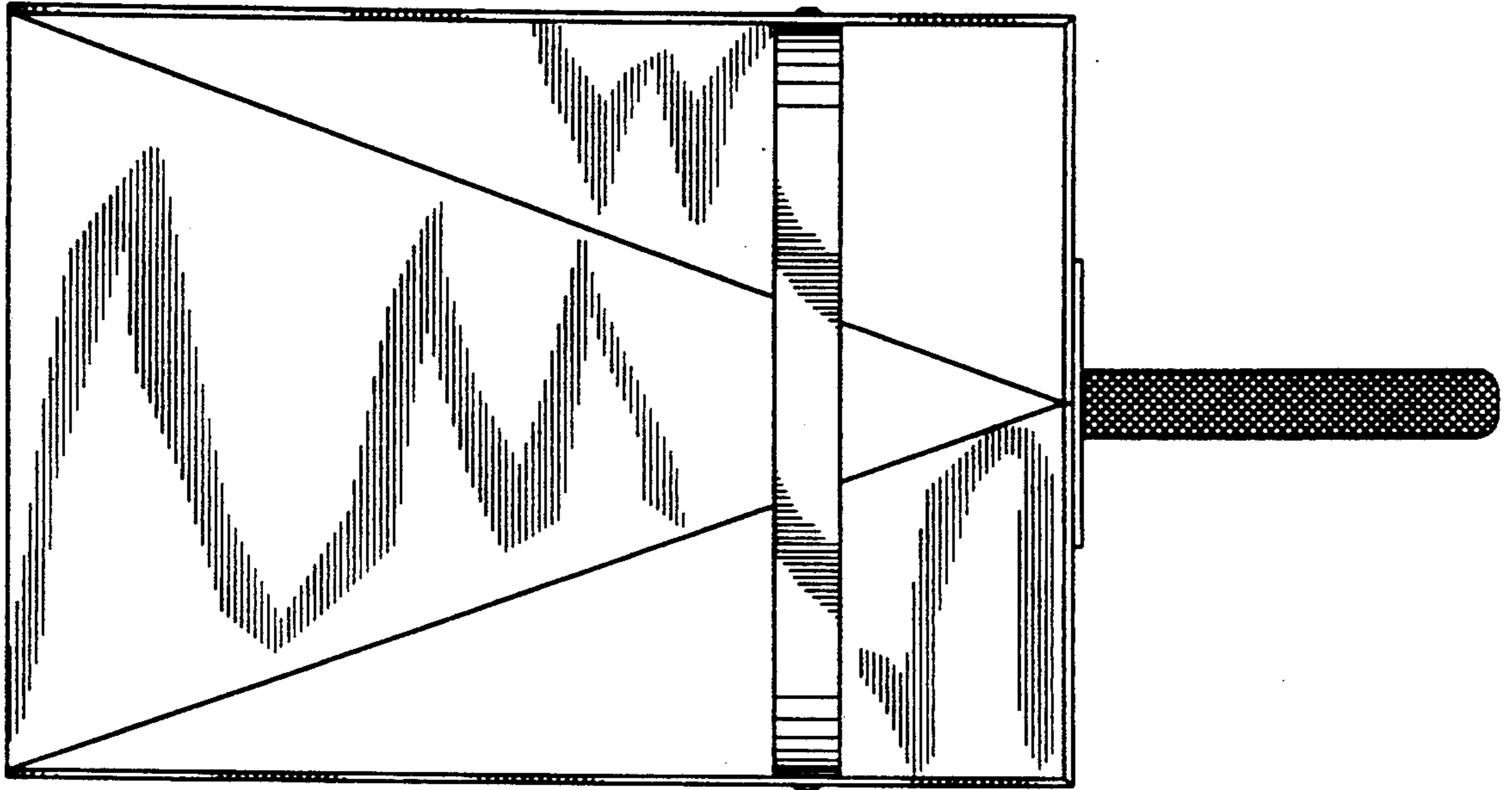


FIG. 6

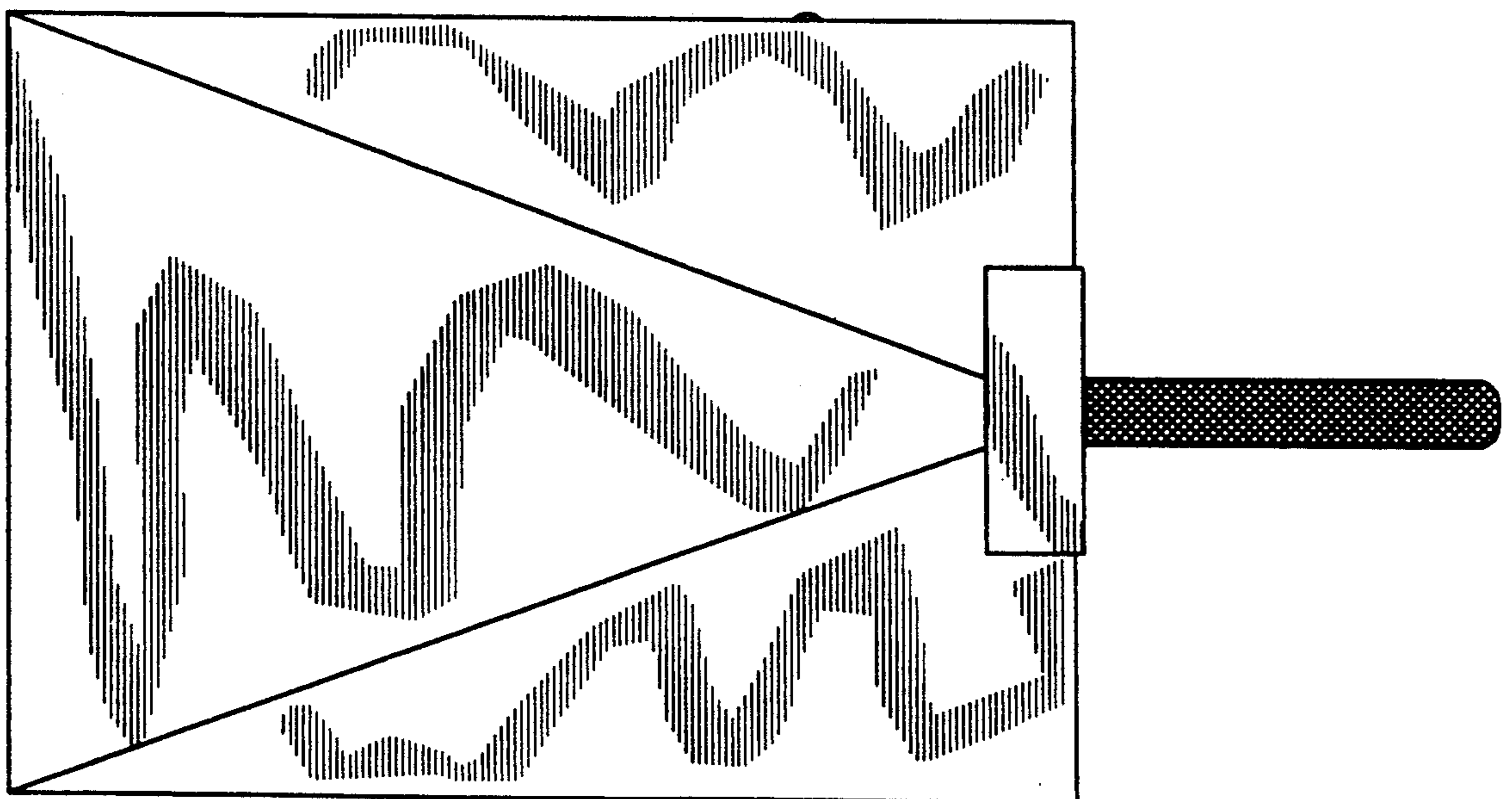


FIG. 7

