



US00D339436S

United States Patent [19]

[11] Patent Number: Des. 339,436

Craft, Jr. et al.

[45] Date of Patent: ** Sep. 14, 1993

[54] UTILITY TUB

[75] Inventors: Charles W. Craft, Jr., Apple Creek; John L. Hradisky, Medina, both of Ohio

[73] Assignee: Rubbermaid Incorporated, Wooster, Ohio

[**] Term: 14 Years

[21] Appl. No.: 774,056

[22] Filed: Sep. 30, 1991

[52] U.S. Cl. D32/53; D34/1; D34/40

[58] Field of Search D9/424-425; D32/53, 53.1; D34/1, 40, 42-44; 15/264; 206/505-507, 510, 518-520; 220/904, 908, DIG. 12-DIG. 14

[56] References Cited

U.S. PATENT DOCUMENTS

D. 246,872	1/1978	White	D34/40
D. 296,948	7/1988	Fuller	D32/53
D. 302,774	8/1989	Murphy	D7/629
D. 326,345	5/1992	Mandell et al.	D34/40
D. 327,555	6/1992	Juergens	D34/1
2,599,727	6/1952	Schmidt	206/519 X
3,450,326	6/1969	Foote	D9/425 X

OTHER PUBLICATIONS

Page 19, Utility tubs and dishpans, Tucher Housewares, 25 Tucker Drive, Leominster, Massachusetts 01469, Publication date 1986.

Pages 33 and 35, Storage containers and crates, Tucker Housewares, 25 Tucker Drive, Leominster, Massachusetts 01469, Publication date 1986.

Catalog Page, Dishpans, Sterilite Corporation, 198

Main Street, P.O. Box 524, Townsend, Massachusetts 01469, Publication date 1989.

Sell Sheet, Muck Bucket, Fortiflex, Inc., G.P.O. Box 4523, San Juan, Puerto Rico 00936, Publication date 1985.

Pages 4 and 10, tubs and boxes, Dupol-Rubbermaid GmbH, Ander Trift 63, D-6072 Dreieich, Germany, Publication date 1989.

Pages 22 and 33, Dishpans & tubs, Rubbermaid Incorporated, 1147 Akron Road, Wooster, Ohio 44691, Publication date 1988.

Page 28, Storage Container, Rubbermaid Incorporated, 1147 Akron Road, Wooster, Ohio 44691, Publication date 1988.

Page 4, Food Storage Boxes, Rubbermaid Commercial Products, Inc., 3124 Valley Avenue, Winchester, Virginia 22601, Publication date 1989.

Page 3, Utility Tub and Dish Pan, Ingrid Housewares, Price Catalog, 360 North Skokie Highway, North Chicago, Illinois 60064, Publication date Jan. 1990.

Primary Examiner—Wallace R. Burke

Assistant Examiner—Lavone D. Tabor

Attorney, Agent, or Firm—Richard B. O'Planick; Lisa B. Riedesel

[57] CLAIM

The ornamental design for an utility tub, as shown and described.

DESCRIPTION

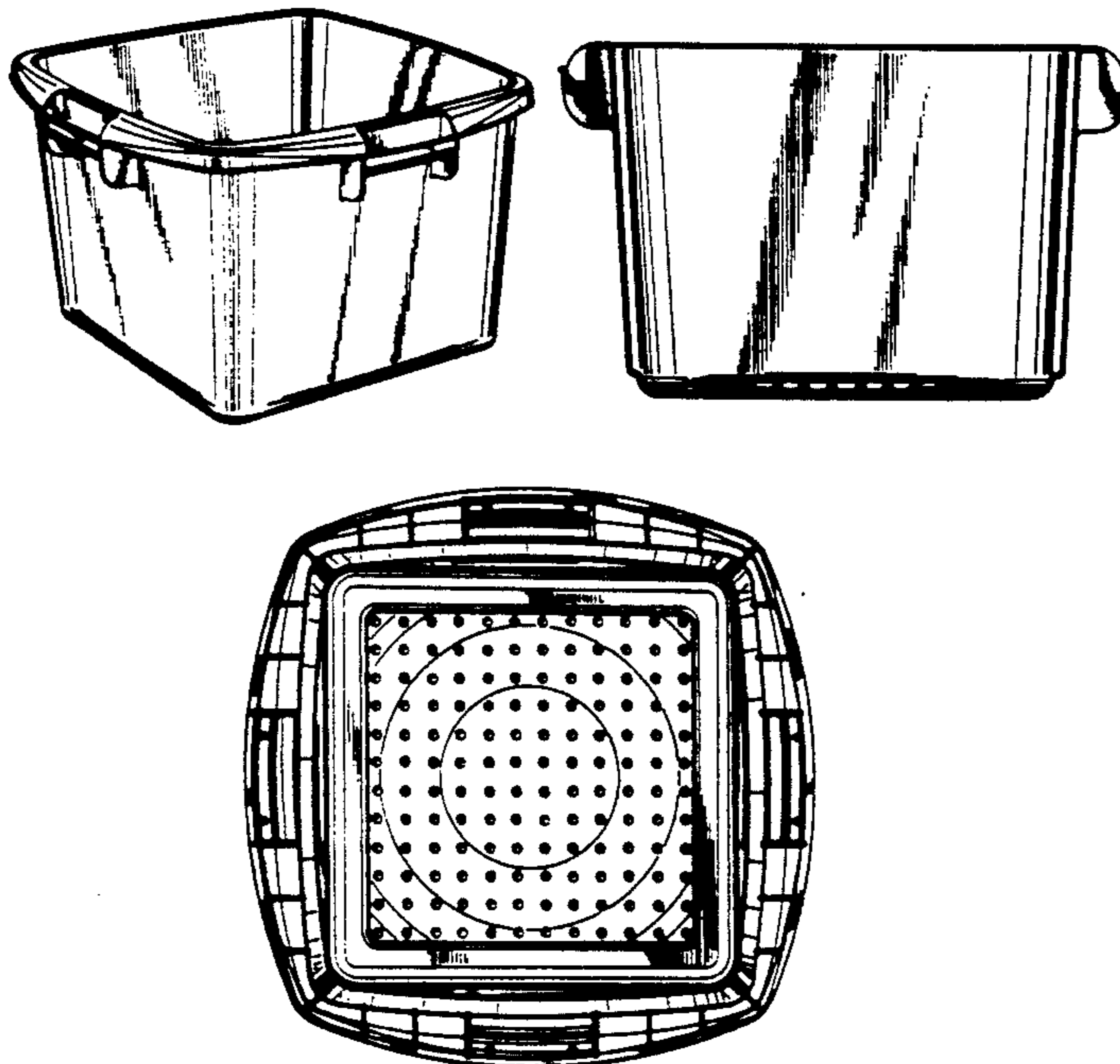
FIG. 1 is a top, left side, and front perspective view of an utility tub showing our new design;

FIG. 2 is a top plan view thereof;

FIG. 3 is a bottom plan view thereof;

FIG. 4 is a front elevational view thereof; the rear and side views being mirror images; and,

FIG. 5 is a cross-sectional view of the utility tub as shown in FIG. 2 and taken along line 5—5.



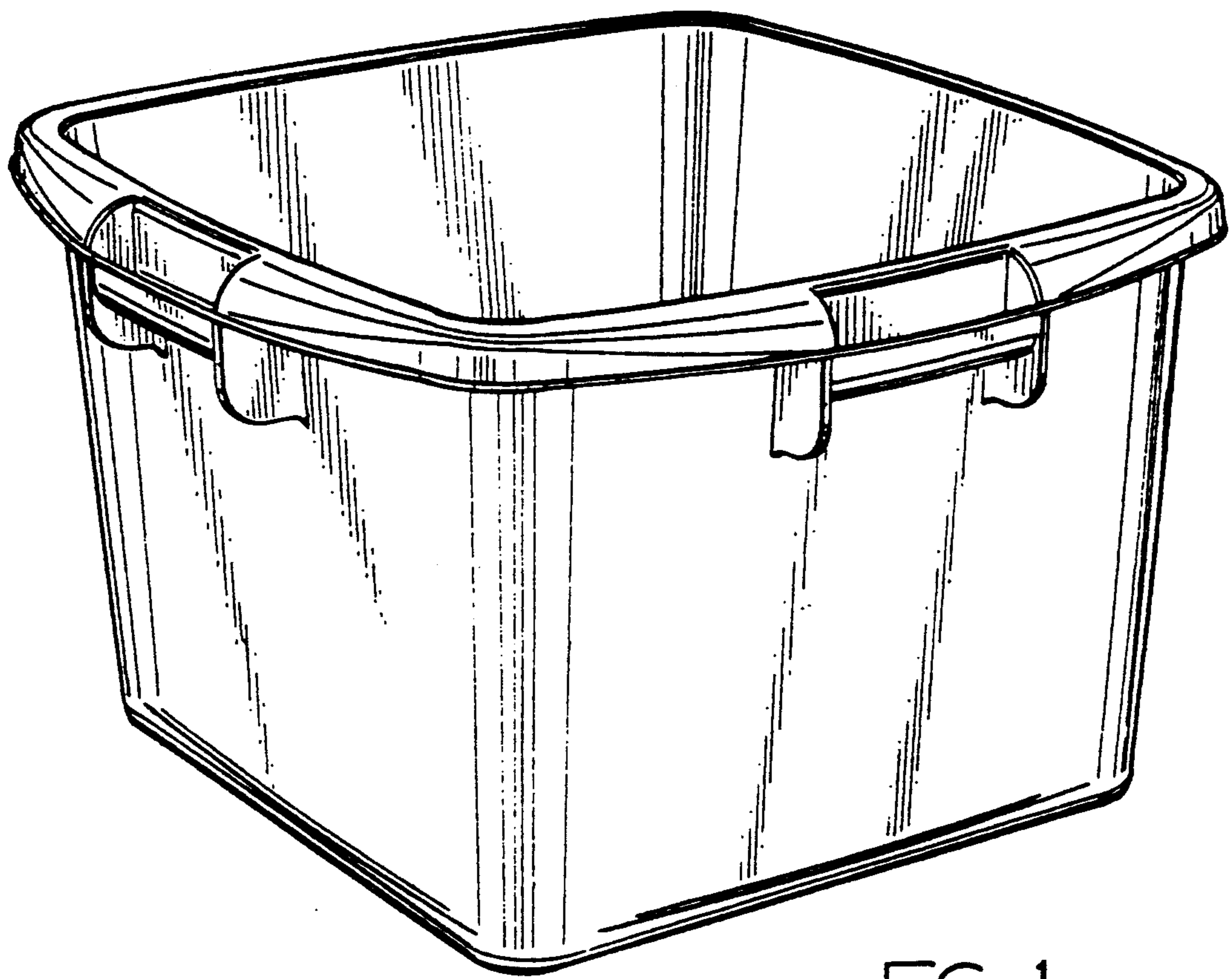


FIG. 1

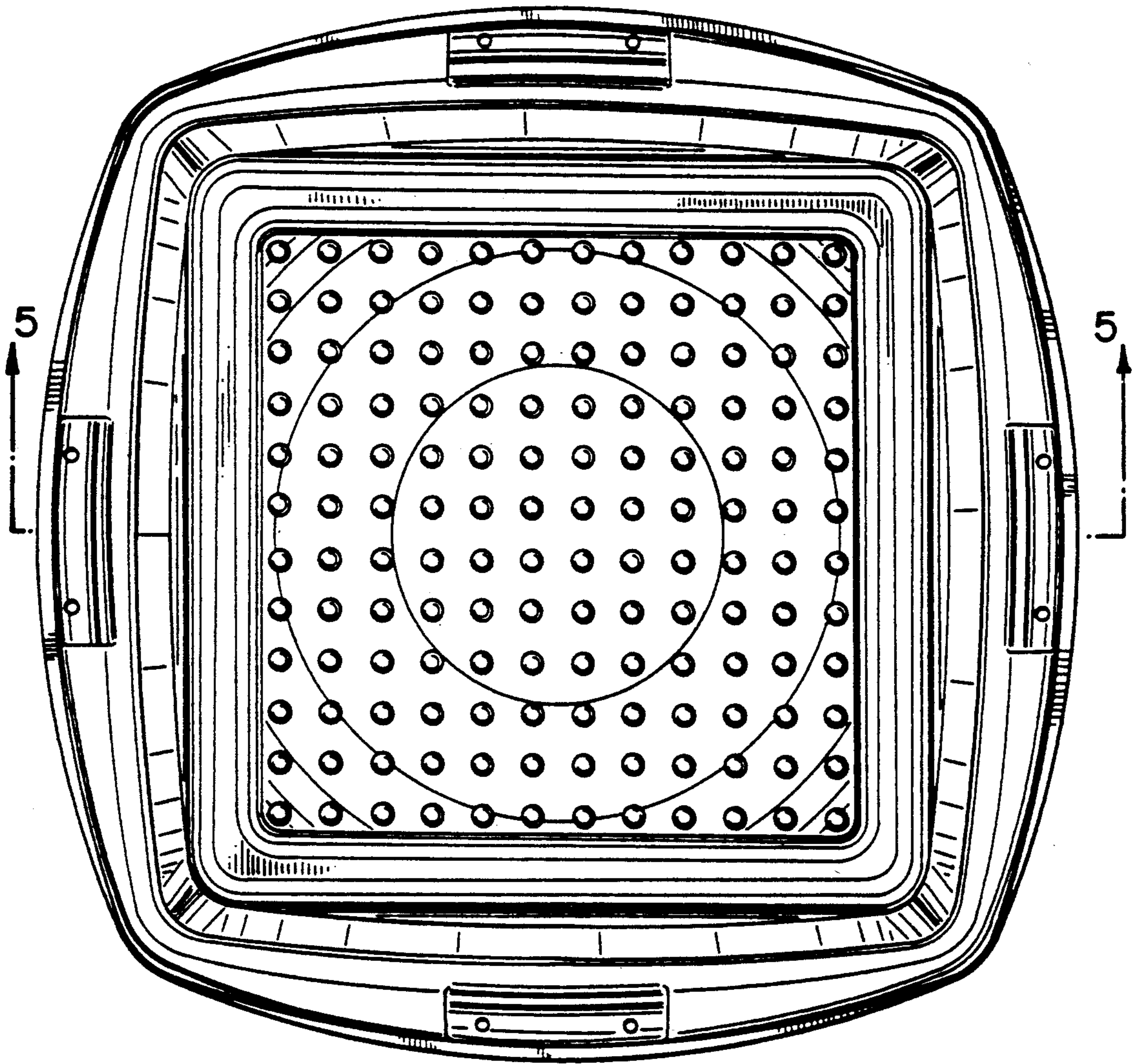


FIG. 2

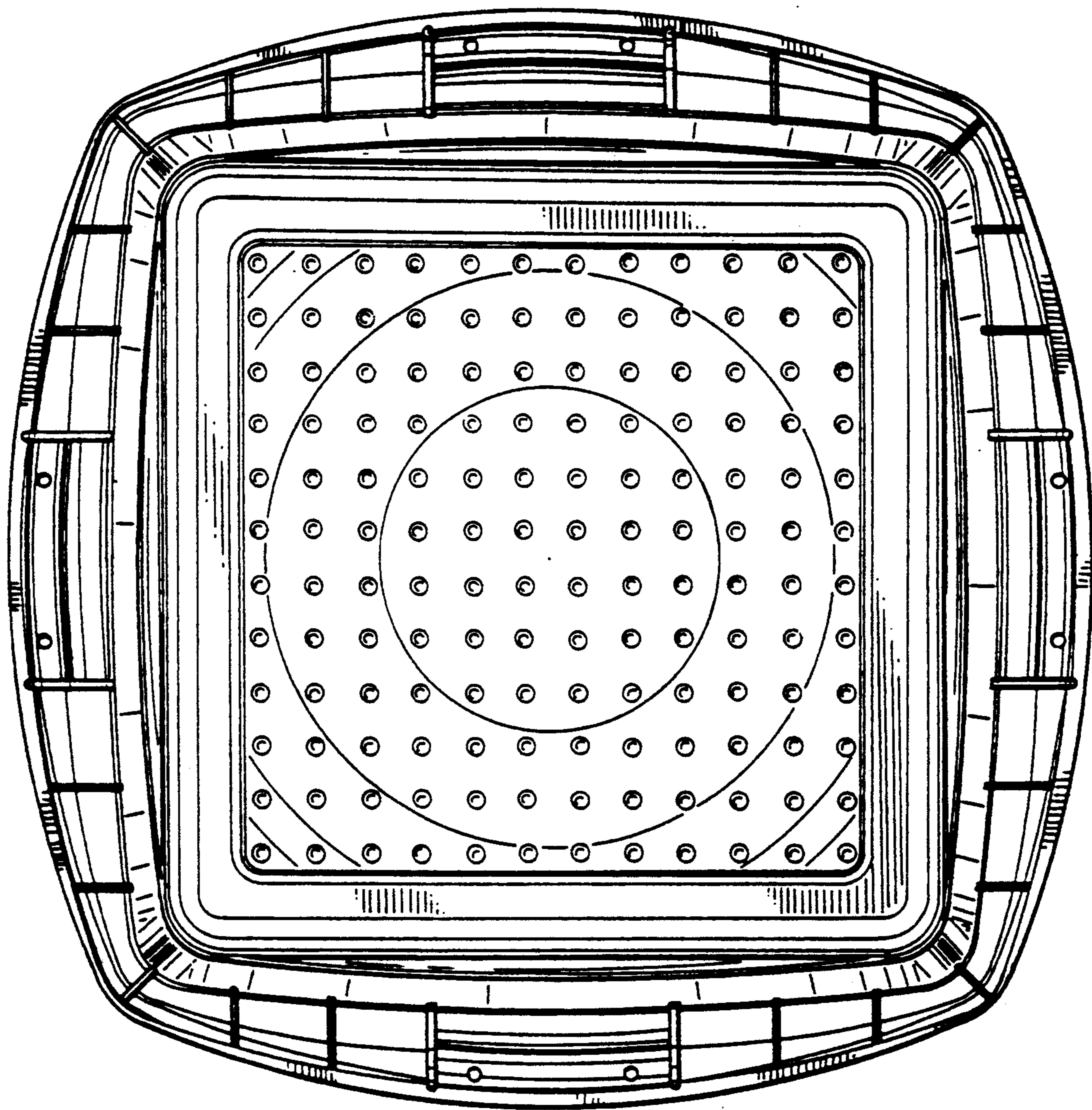


FIG. 3

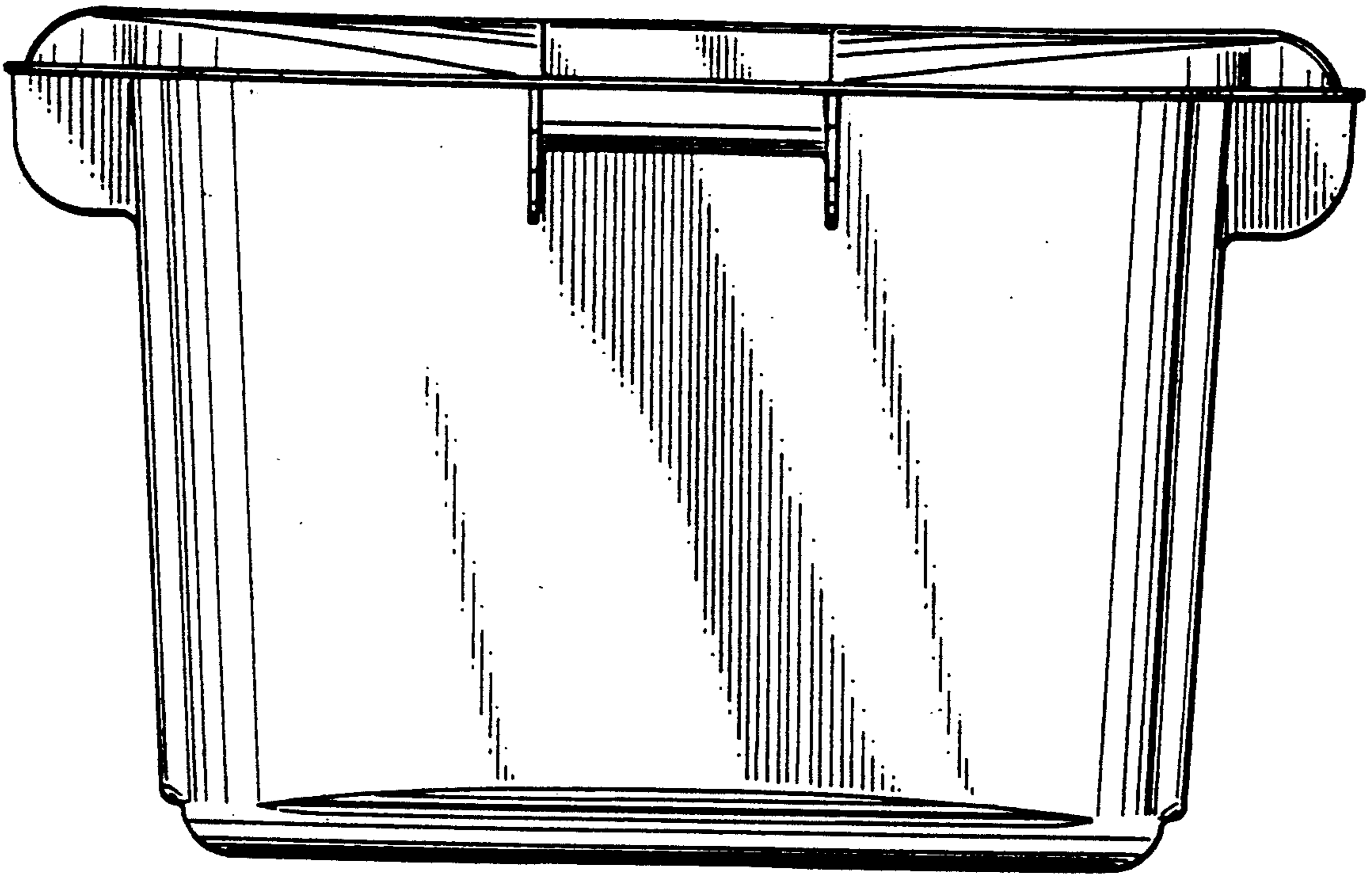


FIG. 4

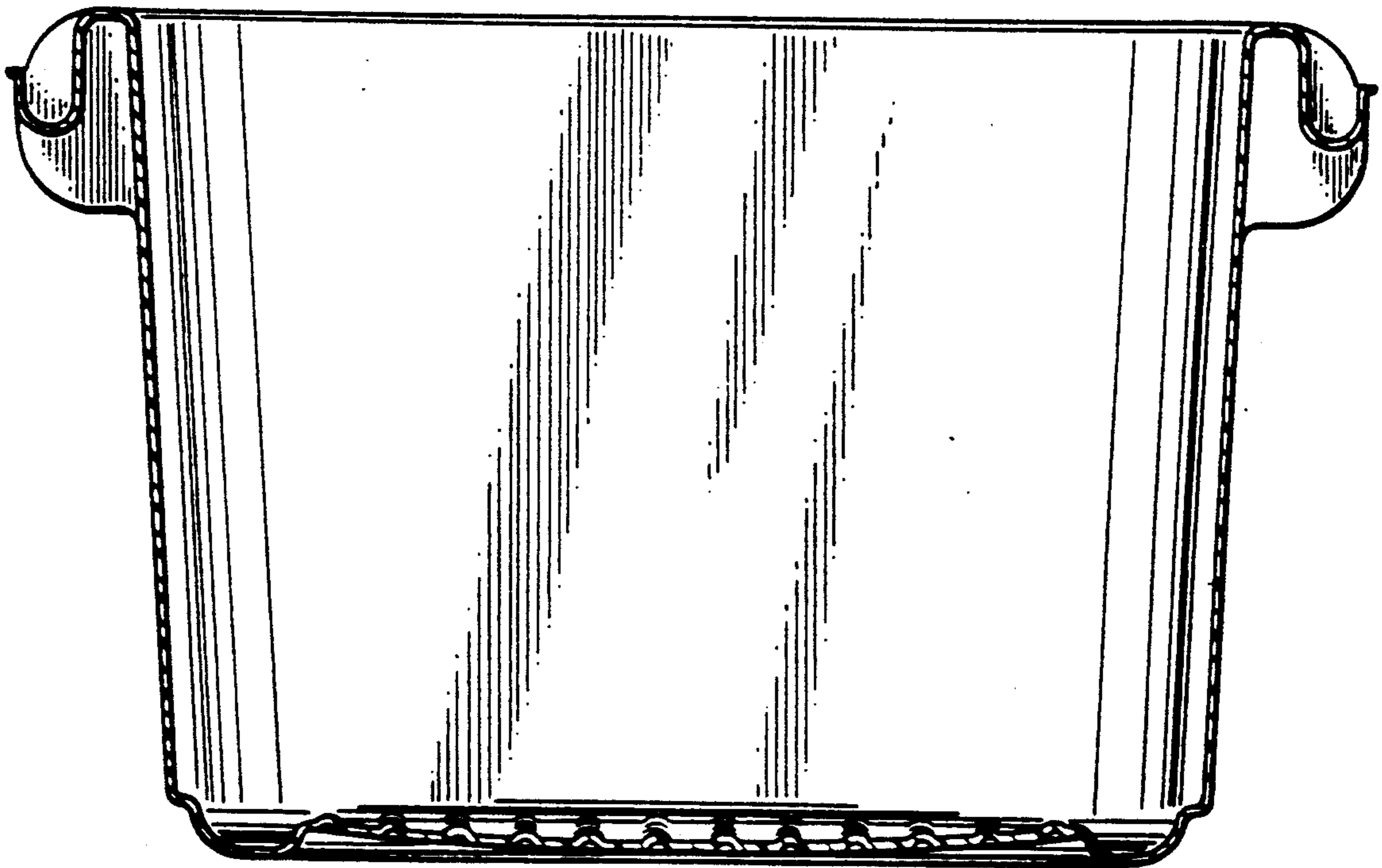


FIG. 5