



US00D339434S

# United States Patent [19]

Shero

[11] Patent Number: **Des. 339,434**

[45] Date of Patent: **\*\* Sep. 14, 1993**

[54] **IN-LINE HEATER FOR HOT WATER  
CARPET CLEANING EXTRACTORS**

[76] Inventor: **William K. Shero, 17287 Mt.  
Herrmann, Unit A, Fountain Valley,  
Calif. 92708**

[\*\*] Term: **14 Years**

[21] Appl. No.: **724,961**

[22] Filed: **Jun. 2, 1991**

[52] U.S. Cl. .... **D32/31**

[58] Field of Search ..... **D32/1, 25, 31; D15/7,  
D15/9; D23/314, 323, 415, 417; 392/441, 444,  
447, 465, 480, 482, 483, 485**

[56] **References Cited**

**U.S. PATENT DOCUMENTS**

D. 293,711 1/1988 Hart ..... D23/314  
D. 307,017 4/1990 Polk et al. .... D15/7  
4,910,828 3/1990 Blase et al. .... 15/323

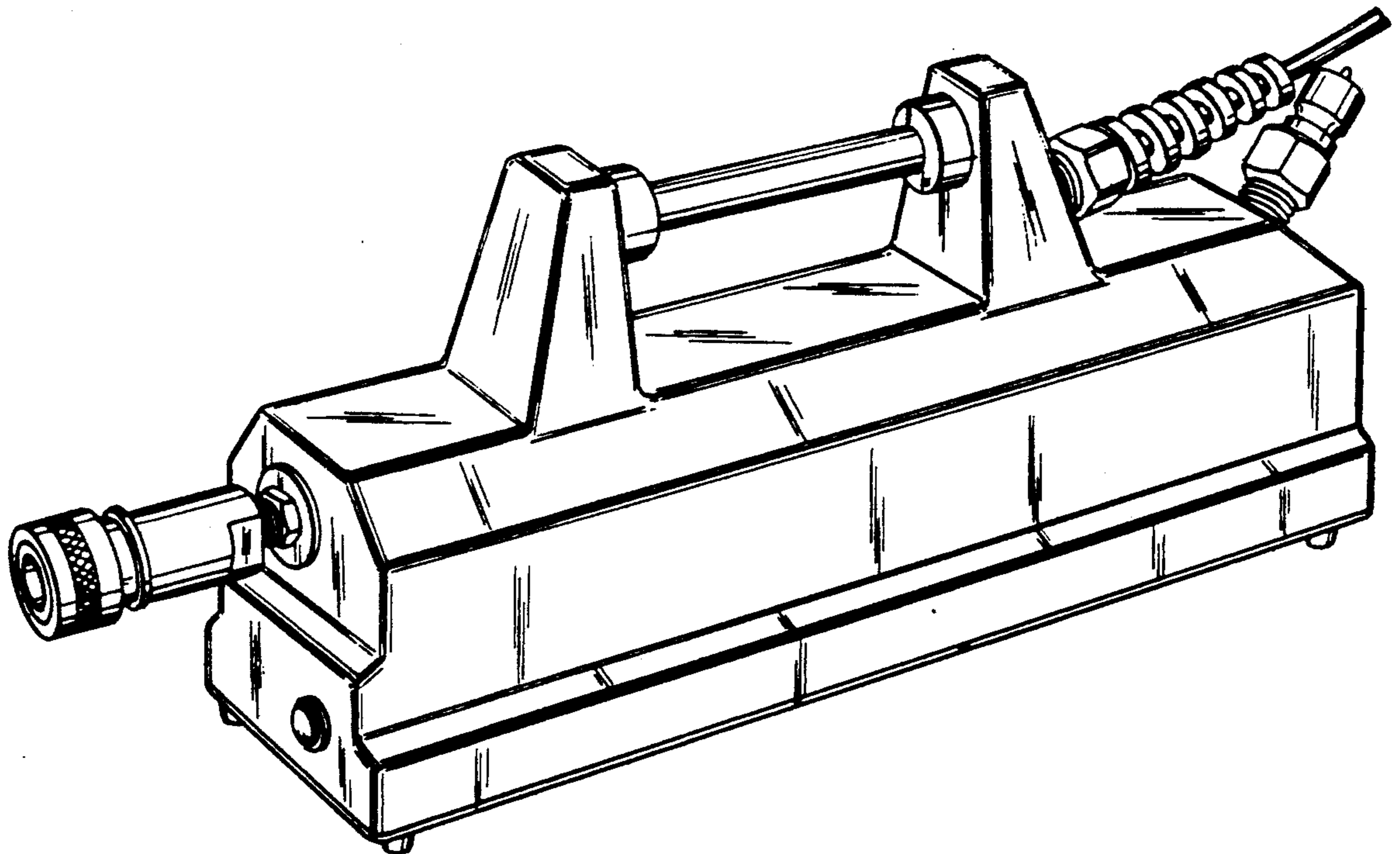
*Primary Examiner—Ruth McInroy  
Attorney, Agent, or Firm—Stetina and Brunda*

[57] **CLAIM**

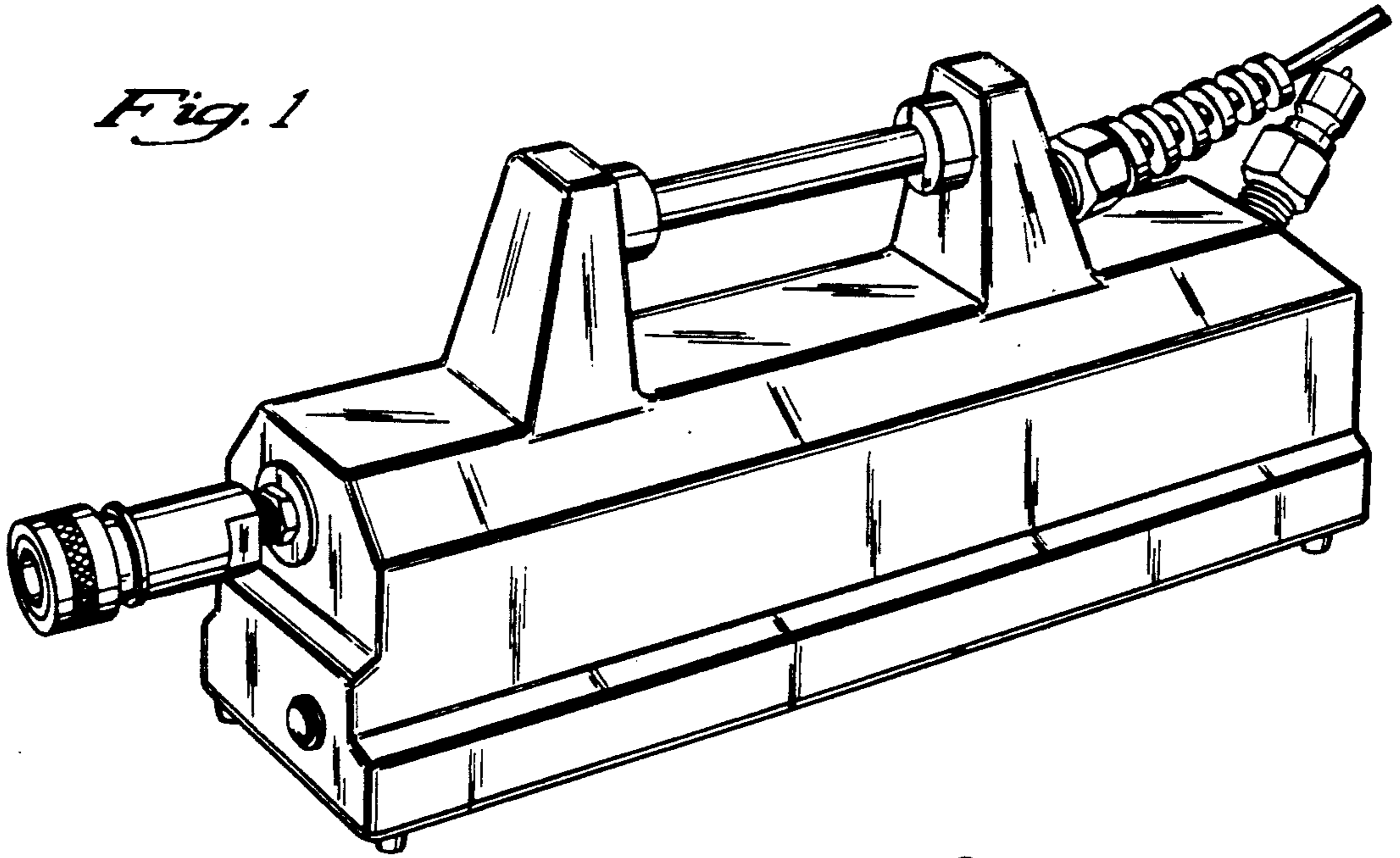
The ornamental design for an in-line heater for hot water carpet cleaning extractors, as shown and described.

**DESCRIPTION**

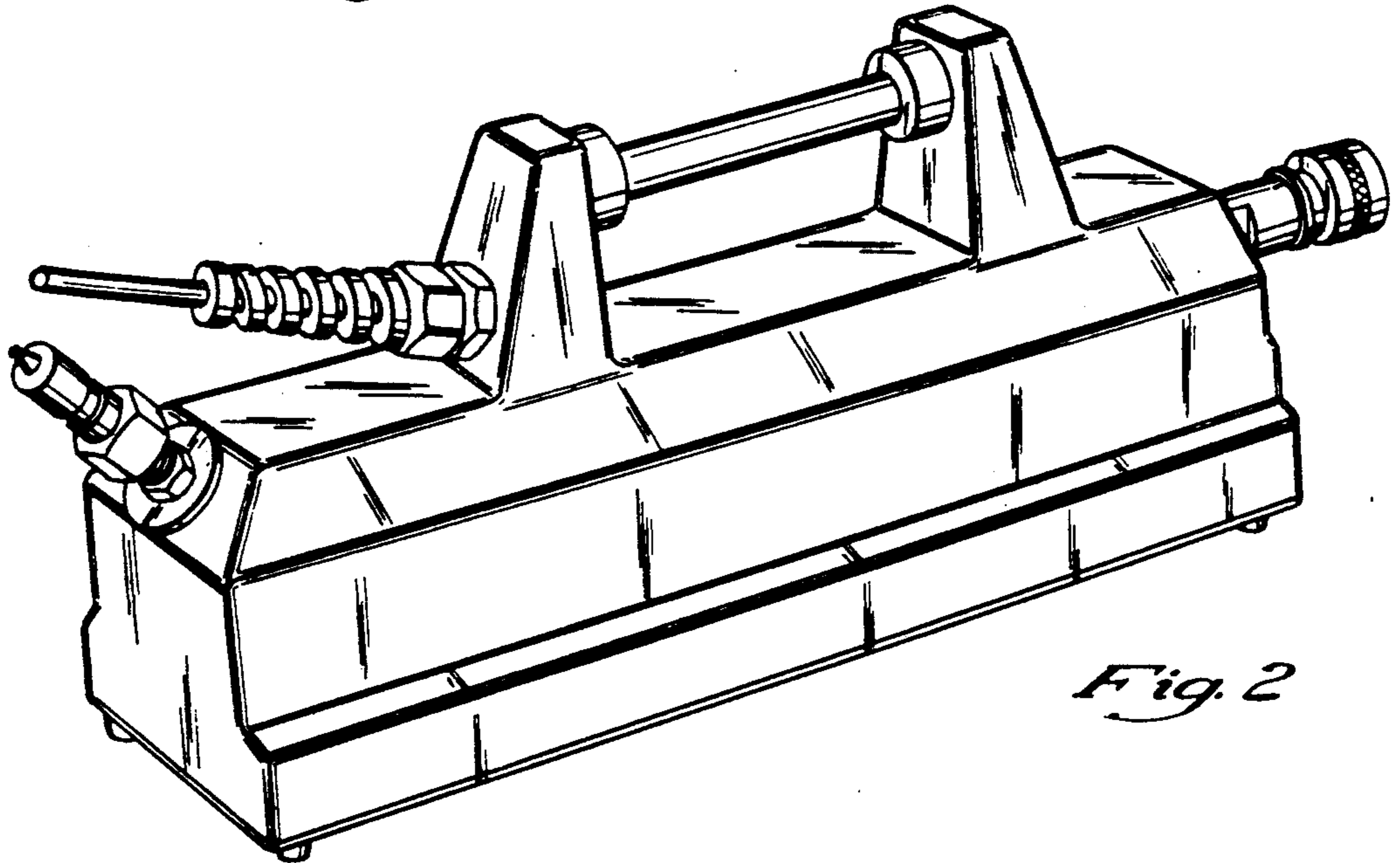
FIG. 1 is a front perspective view of an in-line heater for hot water carpet cleaning extractors showing my new design;  
FIG. 2 is a rear perspective view thereof; and,  
FIG. 3 is a side elevational view thereof.



*Fig. 1*



*Fig. 2*



*Fig. 3*

