



US00D339431S

United States Patent [19]

[11] Patent Number: **Des. 339,431**

Meyer

[45] Date of Patent: **** Sep. 14, 1993**

[54] **AUGER PLUMBING TOOL HOUSING**

[75] Inventor: **Fred J. Meyer**, North Miami Beach, Fla.

[73] Assignee: **Jones Manufacturing Company, Inc.**, Birmingham, Ala.

[**] Term: **14 Years**

[21] Appl. No.: **529,260**

[22] Filed: **May 29, 1990**

[52] U.S. Cl. **D32/14**

[58] Field of Search **D32/14; D8/51; 15/104.31, 104.32, 104.33**

D. 312,713	12/1990	Levine	D32/14
2,284,939	6/1942	Asnard	15/104.33
2,482,345	9/1949	Kincaid	15/104.33
2,661,489	12/1952	Rudolph et al.	15/104.33
3,268,937	8/1966	Bollinger	D32/14
4,340,988	7/1982	Shames et al.	15/104.33
4,706,321	11/1987	Kaye	15/104.33

Primary Examiner—Bernard Ansher

Assistant Examiner—P. Hyder

[57] **CLAIM**

The ornamental design for an auger plumbing tool housing, as shown.

DESCRIPTION

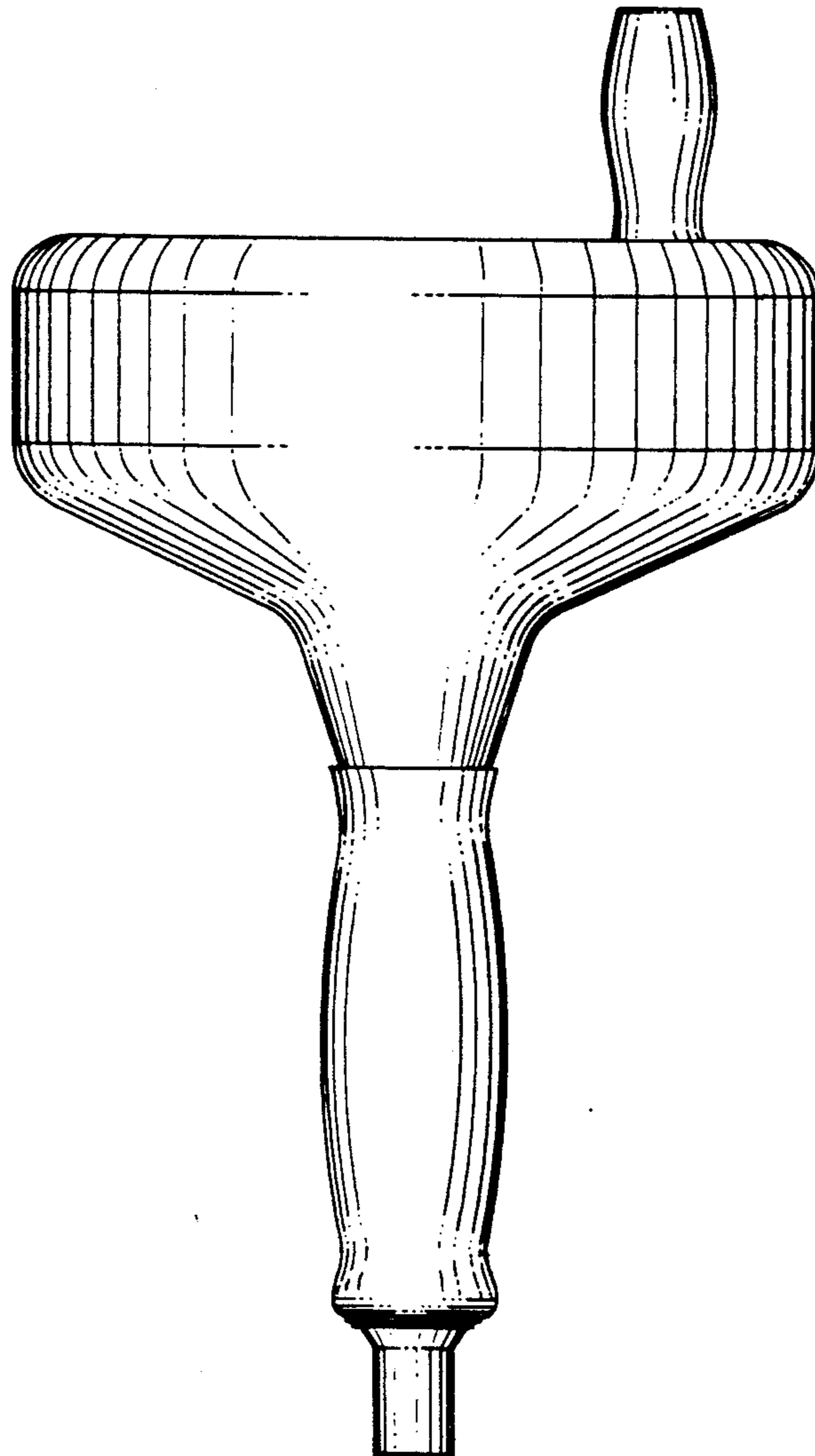
FIG. 1 is a front elevational view of an auger plumbing tool housing showing my new design; FIG. 2 is a top plan view thereof; FIG. 3 is a bottom plan view thereof; and, FIG. 4 is a side elevational view thereof, the opposite side being a mirror image.

[56]

References Cited

U.S. PATENT DOCUMENTS

D. 189,445	12/1960	Levine	D32/14
D. 281,918	12/1985	Levine	D32/14
D. 307,496	4/1990	Moss	D32/14
D. 311,076	10/1990	Kaye	D32/14



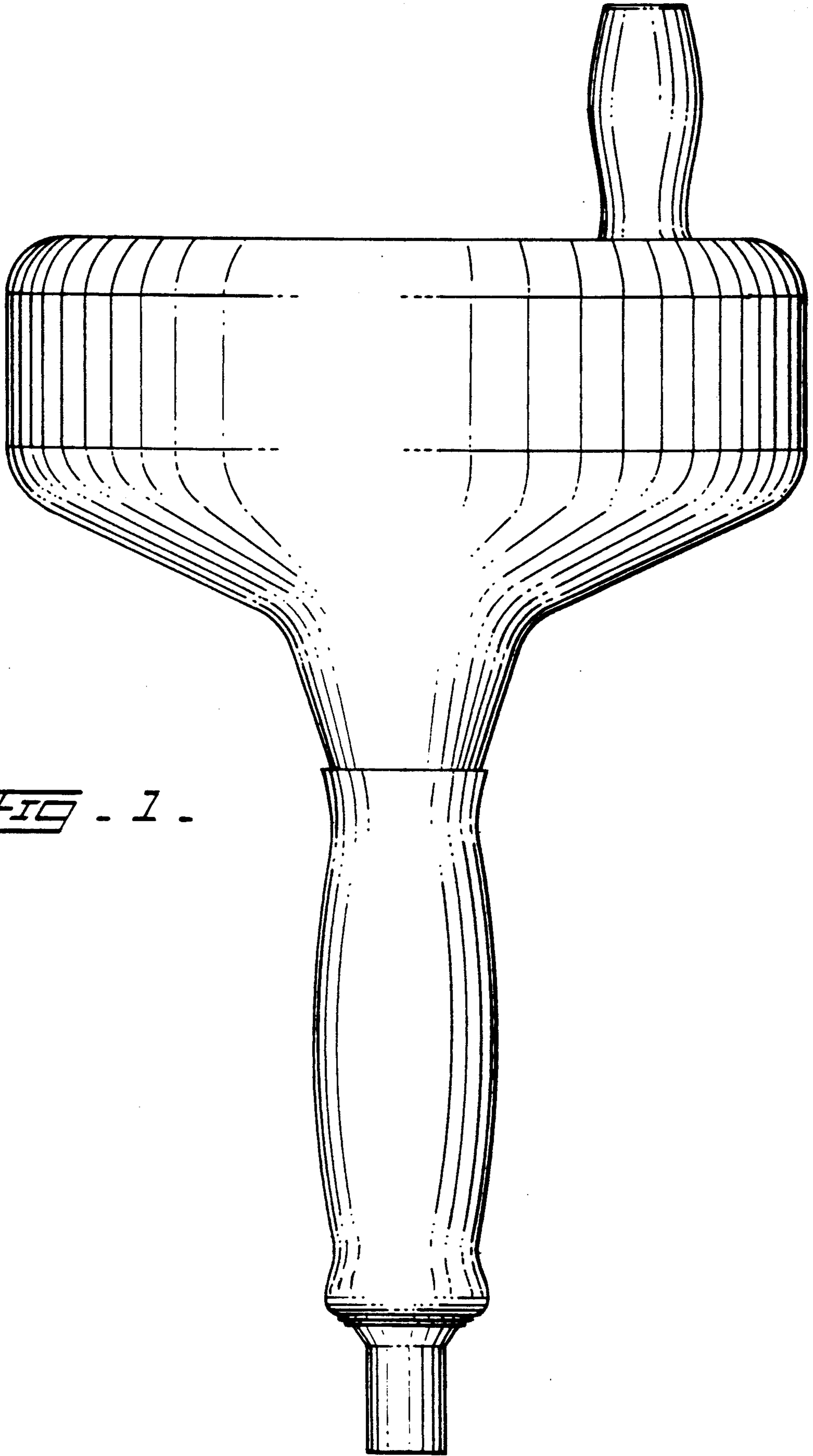


FIG. 1.

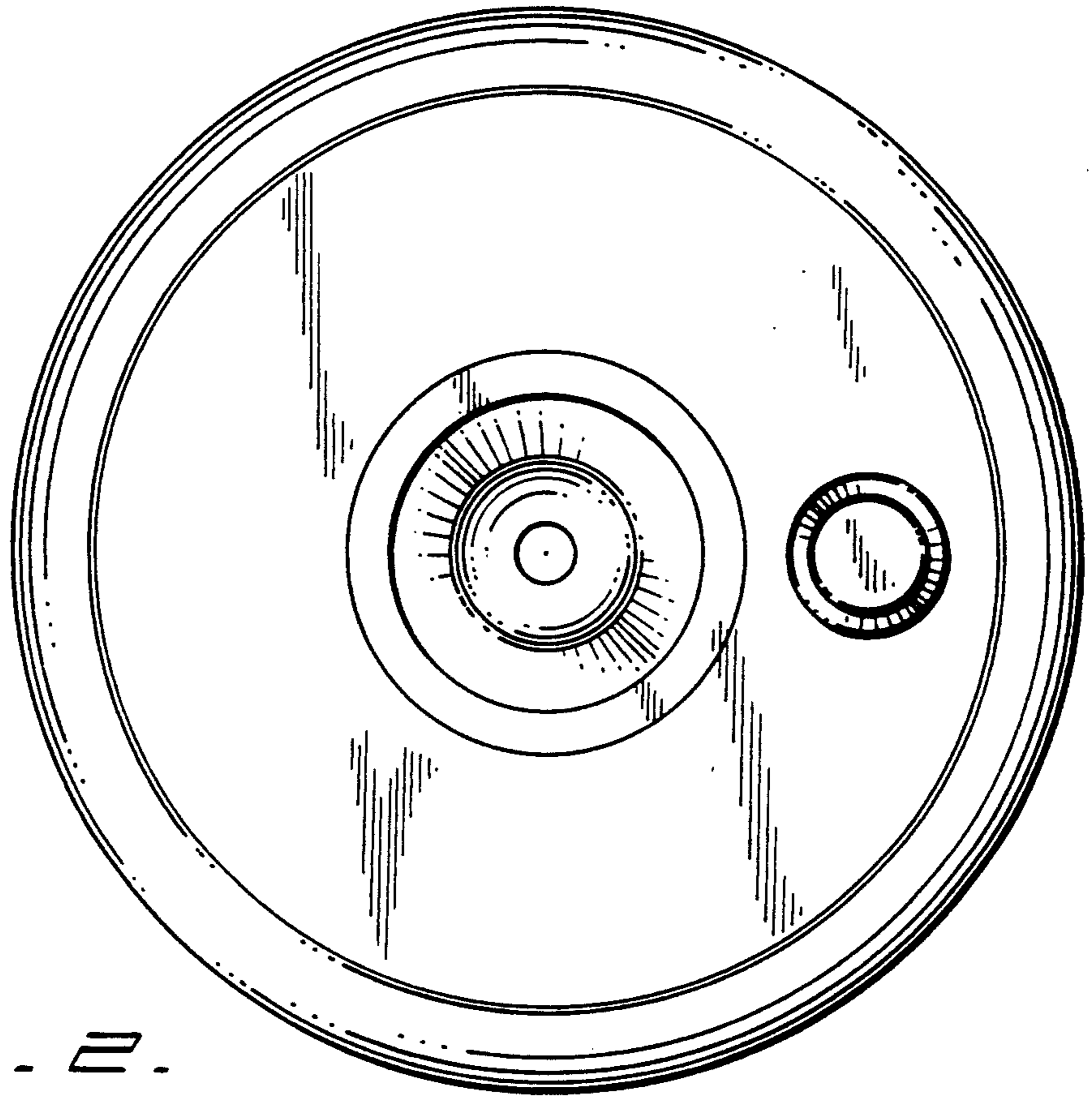


FIG. 2.

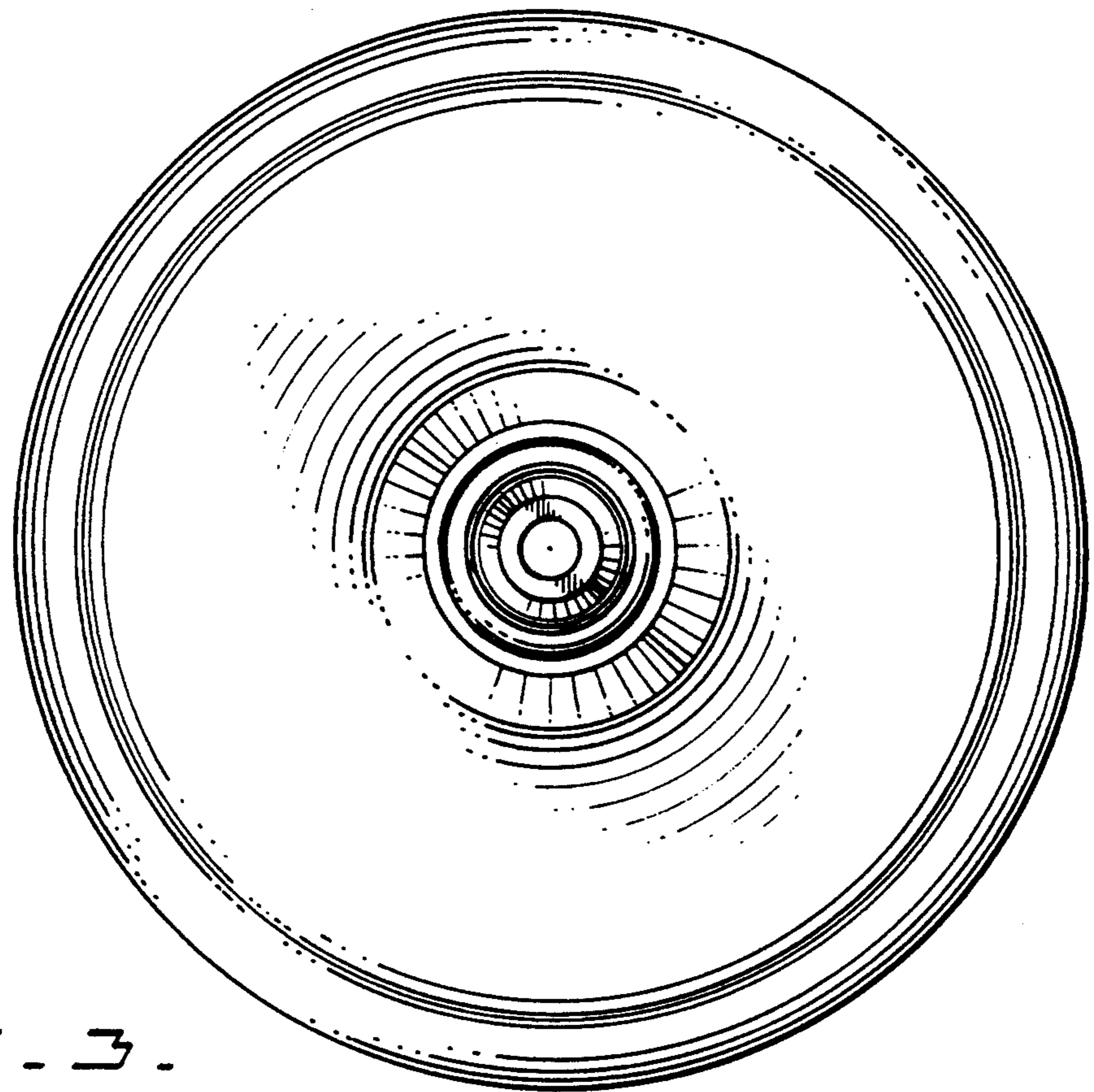


FIG. 3.

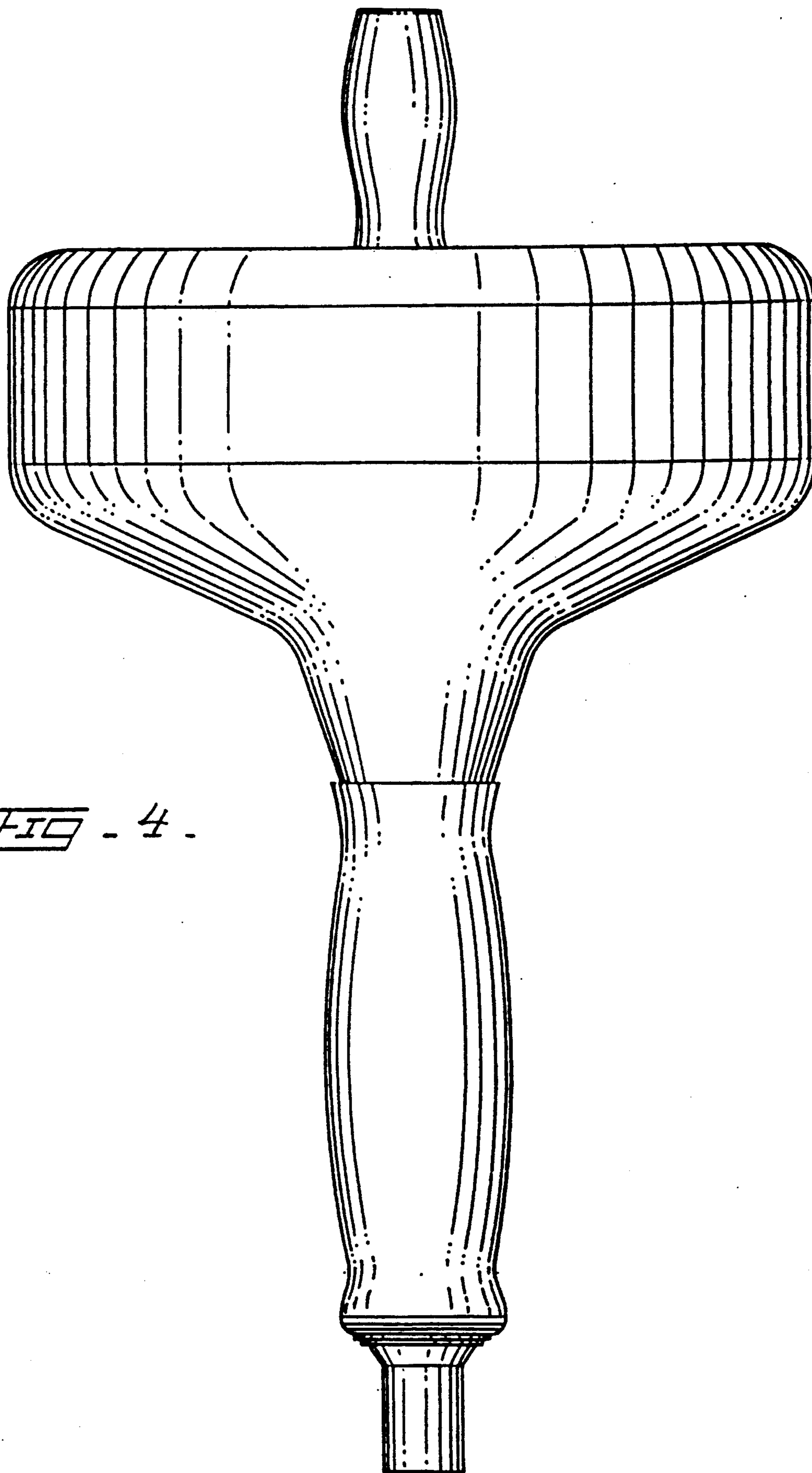


FIG - 4 -